

[54] SEWING MACHINE

[75] Inventor: Yoshiaki Eguchi, Kodaira, Japan

[73] Assignee: Janome Sewing Machine Co. Ltd., Tokyo, Japan

[**] Term: 14 Years

[21] Appl. No.: 903,115

[22] Filed: Sep. 2, 1986

[52] U.S. Cl. D15/69

[58] Field of Search D15/66, 68-76; 112/63, 258-261

D. 289,654 5/1987 Uchida D15/69
D. 292,588 11/1987 Uchida D15/69
D. 296,558 7/1988 Yoneda D15/69

Primary Examiner—James R. Largen
Assistant Examiner—Ruth Takemoto
Attorney, Agent, or Firm—Michael J. Striker

[57] CLAIM

The ornamental design for a sewing machine, as shown and described.

DESCRIPTION

FIG. 1 is a front elevational view of a sewing machine showing my new design;
FIG. 2 is a rear elevational view thereof;
FIG. 3 is a left side elevational view thereof;
FIG. 4 is a right side elevational view thereof;
FIG. 5 is a top plan view thereof; and
FIG. 6 is a bottom plan view thereof.

- [56] References Cited
- U.S. PATENT DOCUMENTS
- D. 280,826 10/1985 Kuroki D15/69
 - D. 281,429 11/1985 Kuroki D15/69
 - D. 289,403 4/1987 Yoneda D15/69

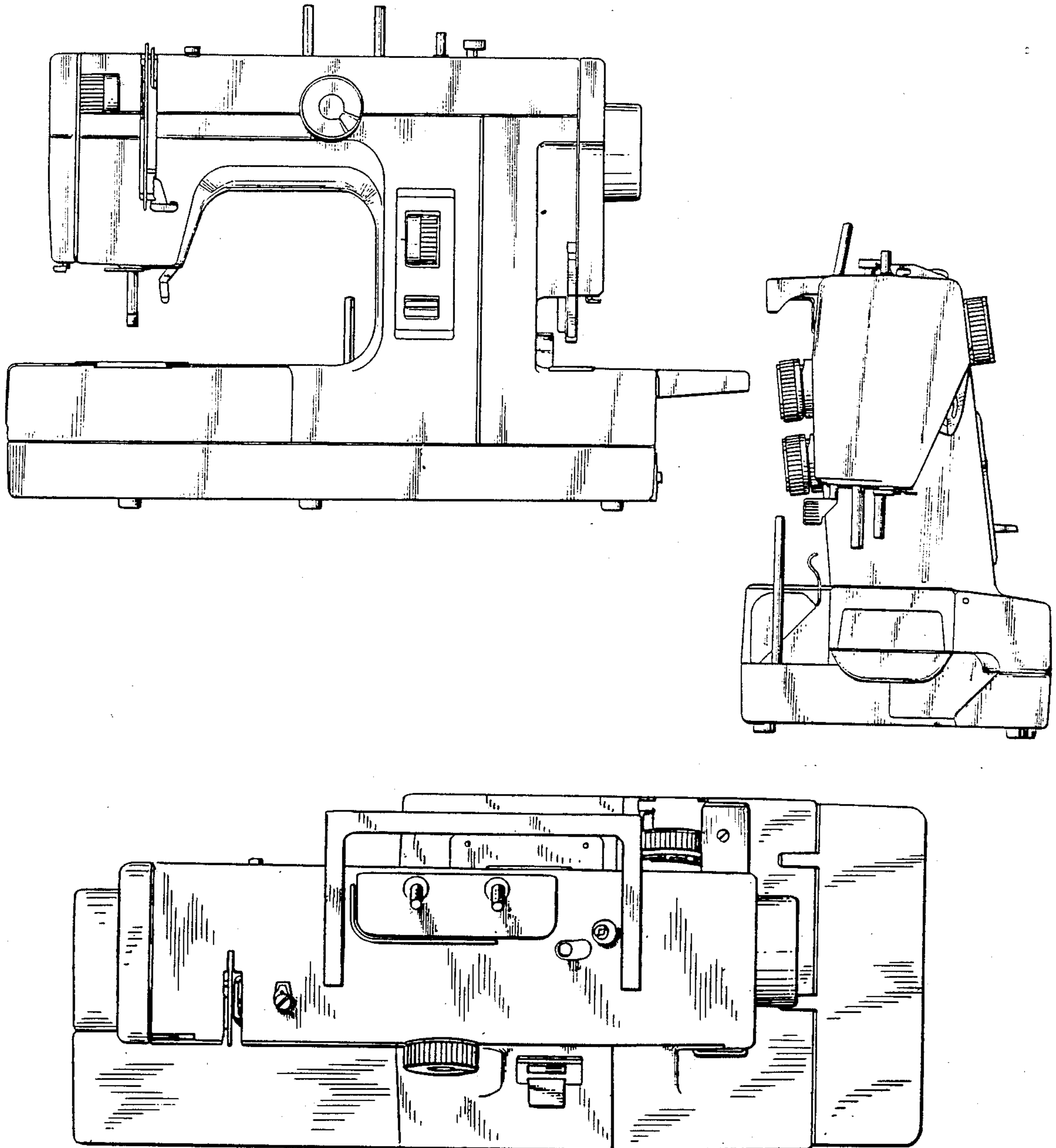


FIG. 1

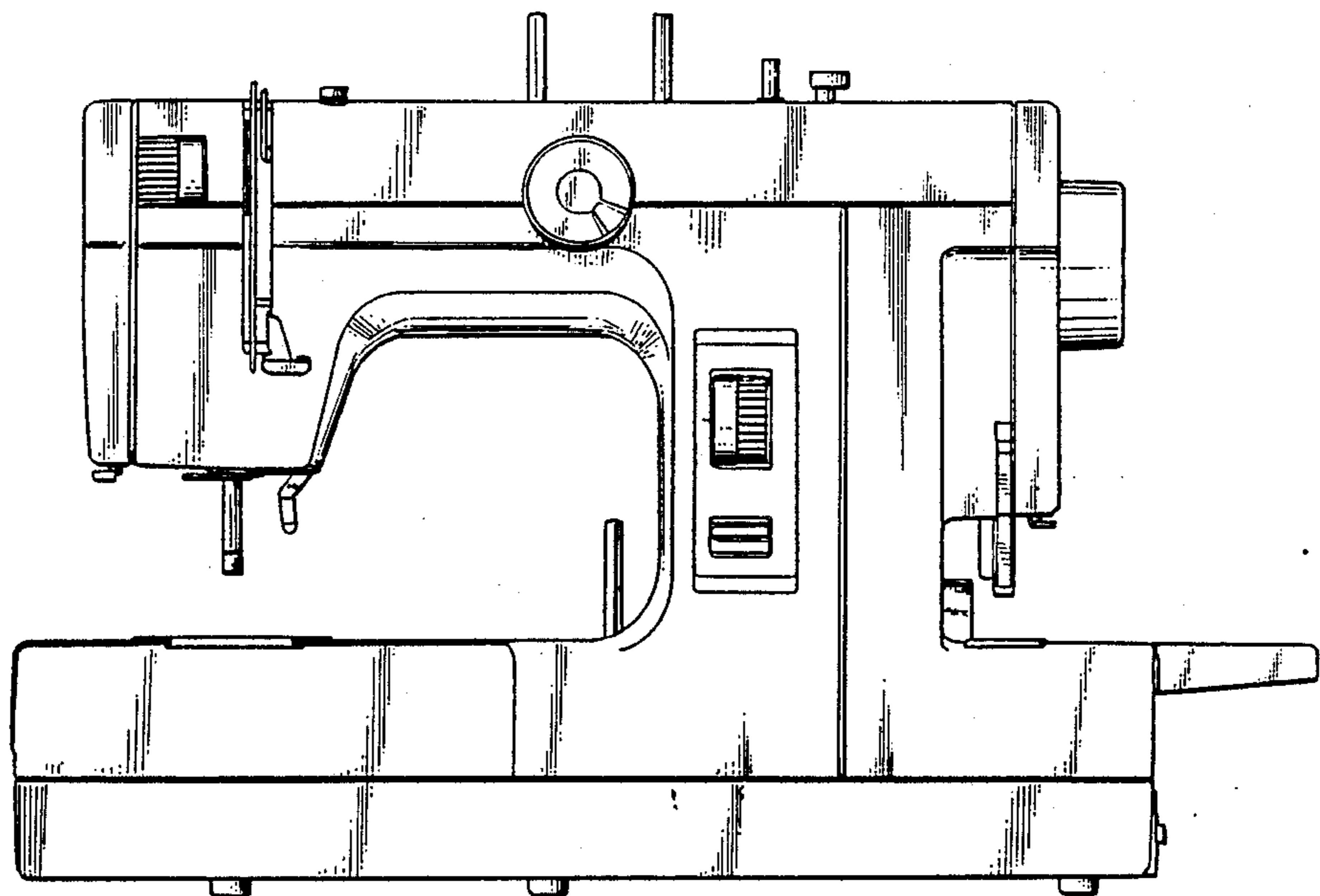
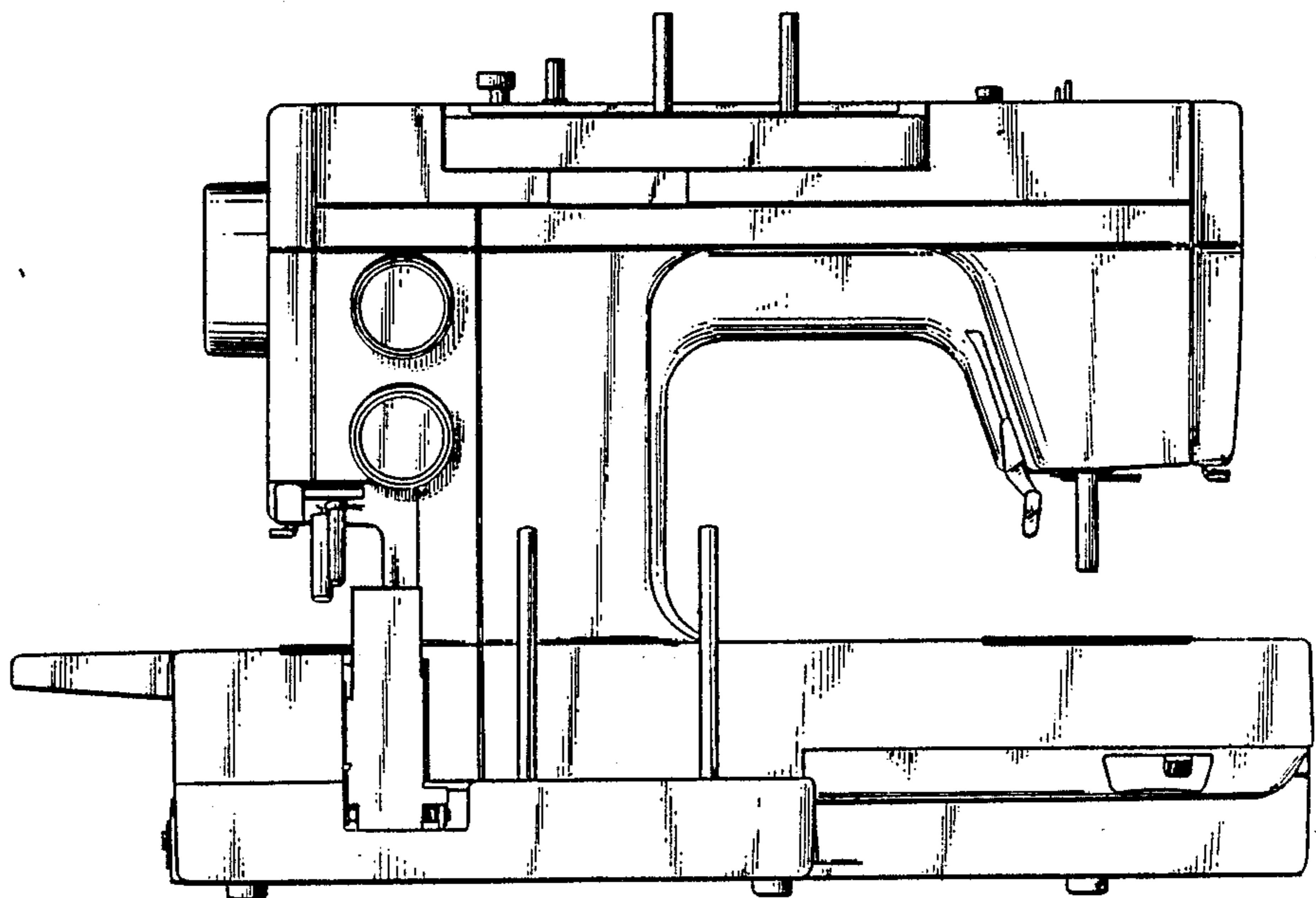
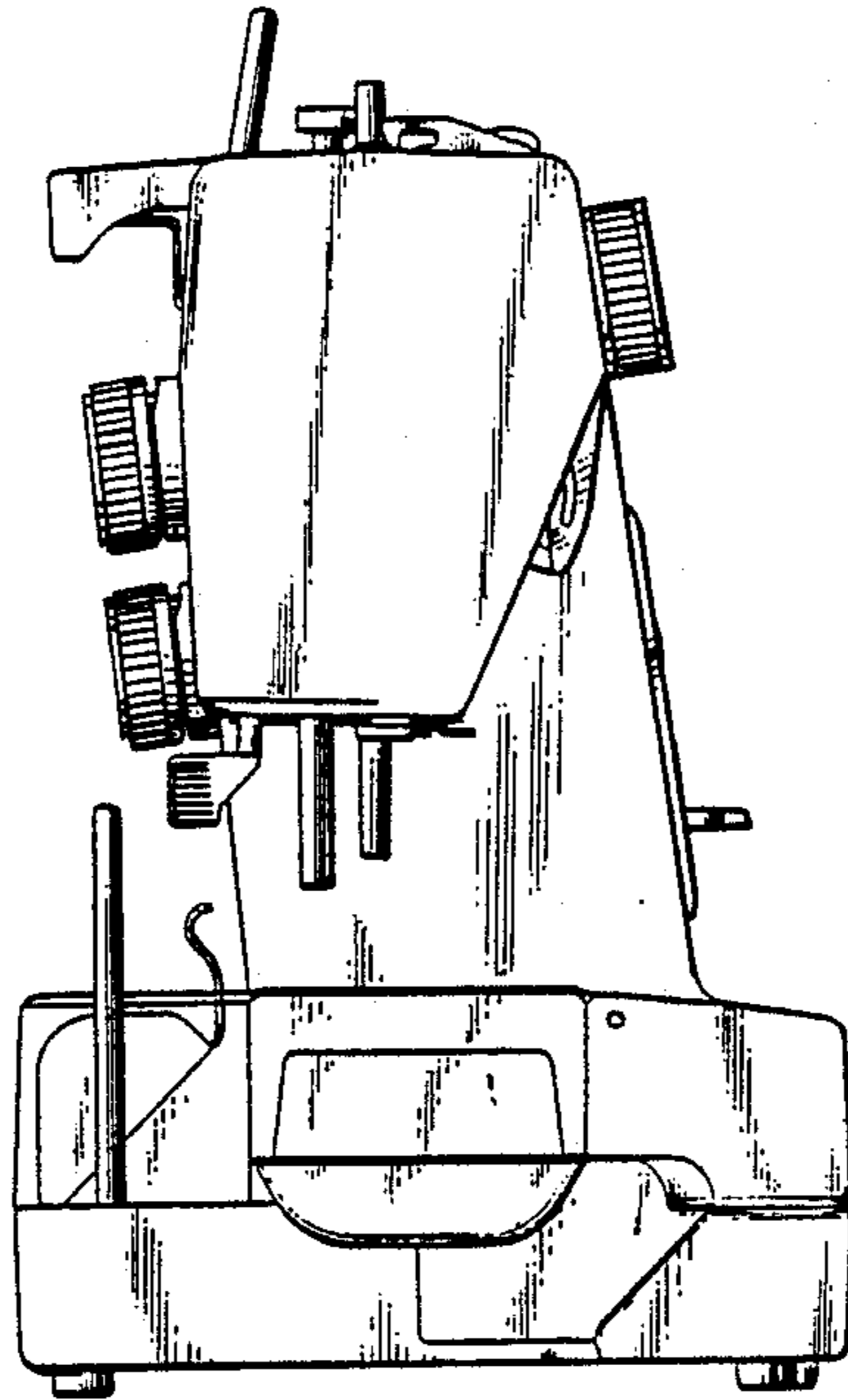


FIG. 2



FIG_3



FIG_4

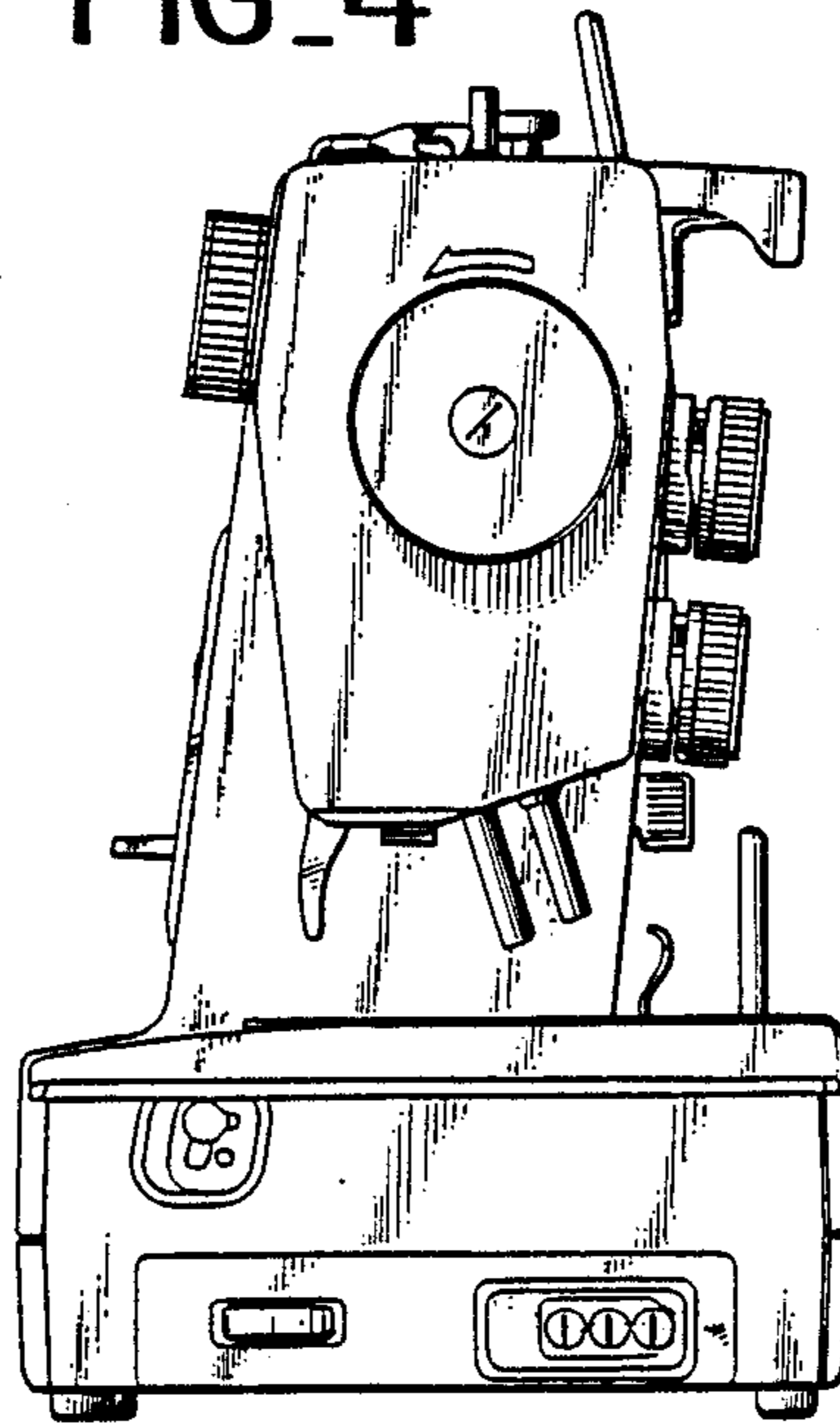


FIG. 5

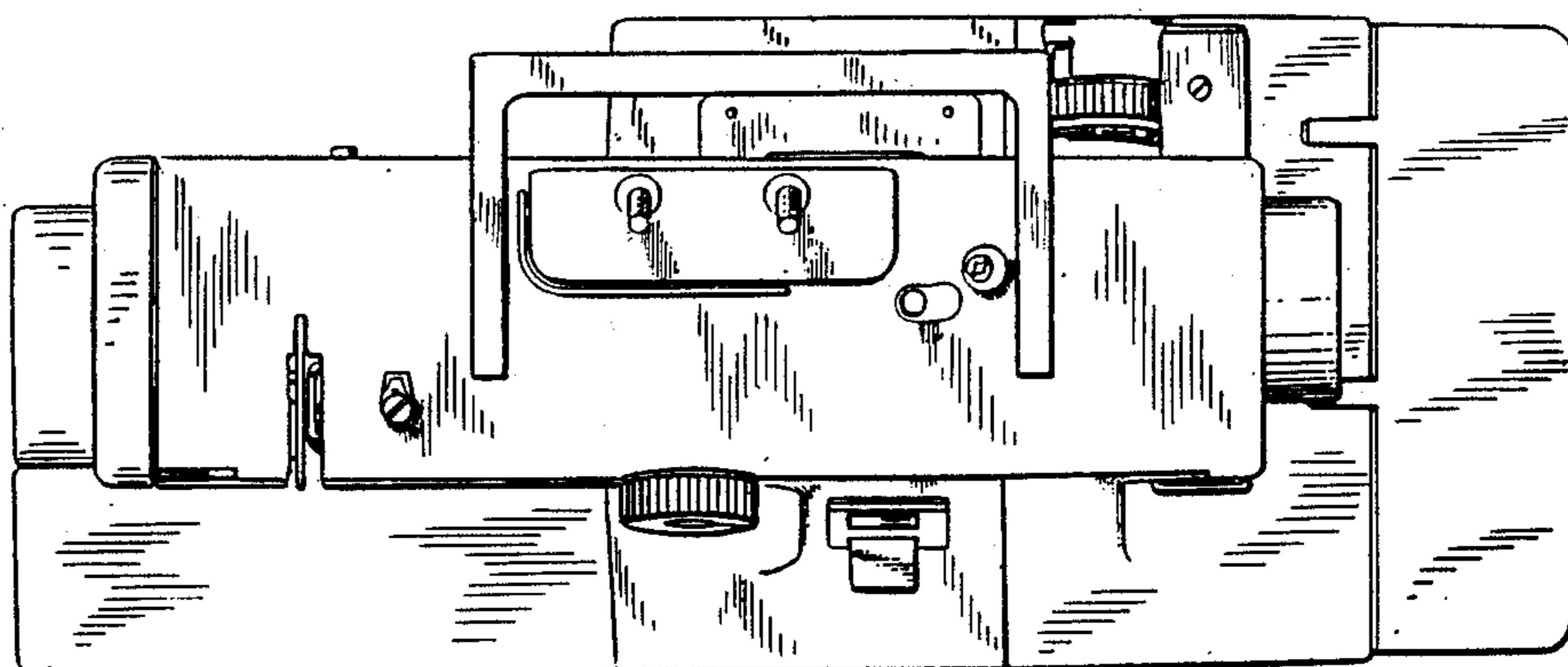


FIG. 6

