

[54] **LAWN MOWER SEAT**

[75] **Inventor: Lars-Goran Rosenblad, Huskvarna, Sweden**

[73] **Assignee: Western International Incorporated, Jackson, Tenn.**

[\*\*] **Term: 14 Years**

[21] **Appl. No.: 291,997**

[22] **Filed: Dec. 30, 1988**

[52] **U.S. Cl. .... D15/17; D6/356; D6/502**

[58] **Field of Search ..... D6/356, 502, 364; D15/14, 15, 16, 17; 297/183, DIG. 2, 454; 56/323**

[56] **References Cited**

**U.S. PATENT DOCUMENTS**

D. 192,421	3/1962	Bostrom .....	D6/375
D. 281,941	12/1985	Ambasz et al. ....	D6/502
D. 284,968	8/1986	Watanabe et al. ....	D15/15
D. 288,386	2/1987	Yorozu .....	D6/356

*Primary Examiner*—B. J. Bullock  
*Assistant Examiner*—Sandra Morris  
*Attorney, Agent, or Firm*—G. Brian Pingel

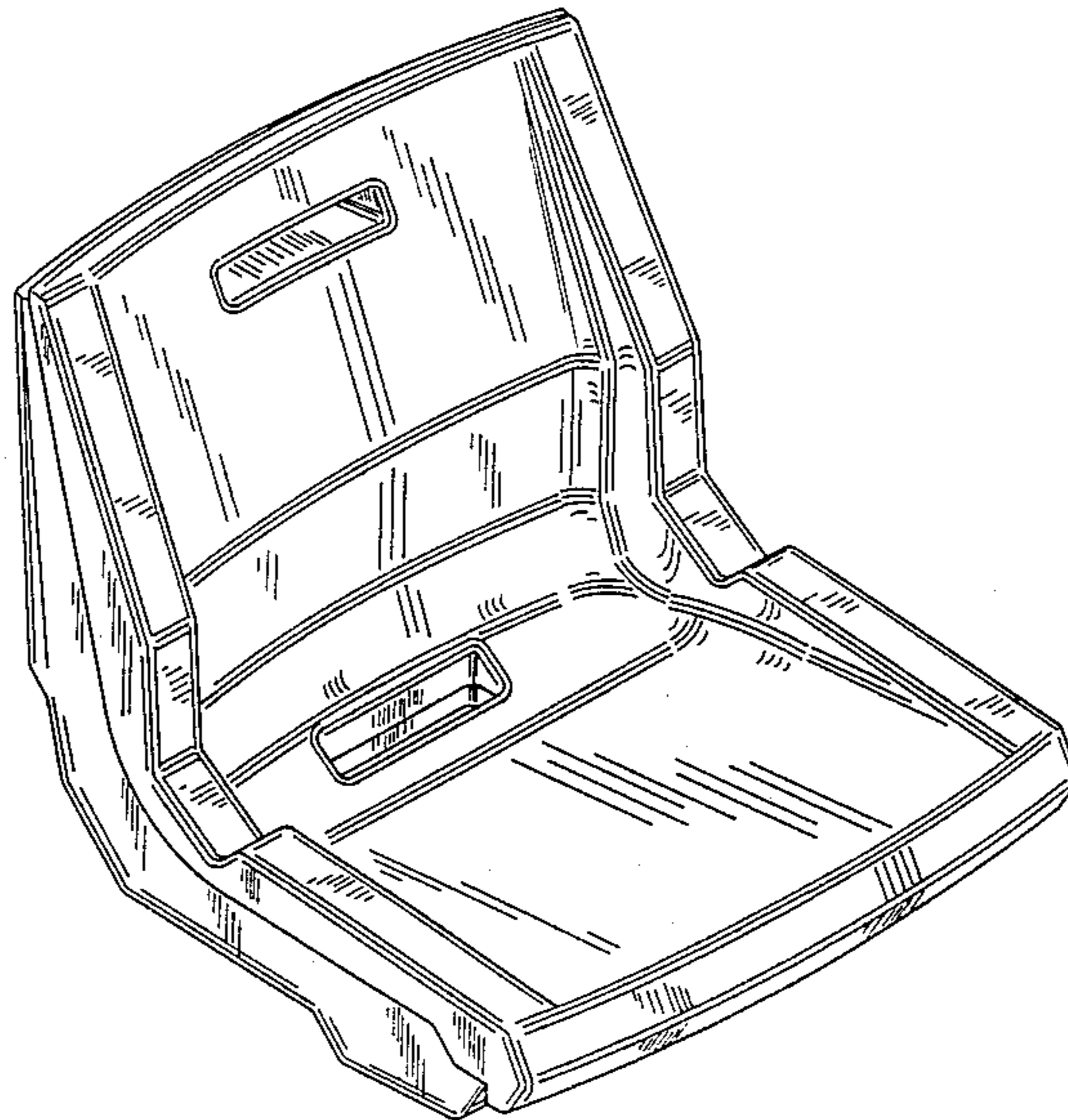
[57] **CLAIM**

The ornamental design for a lawn mower seat, as shown.

**DESCRIPTION**

FIG. 1 is a perspective view of a lawn mower seat, showing my new design;  
FIG. 2 is a right side elevational view thereof;  
FIG. 3 is a front elevational view thereof;  
FIG. 4 is a rear elevational view thereof;  
FIG. 5 is a bottom plan view thereof; and  
FIG. 6 is a top plan view thereof.

LAWN MOWER SEAT



LAWN MOWER SEAT

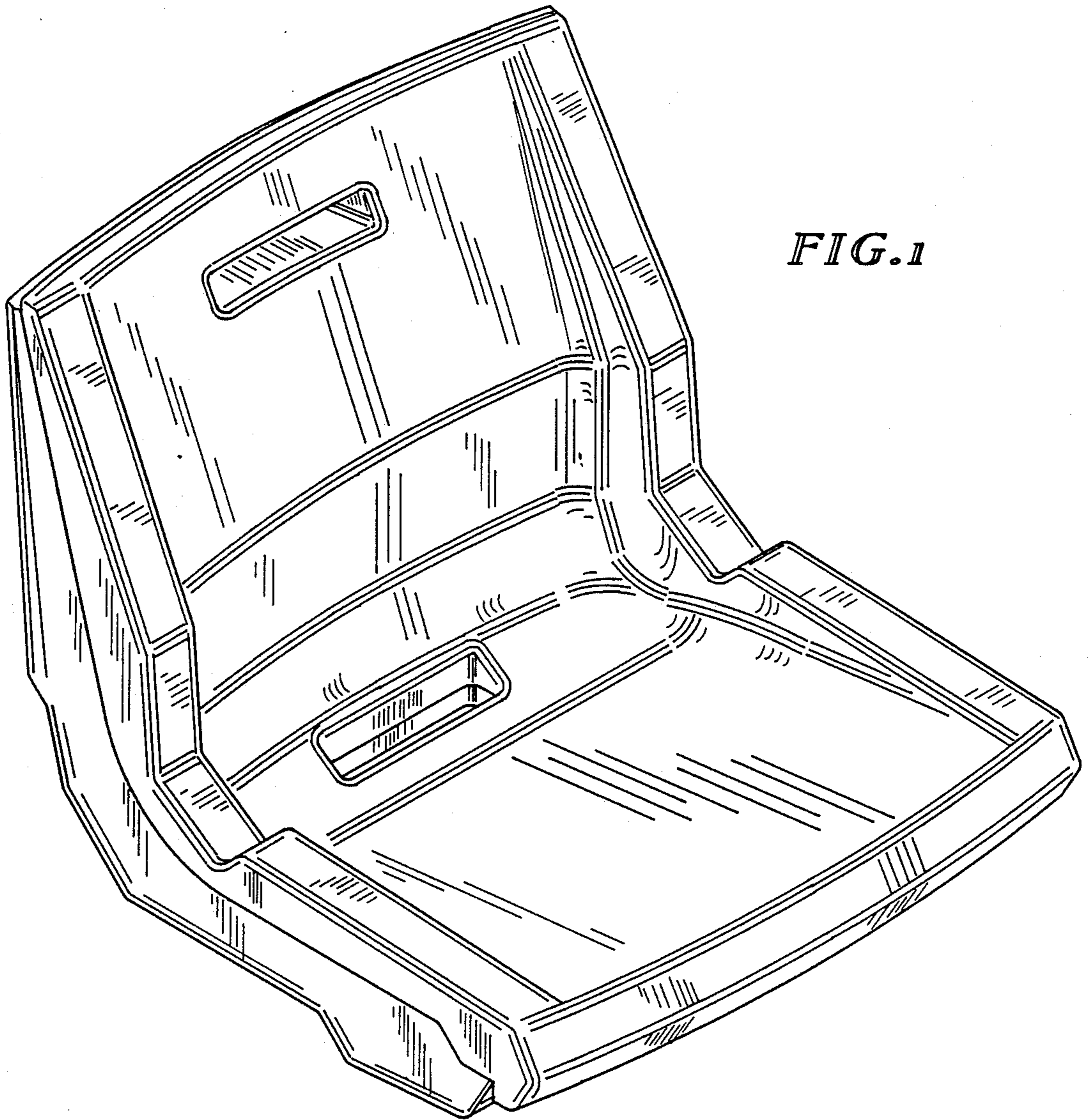


FIG. 1

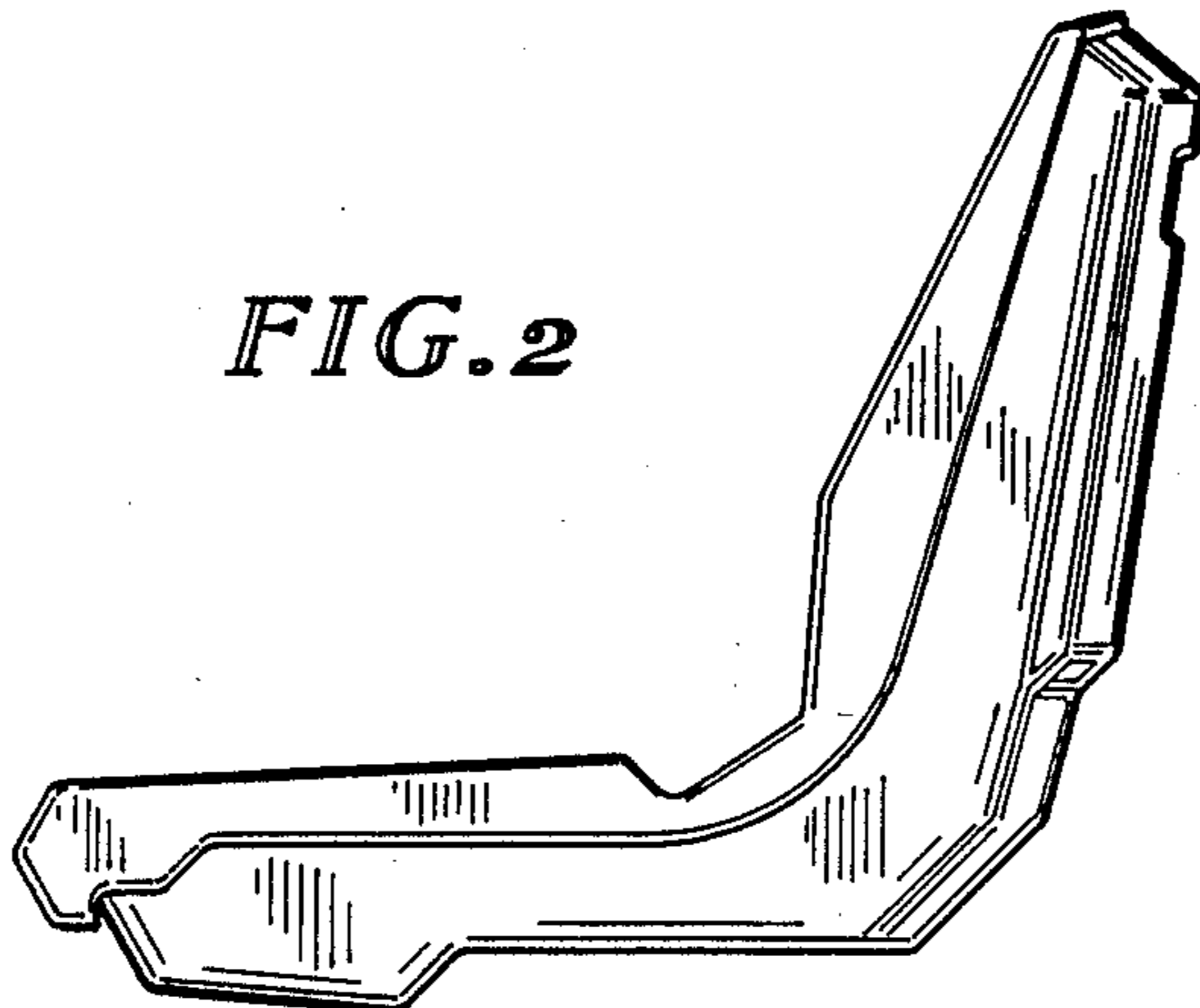


FIG. 2

FIG. 3

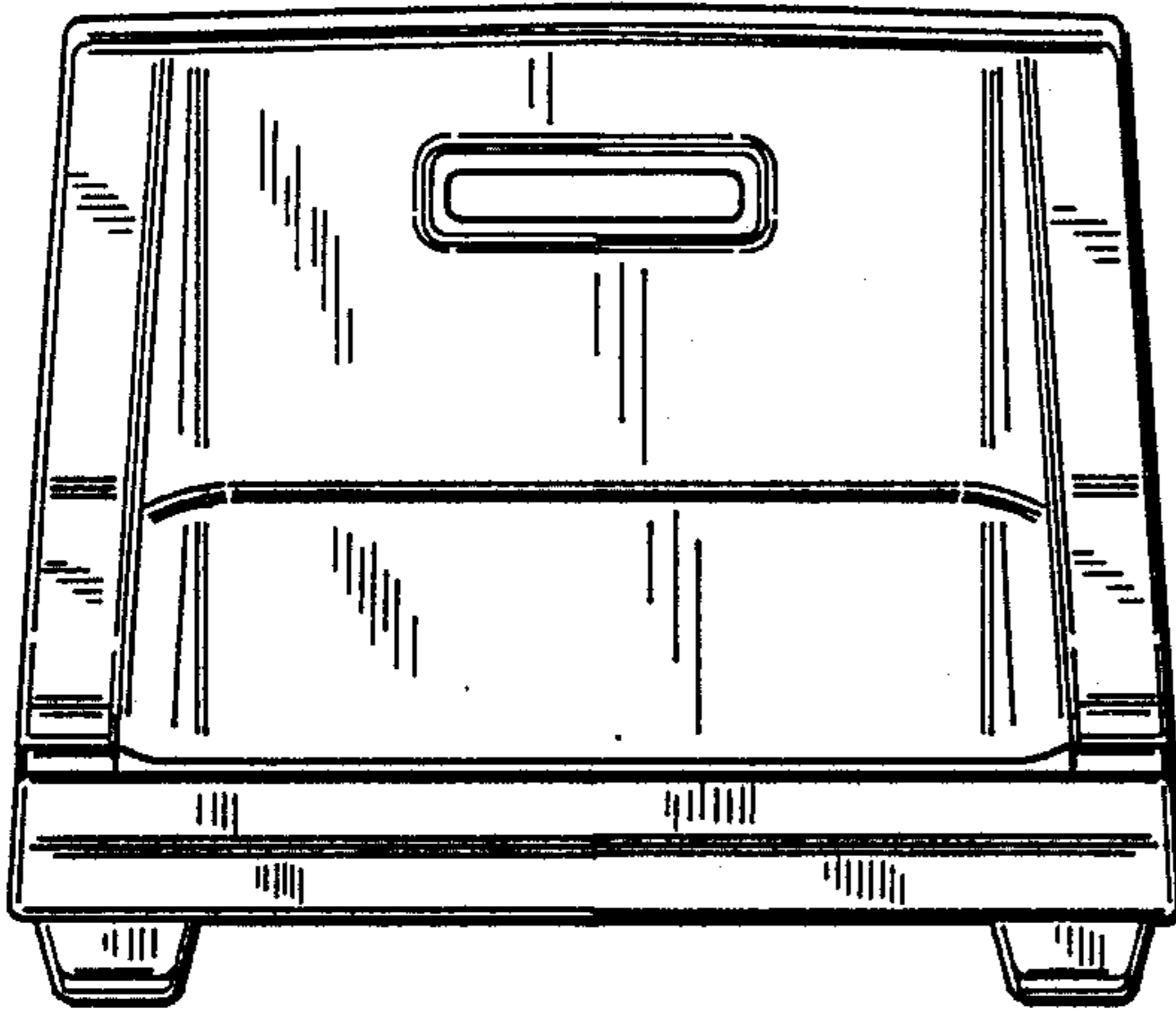


FIG. 4

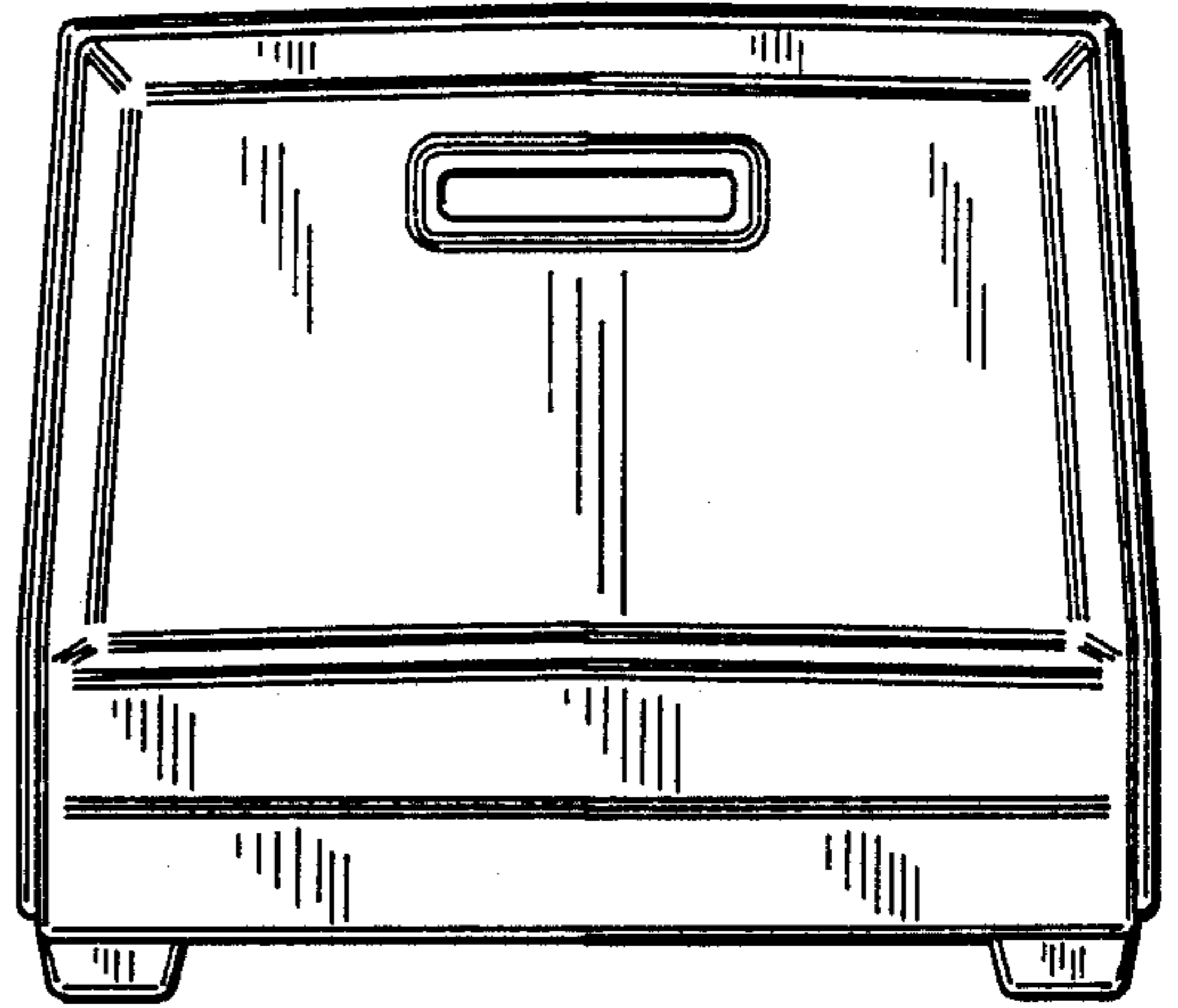


FIG. 5

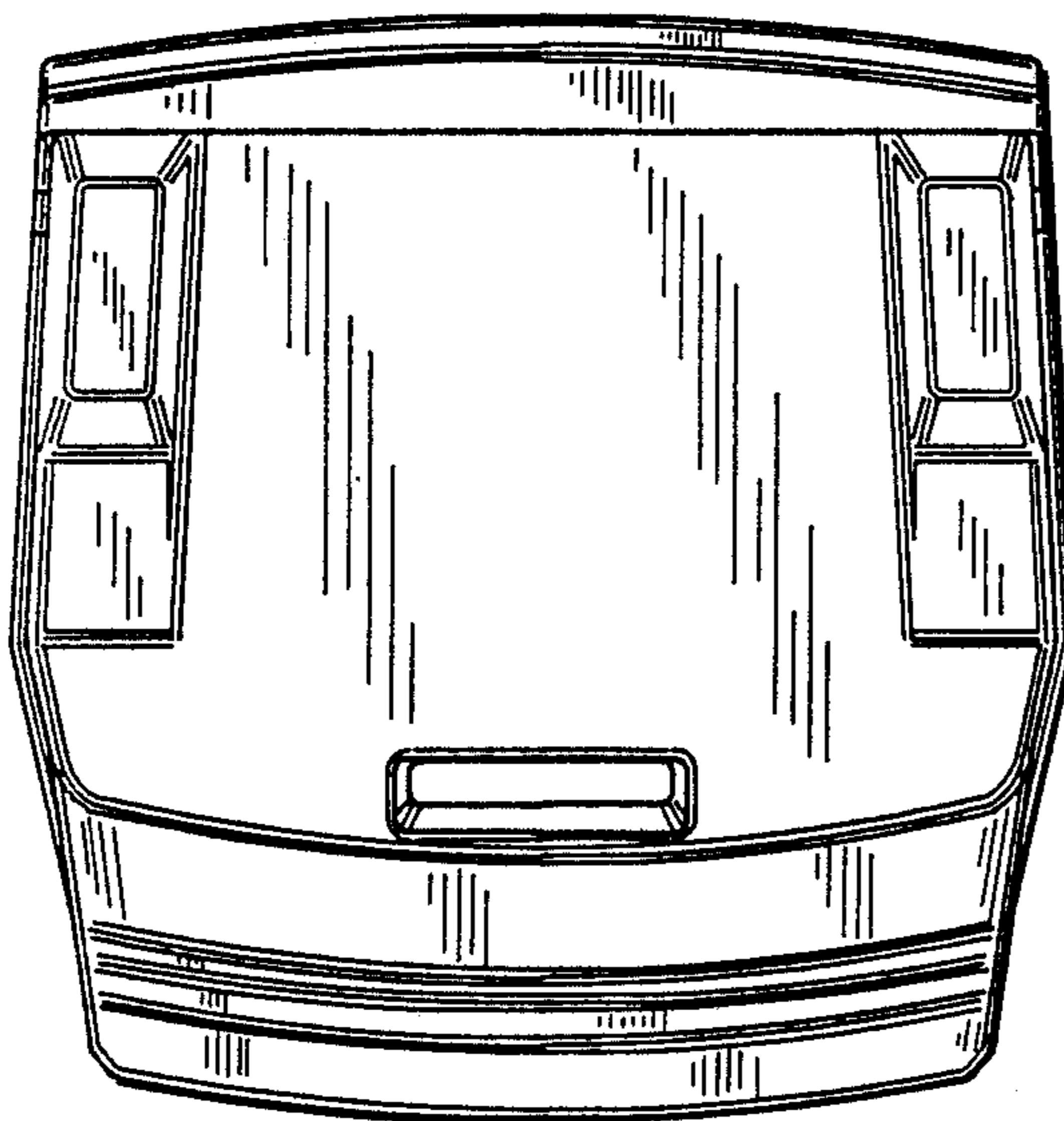


FIG. 6

