

[54] **AQUARIUM PUMP CHAMBER**

[75] **Inventor: Heinz Turbanisch, Nuremberg, Fed. Rep. of Germany**

[73] **Assignee: Jet-Pumpen HT GmbH, Nuremberg, Fed. Rep. of Germany**

[**] **Term: 14 Years**

[21] **Appl. No.: 63,519**

[22] **Filed: Jun. 18, 1987**

[30] **Foreign Application Priority Data**

Dec. 18, 1986 [DE] Fed. Rep. of Germany MR VII 324

[52] **U.S. Cl. D15/8**

[58] **Field of Search D15/7-8; 417/321, 410, 424, 572; 210/416.2, 169**

[56] **References Cited**

U.S. PATENT DOCUMENTS

D. 289,914	5/1987	Willinger et al.	D23/210
4,385,989	5/1983	Margolis	210/416.2 X
4,532,037	7/1985	Willinger	D23/210 X
4,559,136	12/1985	Dockery	210/416.2 X
4,620,924	11/1986	Goldman et al.	210/416.2 X
4,735,715	4/1988	Willinger	210/416.2 X

Primary Examiner—Wallace R. Burke
Assistant Examiner—Brian N. Vinson
Attorney, Agent, or Firm—Robert J. Koch

[57] **CLAIM**

The ornamental design for an aquarium pump chamber, as shown.

DESCRIPTION

FIG. 1 is a front perspective view of an aquarium pump chamber showing my new design; **FIG. 2** is a top perspective view thereof; and **FIG. 3** is a bottom perspective view thereof.

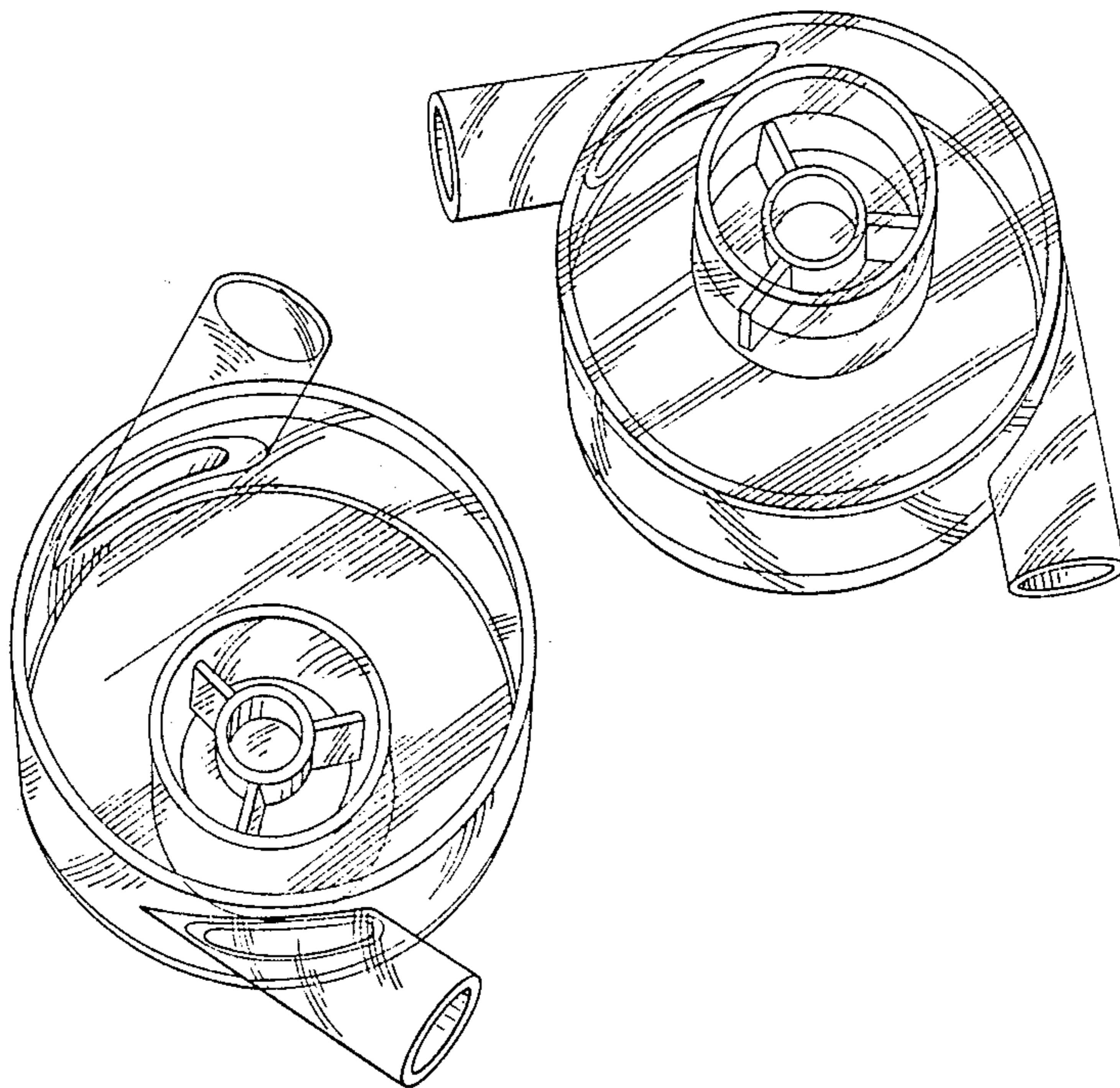


FIG. 1

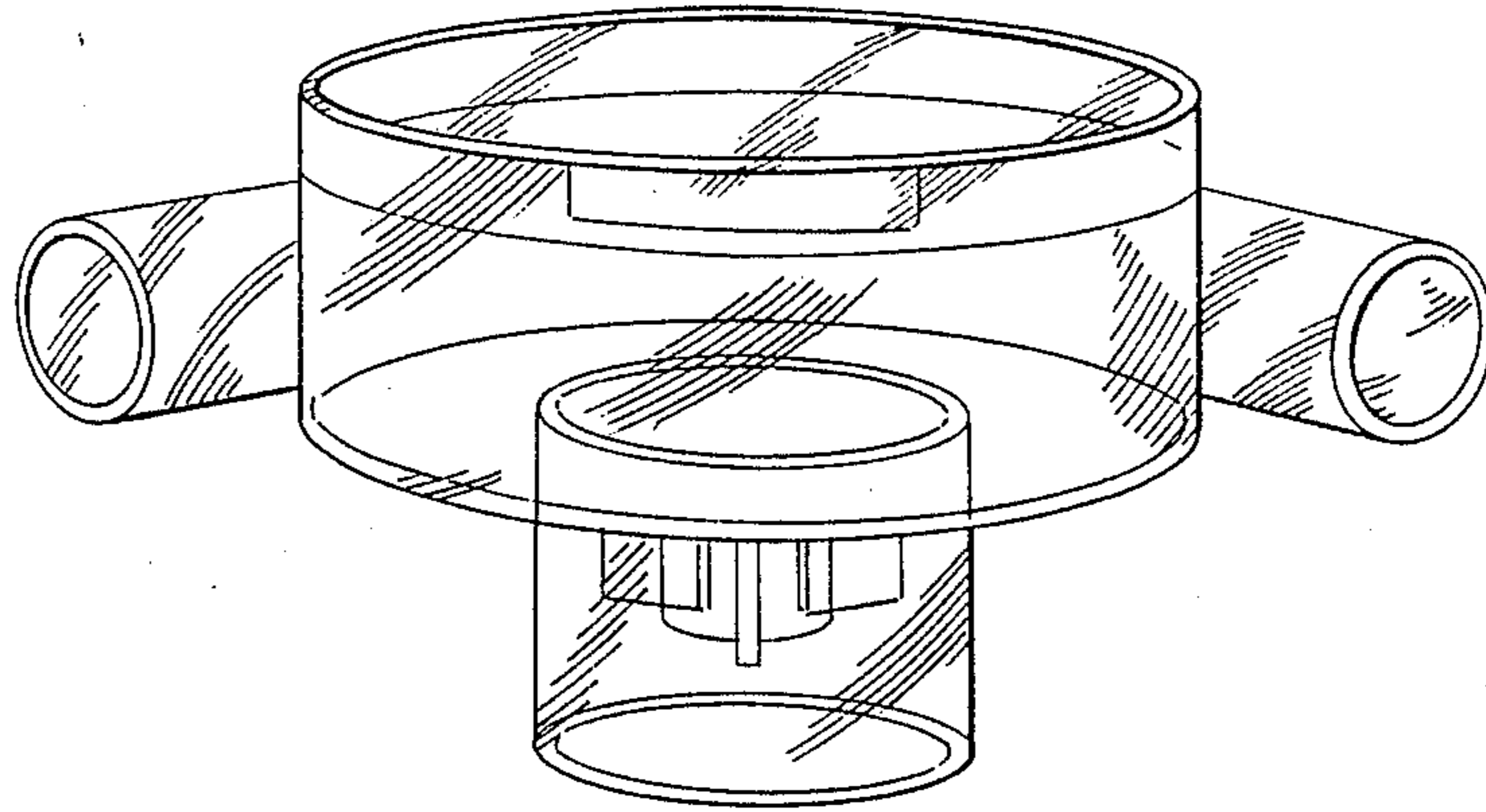


FIG. 2

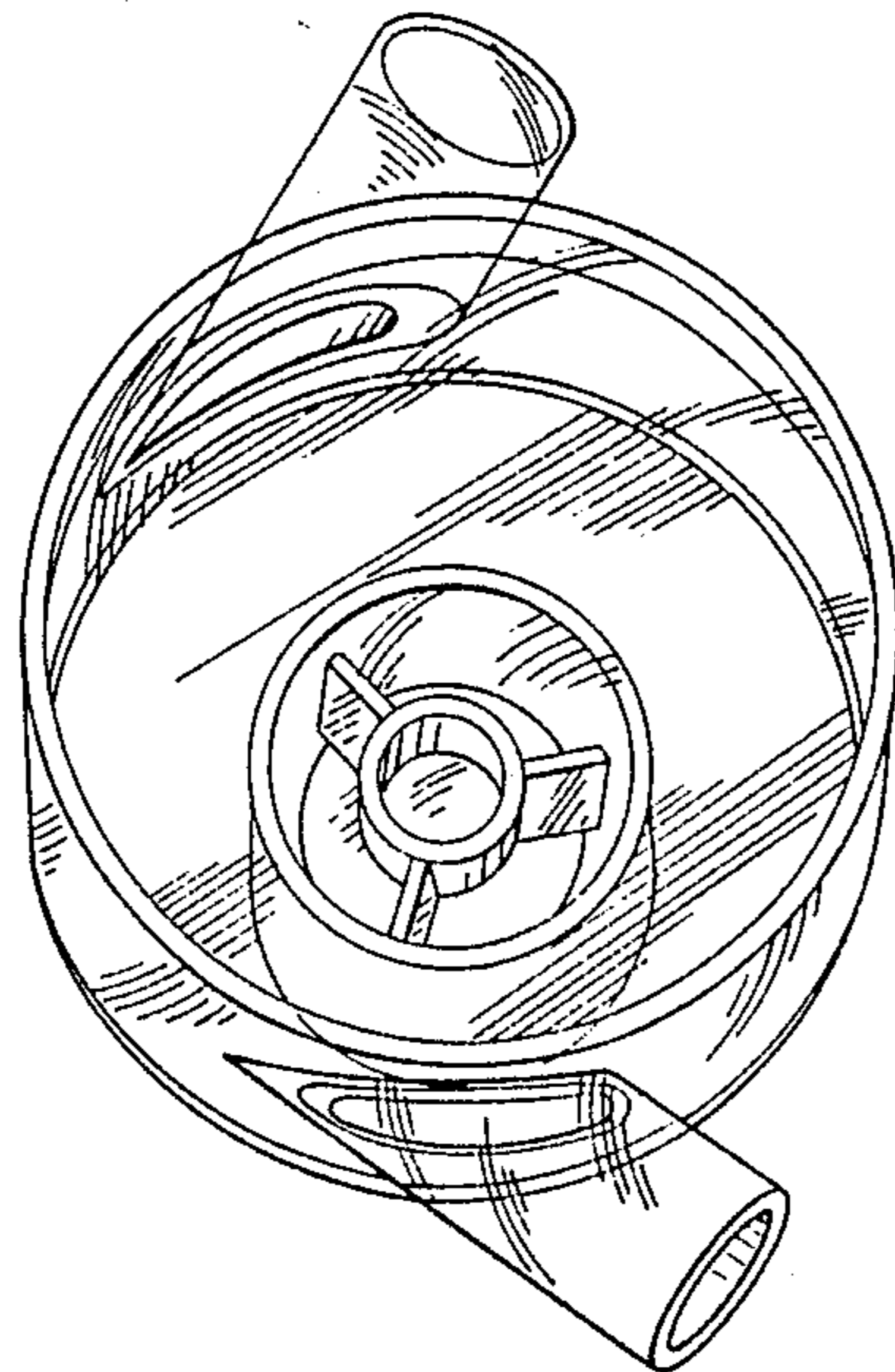


FIG. 3

