

[54] HIGH PRESSURE WASHER

D. 301,247 5/1989 Prevosto D15/9
4,404,706 9/1983 Loyd 417/234 X
4,595,841 6/1986 Yaguchi 310/50 X

[75] Inventors: Gary C. Polk, Eden Prairie; Leo F. Wildgen, Bloomington, both of Minn.

Primary Examiner—A. Hugo Word
Assistant Examiner—Doris V. Coles
Attorney, Agent, or Firm—Peterson, Wicks, Nemer & Kamrath

[73] Assignee: Power Flo Products Corp., Minneapolis, Minn.

[**] Term: 14 Years

[57] CLAIM

[21] Appl. No.: 164,720

The ornamental design for a high pressure washer, as shown and described.

[22] Filed: Mar. 7, 1988

DESCRIPTION

[52] U.S. Cl. D15/7

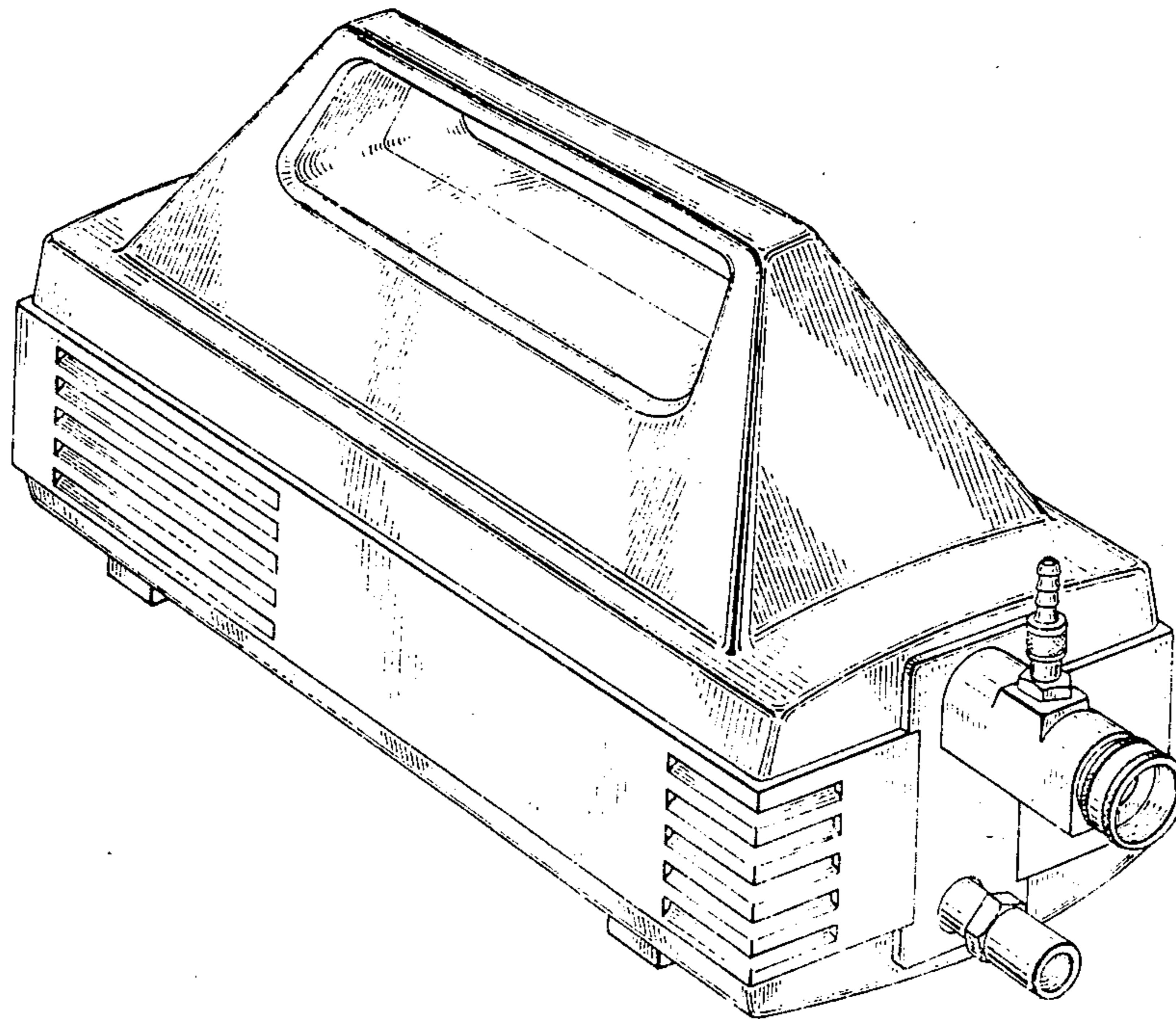
[58] Field of Search D15/9, 7; 310/50, 47; 417/234, 410, 411, 413, 423.14, 416; 15/409; 13/2, 6

FIG. 1 is a right perspective view of a high pressure washer, embodying our new design; FIG. 2 is a left side elevational view thereof; FIG. 3 is a right side elevational view thereof; FIG. 4 is a top plan view thereof, with no ornamentation being claimed for the bottom plan; FIG. 5 is a right end elevational view thereof; and FIG. 6 is a left end elevational view thereof.

[56] References Cited

U.S. PATENT DOCUMENTS

D. 281,492 11/1985 Yaguchi D15/2



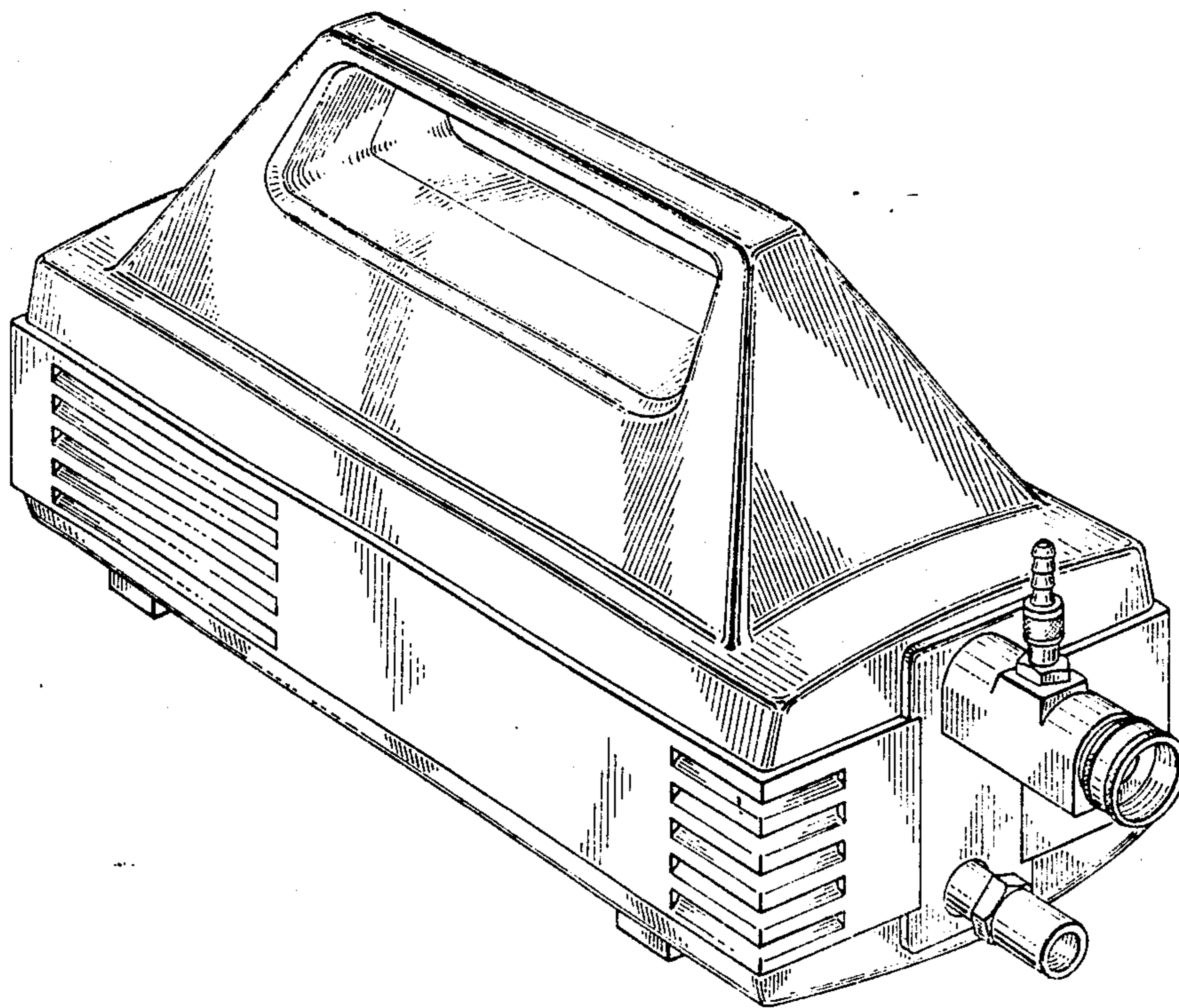


Fig 1

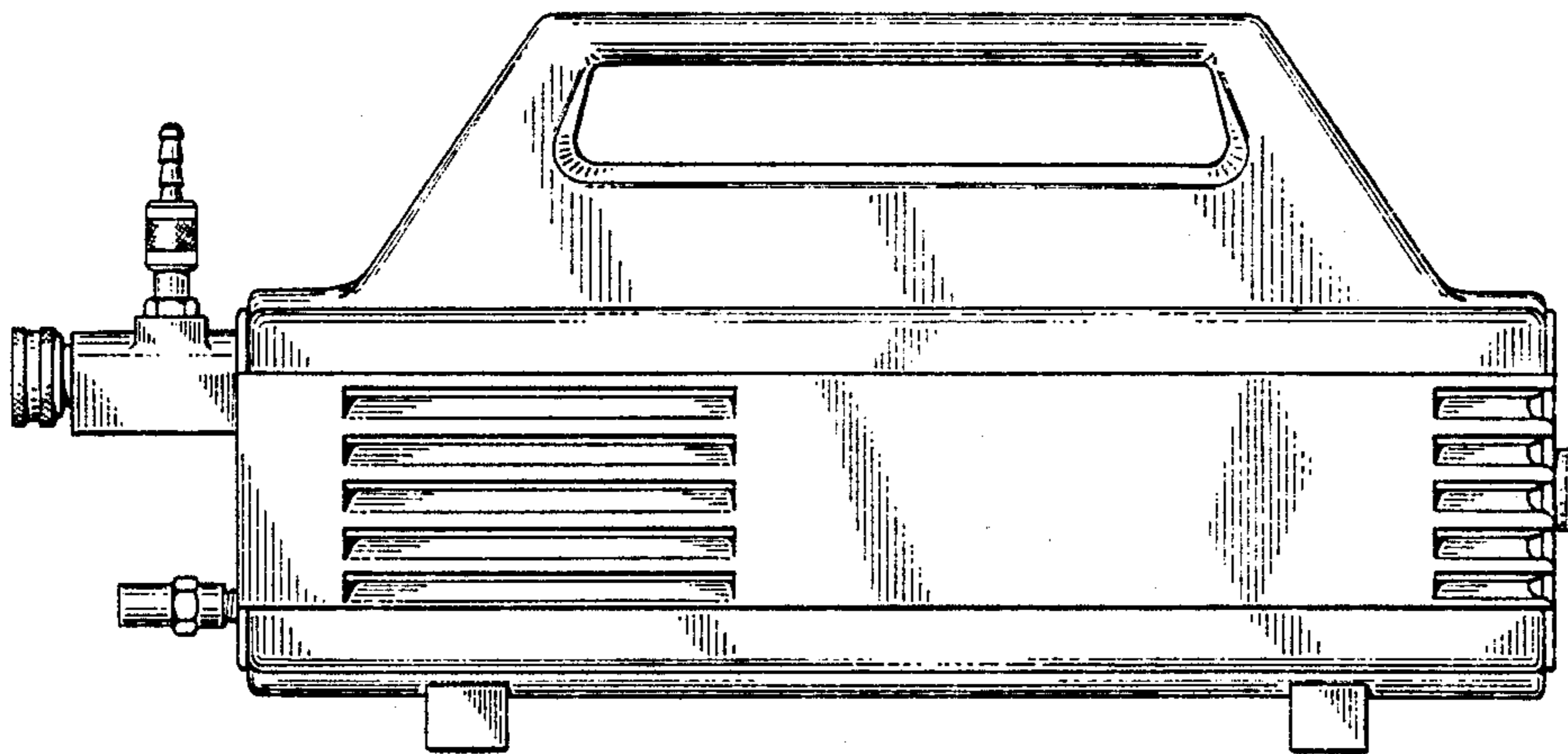


Fig 2

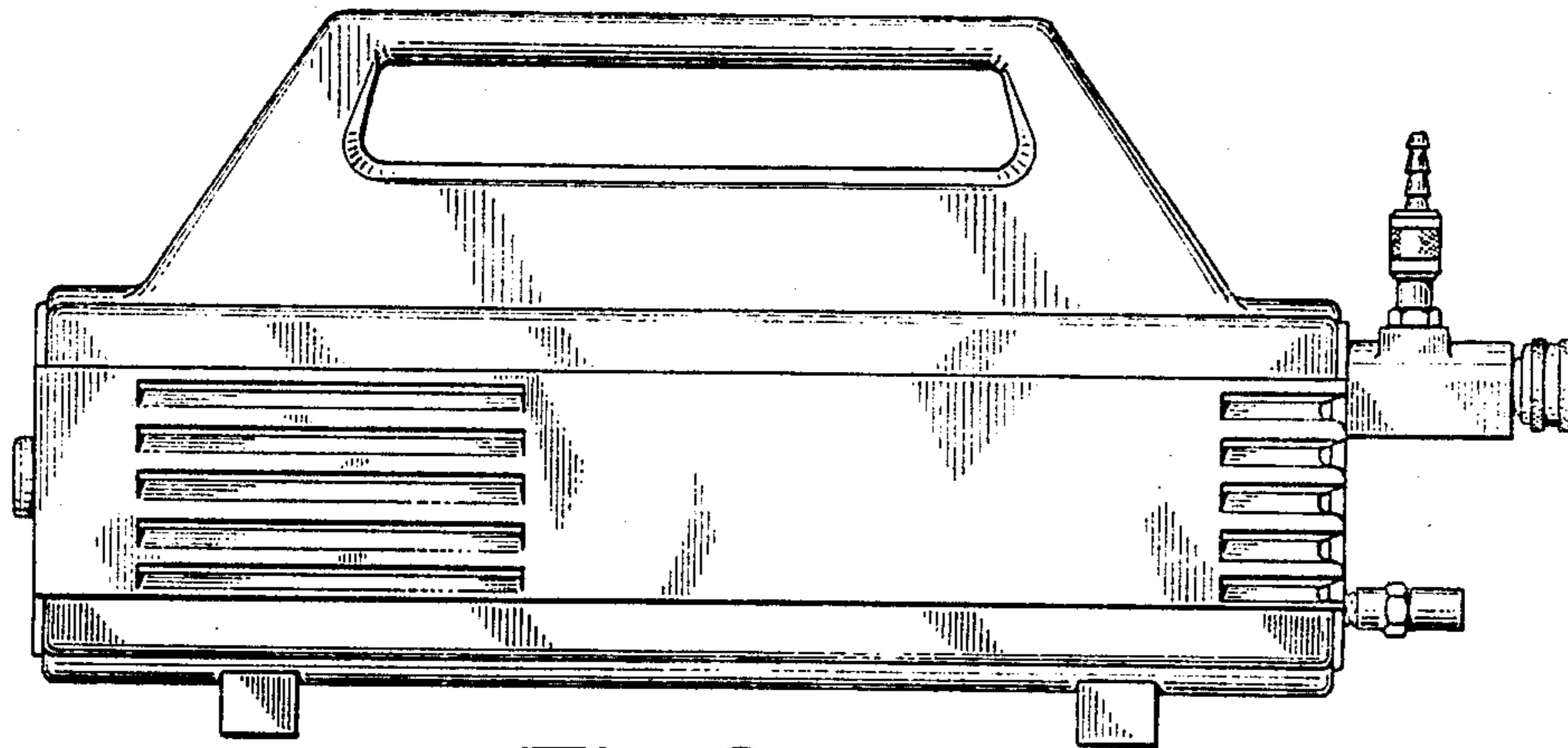


Fig 3

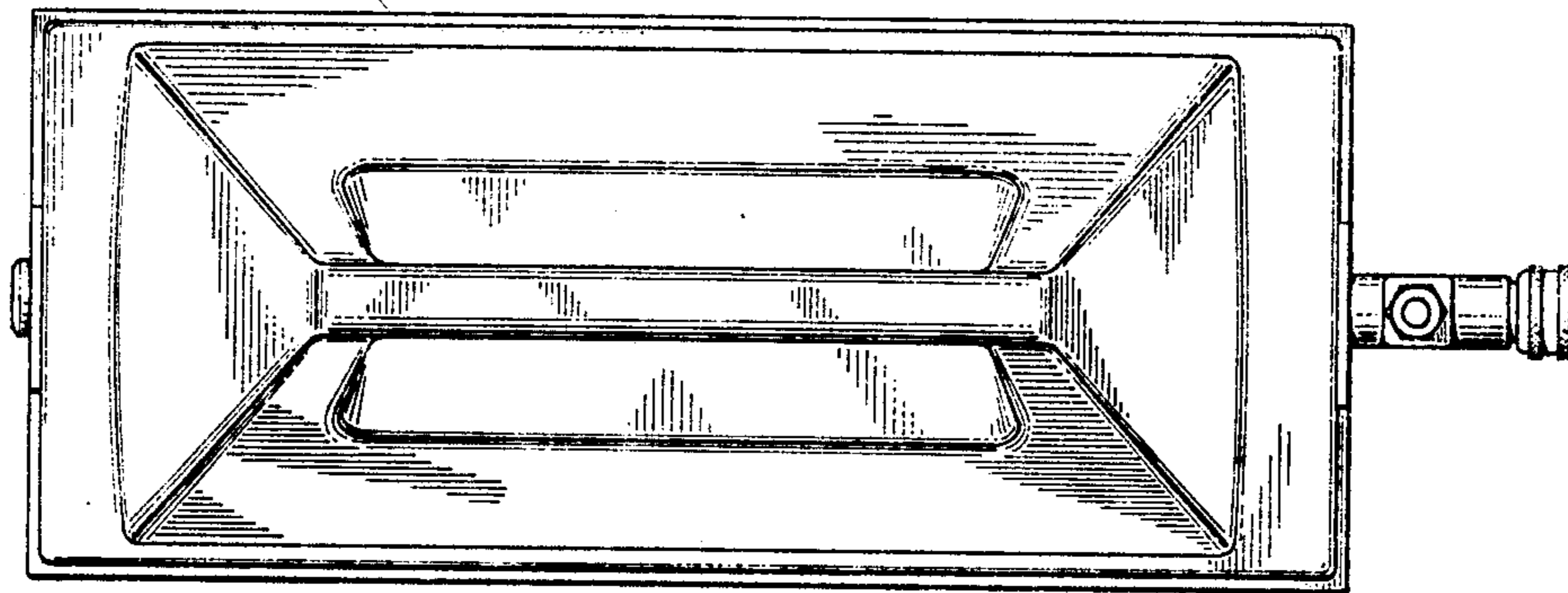


Fig 4

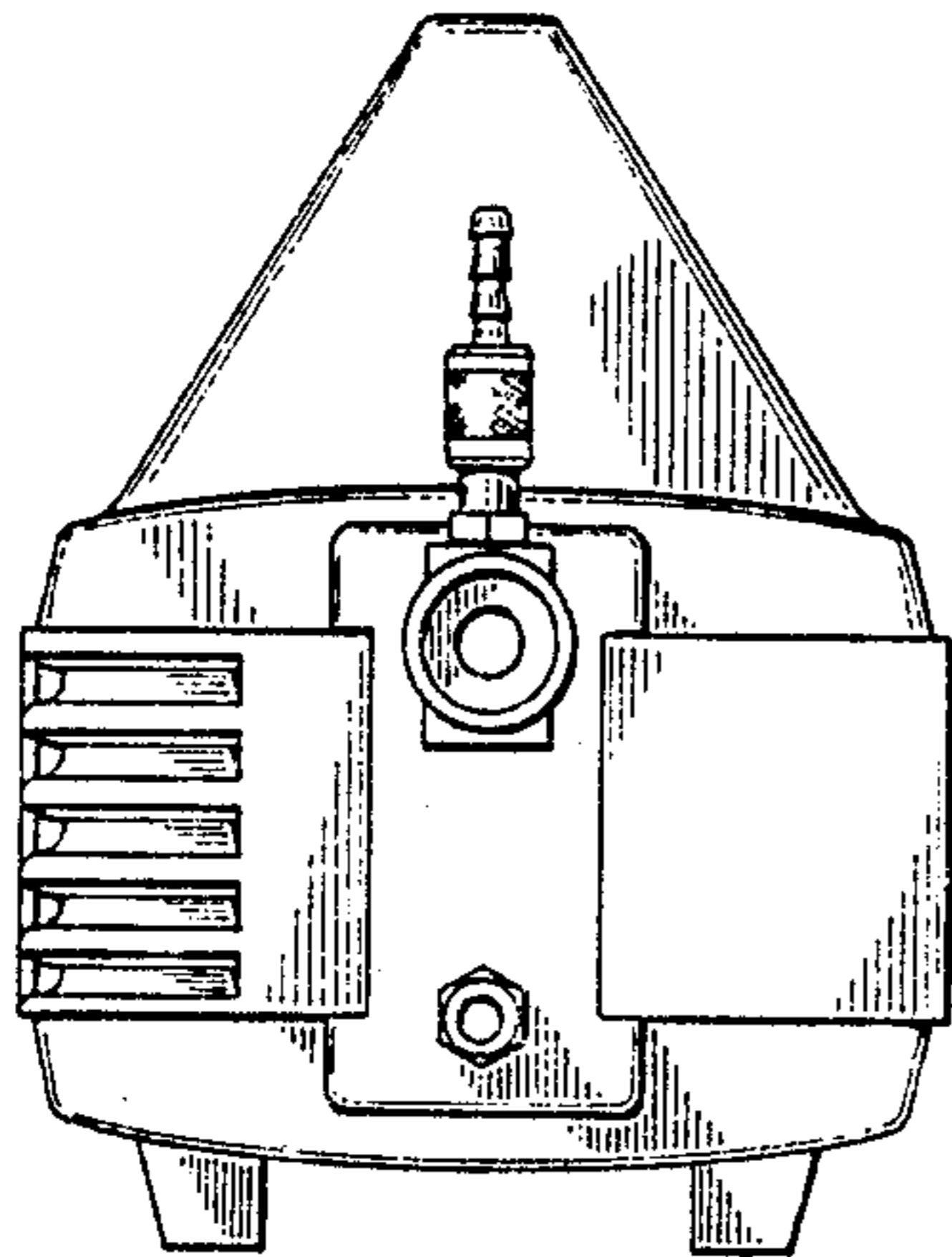


Fig 5

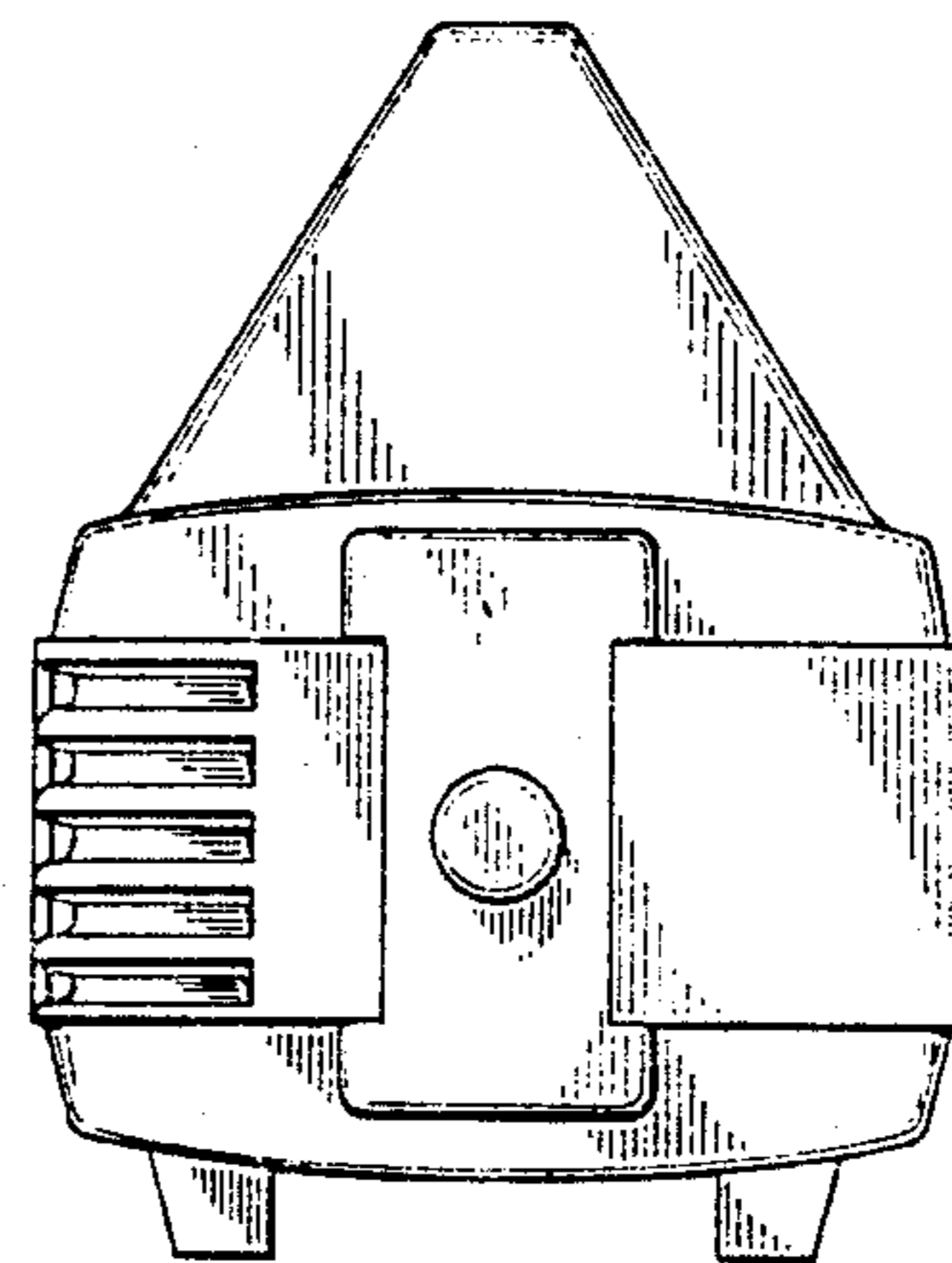


Fig 6