

[54] CHARGER FOR A PORTABLE RADIO TELEPHONE

[75] Inventor: Katsuhito Watanabe, Tokyo, Japan

[73] Assignee: Oki Electric Industry Co., Ltd., Tokyo, Japan

[**] Term: 14 Years

[21] Appl. No.: 322,060

[22] Filed: Mar. 13, 1989

[30] Foreign Application Priority Data

Sep. 22, 1988 [JP] Japan 63-37056

[52] U.S. Cl. D14/240; D14/252; D14/144; D14/138; D13/5

[58] Field of Search D14/240, 252, 144, 135; D13/5, 6, 7; 379/61, 62, 436, 434, 428, 440

[56] References Cited

U.S. PATENT DOCUMENTS

- D. 193,664 9/1962 Armbruster D13/6
- D. 224,118 7/1972 Hartz D13/5
- D. 271,391 11/1983 Scheid D13/5
- D. 276,149 10/1984 Eckmann et al. D13/5
- D. 289,996 5/1987 Oord et al. D13/6
- D. 298,119 10/1988 Richards et al. D13/6
- D. 301,455 6/1989 Hatsumi et al. D13/5

- D. 301,456 6/1989 Siddoway D13/5
- 3,183,891 5/1965 MacDonald D13/6 X
- 4,634,810 1/1987 Grassi et al. 379/61

Primary Examiner—Horace B. Fay, Jr.
Attorney, Agent, or Firm—Wenderoth, Lind & Ponack

[57] CLAIM

The ornamental design for a charger for a portable radio telephone, as shown and described.

DESCRIPTION

FIG. 1 is a front, top and right side perspective view of a charger for a portable radio telephone showing my new design;

FIG. 2 is a front elevational view thereof;

FIG. 3 is a top plan elevational view thereof;

FIG. 4 is a rear elevational view thereof;

FIG. 5 is a bottom plan view thereof;

FIG. 6 is a left side elevational view thereof;

FIG. 7 is a right side elevational view thereof;

FIG. 8 is a sectional view taken on line VIII—VIII in FIG. 2 with a interior construction omitted; and

FIG. 9 is a left side elevational view thereof depicting in broken lines a portable radio telephone positioned therein for incurring a charge.

The broken line showing of a portable radio telephone is for illustrative purposes only and forms no part of the claimed design.

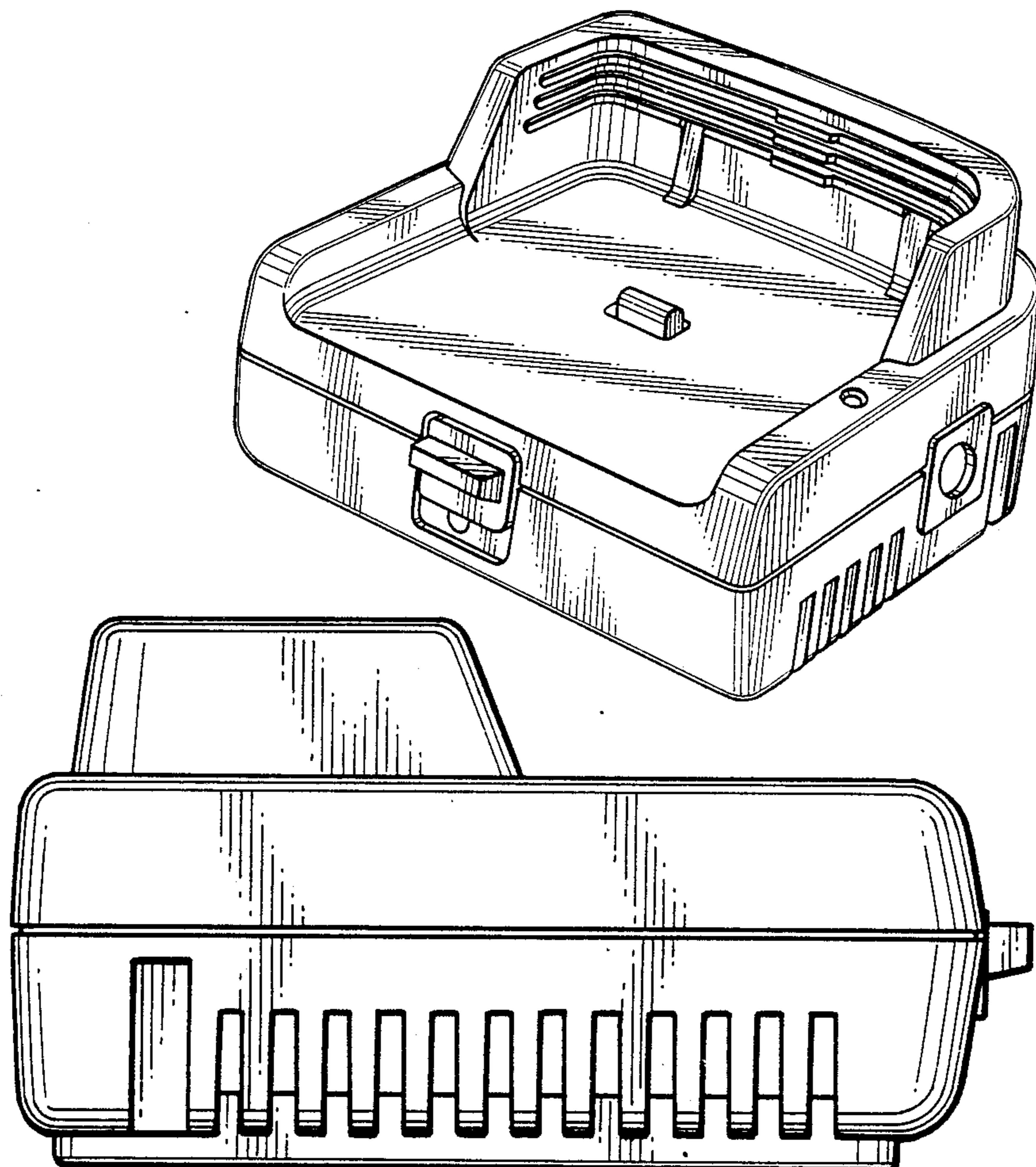


Fig. 1

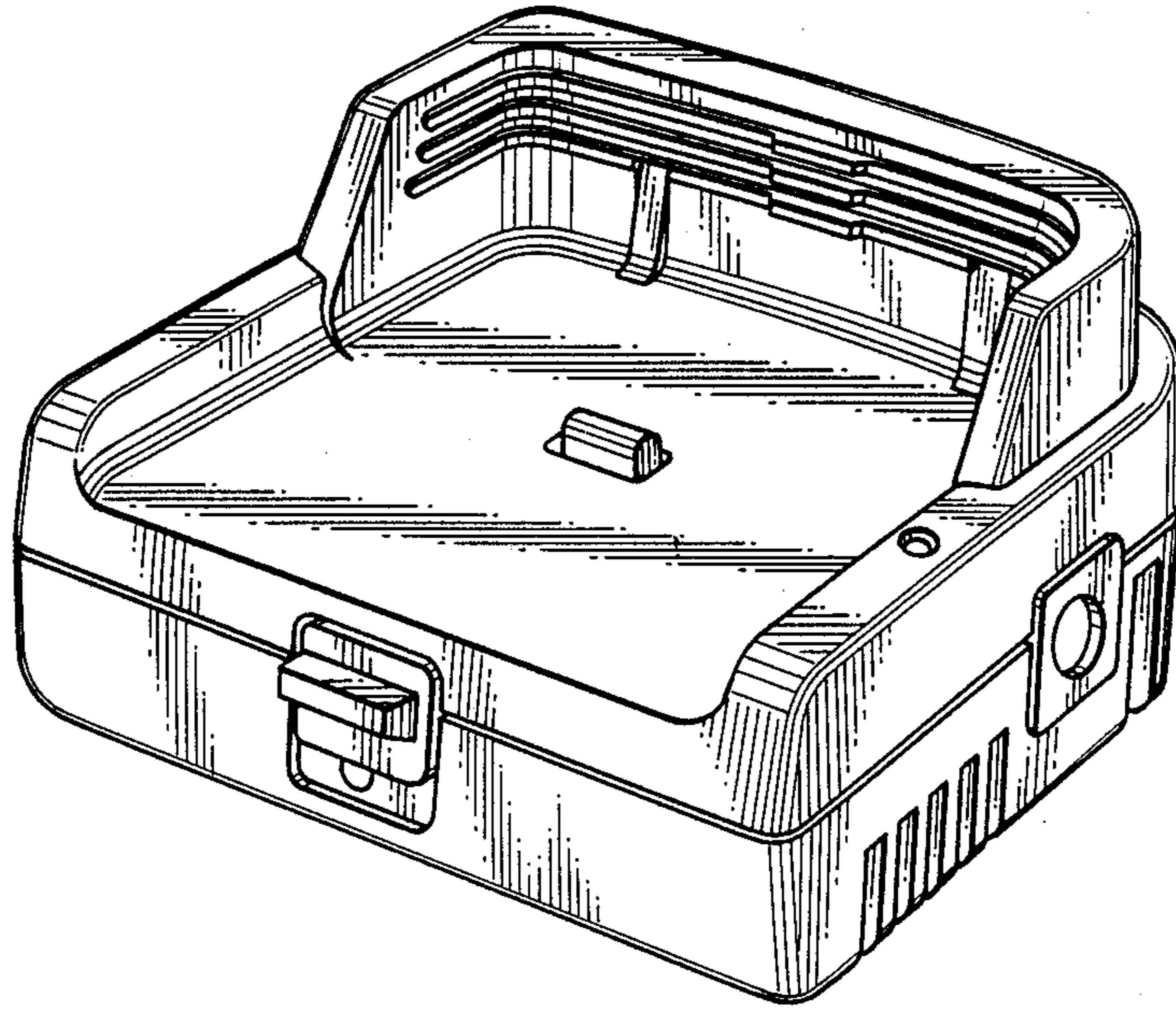


Fig. 2

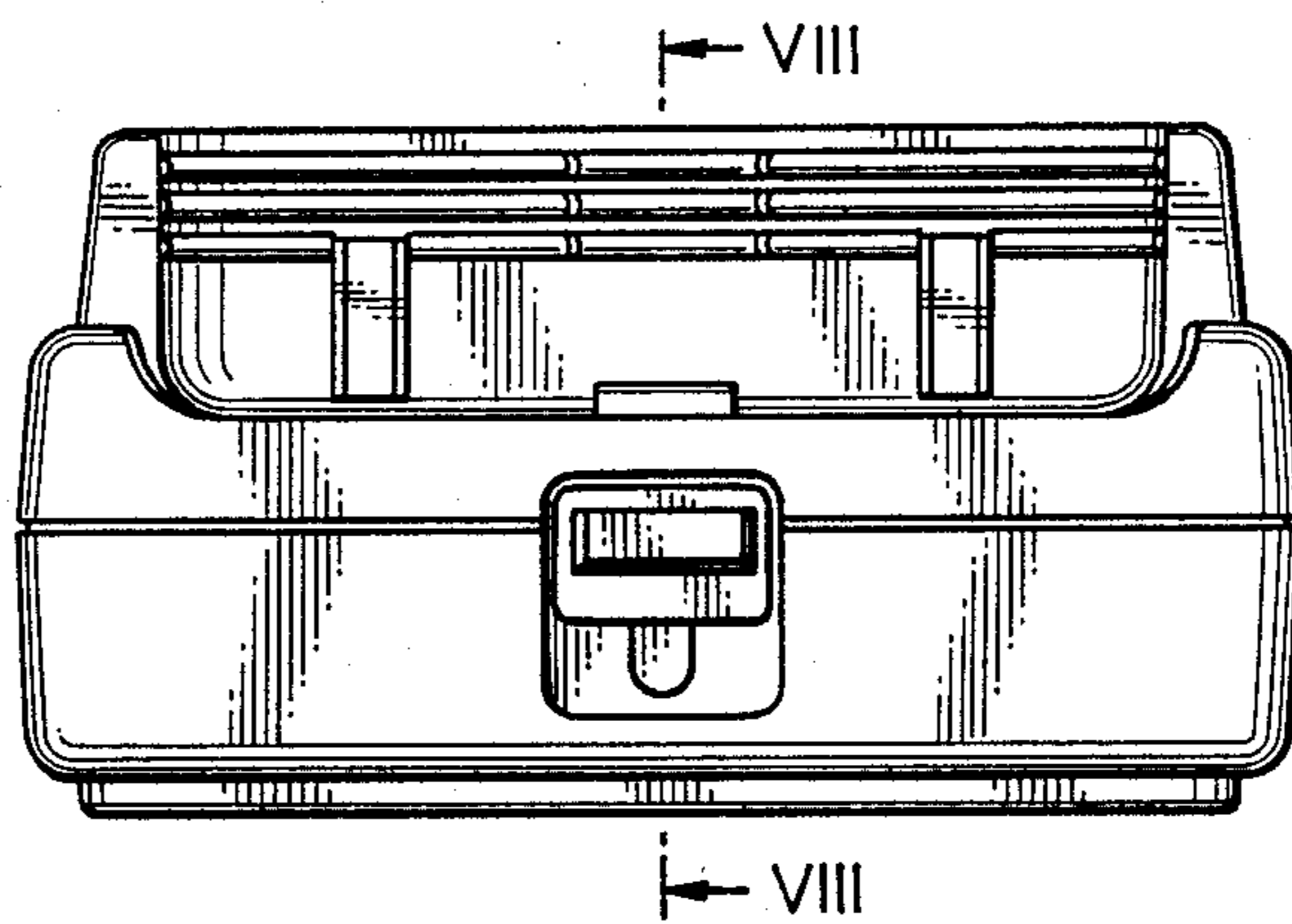


Fig. 3

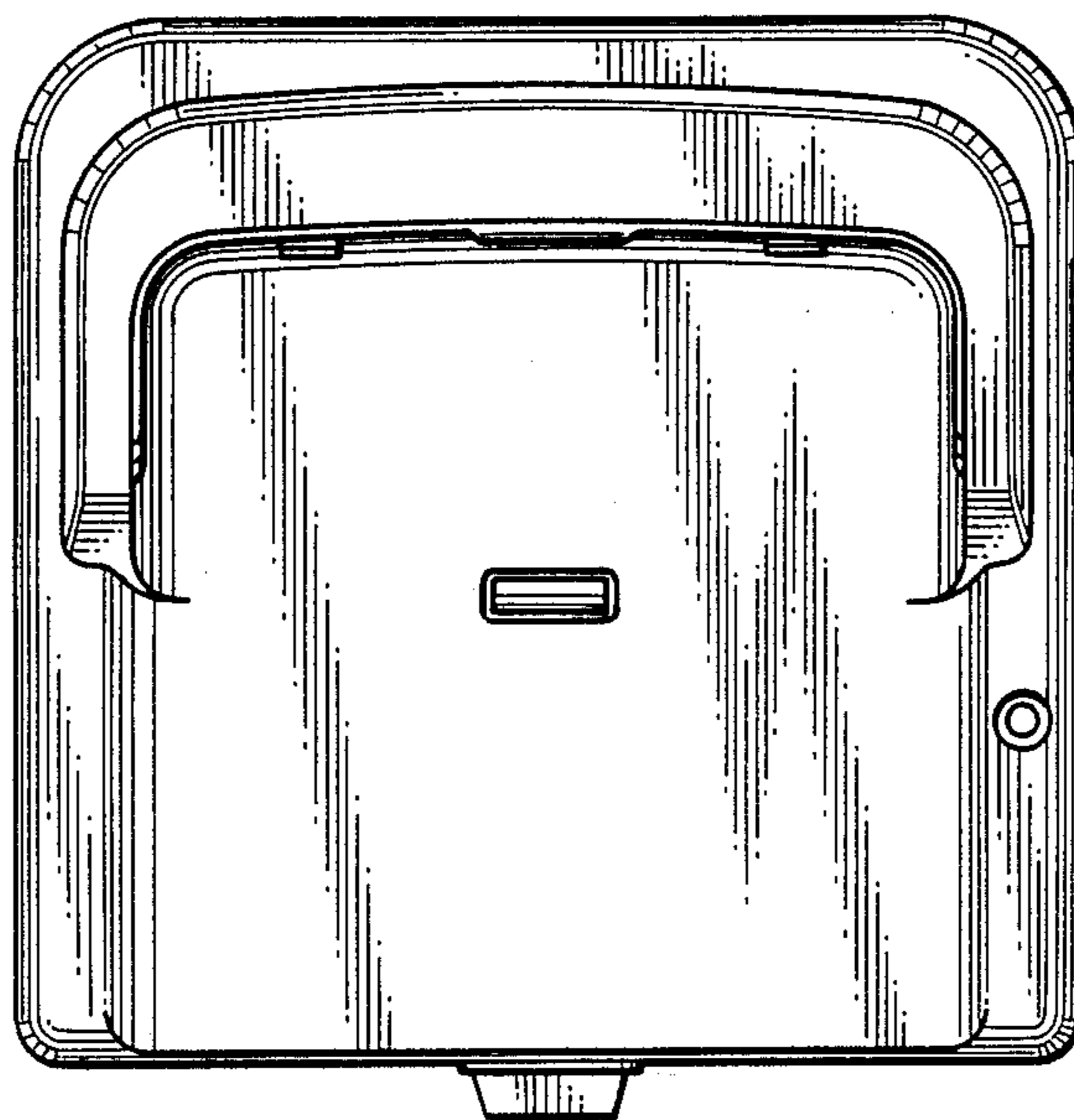


Fig. 4

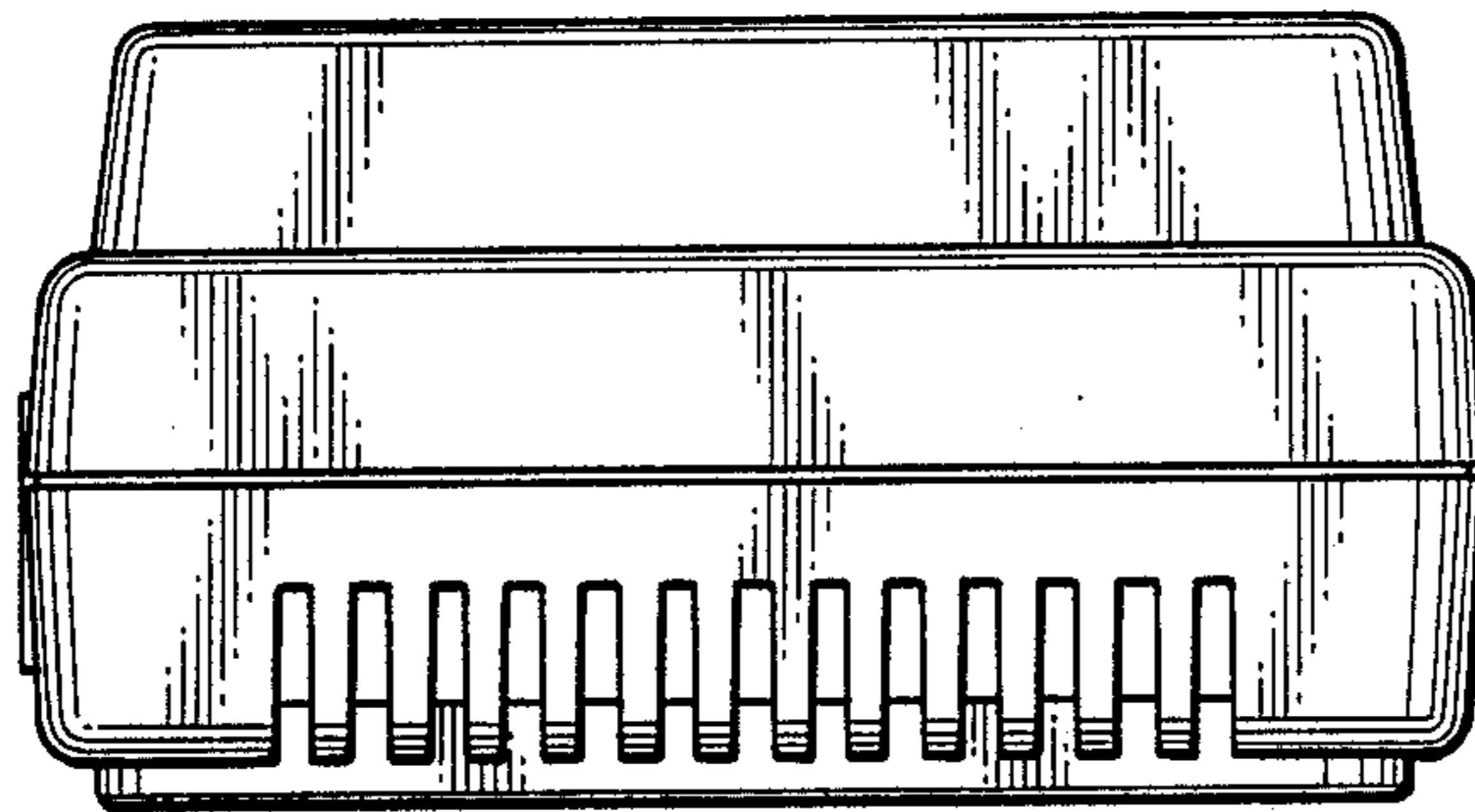


Fig. 5

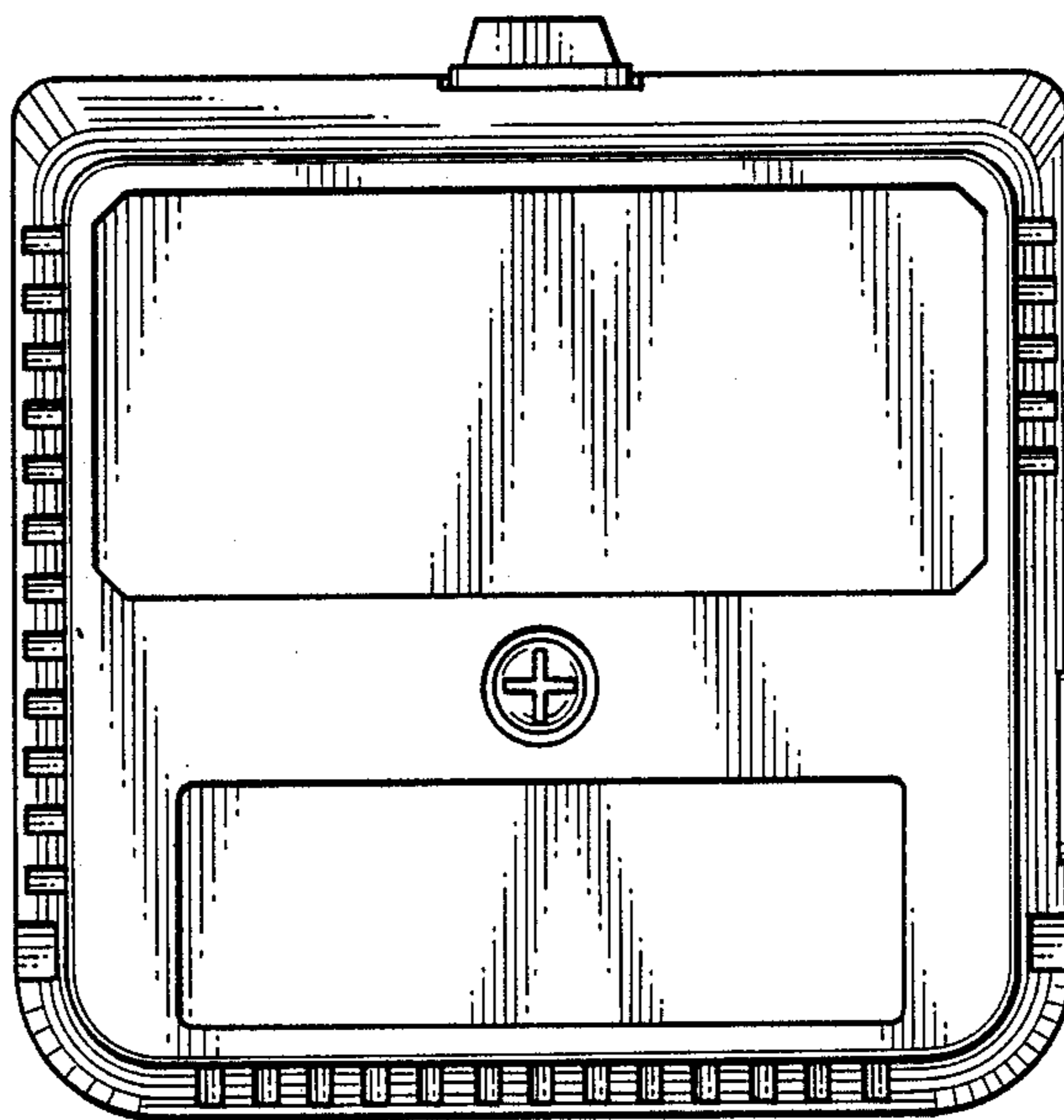


Fig. 6

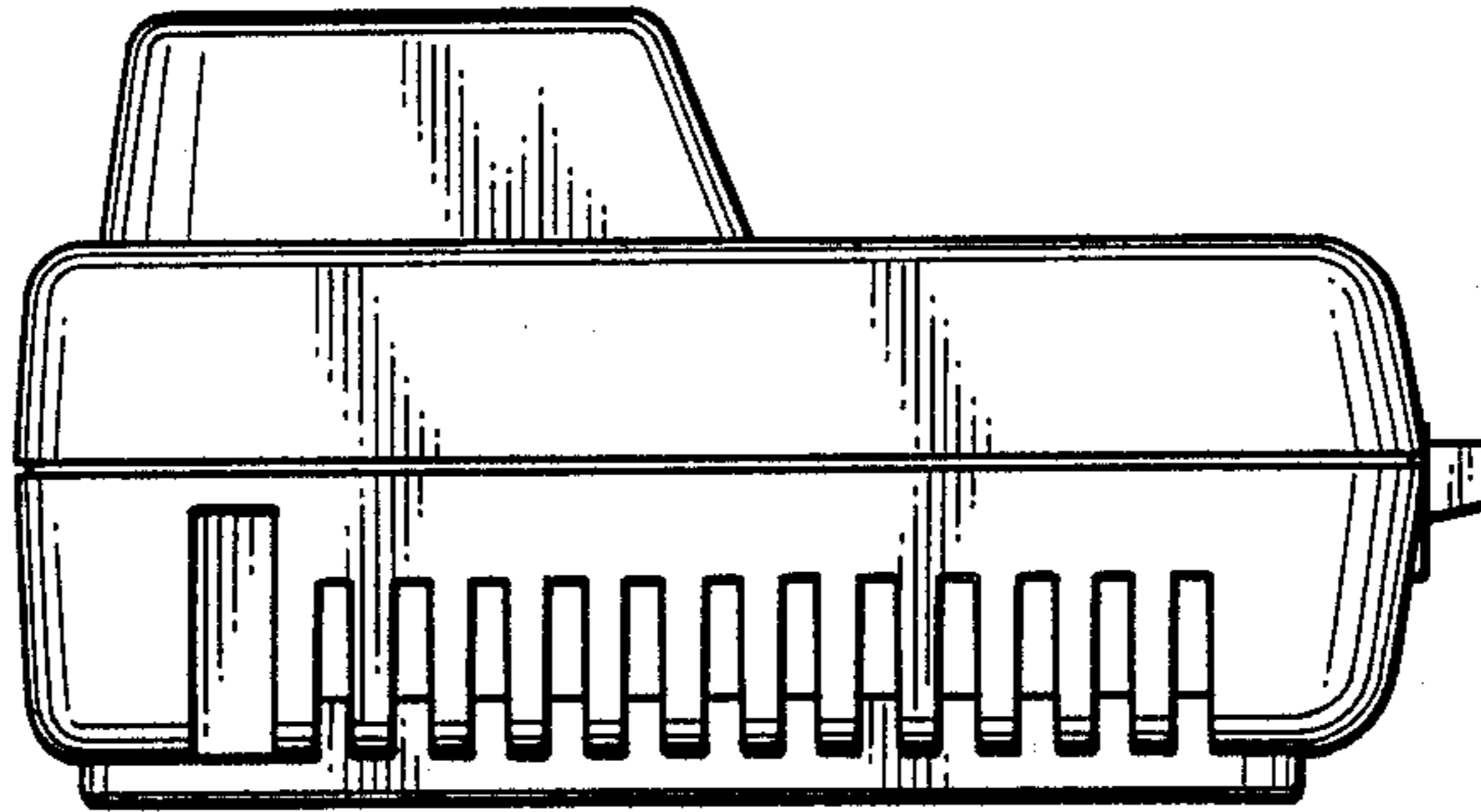


Fig. 7

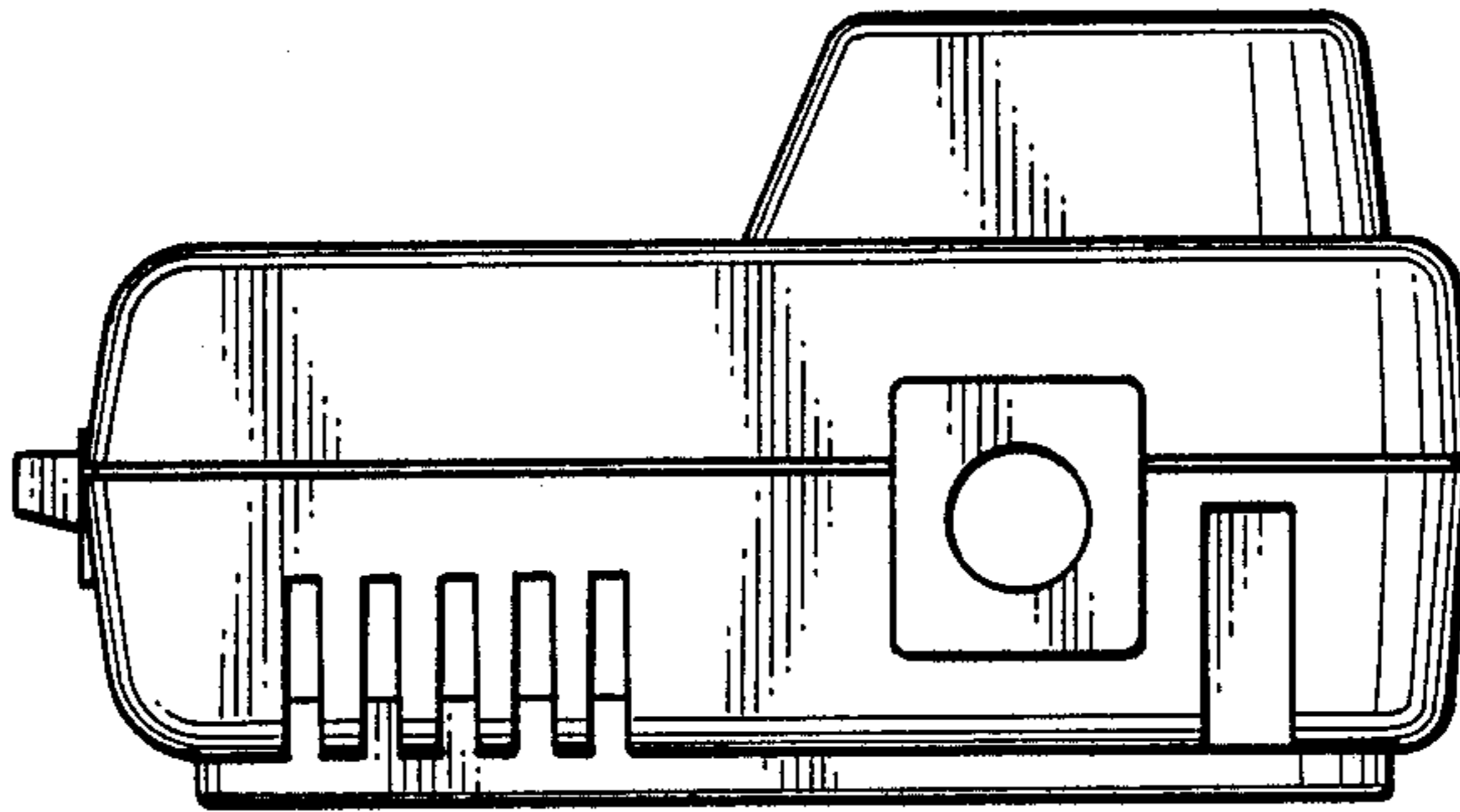


Fig. 8

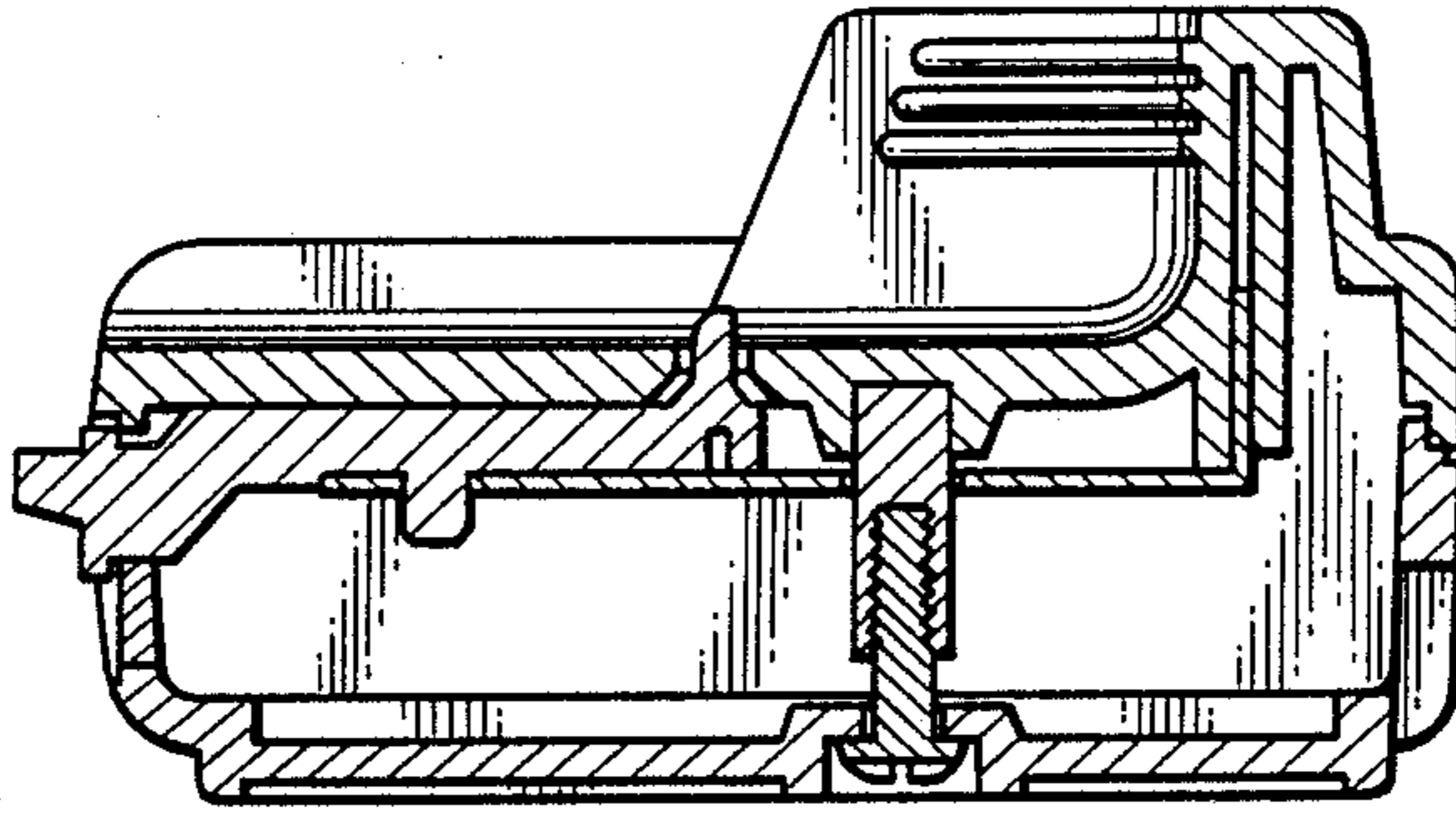


Fig. 9

