

[54] PORTABLE COMPUTER

[75] Inventor: Farad Azima, Huntingdon, England

[73] Assignee: Mission International Limited, Cambridge, England

[**] Term: 14 Years

[21] Appl. No.: 196,461

[22] Filed: May 20, 1988

[30] Foreign Application Priority Data

Apr. 22, 1988 [GB] United Kingdom 1050185

[52] U.S. Cl. D14/106

[58] Field of Search D14/100, 102, 105, 106, D14/107, 109, 113, 115; D18/1, 2, 6, 7, 11, 12, 13; 340/700, 706, 711, 712; 341/22, 23; 364/706-710, 130, 144, 189; 235/145 A, 145 R; 400/680, 681, 682, 685, 690, 691, 690.1; 312/208; 358/248, 249, 254

[56] References Cited

U.S. PATENT DOCUMENTS

- D. 258,221 2/1981 Shimasaki D18/7
- D. 263,957 4/1982 Pemberton D14/107
- D. 279,983 8/1985 Grimes D14/100
- D. 285,562 9/1986 Graham et al. D14/100
- D. 287,013 12/1986 Satherley D14/106
- 4,438,458 3/1984 Münscher 340/700 X
- 4,720,781 1/1988 Crossland et al. 340/700 X
- 4,739,316 4/1988 Yamaguchi et al. 340/711

OTHER PUBLICATIONS

Computer Products, Jun. 1986, p. 17 (IBM PC Convertible Portable Computer).

Micro User's Catalog vol. 1, No. 3 Winter 1986, p. 71 Personal Computer Photocopier.

Primary Examiner—Susan J. Lucas
Assistant Examiner—Freda Selma-Nunn
Attorney, Agent, or Firm—Mason, Fenwick & Lawrence

[57] CLAIM

The ornamental design for a portable computer, as shown and described.

DESCRIPTION

FIG. 1 is a top, front left side perspective view of the portable computer in a closed position showing my new design;

FIG. 2 is a top, front, left side perspective view thereof, the computer in an opened position;

FIG. 3 is a left end elevational view thereof, on an enlarged scale;

FIG. 4 is a right end elevational view thereof, on an enlarged scale, the computer in a closed position;

FIG. 5 is a right end elevational view thereof, on an enlarged scale, the computer in the opened position;

FIG. 6 is a rear elevational view thereof, on an enlarged scale, the computer in the closed position;

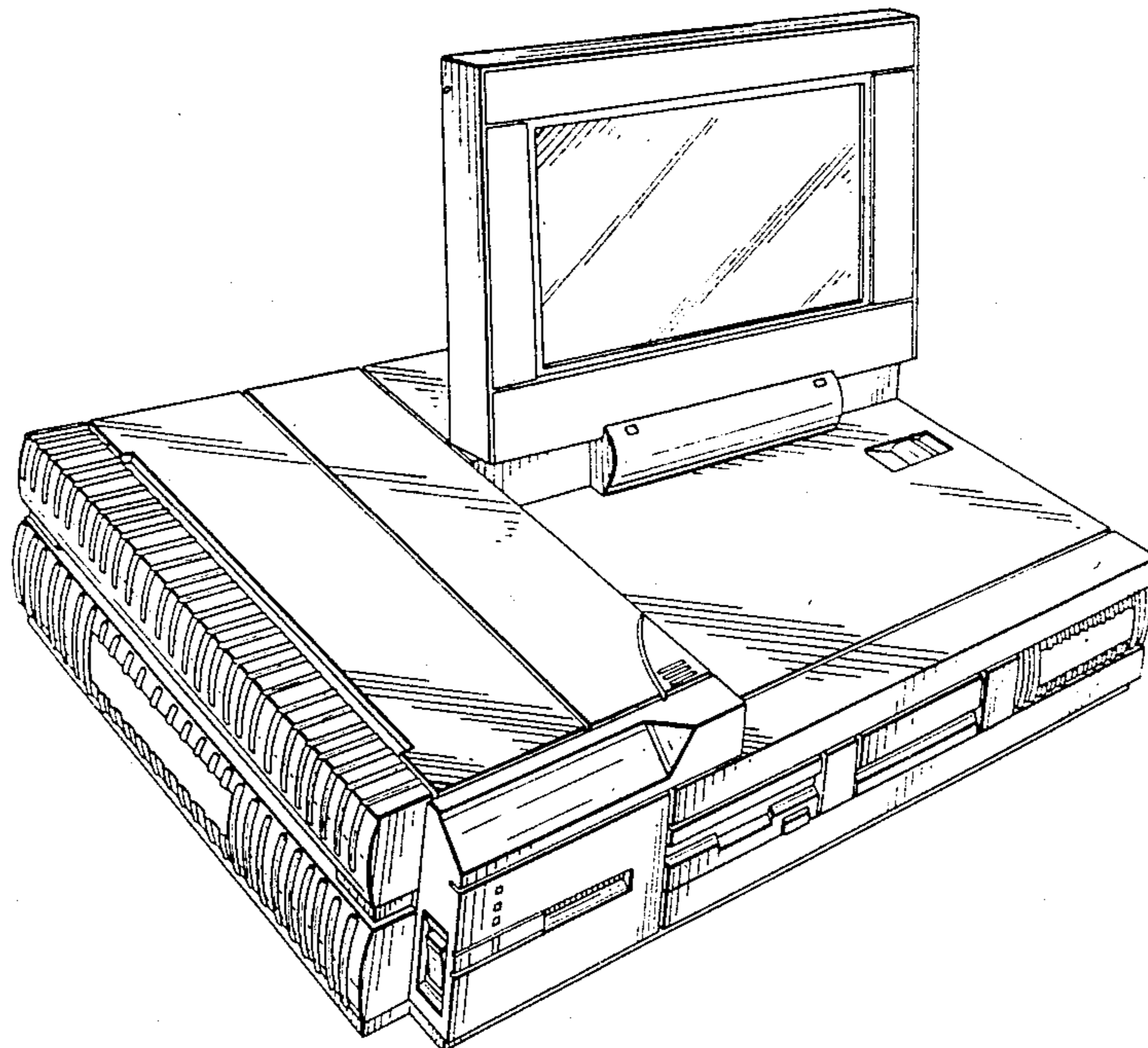
FIG. 7 is a bottom plan view thereof, on an enlarged scale;

FIG. 8 is a top plan view thereof on an enlarged scale, the computer in the closed position;

FIG. 9 is a front elevational view thereof on an enlarged scale, the computer in the closed position;

FIG. 10 is a top plan view thereof on an enlarged scale, and the computer in the open position; and

FIG. 11 is a front elevational view thereof on an enlarged scale, the computer in the opened position.



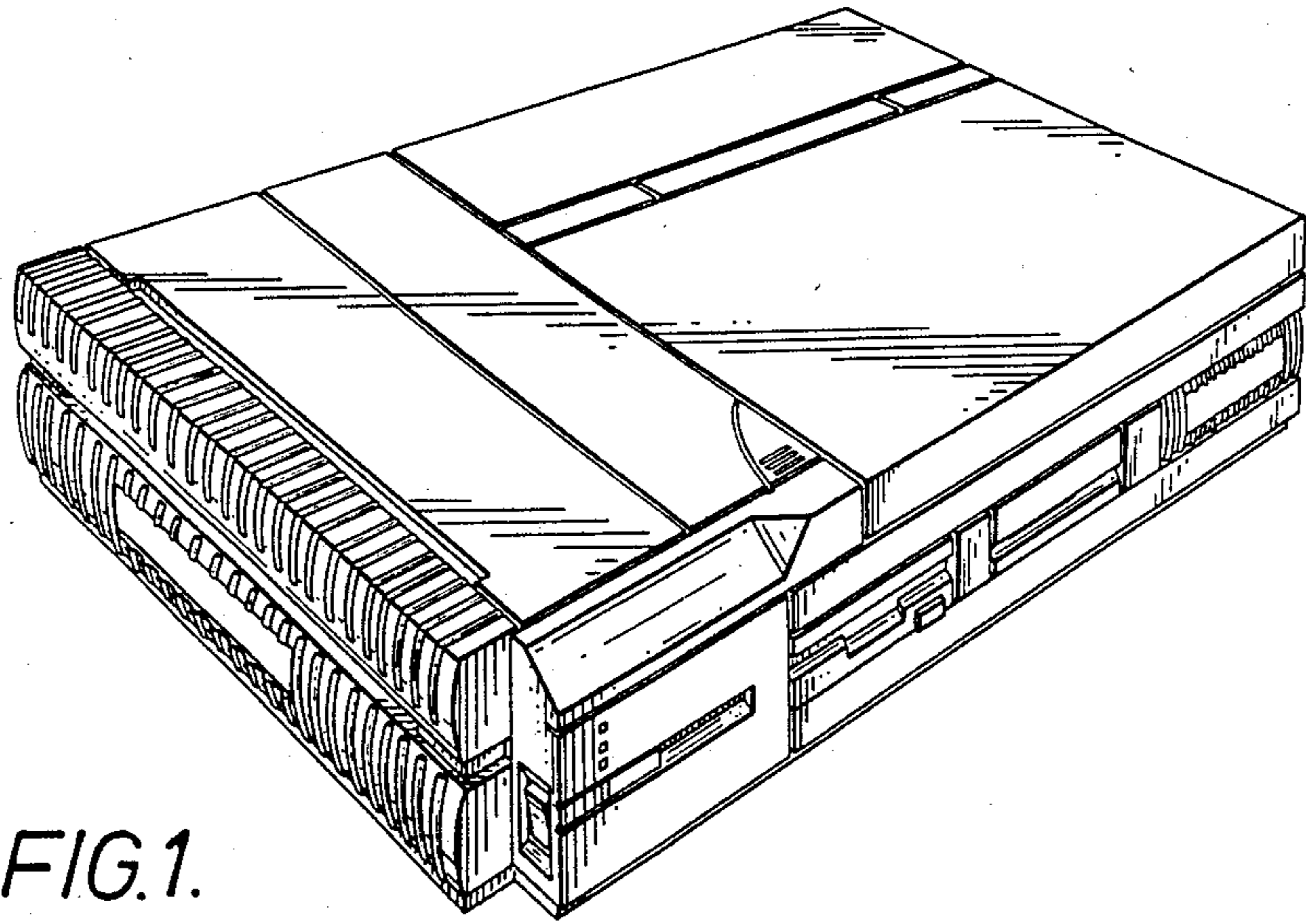


FIG. 1.

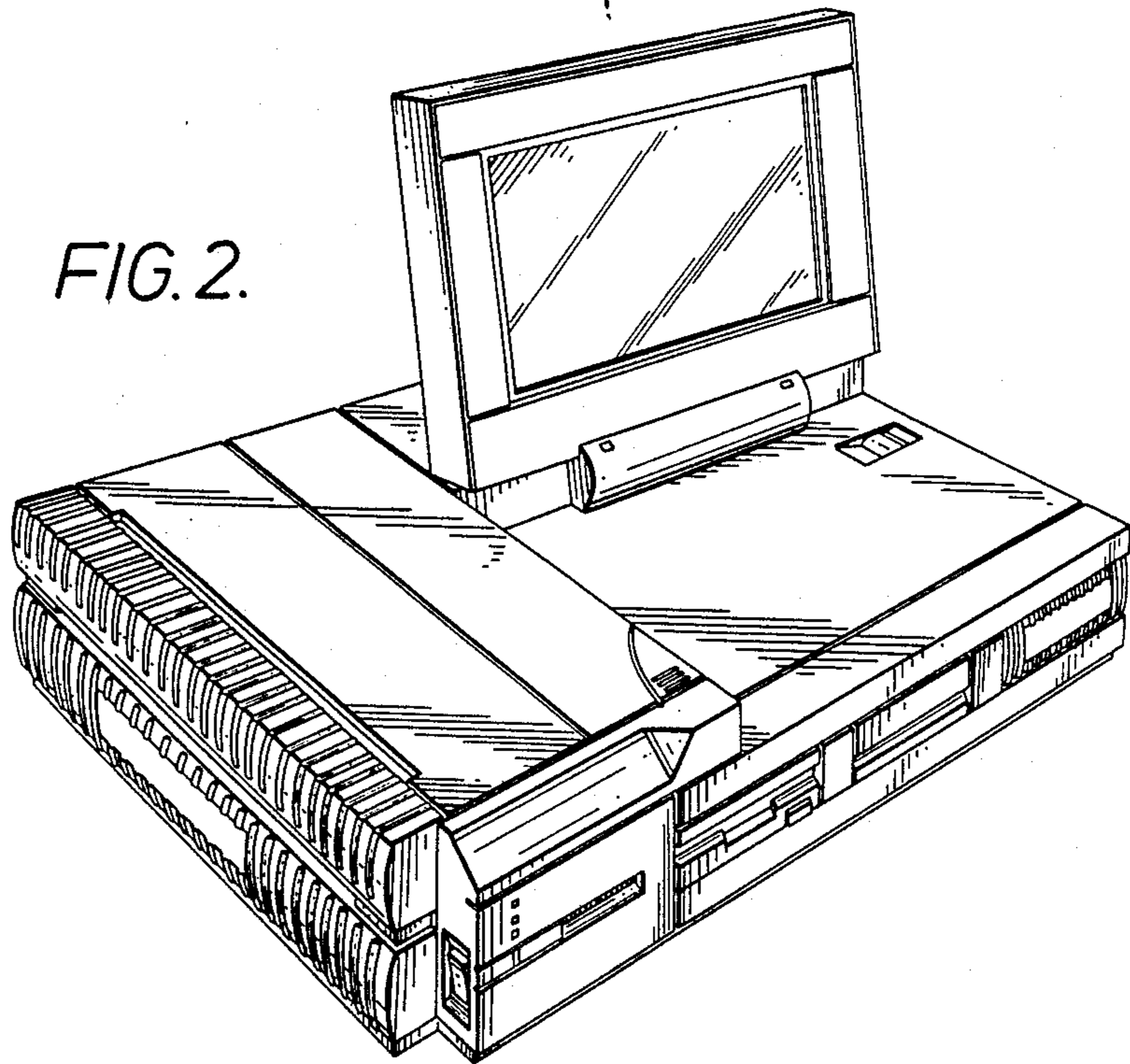


FIG. 2.

FIG. 3.

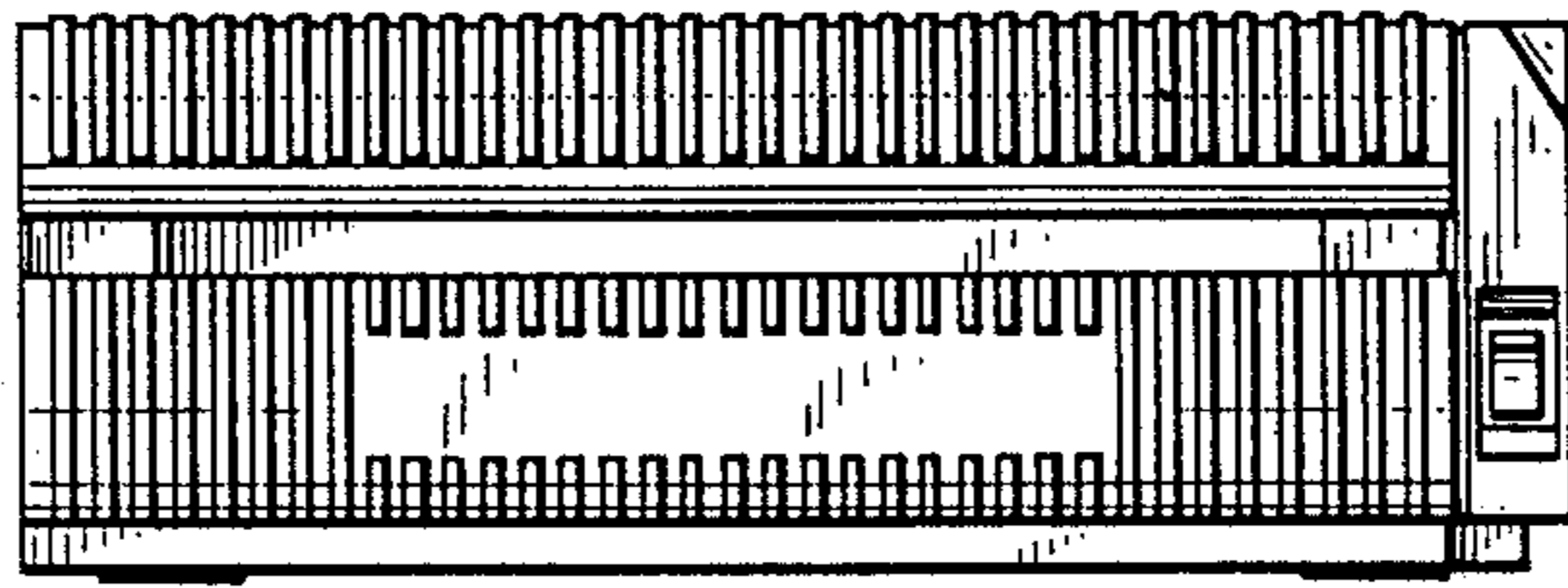


FIG. 4.

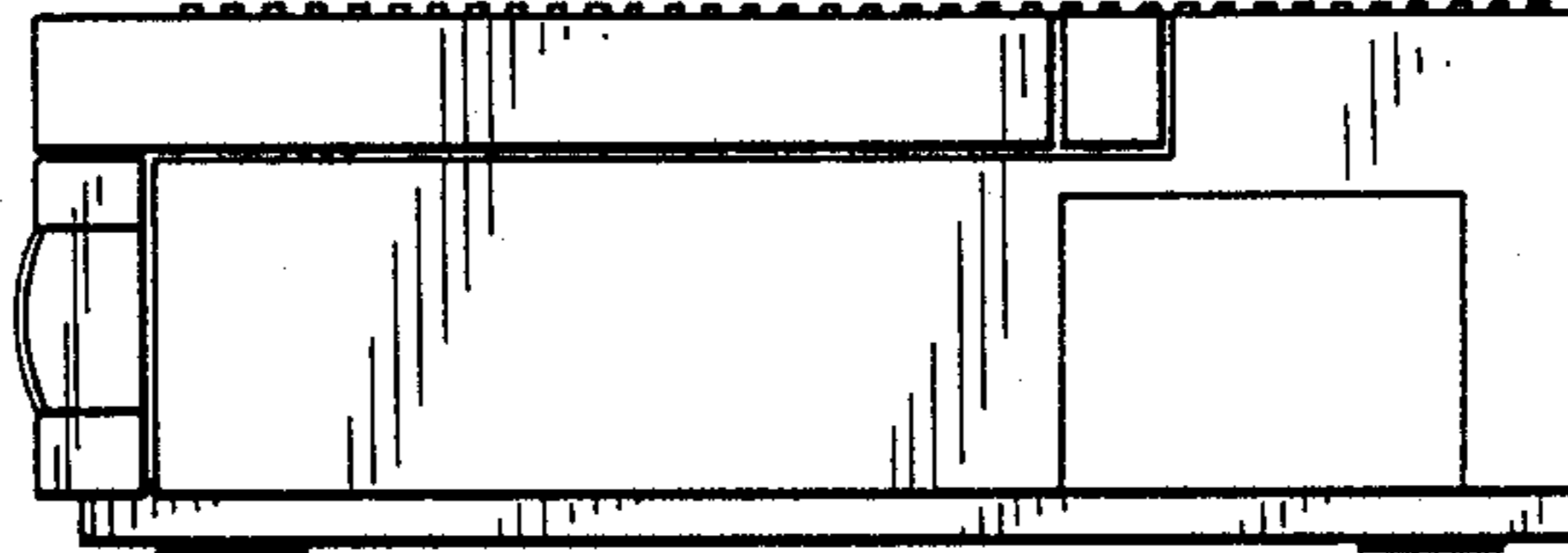


FIG. 5.

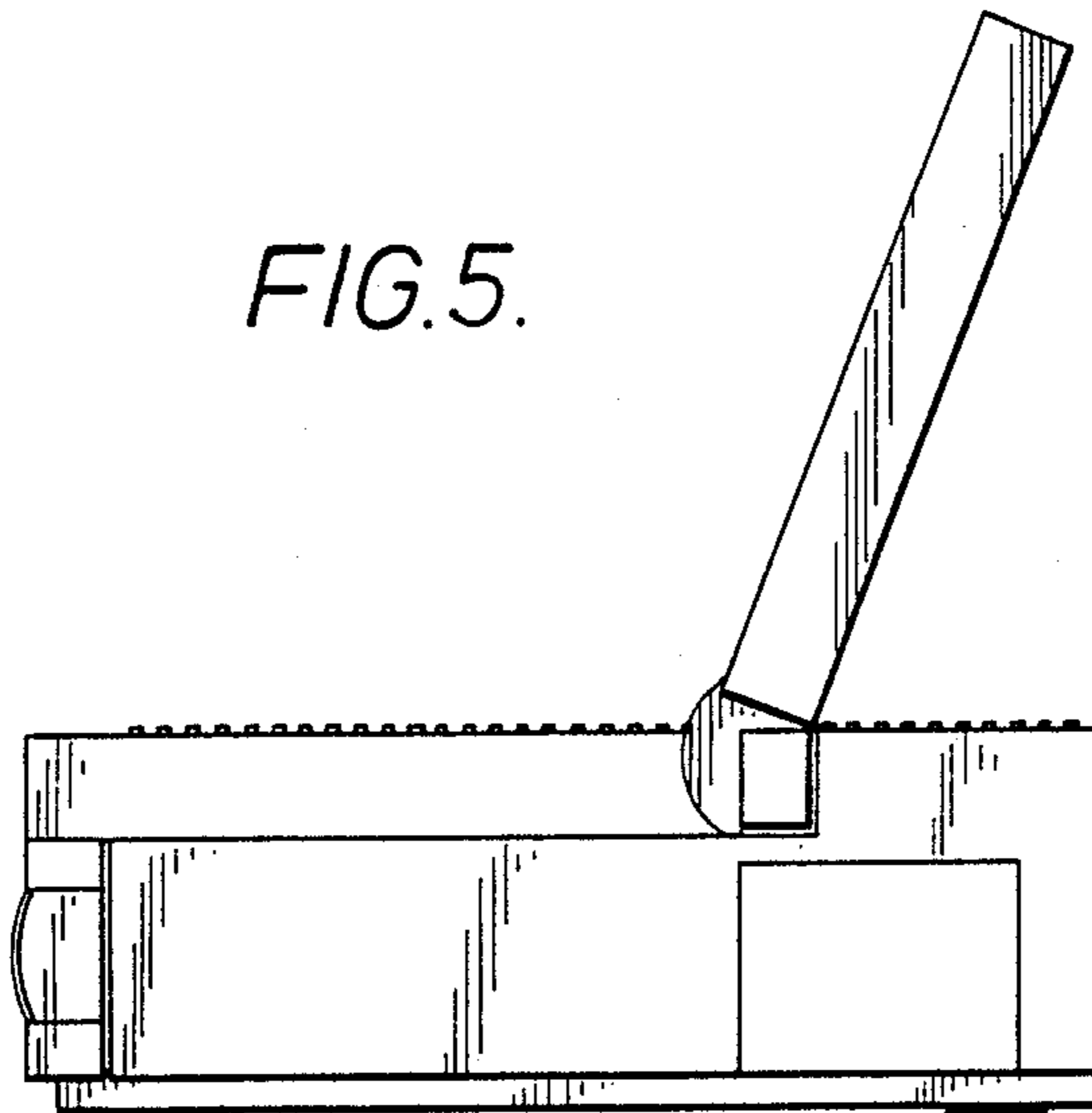


FIG. 6

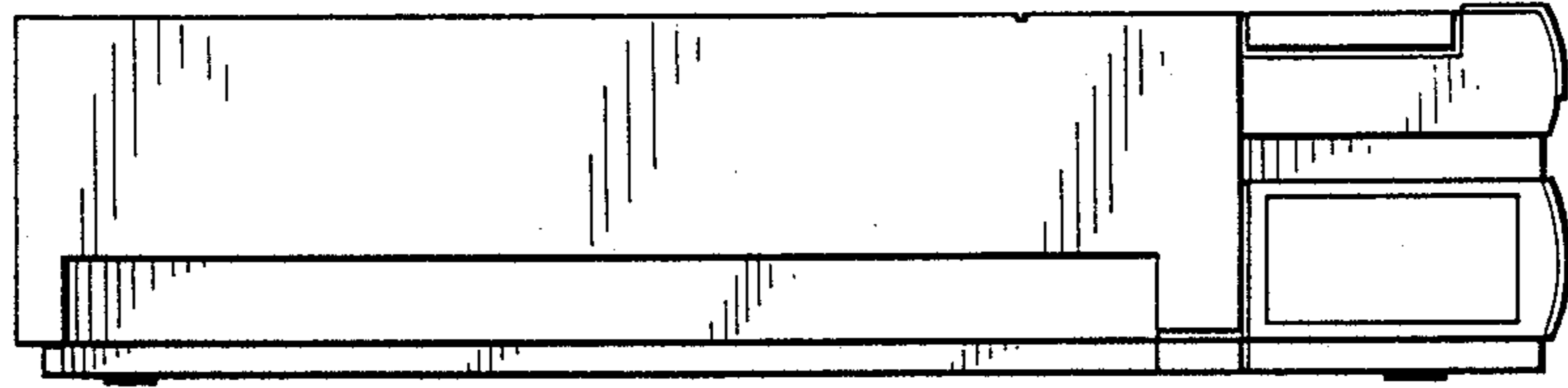


FIG. 7

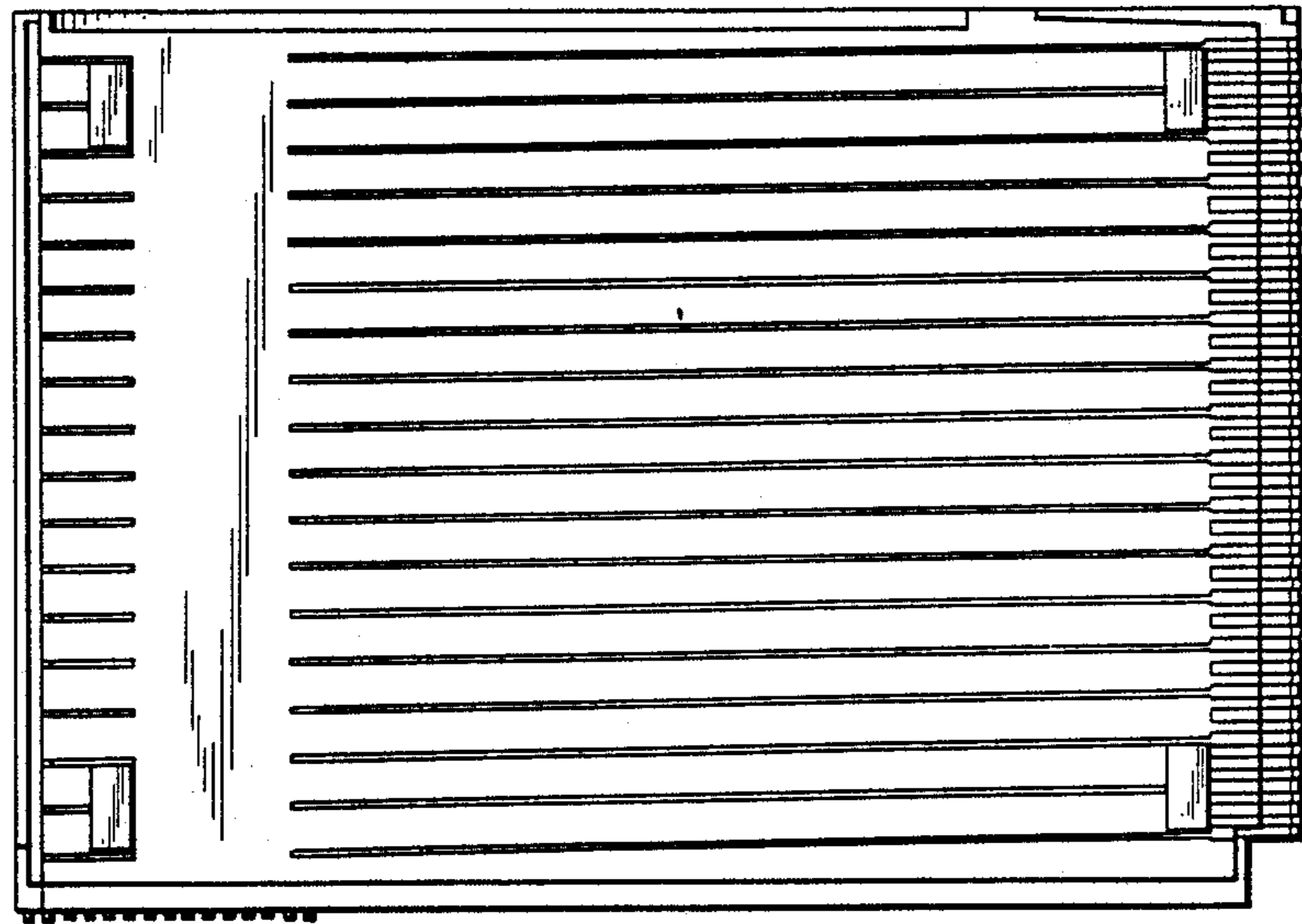


FIG. 8.

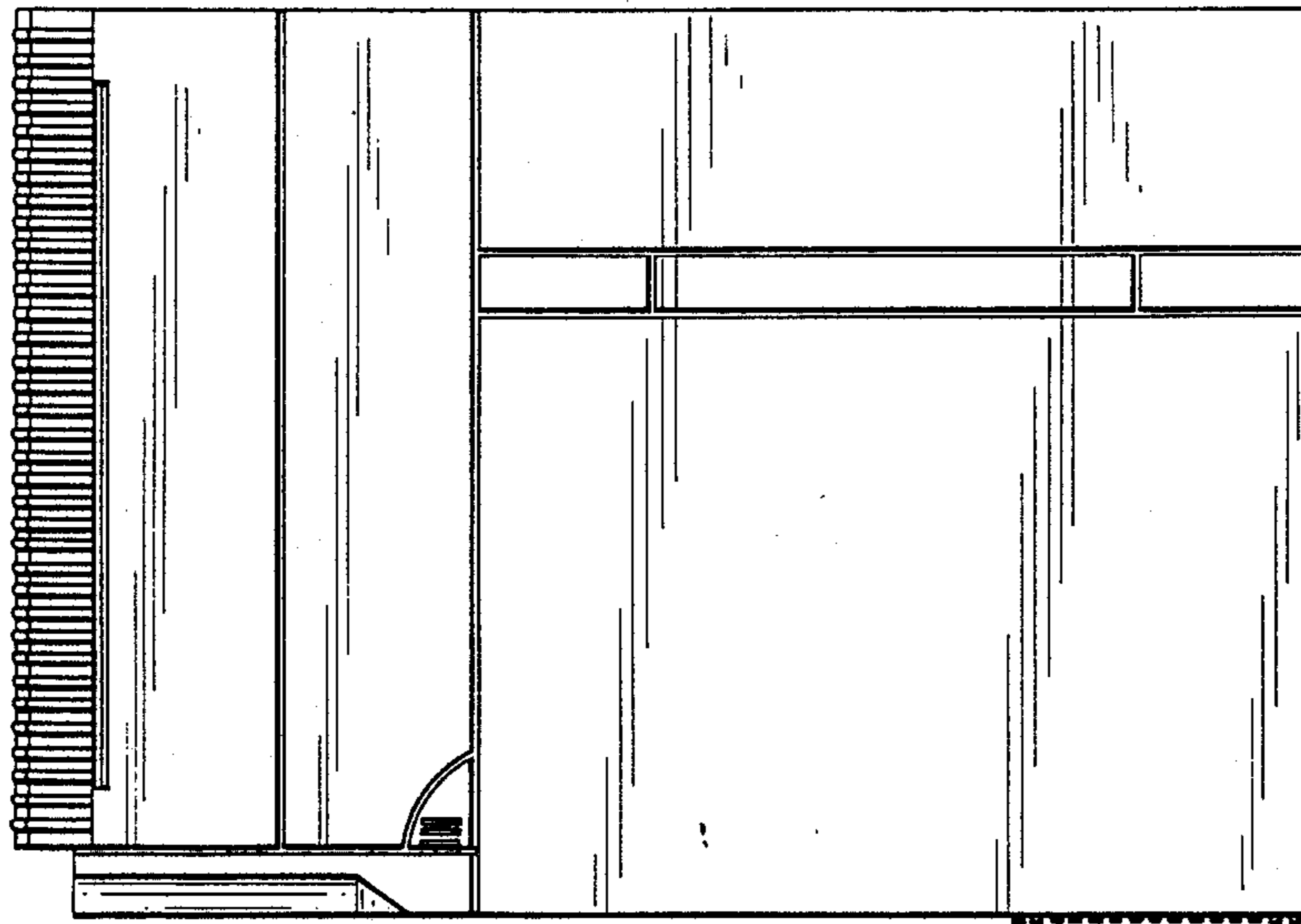


FIG. 9.

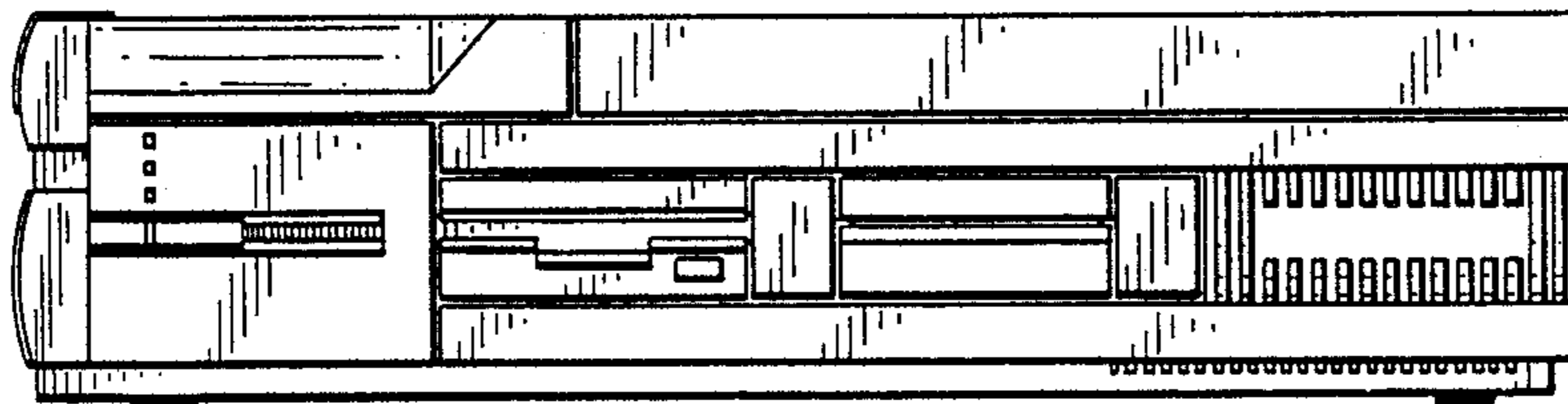


FIG.10.

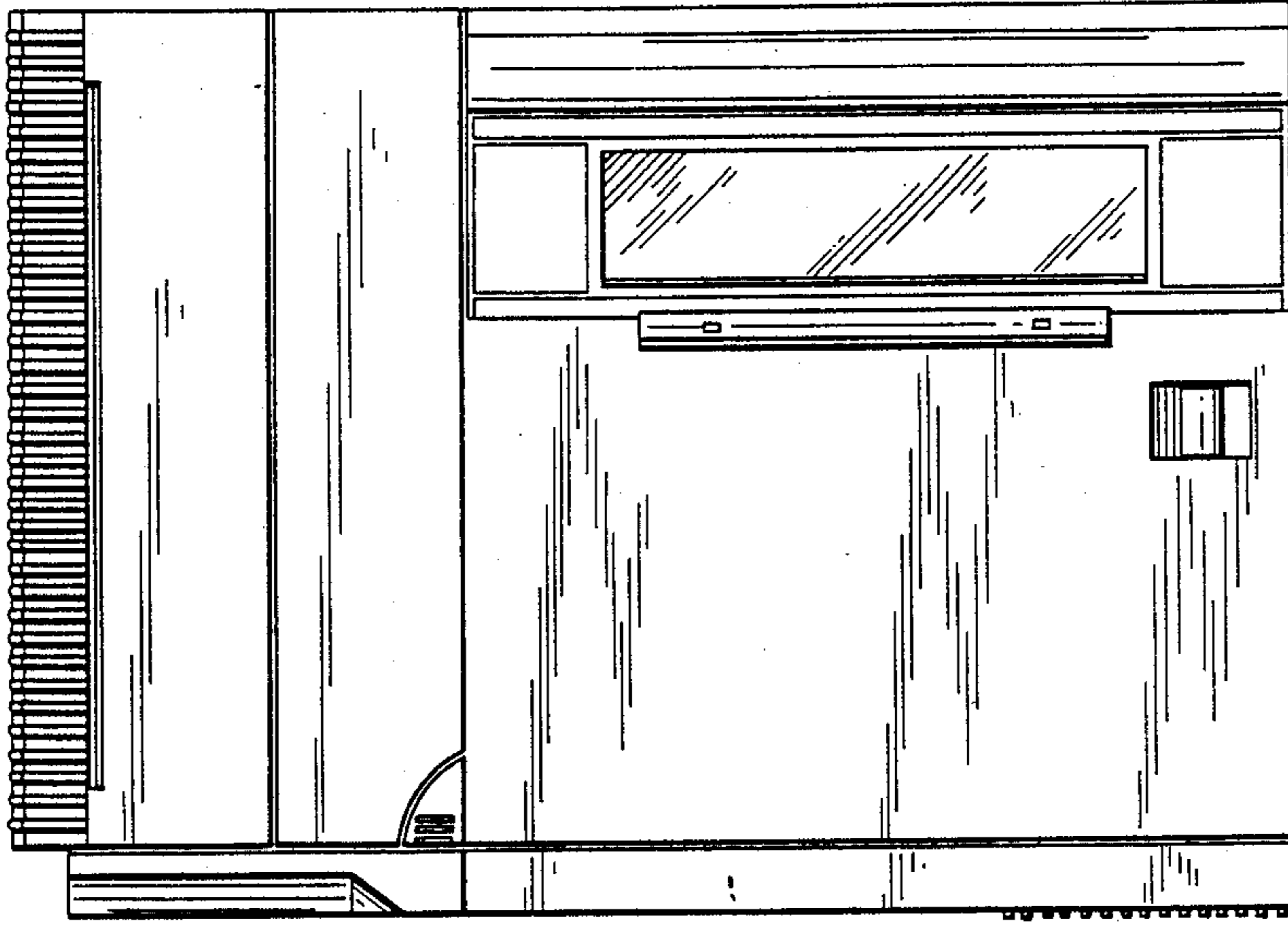


FIG.11.

