

[54] **LOADCENTER**

[75] Inventor: **Anthony R. Cole**, Swindon, United Kingdom

[73] Assignee: **Square D Company**, Palatine, Ill.

[\*\*] Term: **14 Years**

[21] Appl. No.: **209,804**

[22] Filed: **Jun. 22, 1988**

[30] **Foreign Application Priority Data**

Dec. 22, 1987 [GB] United Kingdom ..... 1047306

[52] U.S. Cl. .... **D13/160**

[58] Field of Search ..... D13/4, 11, 34, 35, 40, D13/99; 361/331-334, 336-338, 350, 352, 355-358, 361, 364, 380, 381, 383, 390-392, 394; 174/48, 50, 66; 220/3.2, 3.3, 3.8; 336/90, 92

[56] **References Cited**

**U.S. PATENT DOCUMENTS**

D. 122,844 2/1940 Platz ..... D13/35 X

D. 196,977 11/1963 Goldstein et al. .... D13/35

D. 272,531 2/1984 Thornton et al. .... D13/35

D. 276,152 10/1984 Ault et al. .... D13/35

2,113,744 4/1938 Pixley et al. .... 361/364

*Primary Examiner*—Susan J. Lucas

*Assistant Examiner*—Joel Sincavage

*Attorney, Agent, or Firm*—Richard T. Guttman; Jose W. Jimenez

[57] **CLAIM**

The ornamental design for a loadcenter, as shown and described.

**DESCRIPTION**

FIG. 1 is a front, lower left perspective view of a loadcenter showing my new design;

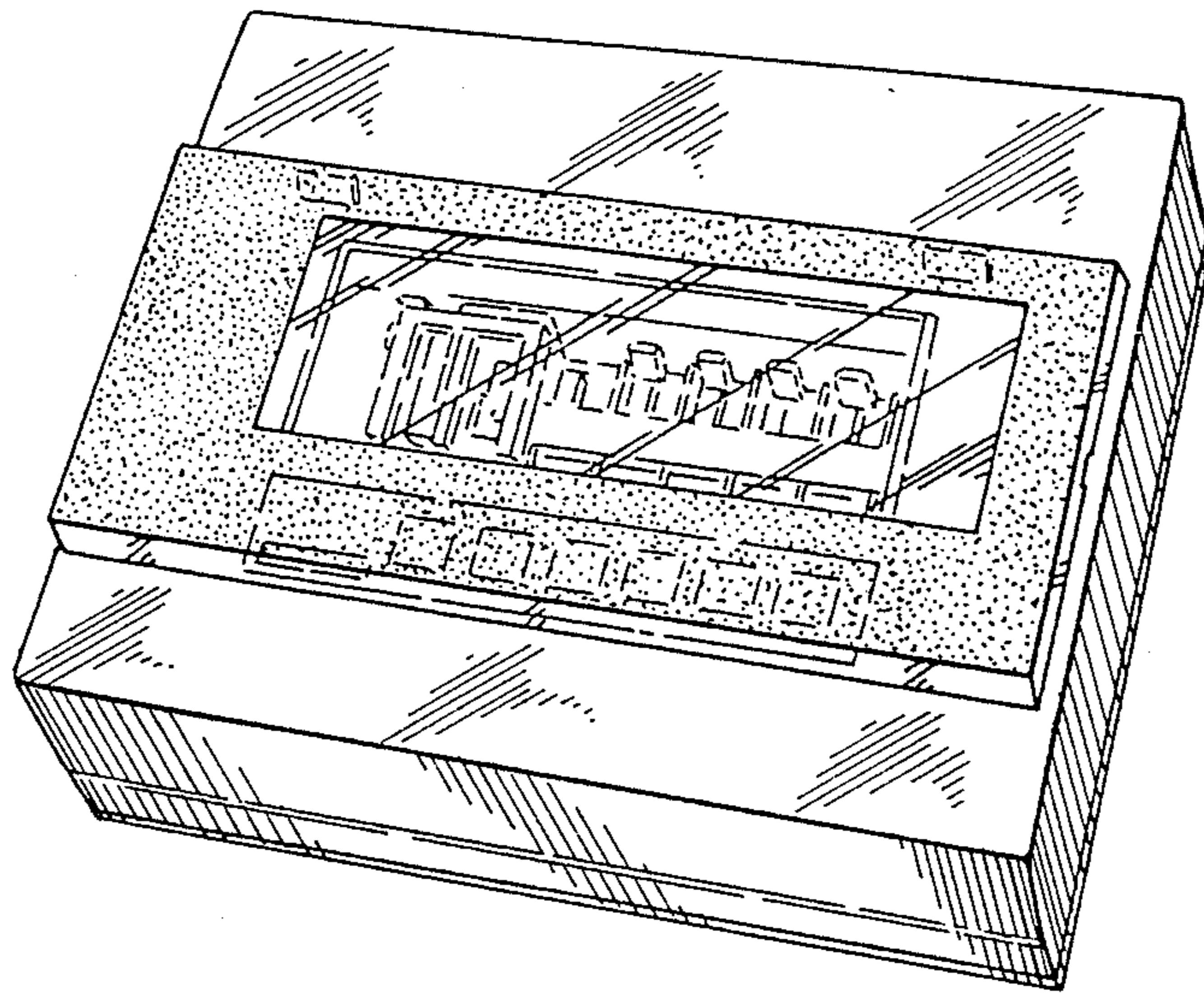
FIG. 2 is a front, right perspective view thereof.

FIG. 3 is a rear perspective view thereof.

FIG. 4 is a bottom perspective view thereof, the top and opposite perspective view being a mirror image; and

FIG. 5 is a right side perspective view thereof.

Portions of the drawing disclosure shown in broken lines are for illustrative purposes only and form no part of the claimed design.



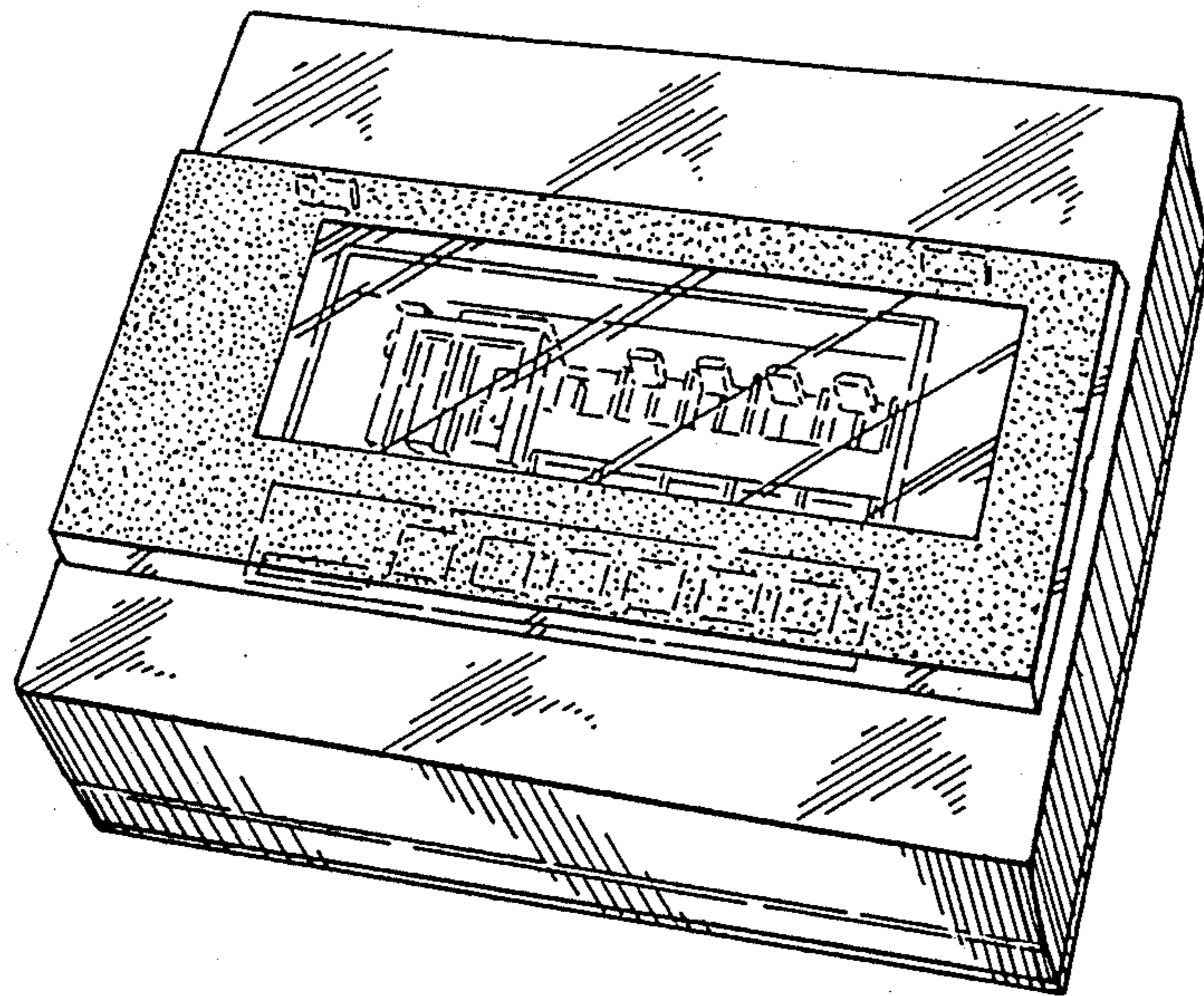


Fig. 1

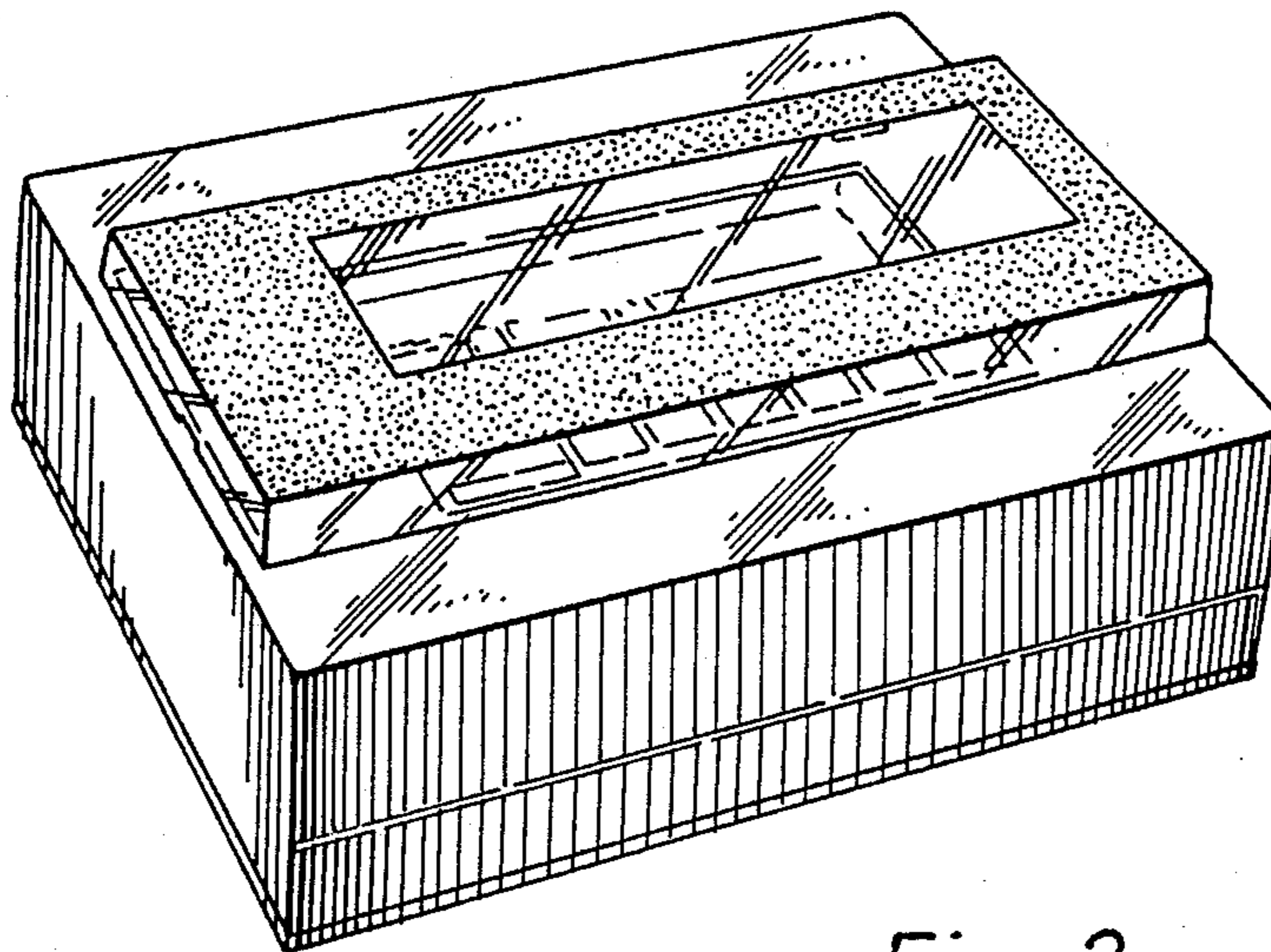


Fig. 2

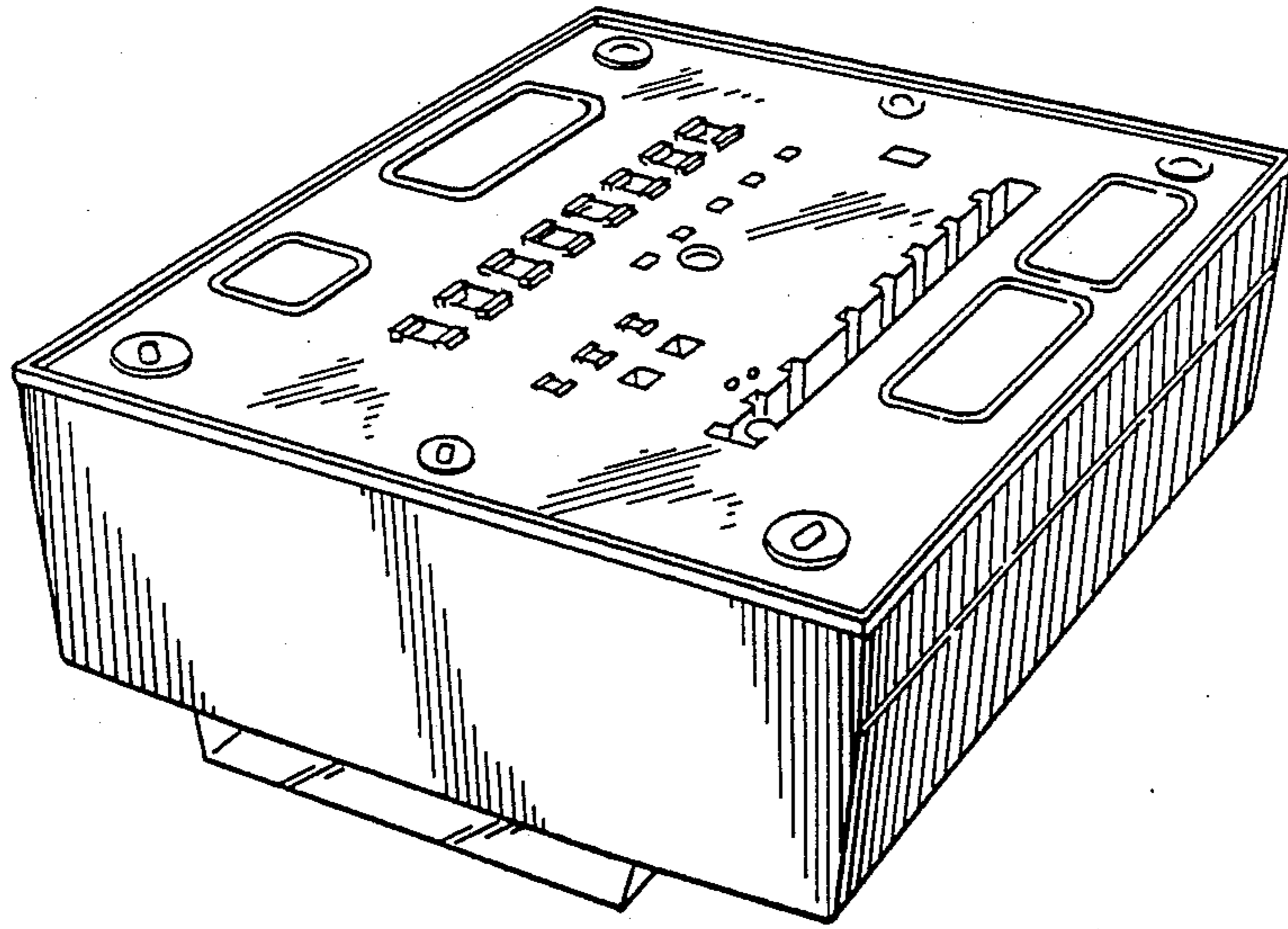


Fig. 3

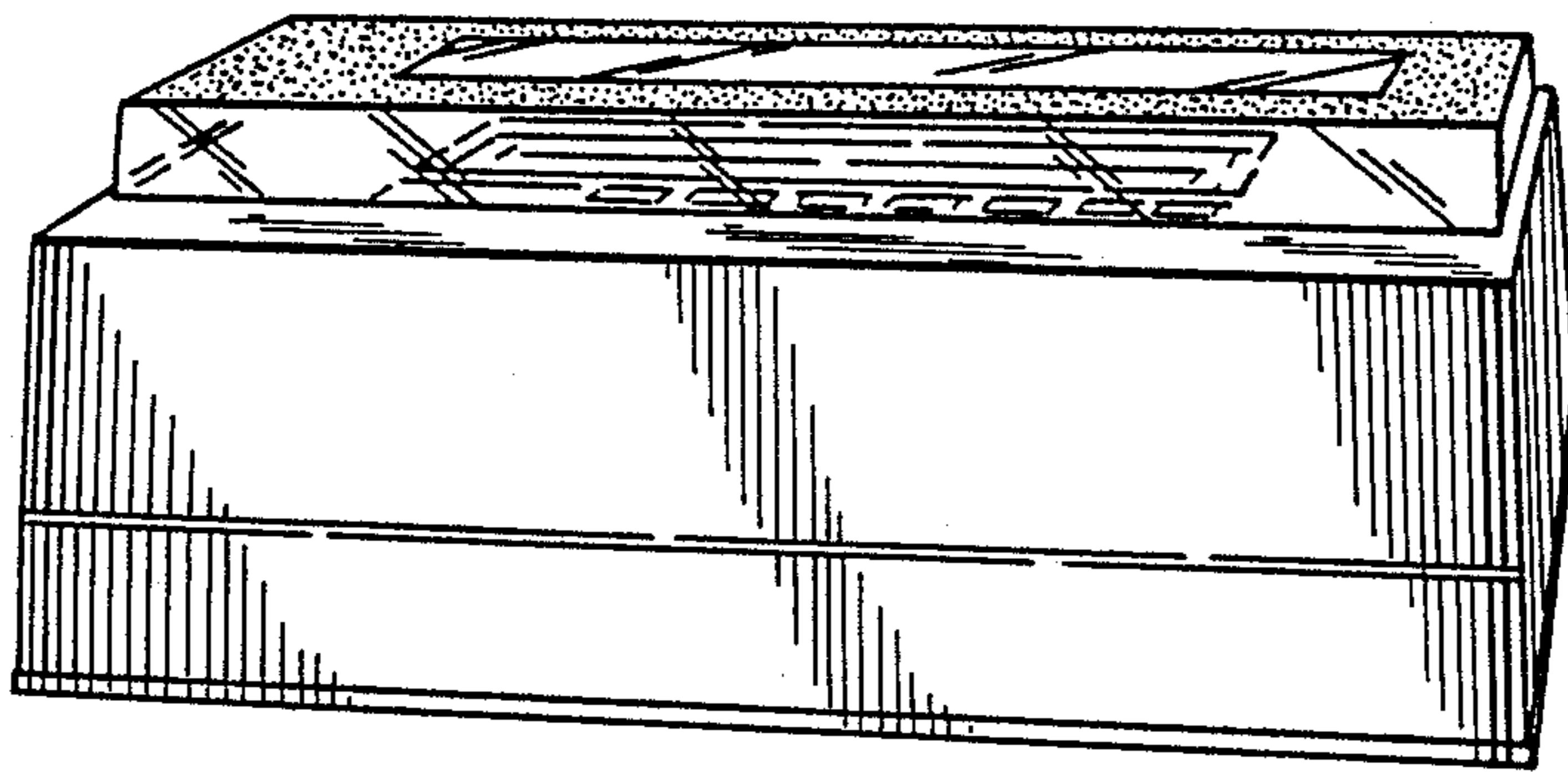
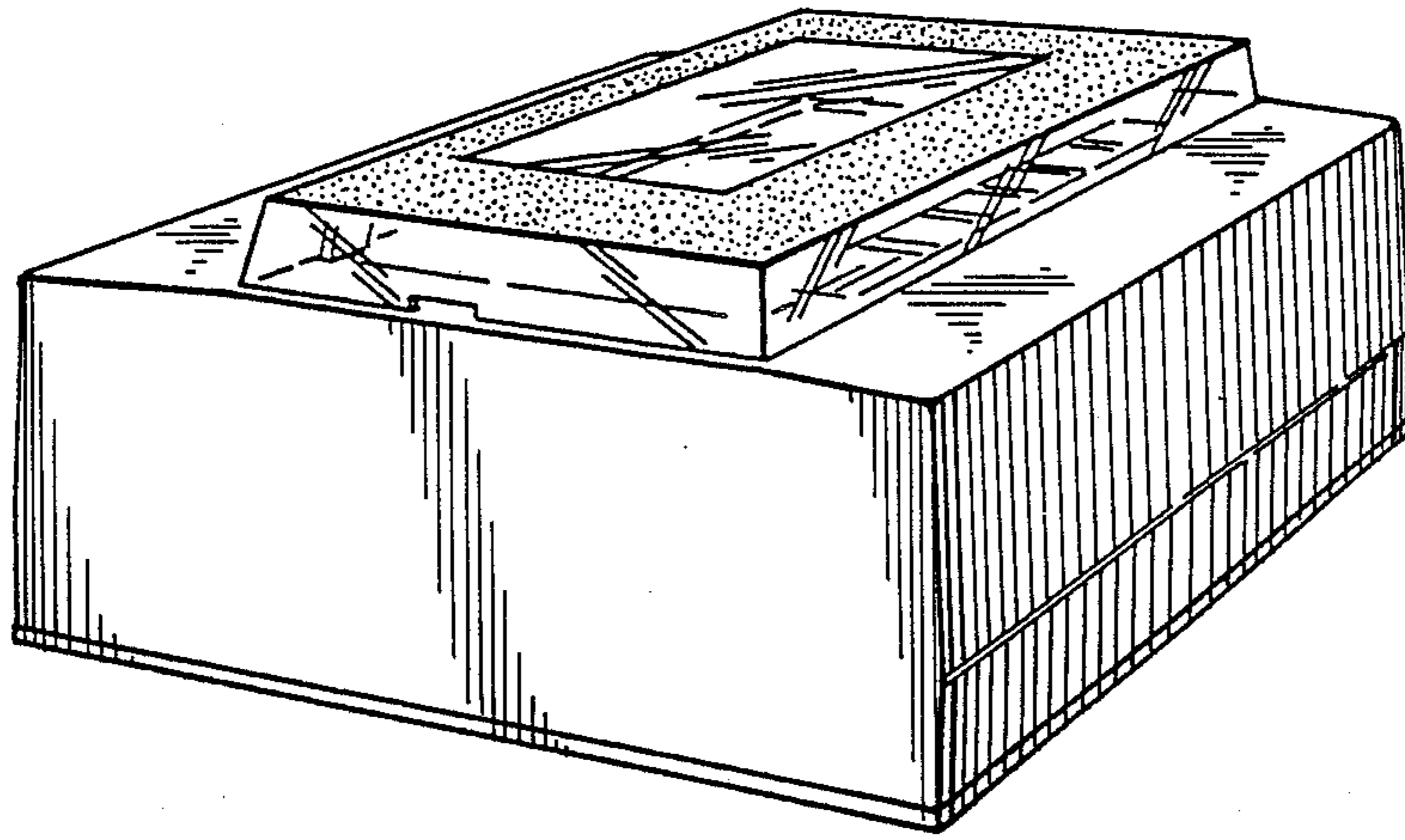


Fig. 4



*Fig. 5*