

[54] FLUORESCENT LAMP HOLDER

[75] Inventor: Robert J. Zuklie, Madison, Conn.

[73] Assignee: Tower Manufacturing Corporation, Providence, R.I.

[\*\*] Term: 14 Years

[21] Appl. No.: 947,766

[22] Filed: Dec. 23, 1986

[52] U.S. Cl. .... D13/134

[58] Field of Search ..... D26/1, 2, 3; 313/318; D13/24, 25; 439/226, 232, 235, 239, 242, 356

[56] References Cited

U.S. PATENT DOCUMENTS

D. 283,121	3/1986	Oesterheld et al. ....	D13/25
2,595,515	5/1952	Doane .....	439/232
3,058,084	10/1962	Cutter .....	439/232

FOREIGN PATENT DOCUMENTS

635104	2/1962	Italy .....	439/242
6509924	2/1966	Netherlands .....	439/242

Primary Examiner—Susan J. Lucas

Attorney, Agent, or Firm—Salter & Michaelson

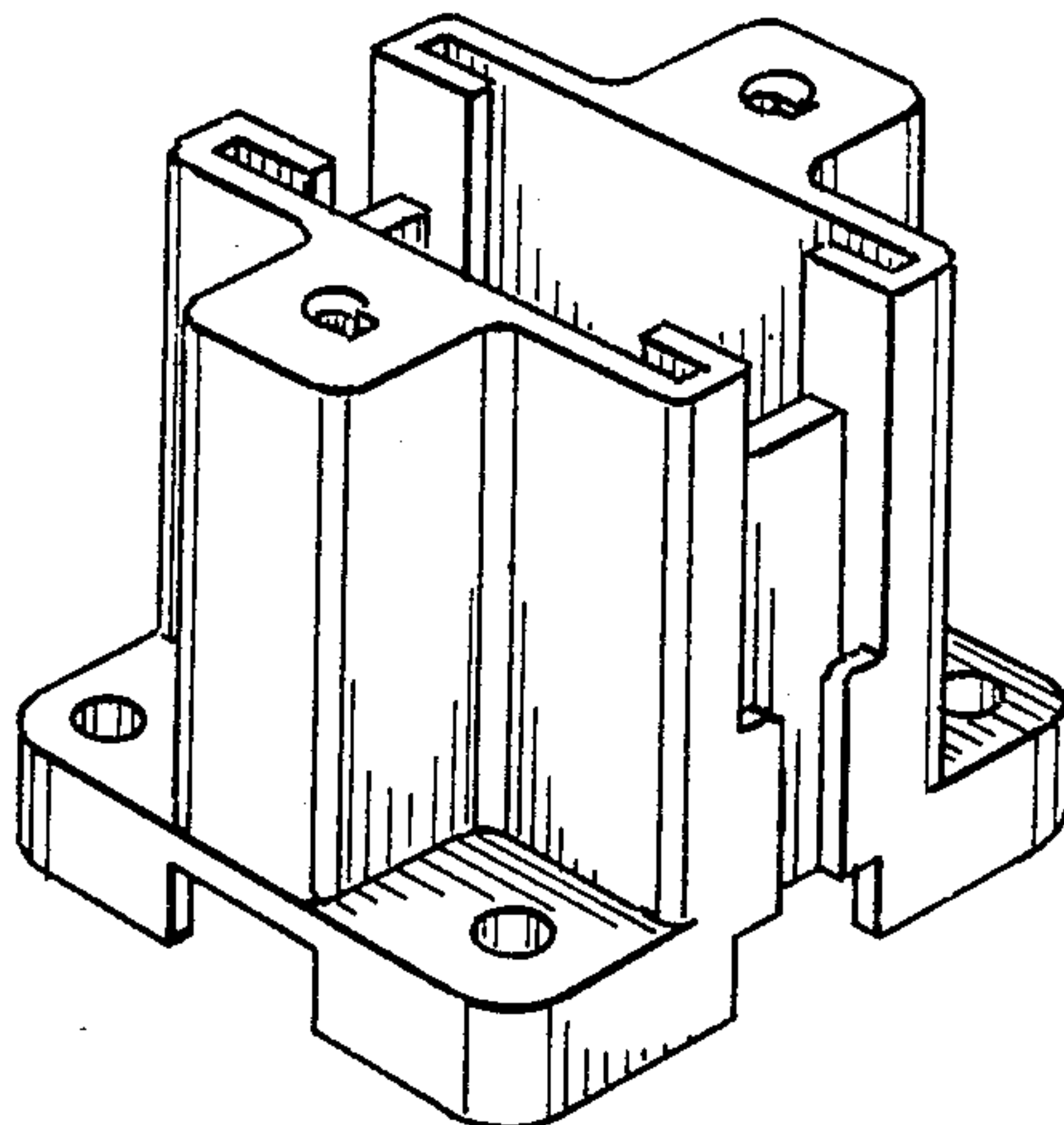
[57] CLAIM

The ornamental design for a fluorescent lamp holder, as shown and described.

DESCRIPTION

FIG. 1 is a side elevational view of a fluorescent lamp holder showing my new design, the opposite side being a mirror image thereof;  
 FIG. 2 is a top plan view thereof;  
 FIG. 3 is a bottom plan view thereof;  
 FIG. 4 is an end elevational view thereof, the opposite end being a mirror image thereof;  
 FIG. 5 is a side elevational view of a second embodiment of my new design;  
 FIG. 6 is a top plan view thereof;  
 FIG. 7 is a bottom plan view thereof;  
 FIG. 8 is an end elevational view thereof; the opposite end being a mirror image thereof;  
 FIG. 9 is a side elevational view of a third embodiment of my new design;

FIG. 10 is a top plan view thereof;  
 FIG. 11 is a bottom plan view thereof;  
 FIG. 12 is an end view thereof, the opposite end being a mirror image thereof;  
 FIG. 13 is a side elevational view of a fourth embodiment of my new design;  
 FIG. 14 is a top plan view thereof;  
 FIG. 15 is a bottom plan view thereof;  
 FIG. 16 is an end elevational view thereof, the opposite end being a mirror image thereof;  
 FIG. 17 is a side elevational view of a fifth embodiment of my design;  
 FIG. 18 is a top plan view thereof;  
 FIG. 19 is a bottom plan view thereof;  
 FIG. 20 is an end elevational view thereof, the opposite end being a mirror image thereof;  
 FIG. 21 is a side elevational view of a sixth embodiment of my design;  
 FIG. 22 is a top plan view thereof;  
 FIG. 23 is a bottom plan view thereof;  
 FIG. 24 is an end elevational view thereof, the opposite end being a mirror image thereof;  
 FIG. 25 is a side elevational view of a seventh embodiment of my design;  
 FIG. 26 is a top plan view thereof;  
 FIG. 27 is an end elevational view thereof, the opposite end being a mirror image thereof;  
 FIG. 28 is an elevational view of the side opposite from that shown in FIG. 25;  
 FIG. 29 is a bottom plan view thereof;  
 FIG. 30 is a side elevational view of an eighth embodiment of my design;  
 FIG. 31 is a top plan view thereof;  
 FIG. 32 is an end elevational view thereof, the opposite end being a mirror image thereof;  
 FIG. 33 is an elevational view of the side opposite from that shown in FIG. 30; and  
 FIG. 34 is a bottom plan view thereof.  
 FIG. 35 is a perspective view of the socket illustrated in FIGS. 1 through 4;  
 FIG. 36 is a perspective view of the socket illustrated in FIGS. 5 through 8;  
 FIG. 37 is a perspective view of the socket illustrated in FIGS. 9 through 12;  
 FIG. 38 is a perspective view of the socket illustrated in FIGS. 13 through 16;



## Des. 307,001

Page 2

---

FIG. 39 is a perspective view of the socket illustrated in FIGS. 17 through 20;

FIG. 40 is a perspective view of the socket illustrated in FIGS. 21 through 24;

FIG. 41 is a perspective view of the socket illustrated in FIGS. 25 through 29; and

FIG. 42 is a perspective view of the socket illustrated in FIGS. 30 through 34.

The ornamental design for a fluorescent lamp holder, as shown and described.

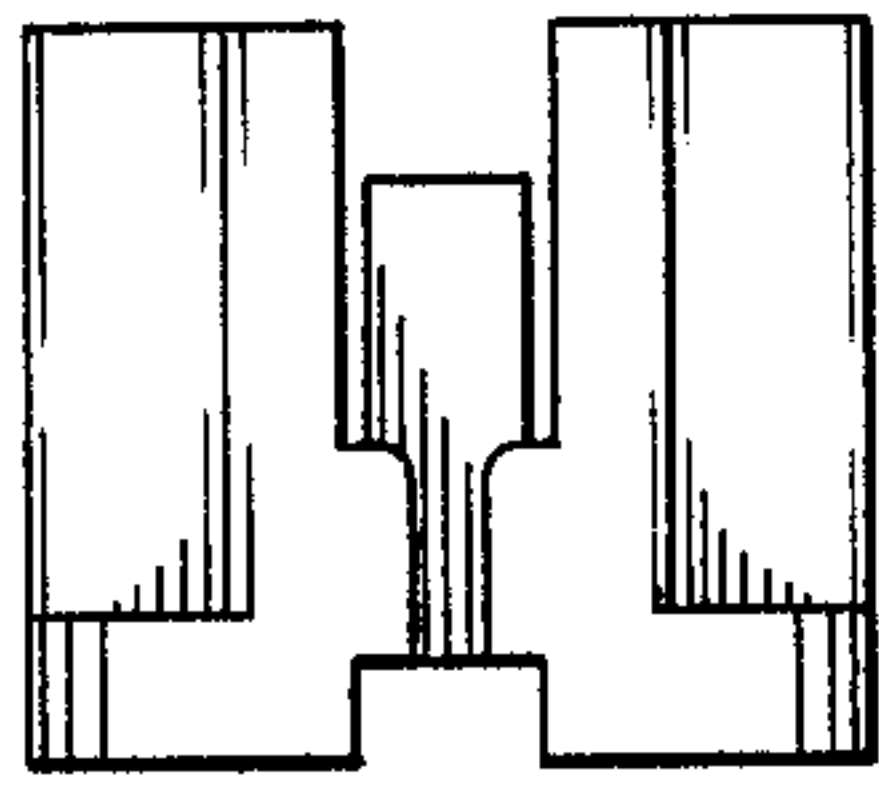


FIG. 1

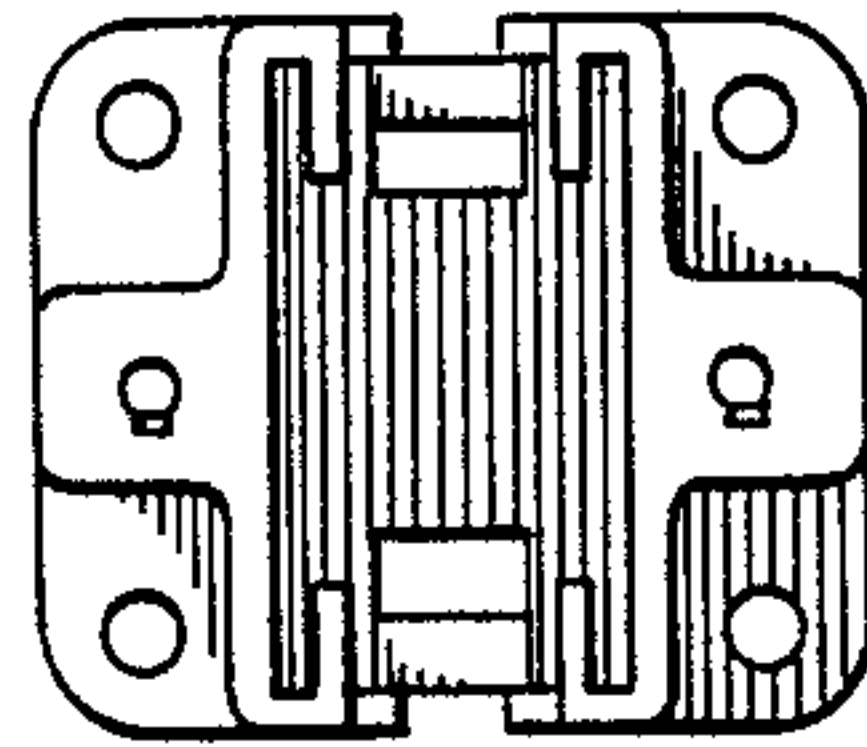


FIG. 2

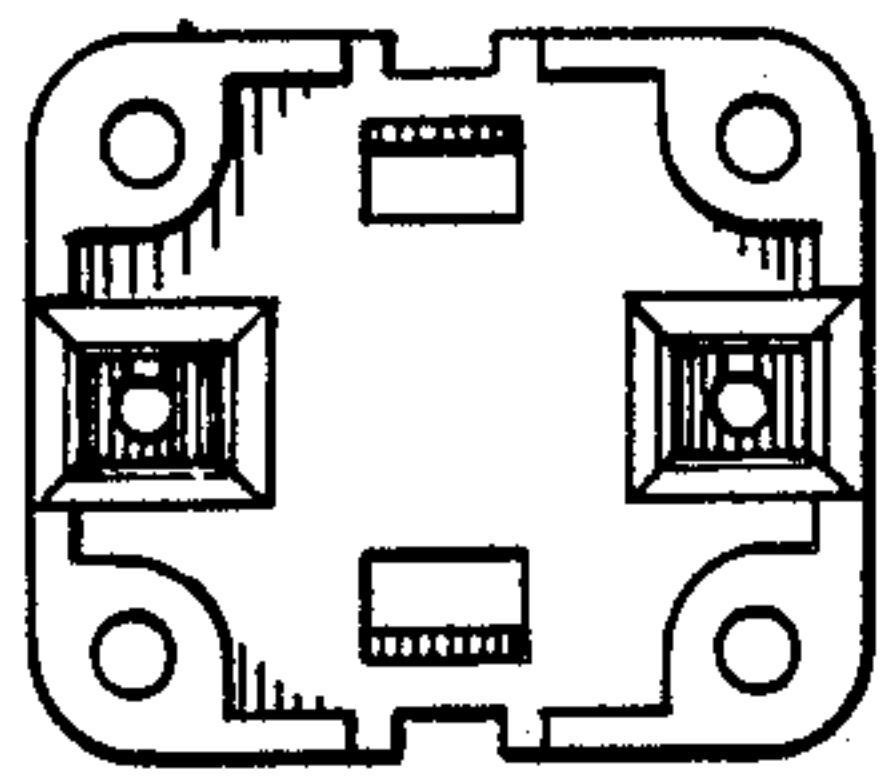


FIG. 3

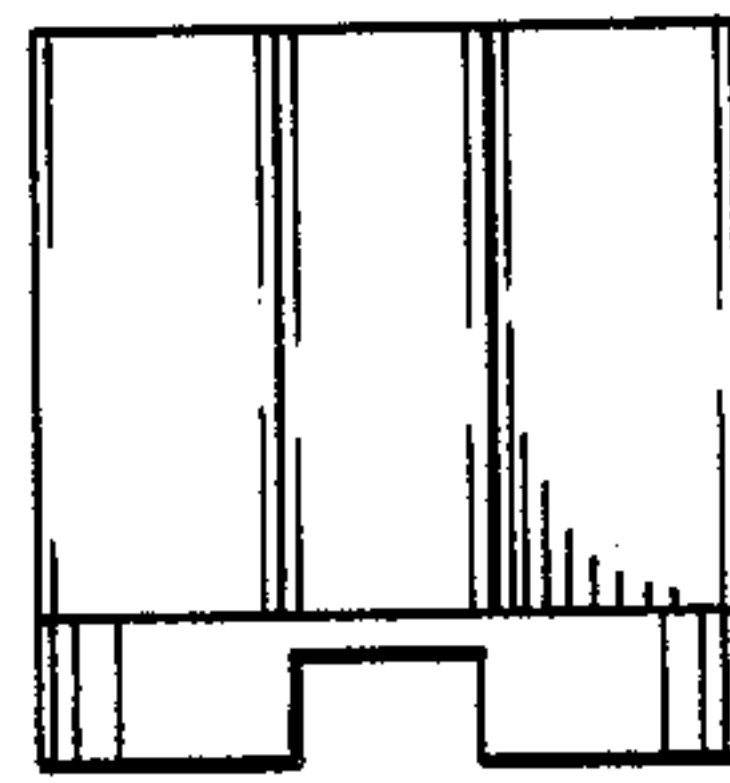


FIG. 4

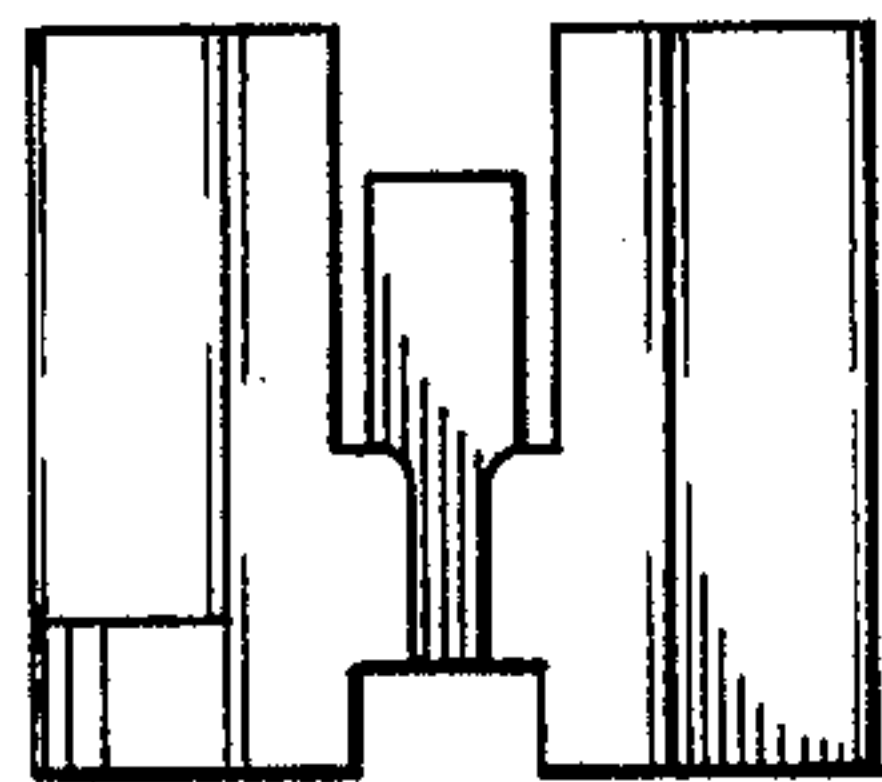


FIG. 5

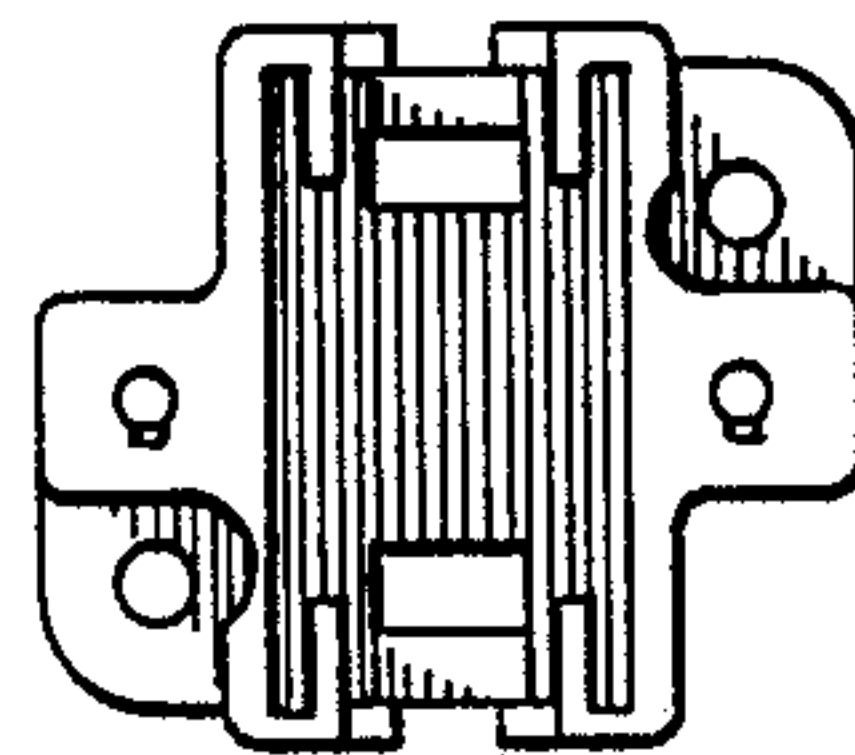


FIG. 6

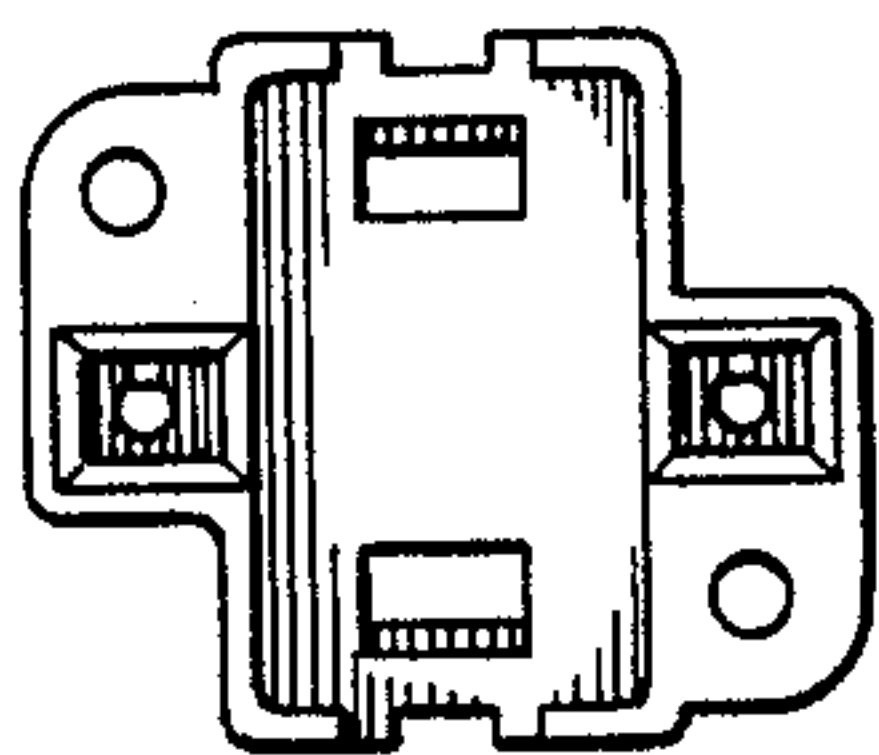


FIG. 7

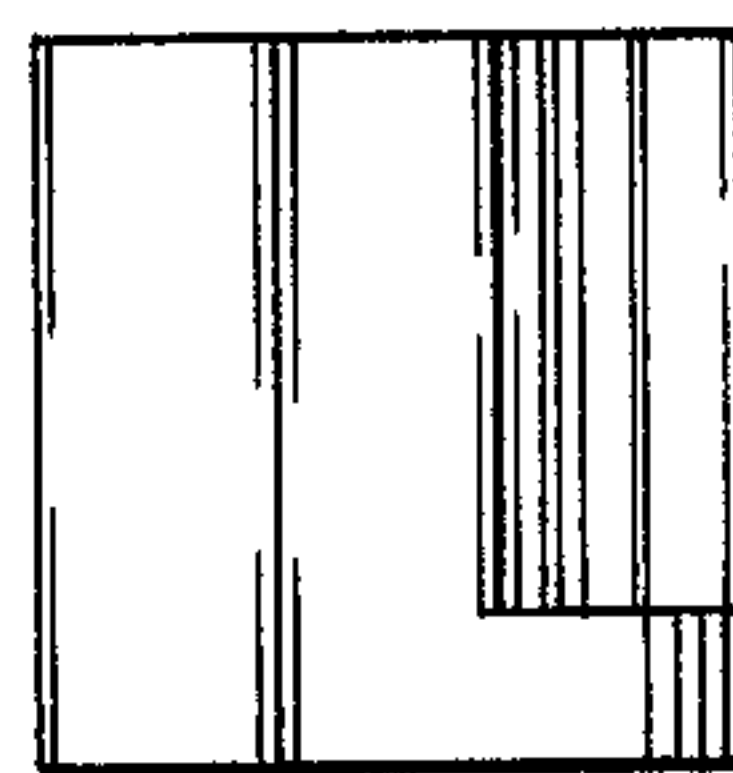


FIG. 8

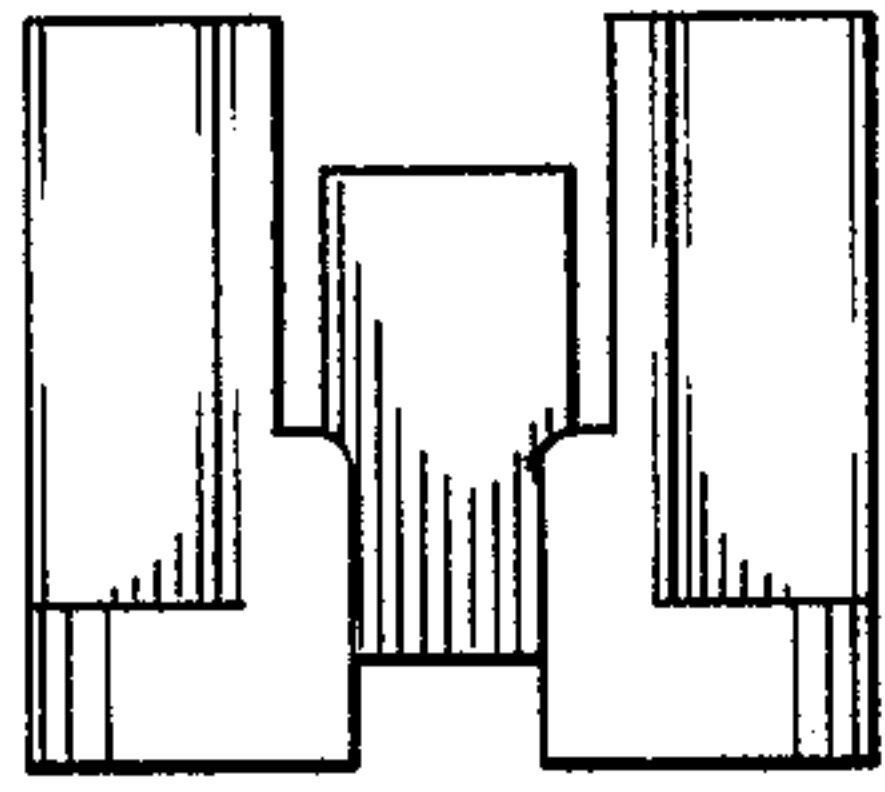


FIG. 9

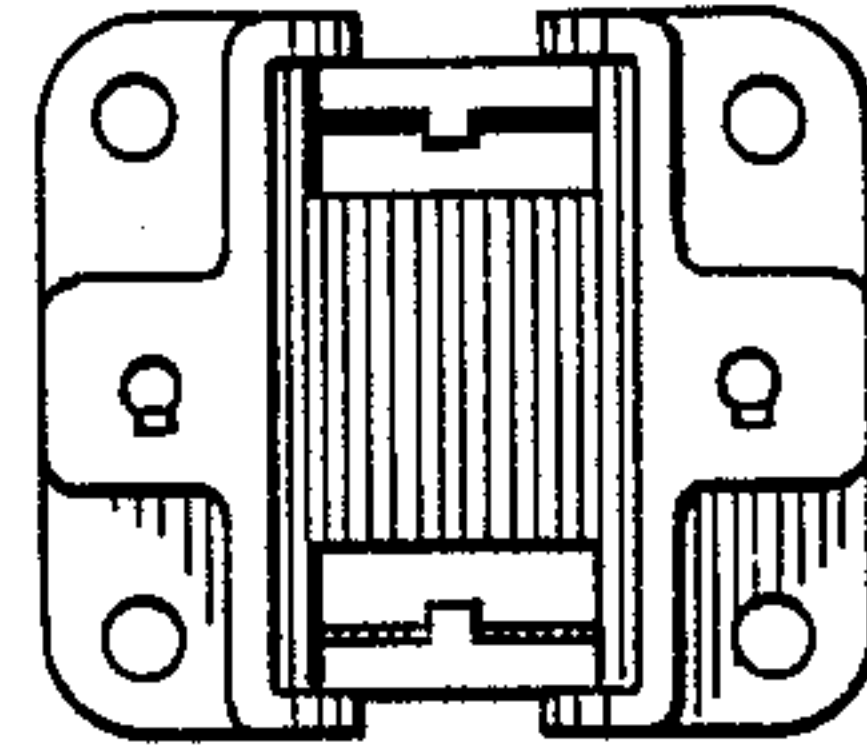


FIG. 10

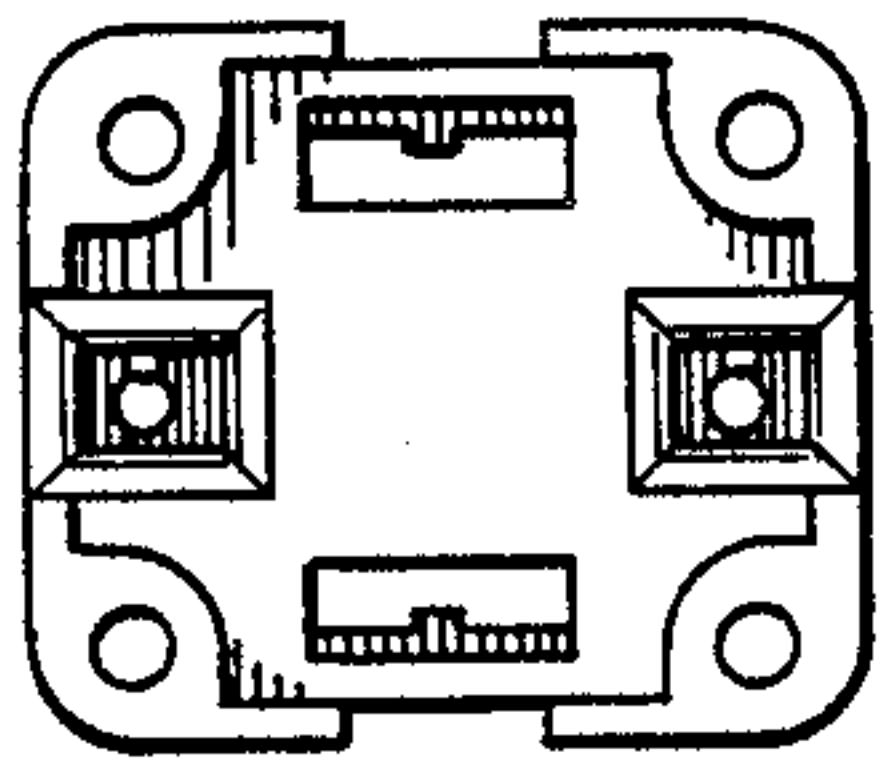


FIG. 11

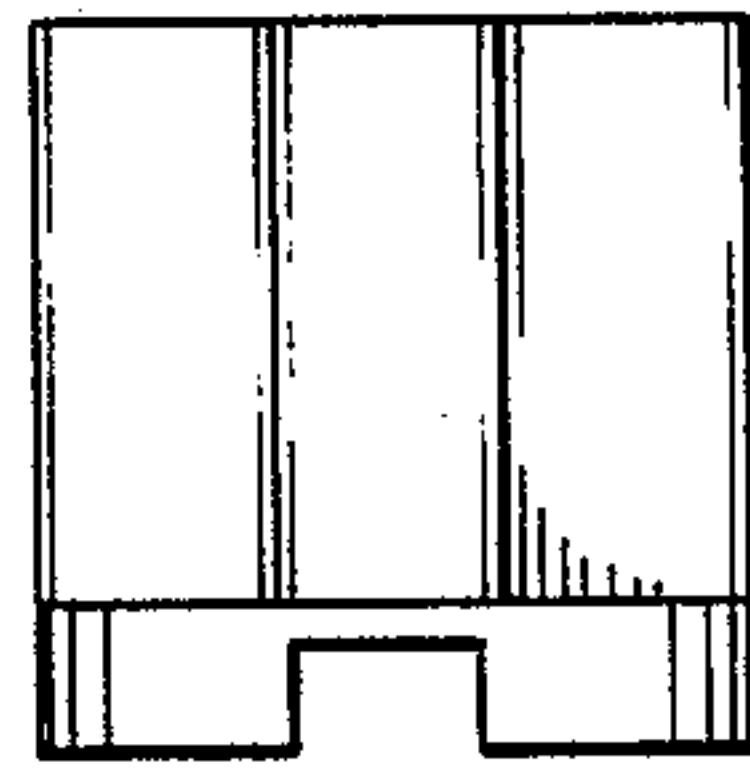


FIG. 12

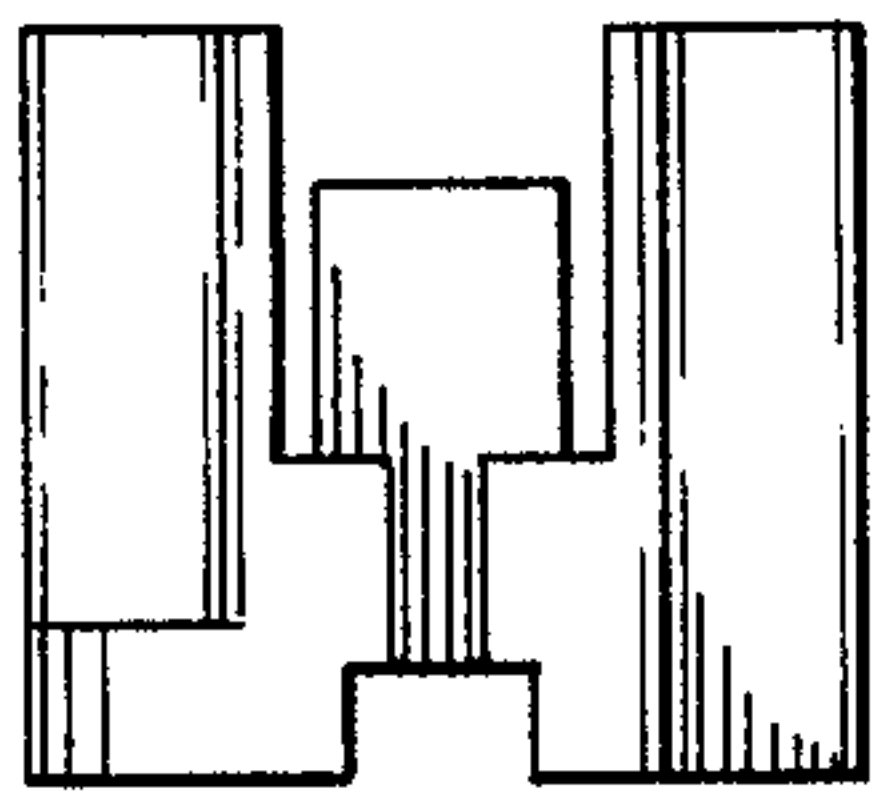


FIG. 13

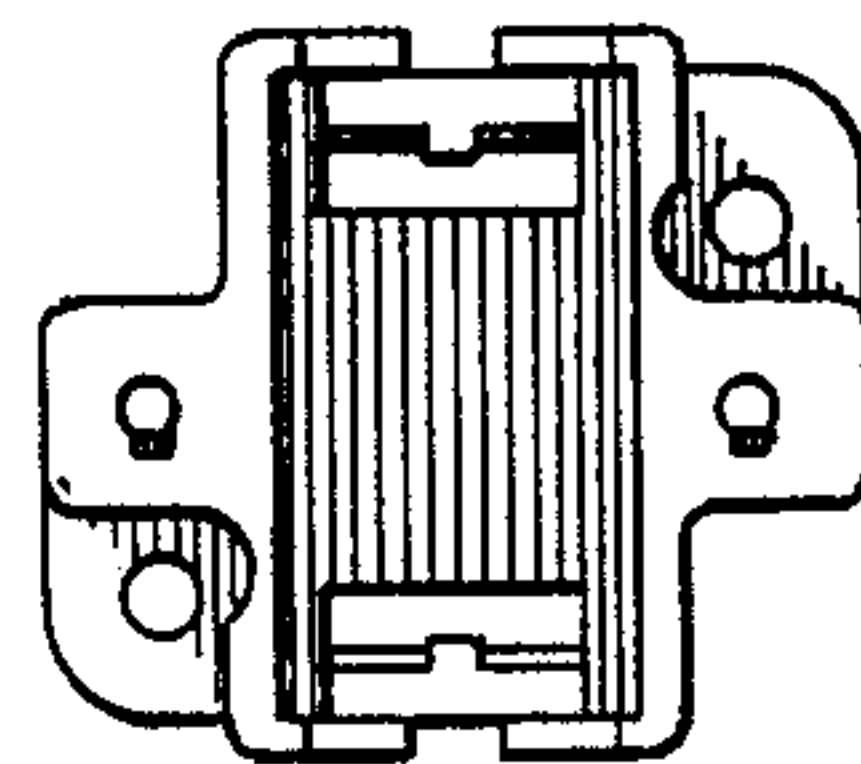


FIG. 14

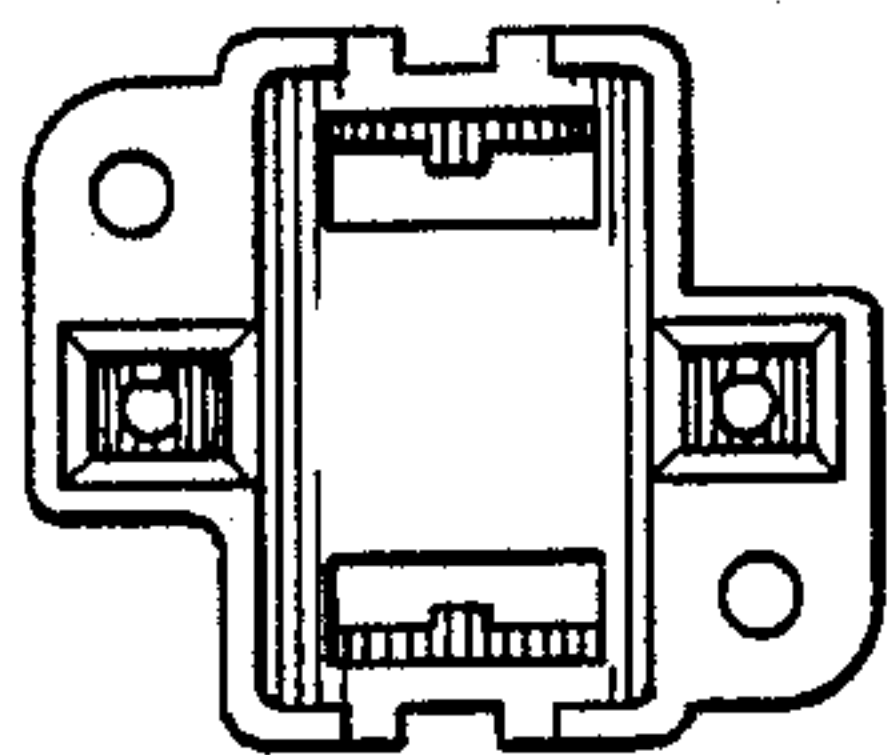


FIG. 15

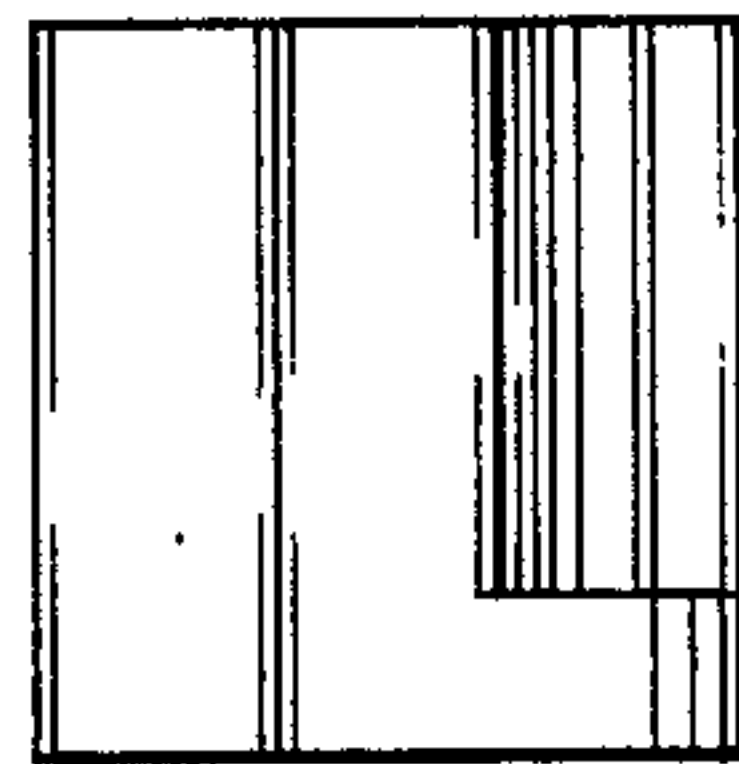


FIG. 16

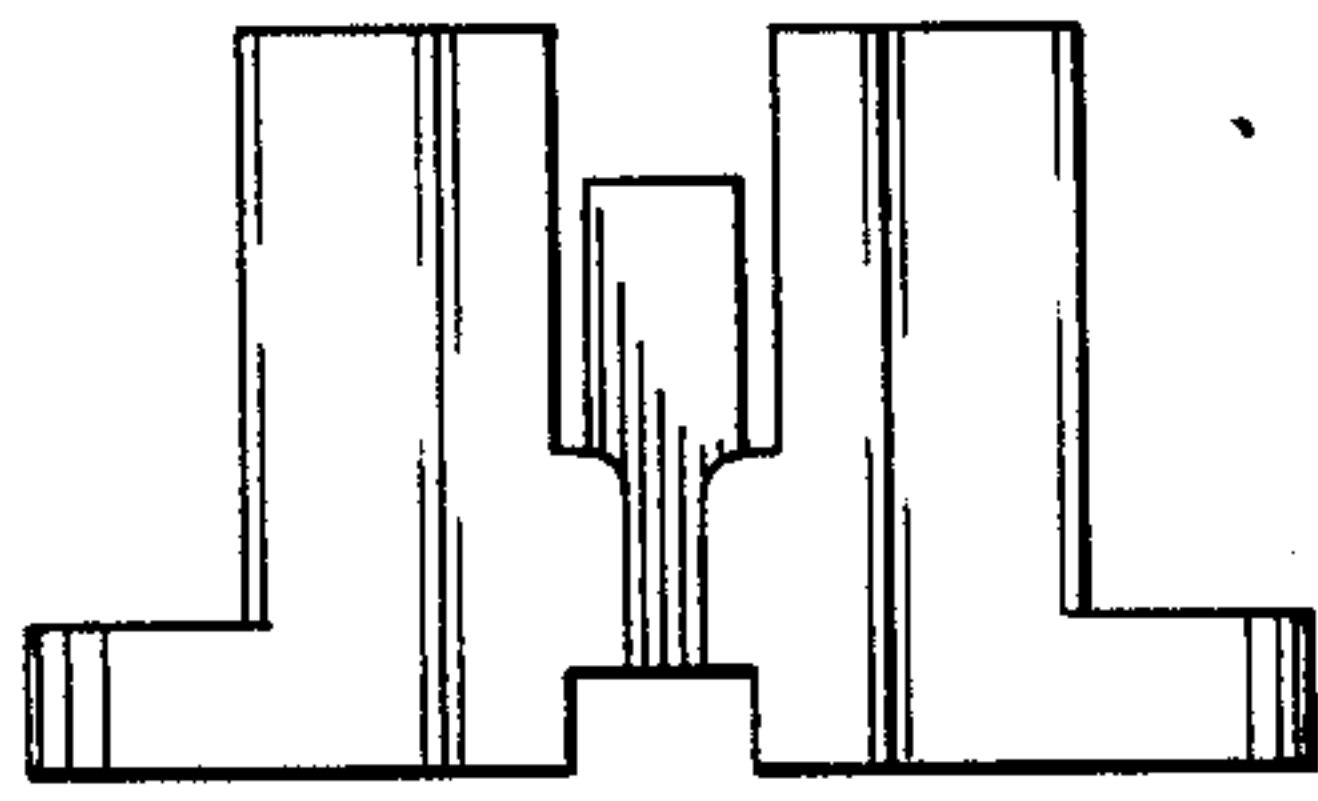


FIG. 17

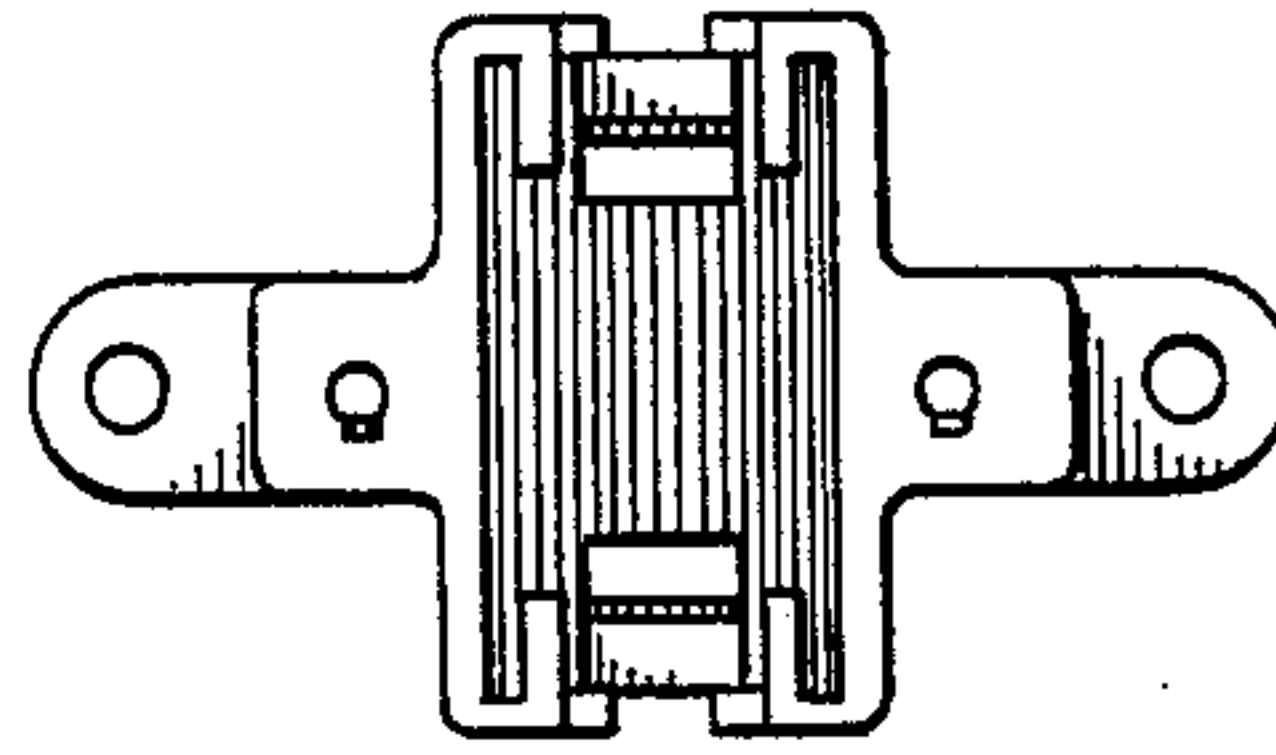


FIG. 18

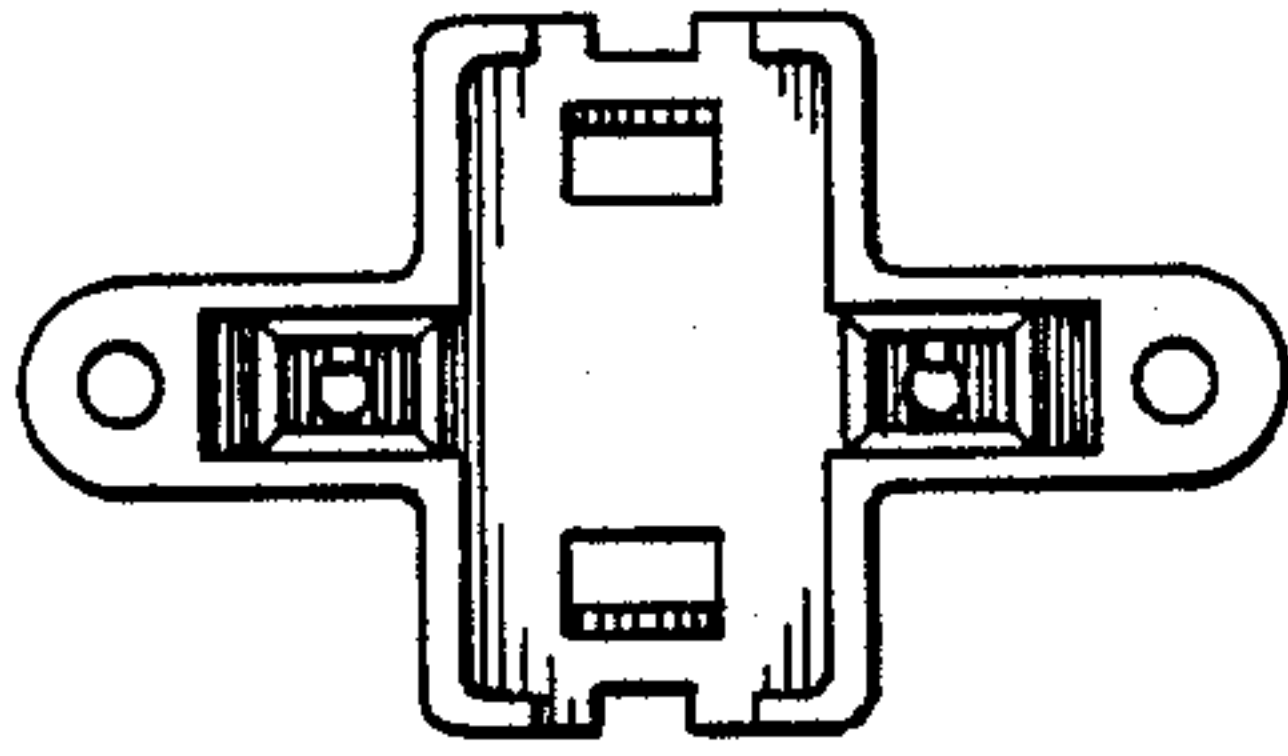


FIG. 19

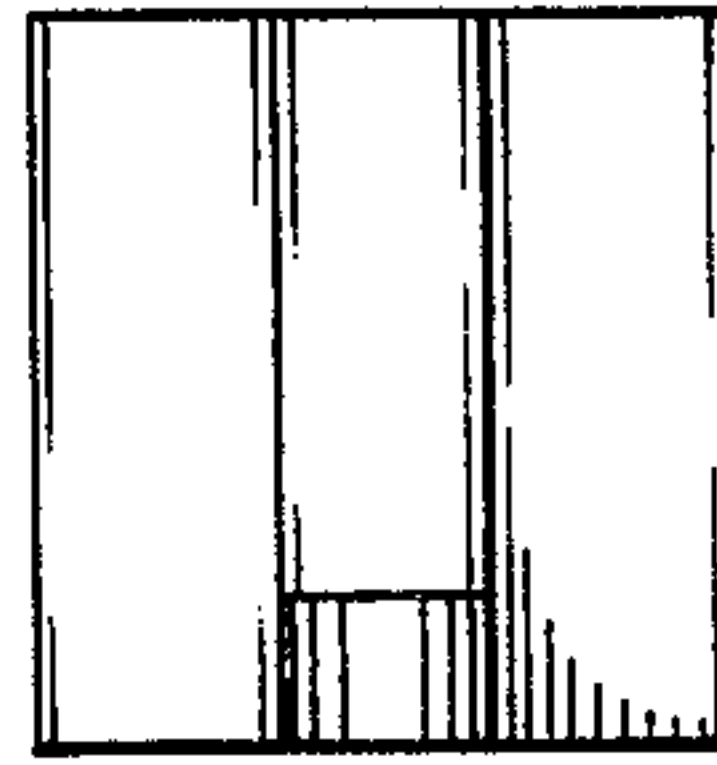


FIG. 20

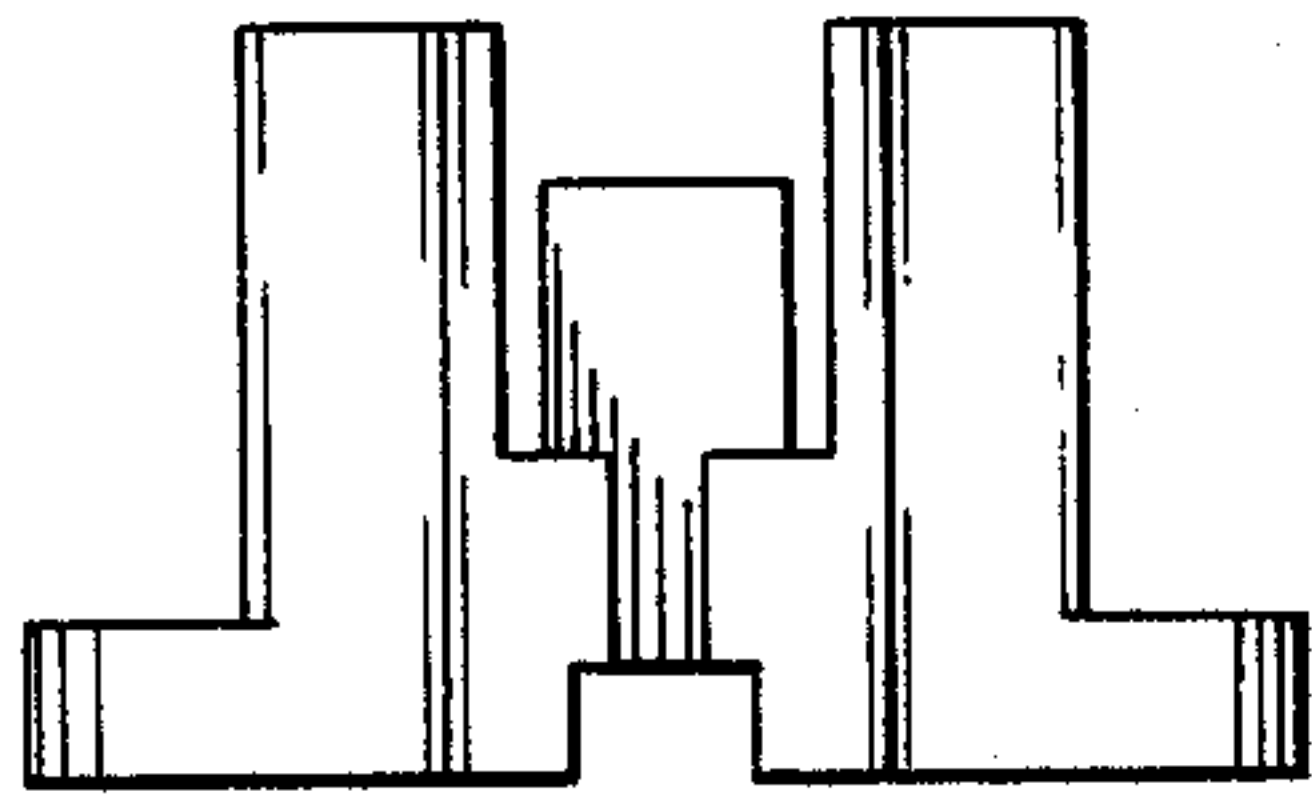


FIG. 21

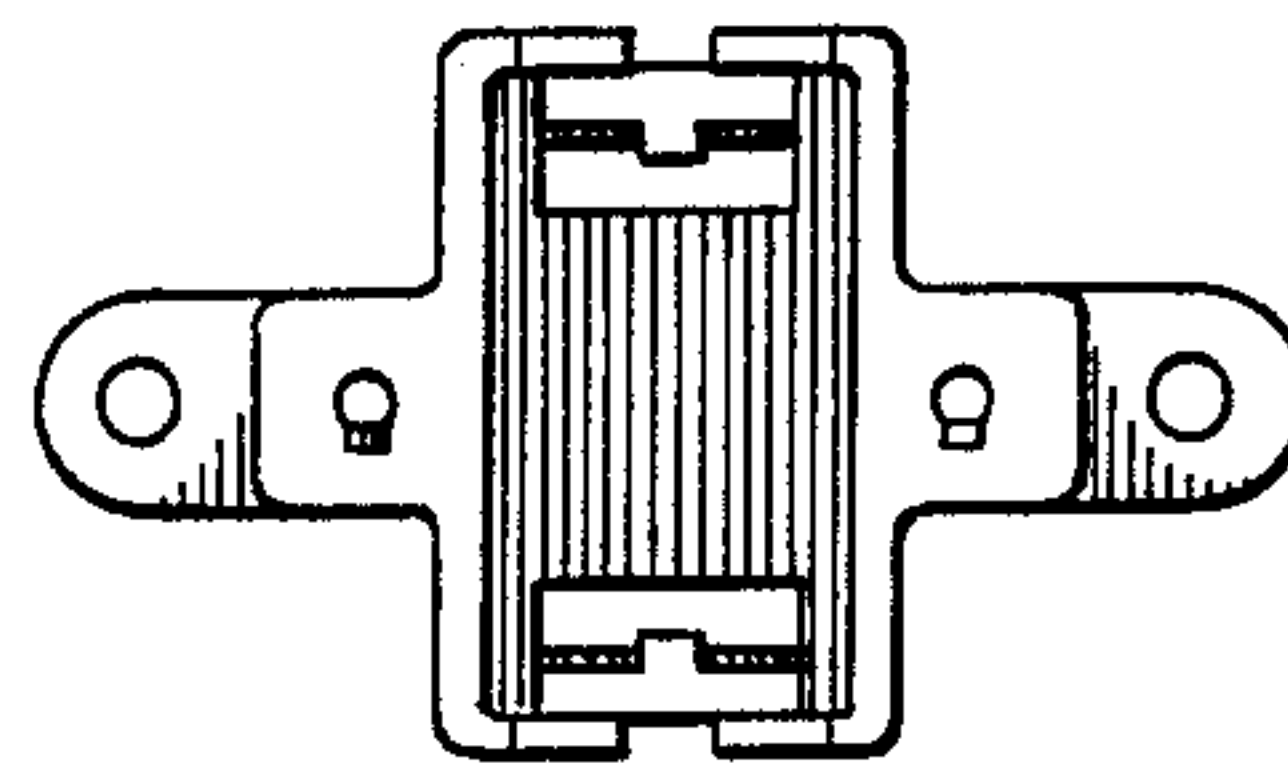


FIG. 22

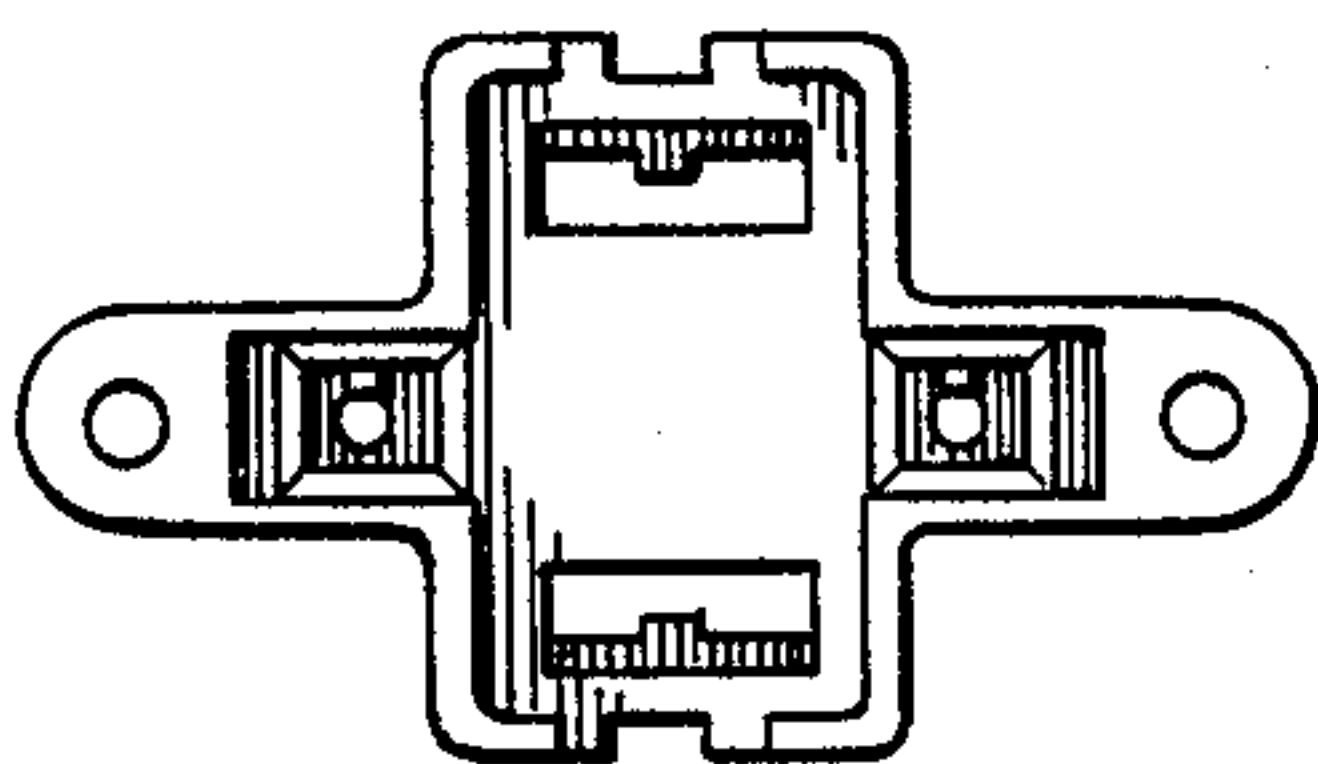


FIG. 23

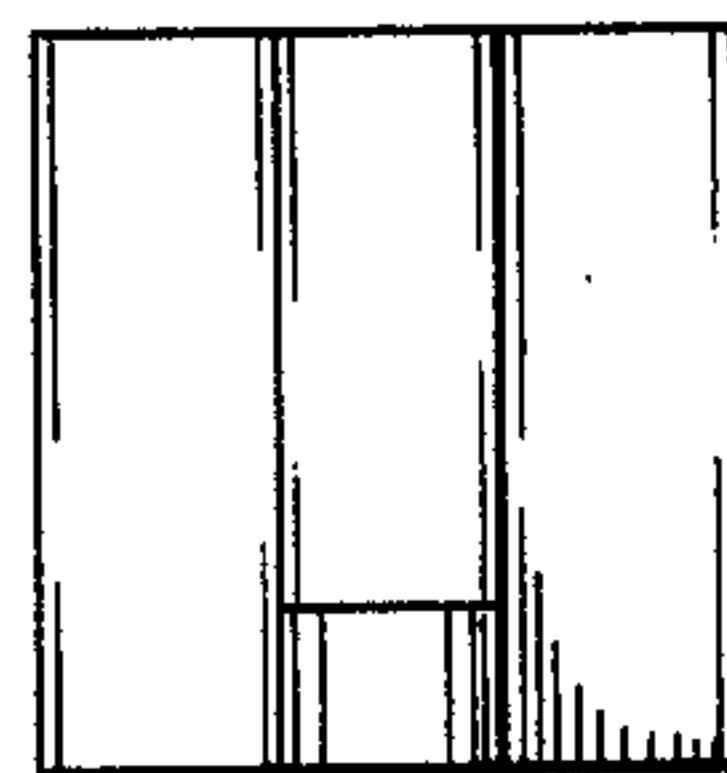


FIG. 24



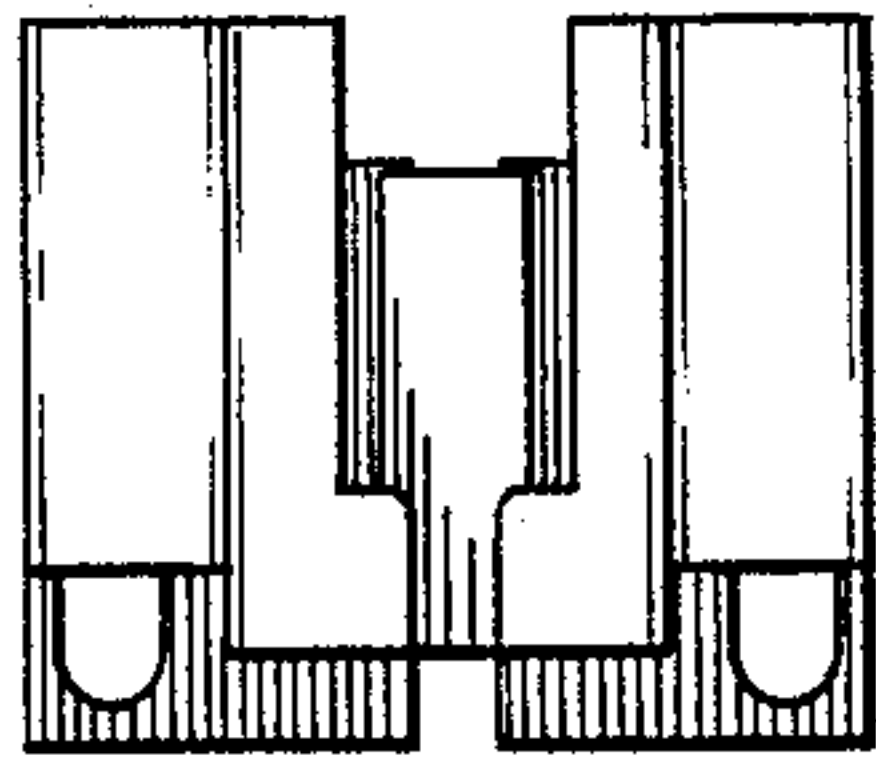


FIG. 25

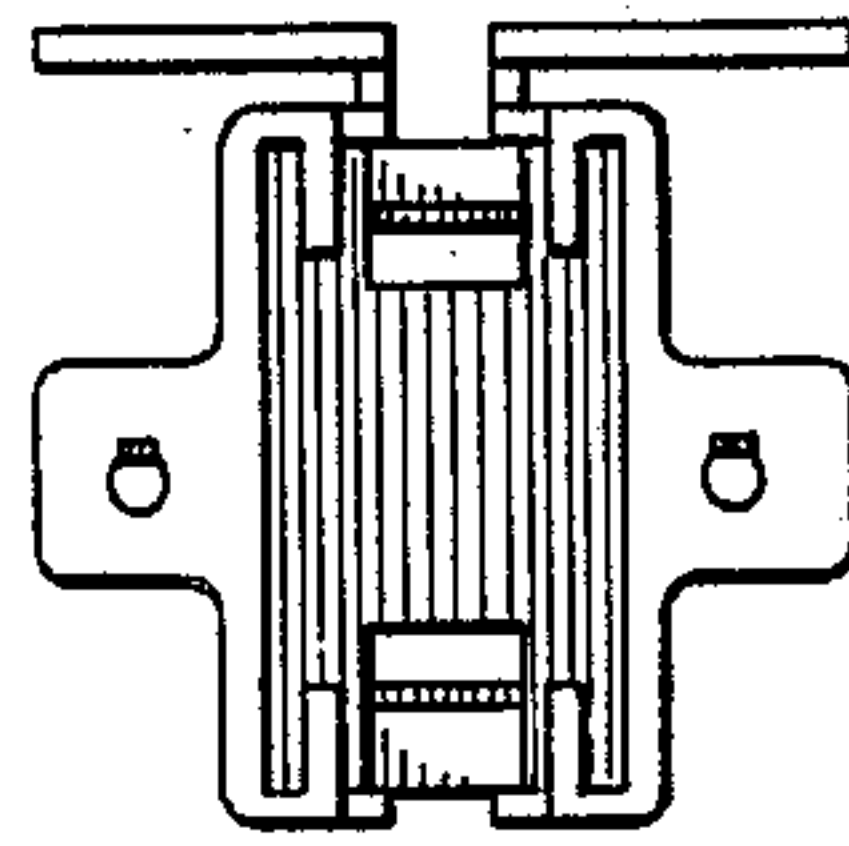


FIG. 26

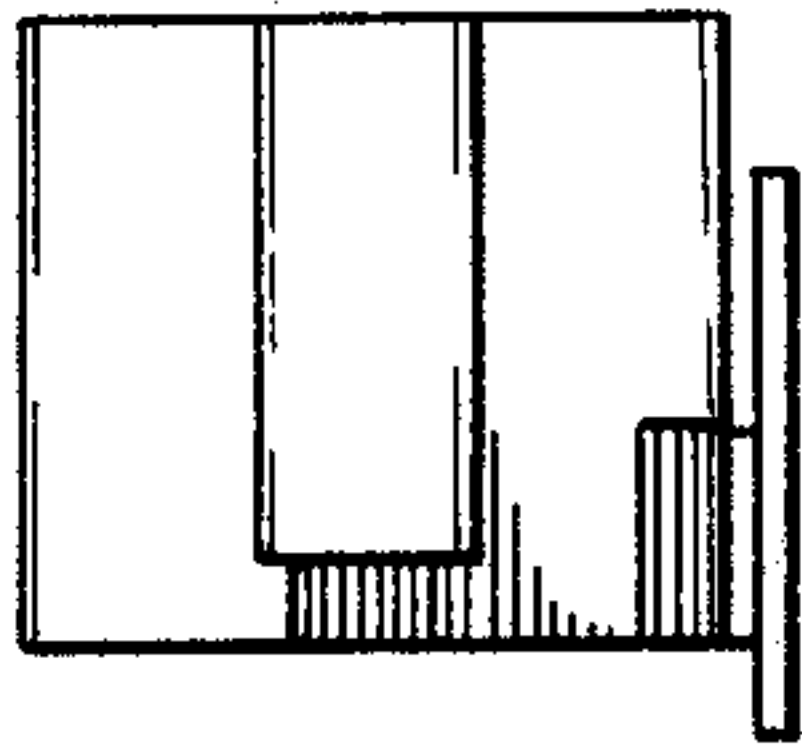


FIG. 27

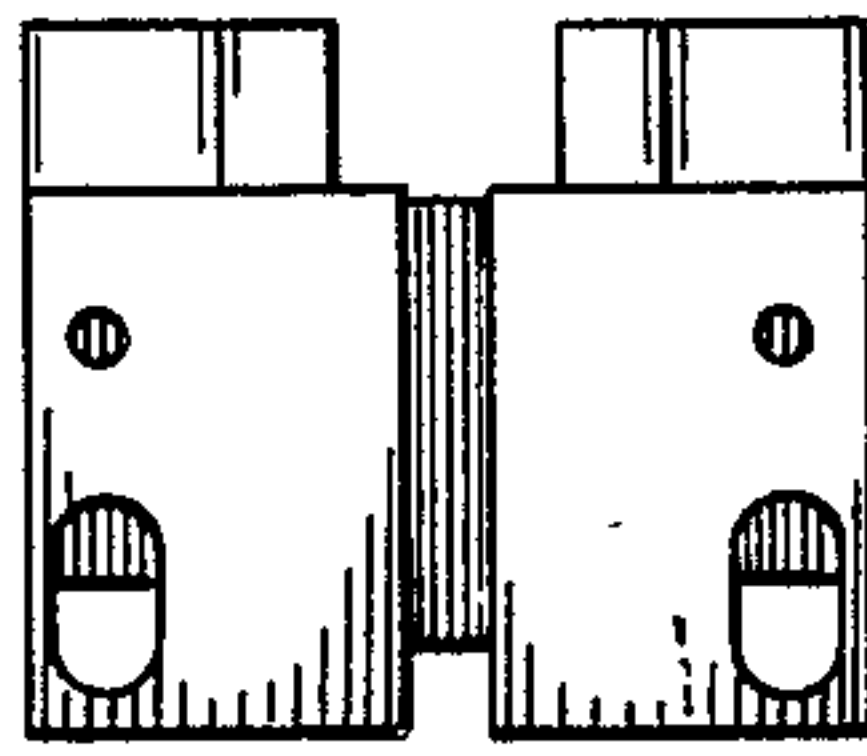


FIG. 28

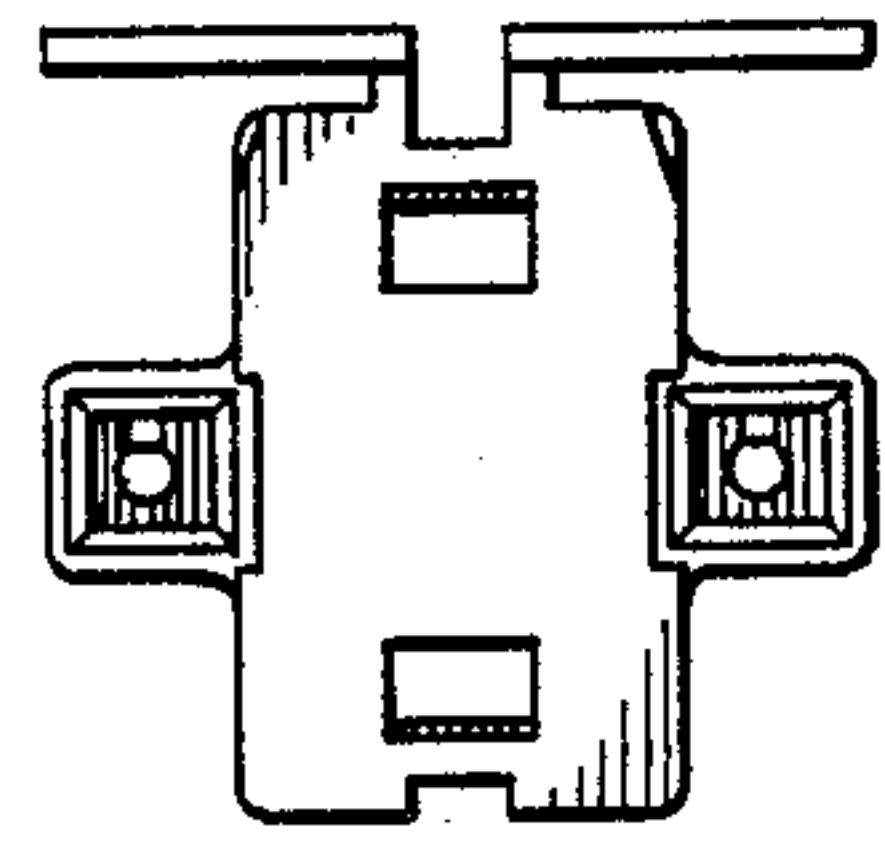


FIG. 29

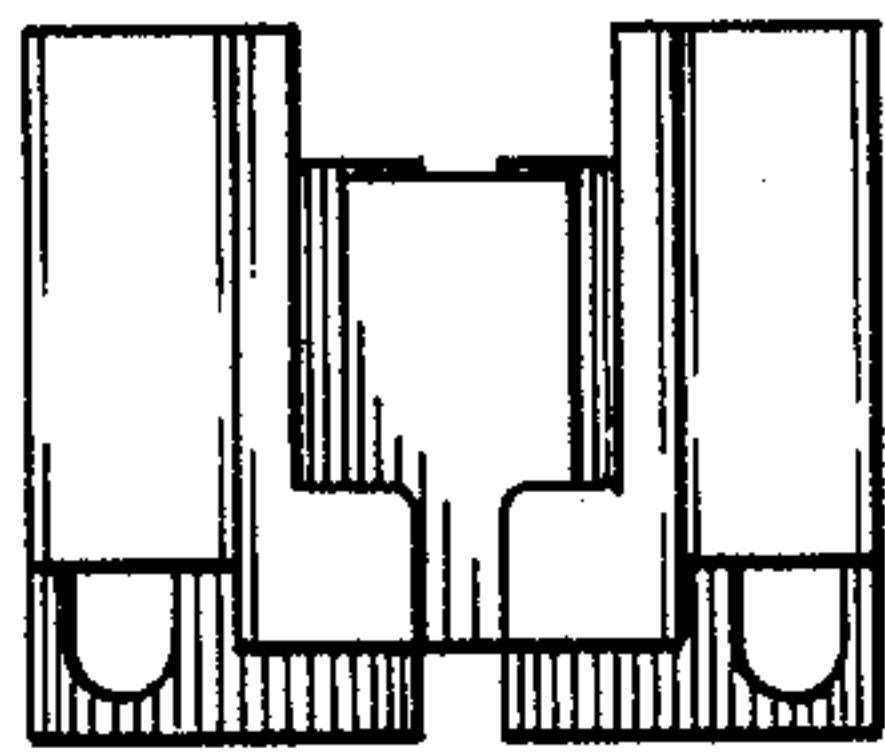


FIG. 30

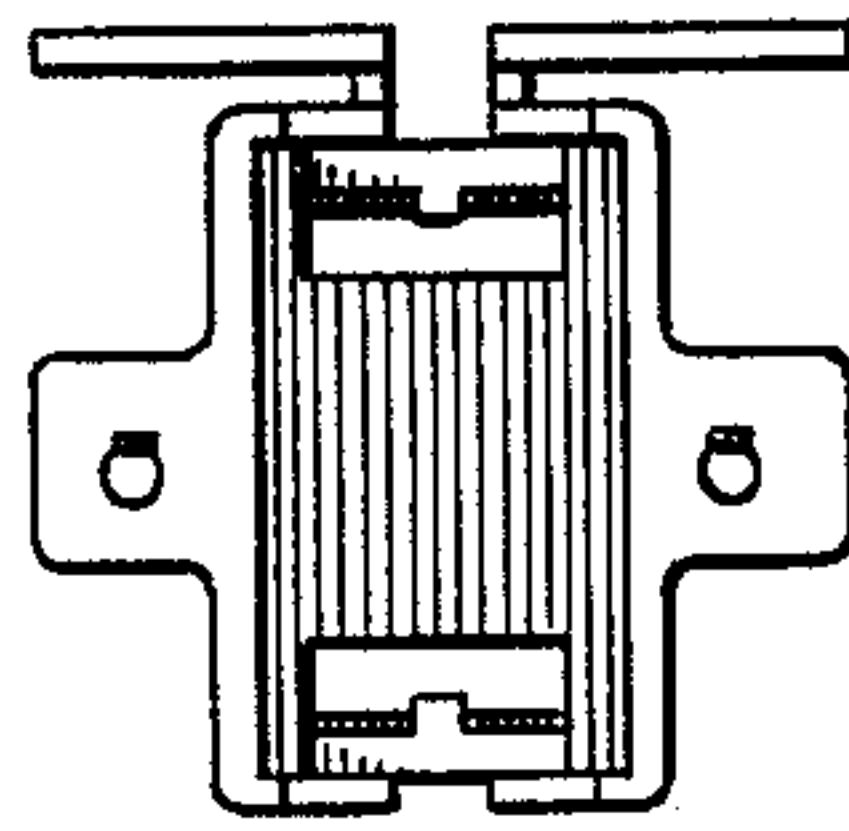


FIG. 31



FIG. 32

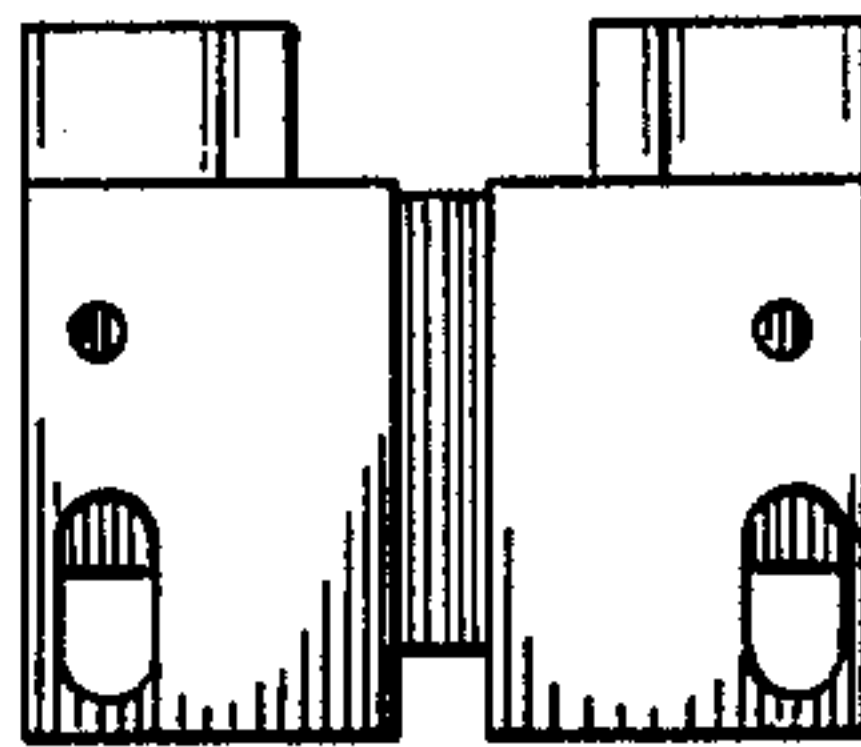


FIG. 33

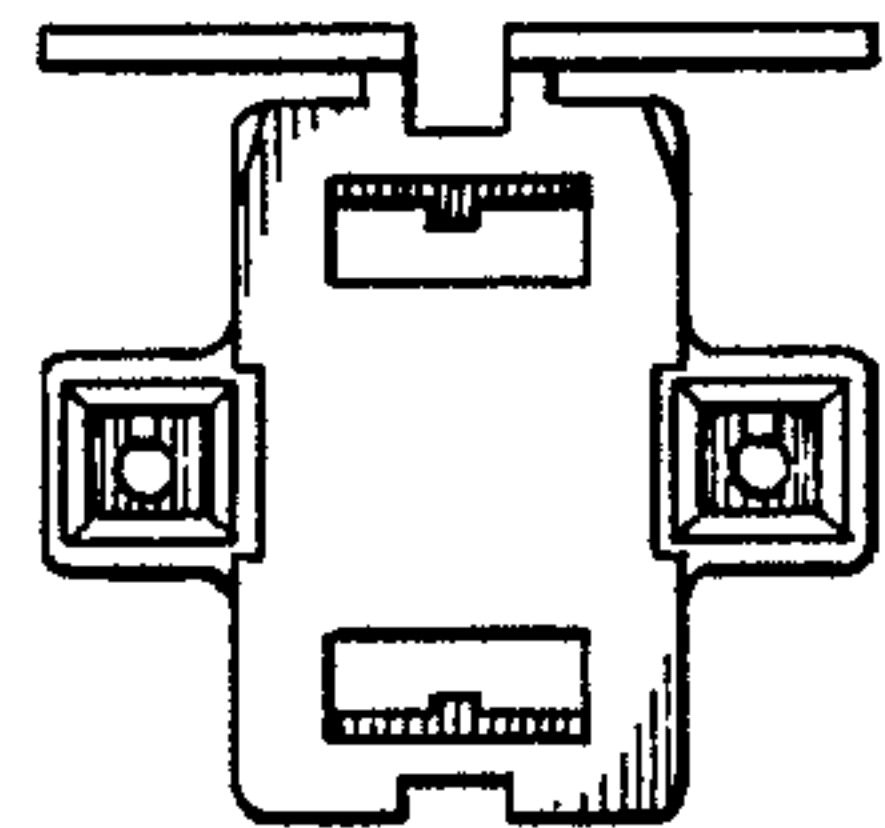


FIG. 34

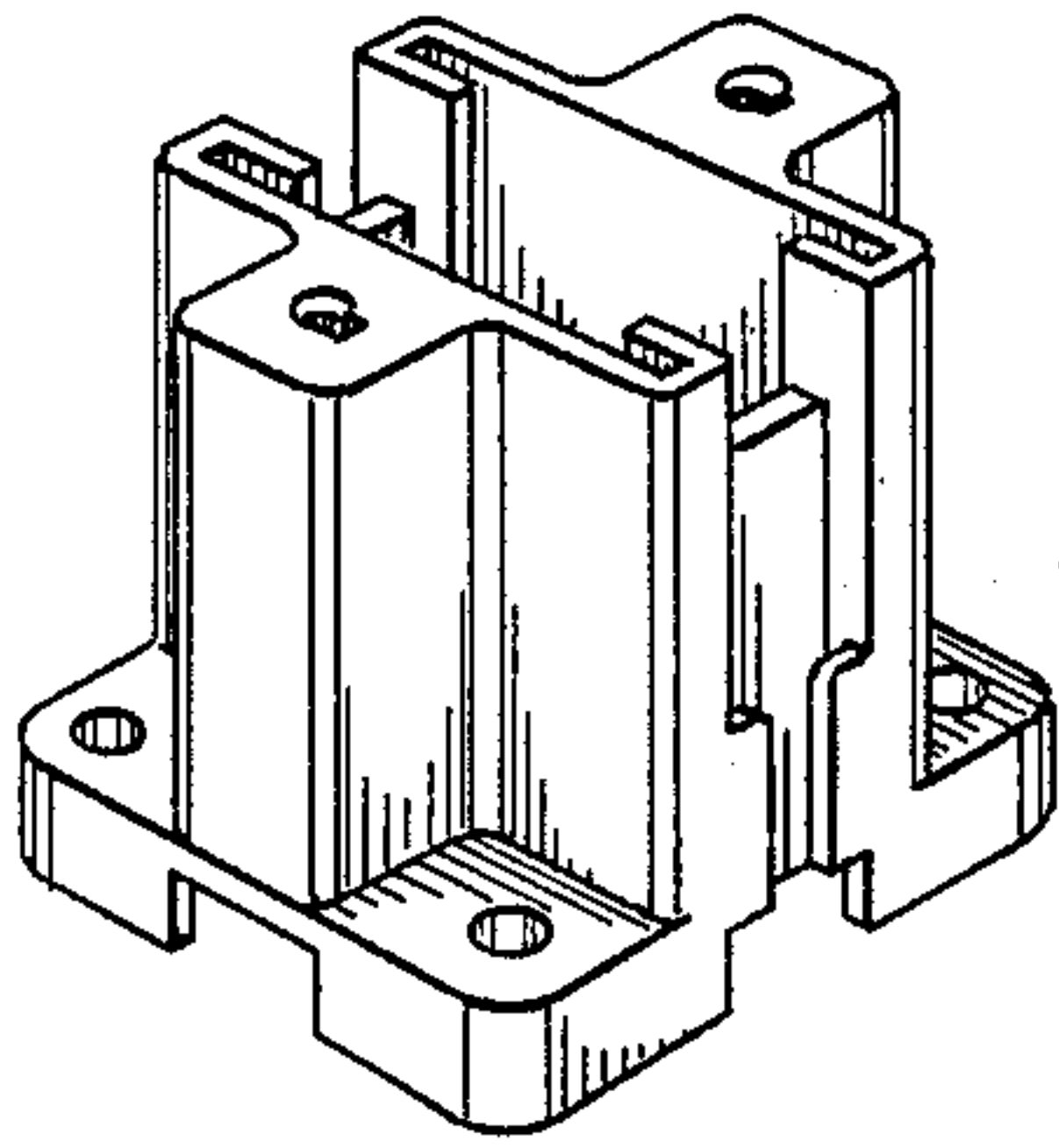


FIG. 35

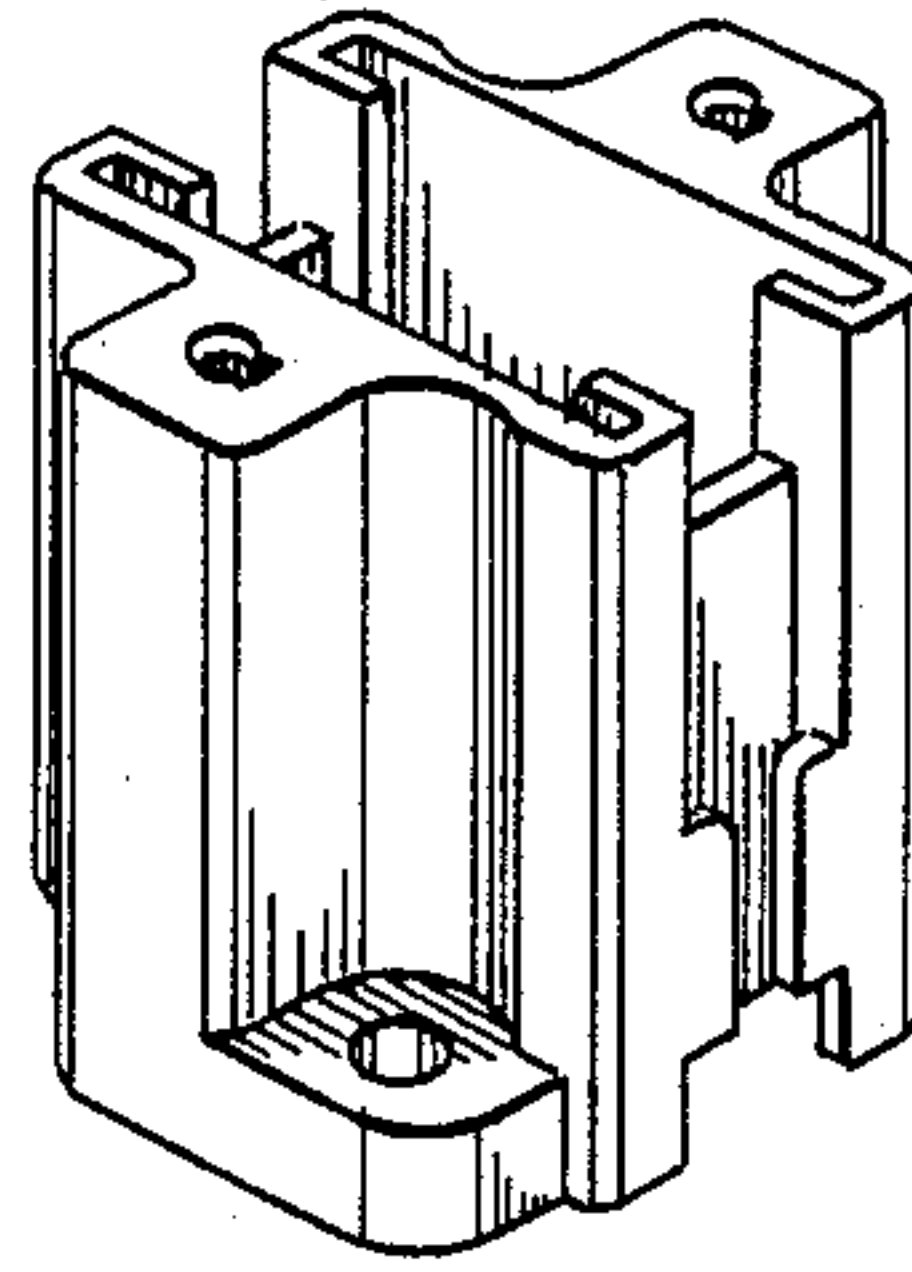


FIG. 36

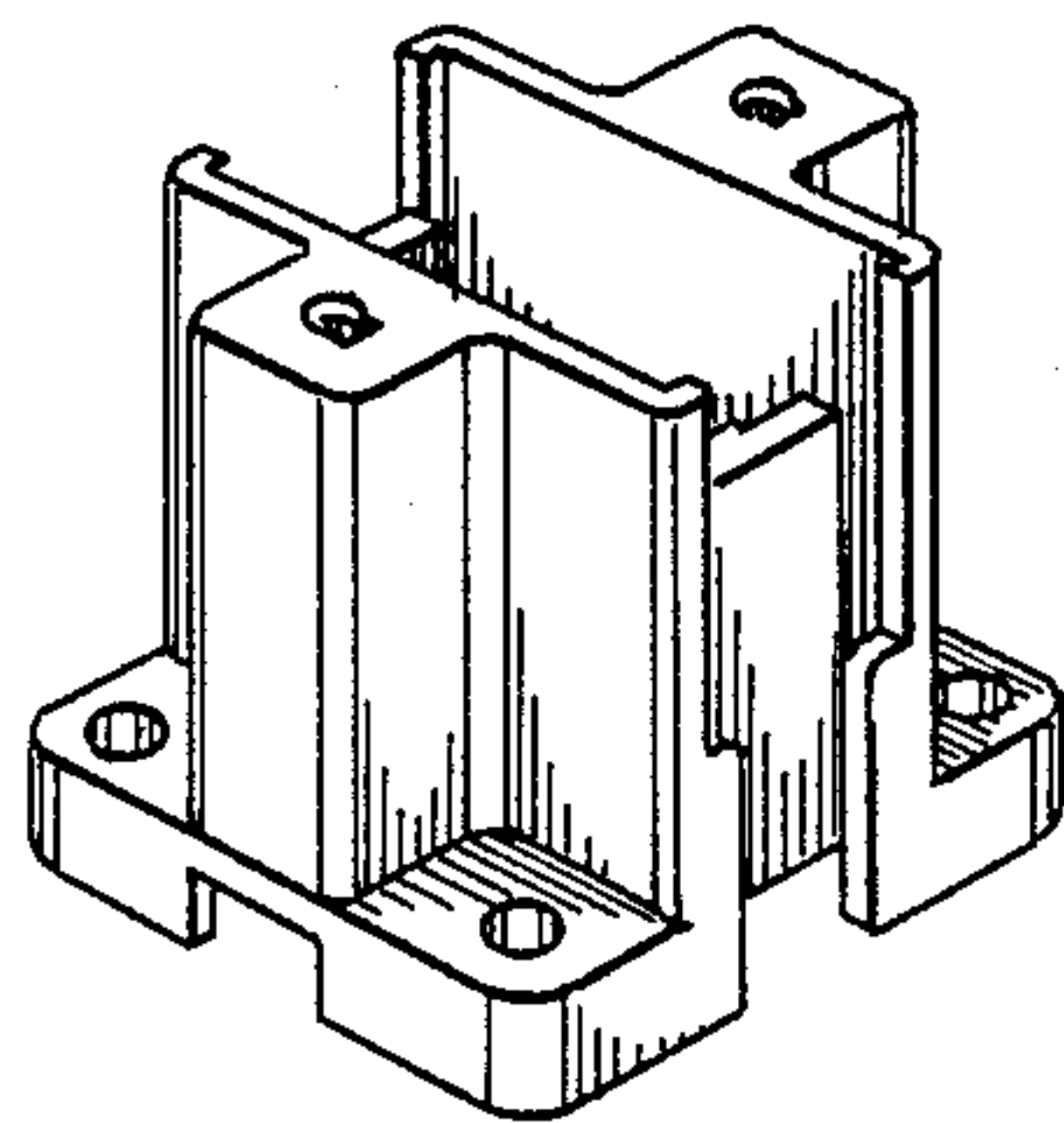


FIG. 37

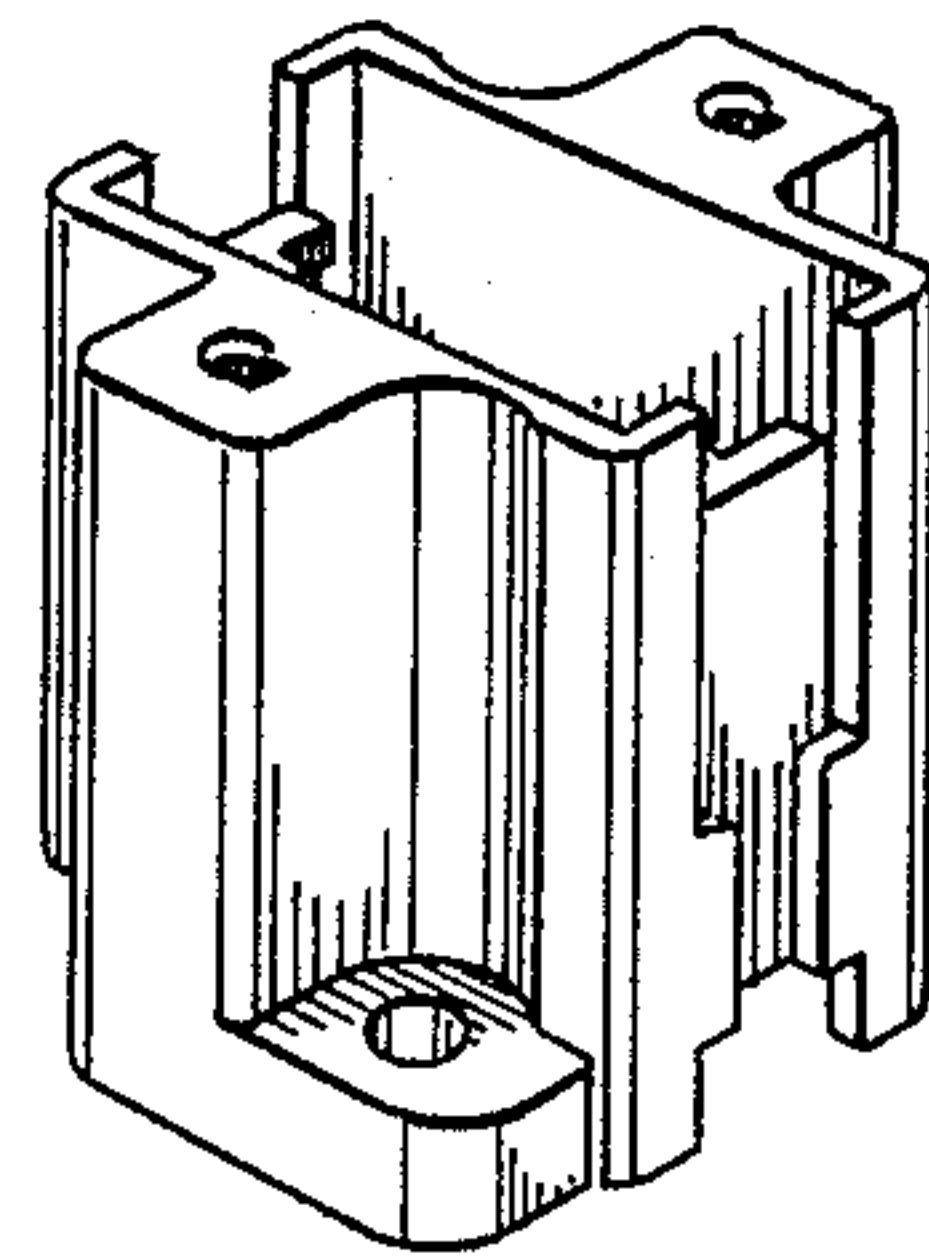


FIG. 38

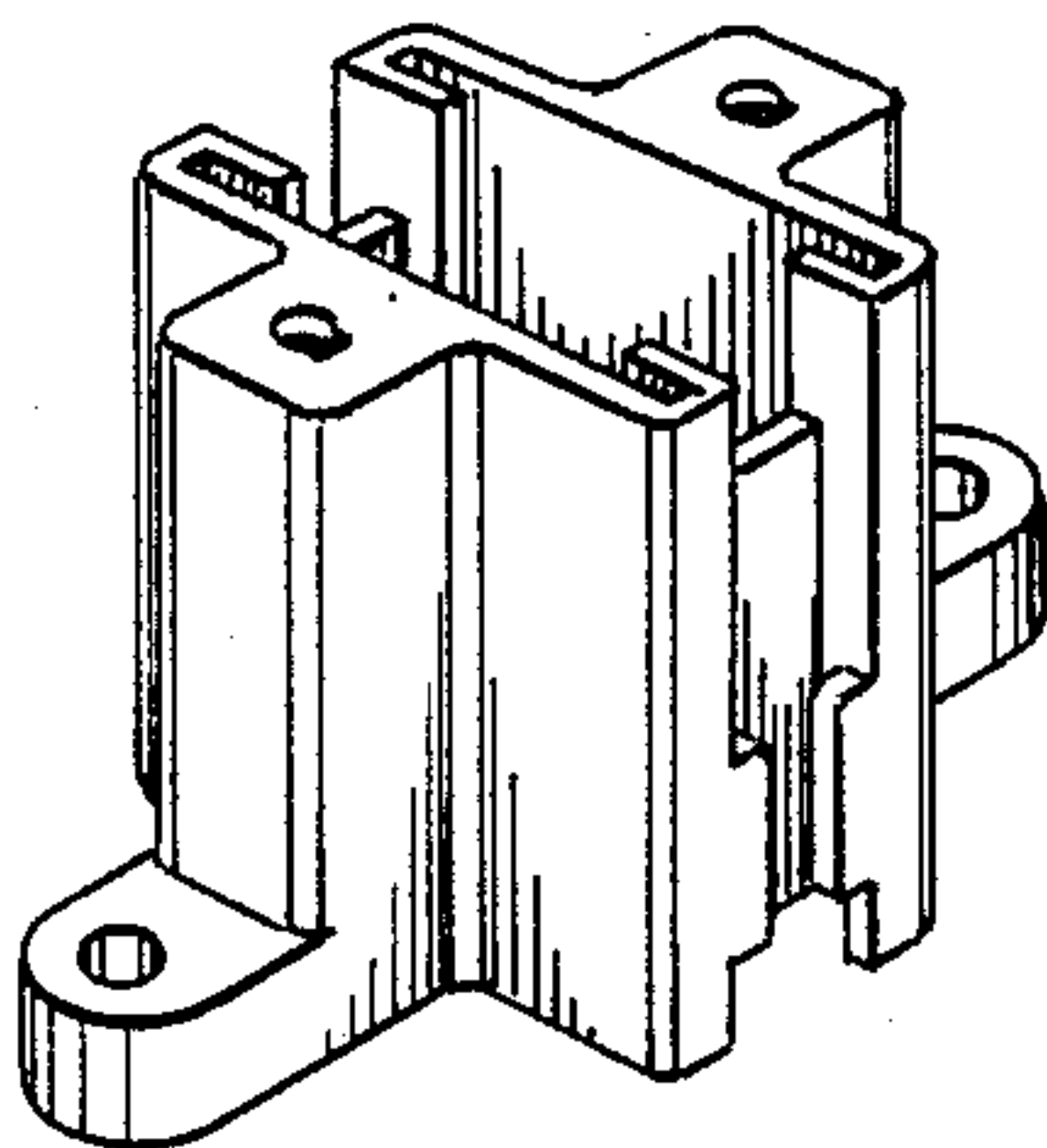


FIG. 39

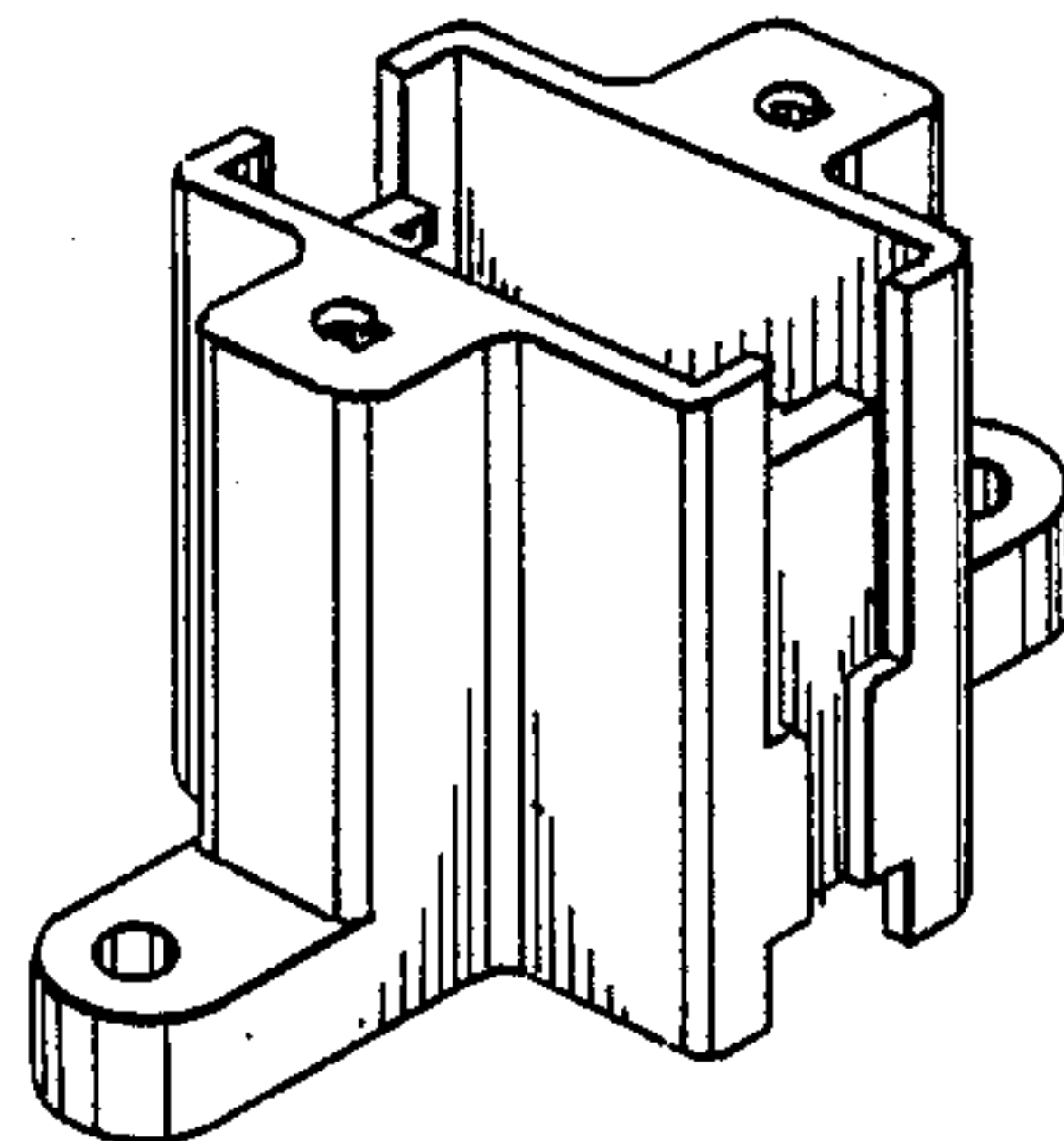


FIG. 40

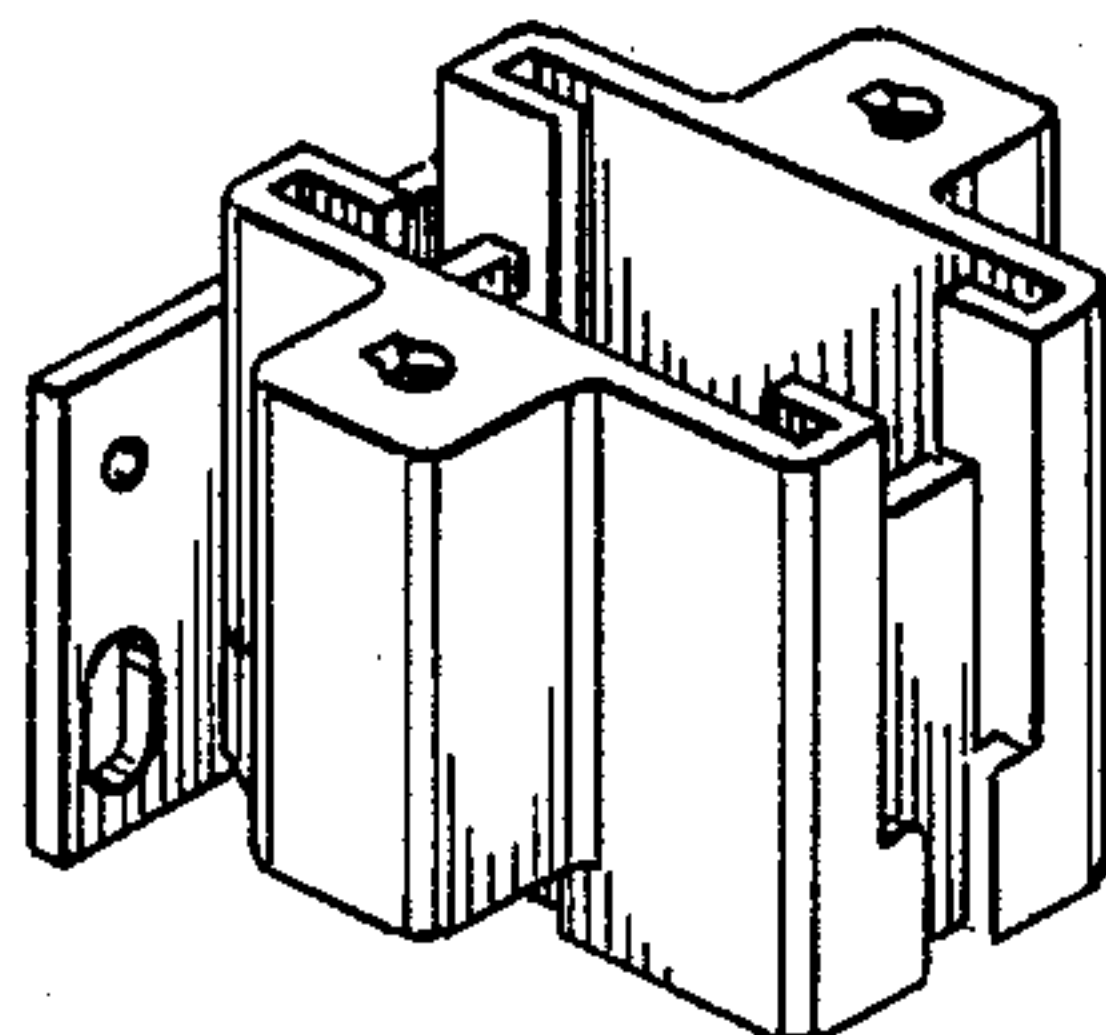


FIG. 41

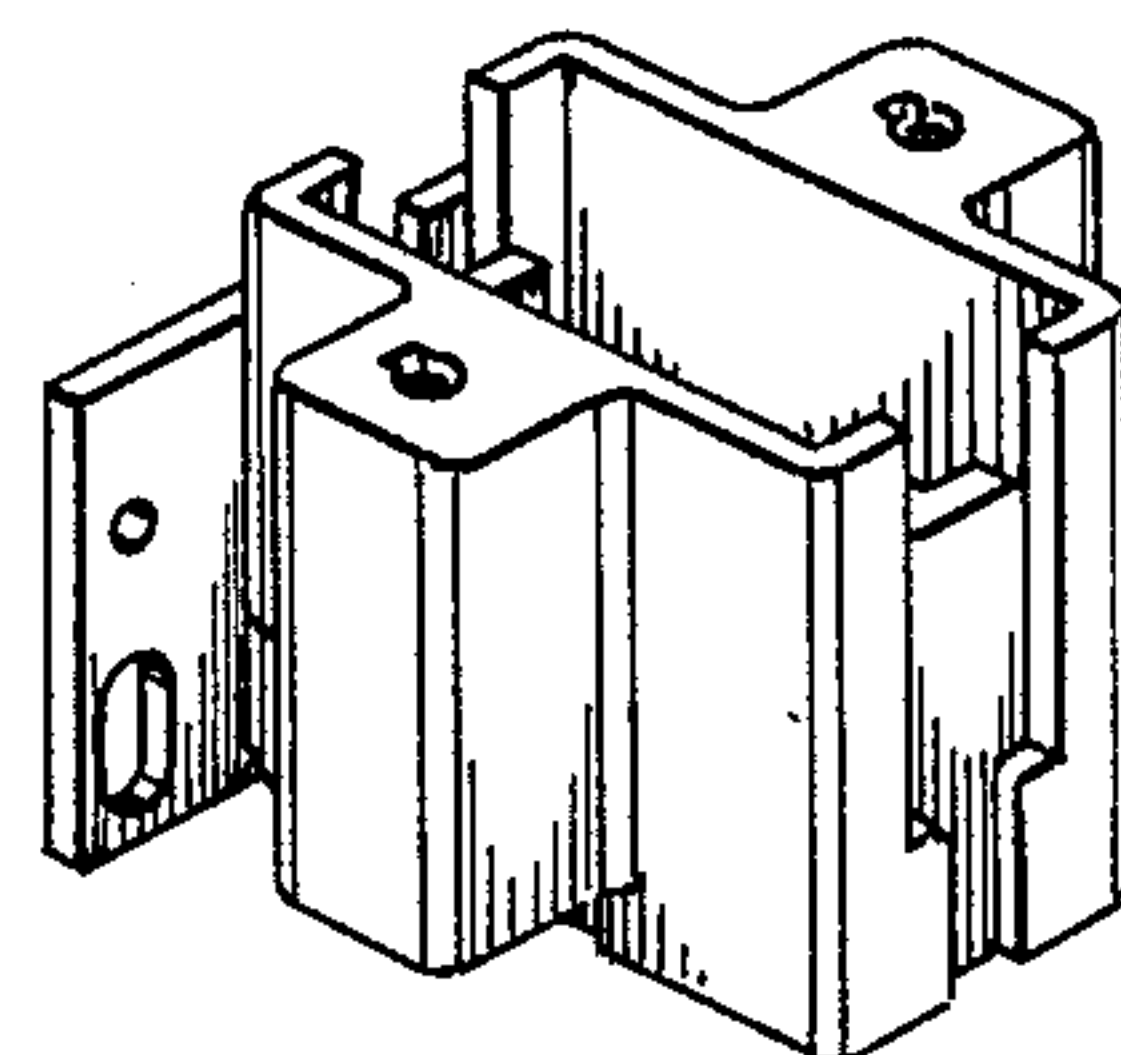


FIG. 42