

[54] THROUGH-TYPE CAPACITOR

[75] Inventors: Setsuo Sasaki; Teruo Taguchi; Yasutaka Oyamada, all of Tokyo, Japan

[73] Assignee: TDK Corporation, Tokyo, Japan

[**] Term: 14 Years

[21] Appl. No.: 881,252

[22] Filed: Jul. 2, 1986

[30] Foreign Application Priority Data

Mar. 25, 1986 [JP]	Japan	61-11067
Mar. 25, 1986 [JP]	Japan	61-11068
Mar. 25, 1986 [JP]	Japan	61-11069

[52] U.S. Cl. D13/125

[58] Field of Search D13/21; 361/271-275, 361/278, 281, 287, 293, 301, 303, 306 C, 306 DC, 306 F, 306 R, 307, 309, 321 C, 323, 537; 174/52.1, 52.2, 52.3

[56] References Cited

U.S. PATENT DOCUMENTS

2,492,742	12/1949	Grasheim	361/306 R X
3,100,330	8/1963	Rice et al.	174/52.3 X
3,252,065	5/1966	Warner et al.	174/52.3 X
3,389,311	6/1968	Rayno	361/275
4,308,569	12/1981	Rheindorf	361/275

Primary Examiner—Susan J. Lucas
Attorney, Agent, or Firm—Helfgott & Karas

[57] CLAIM

The ornamental design for a through-type capacitor, as shown and described.

DESCRIPTION

FIG. 1 is a front-left side perspective view of a through-type capacitor according to our new design; FIG. 2 is a rear-left side perspective view thereof; FIG. 3 is a front elevational view thereof; FIG. 4 is a rear elevational view thereof; FIG. 5 is a right side elevational view thereof; FIG. 6 is a left side elevational view thereof; FIG. 7 is a bottom plan view thereof; FIG. 8 is a top plan view thereof; FIG. 9 is a front, left side perspective view of a second embodiment of our new design; FIG. 10 is a rear-left side perspective view thereof; FIG. 11 is a front elevational view thereof; FIG. 12 is a rear elevational view thereof; FIG. 13 is a left side elevational view thereof; FIG. 14 is a right side elevational view thereof; FIG. 15 is a bottom plan view thereof; FIG. 16 is a top plan view thereof; FIG. 17 is a front, left side perspective view of a third embodiment of our new design. FIG. 18 is a rear-left side perspective view thereof; FIG. 19 is a front elevational view thereof; FIG. 20 is a rear elevational view thereof; FIG. 21 is a left side elevational view thereof; FIG. 22 is a right side elevational view thereof; FIG. 23 is a bottom plan view thereof; and FIG. 24 is a top plan view thereof.

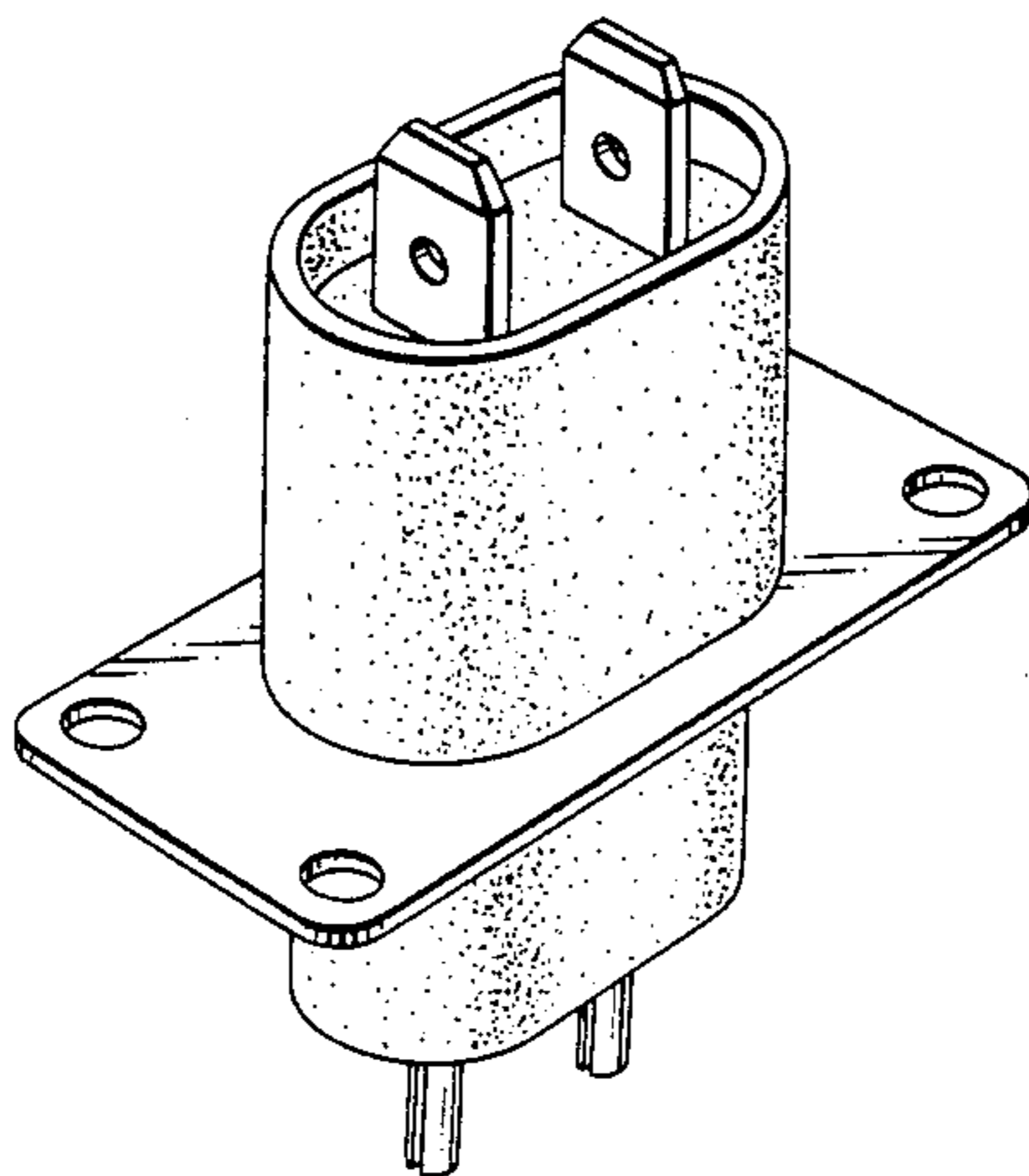


Fig. 1

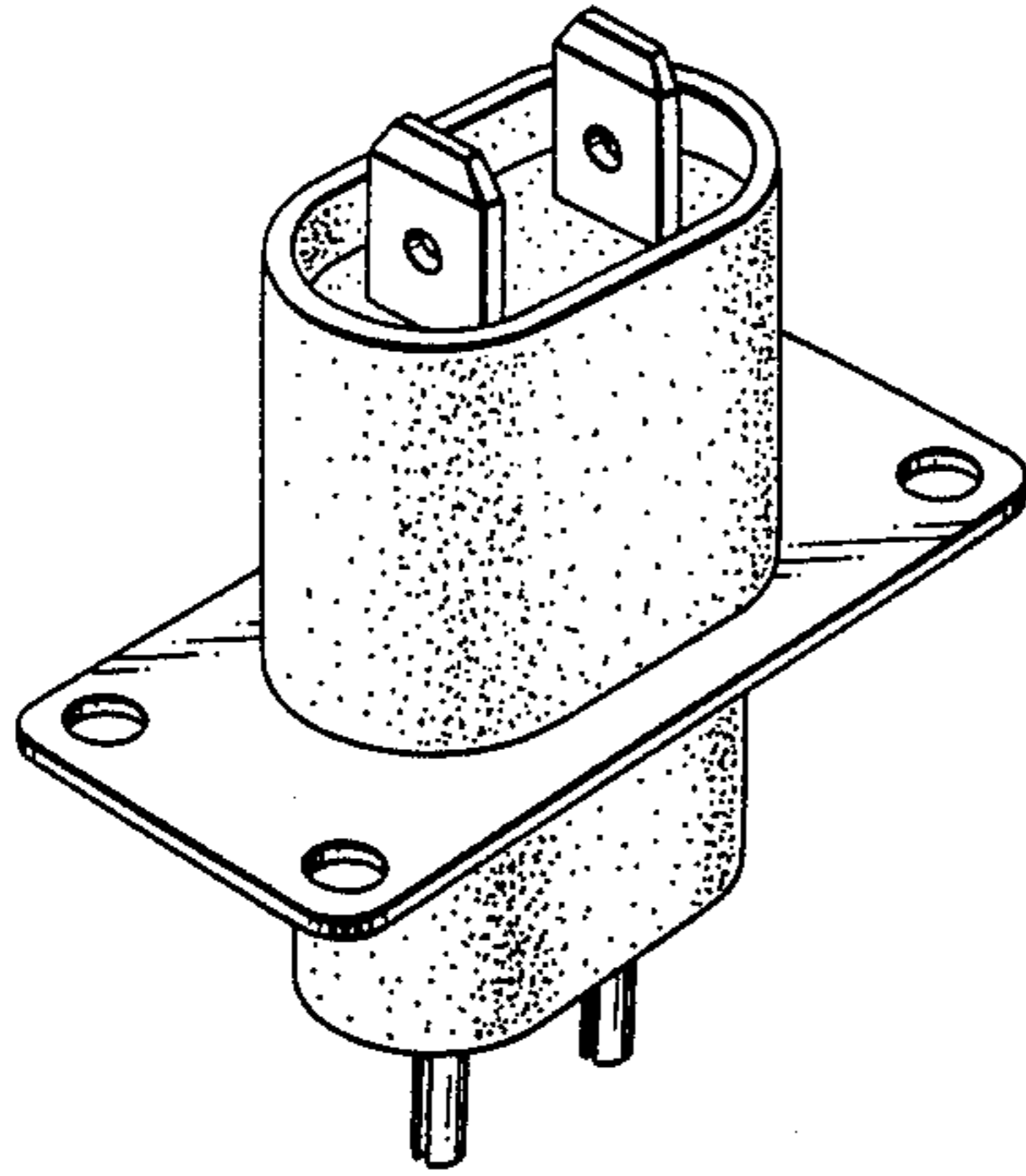


Fig. 2

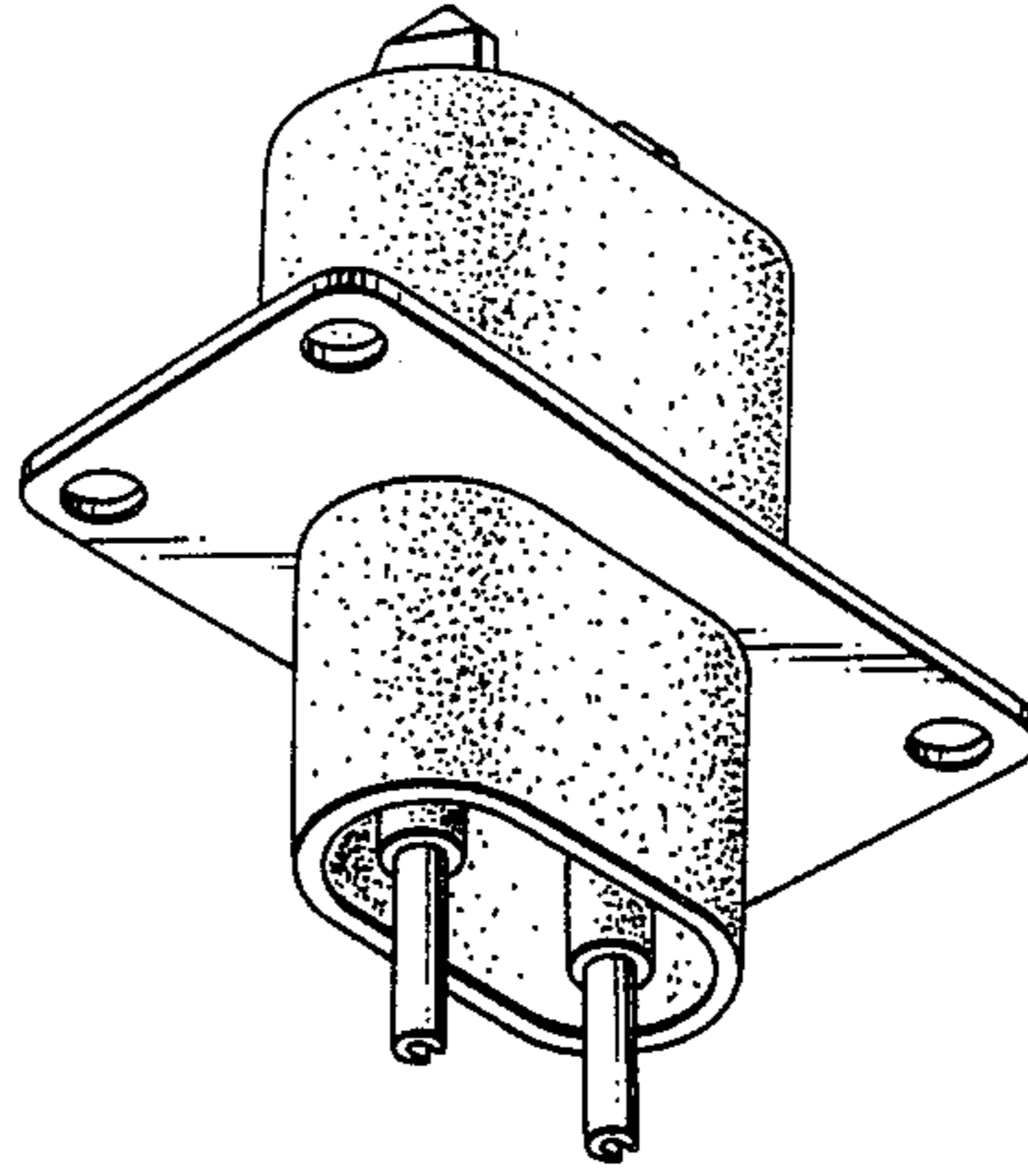


Fig. 3

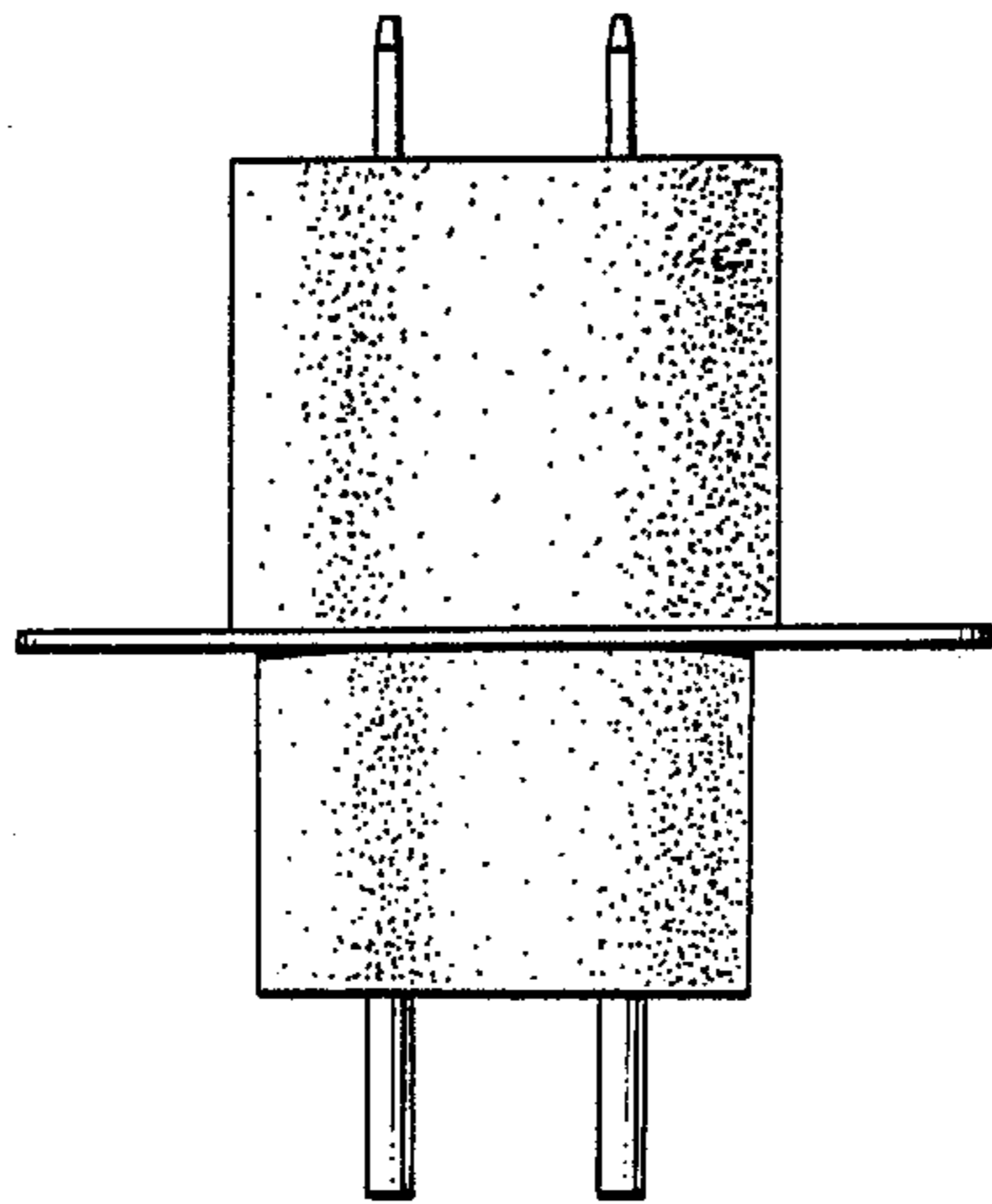


Fig. 4

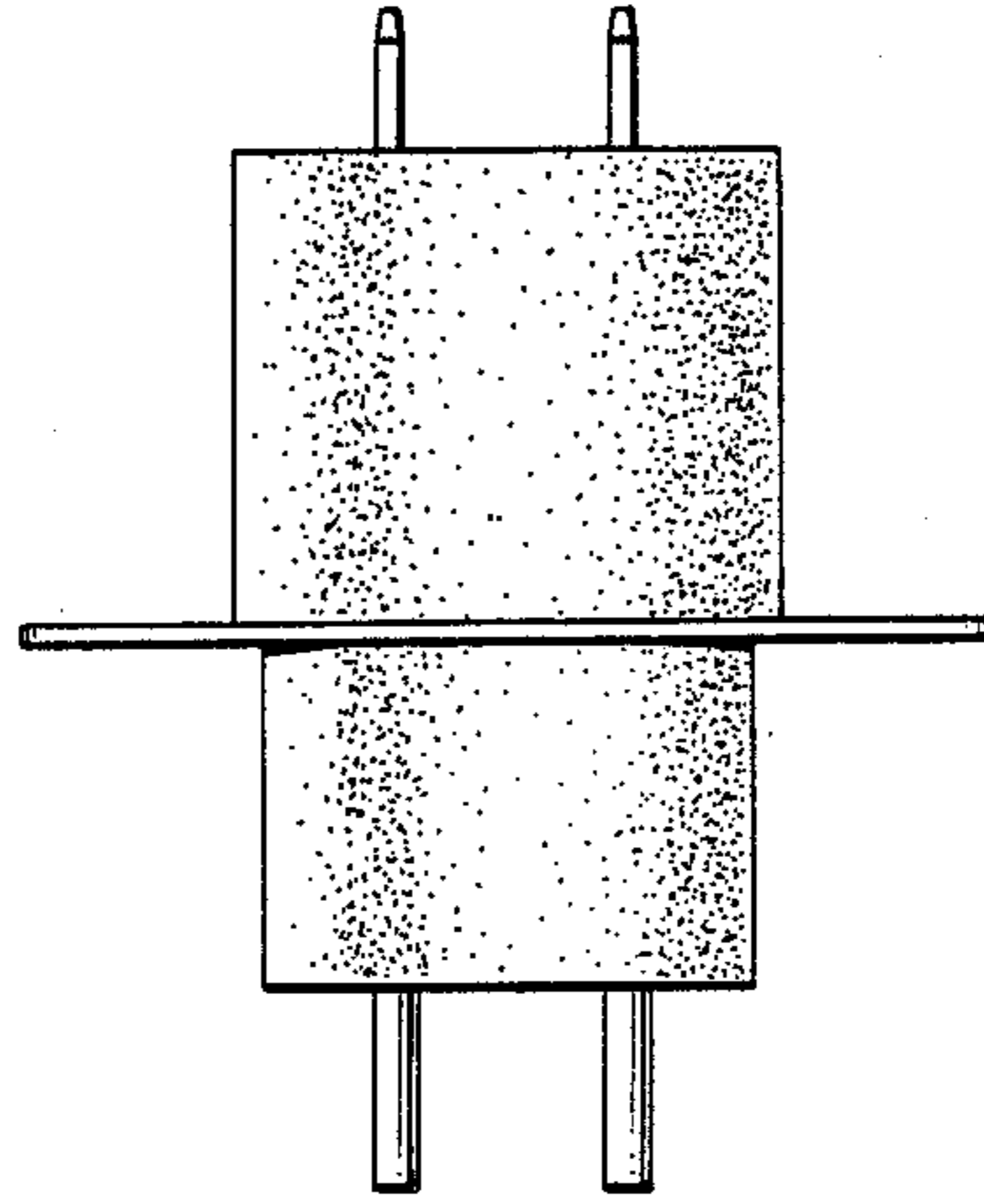


Fig. 5

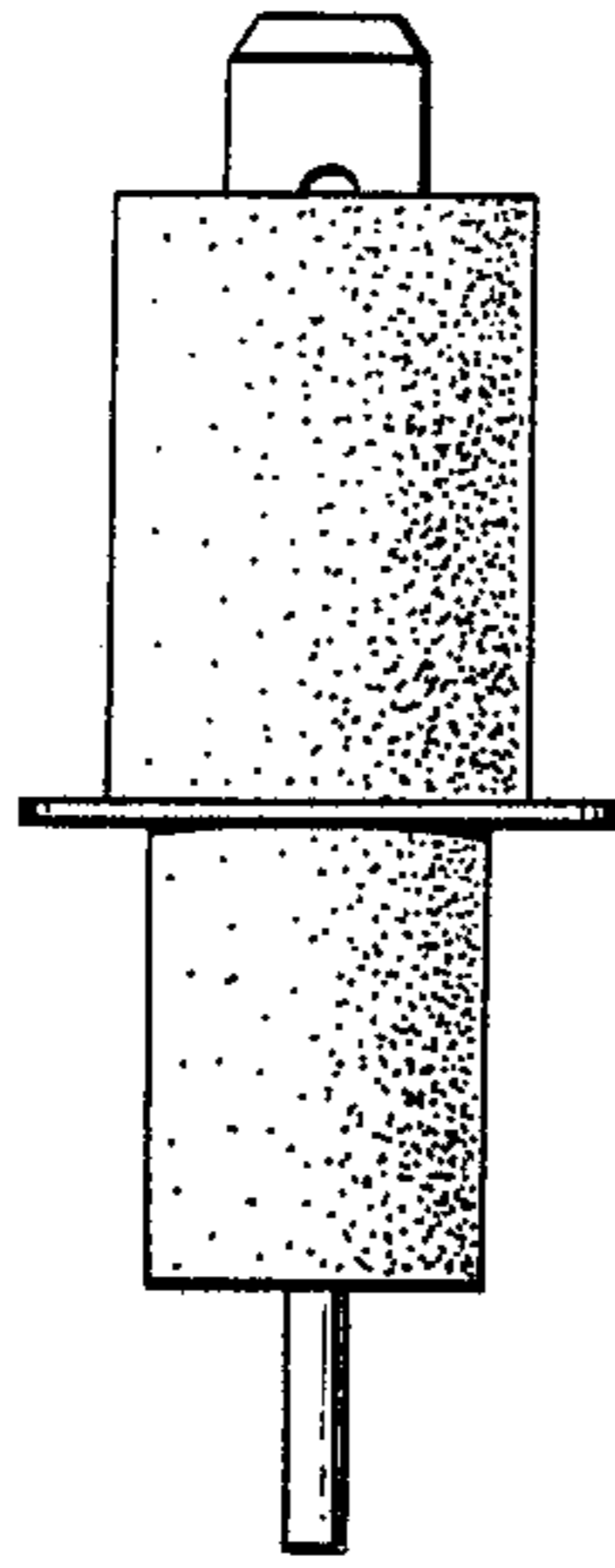


Fig. 6

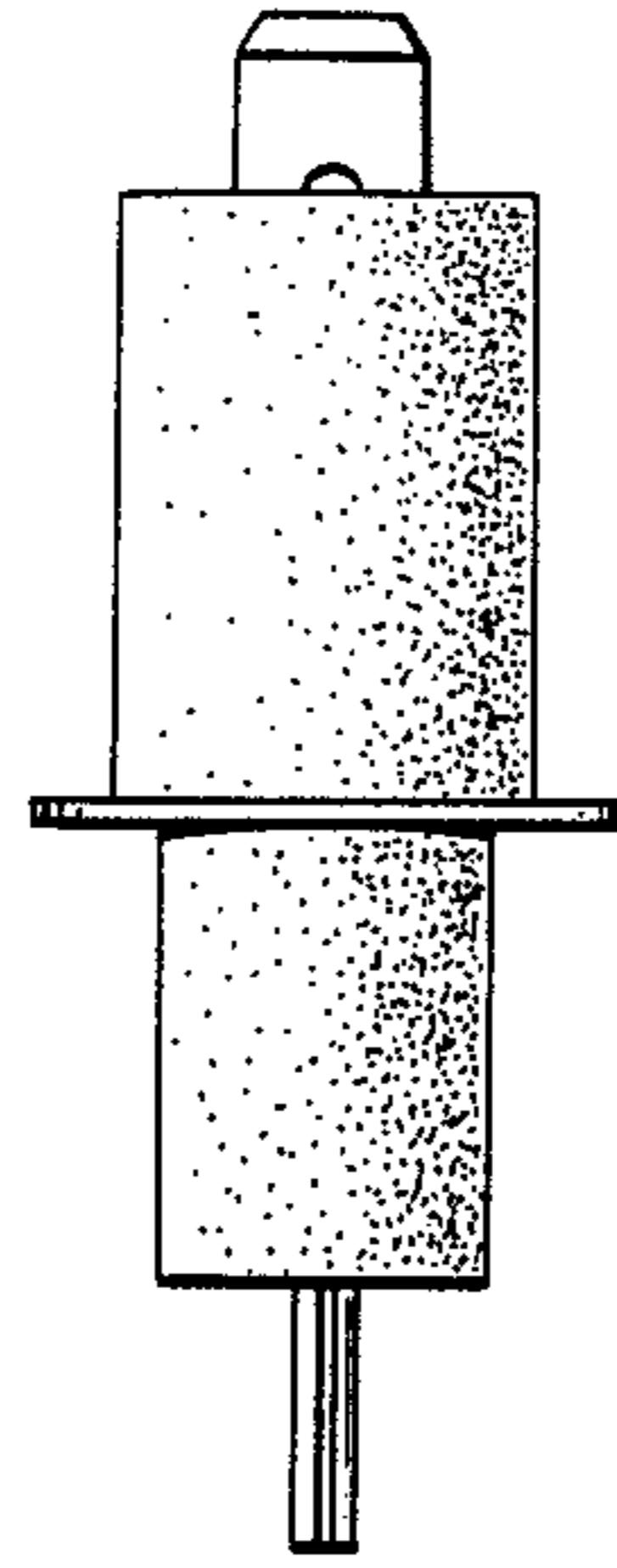


Fig. 7

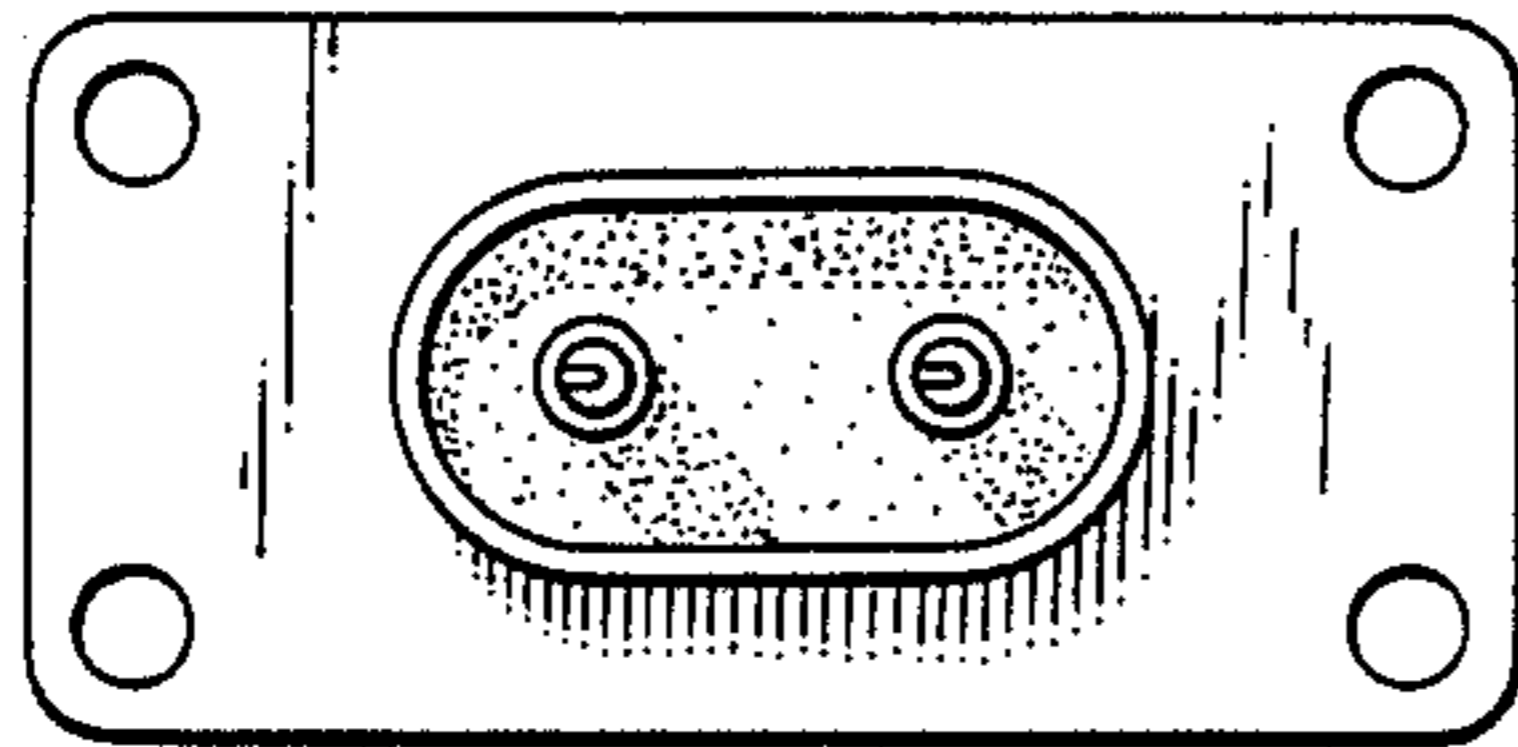


Fig. 8

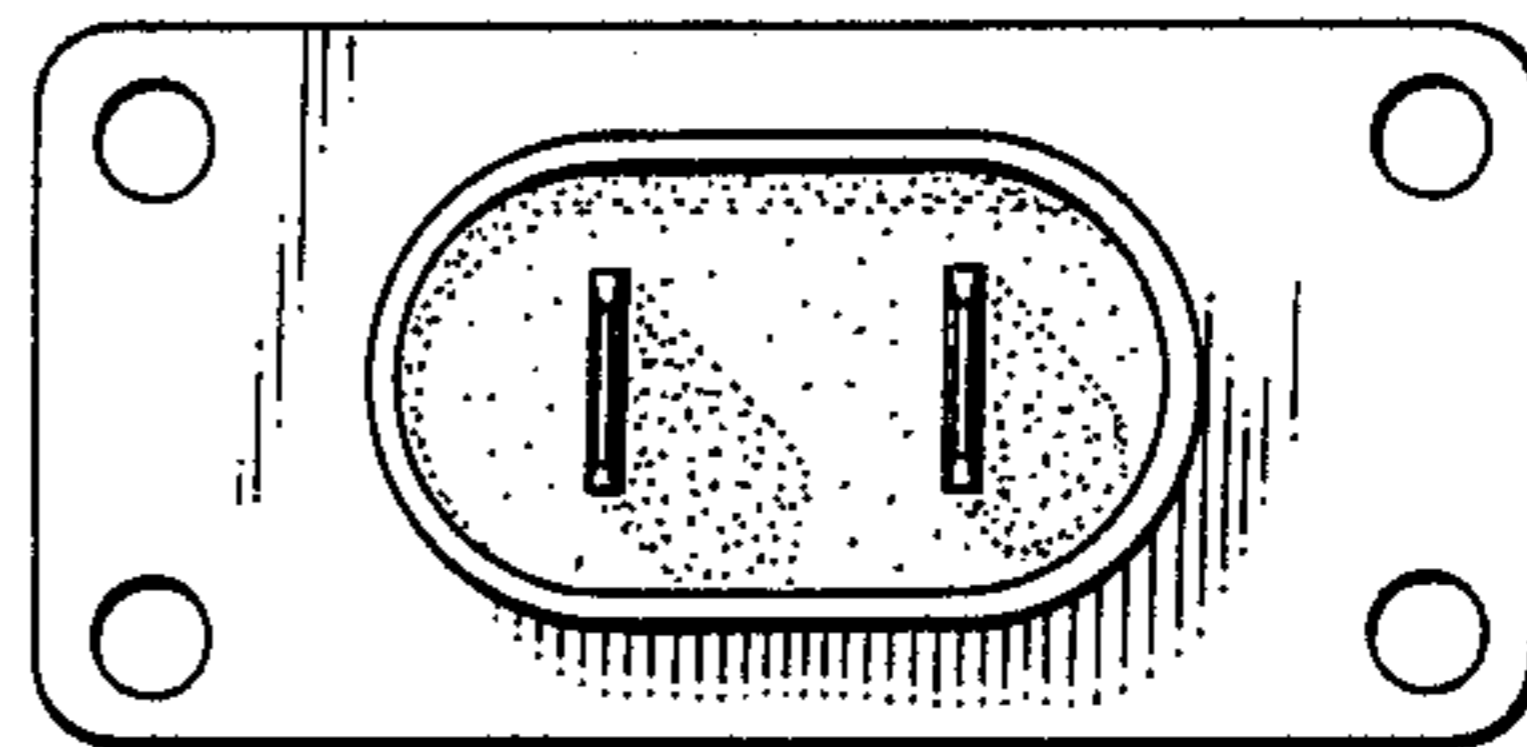


Fig. 9

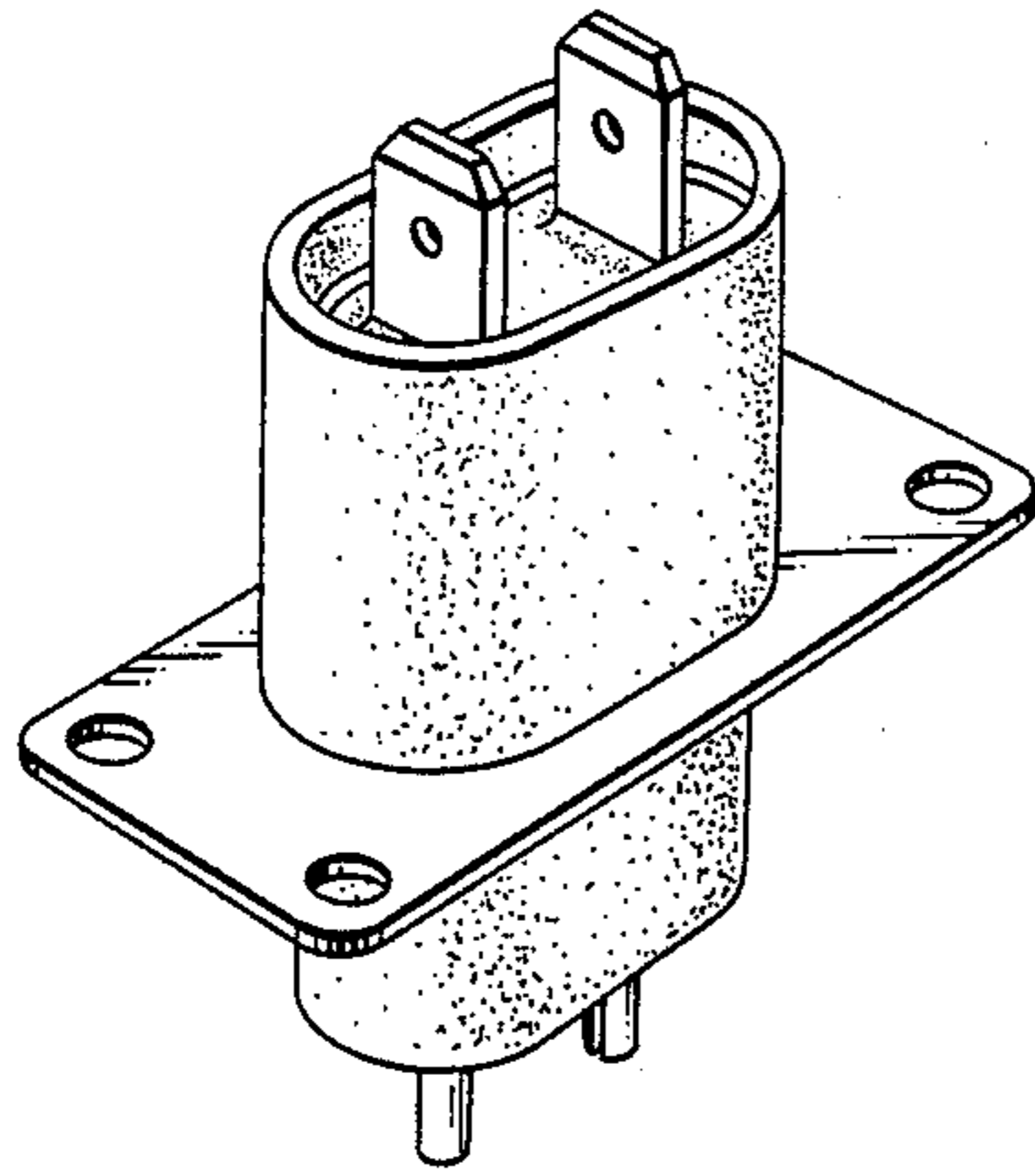


Fig. 10

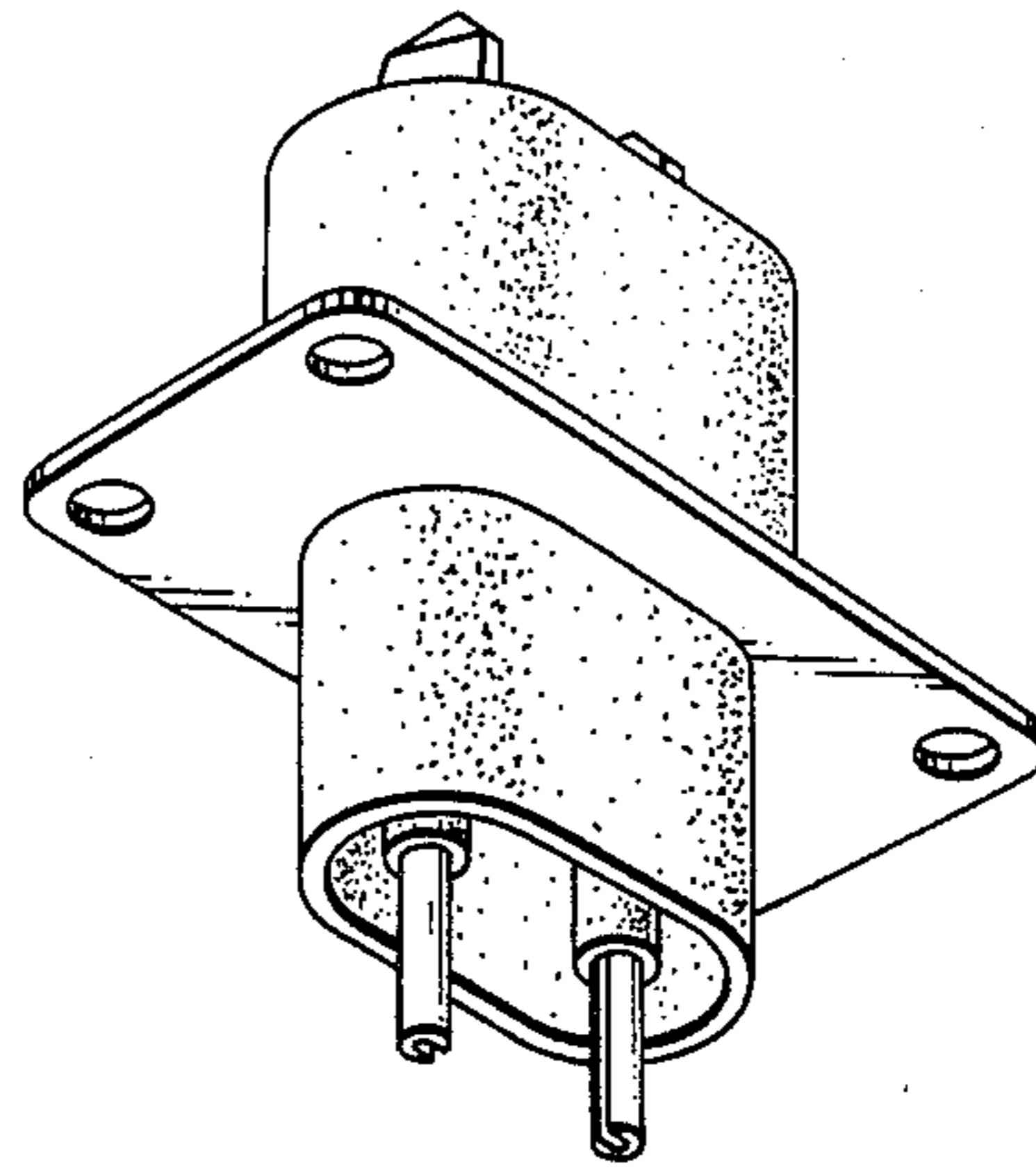


Fig. 11

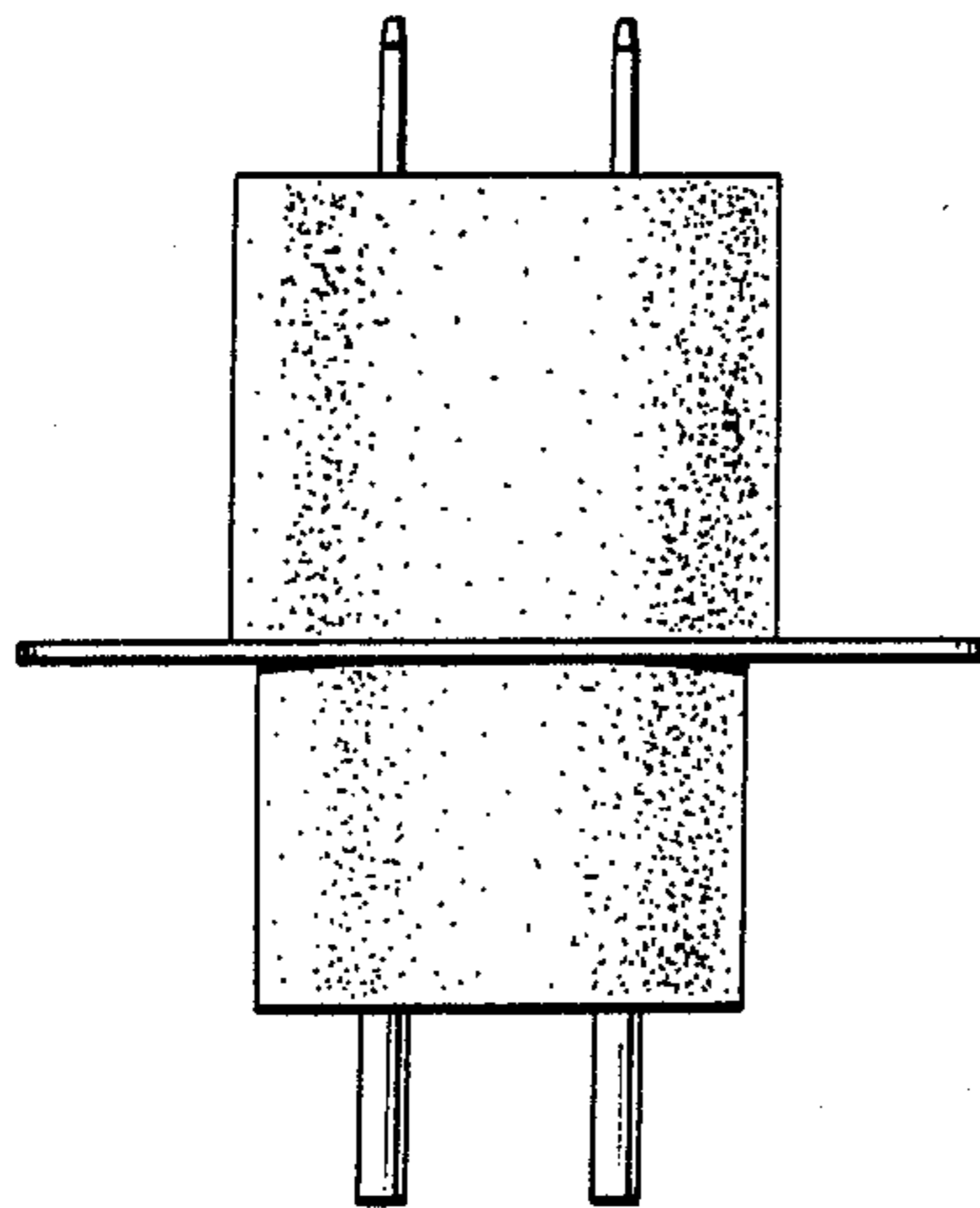


Fig. 12

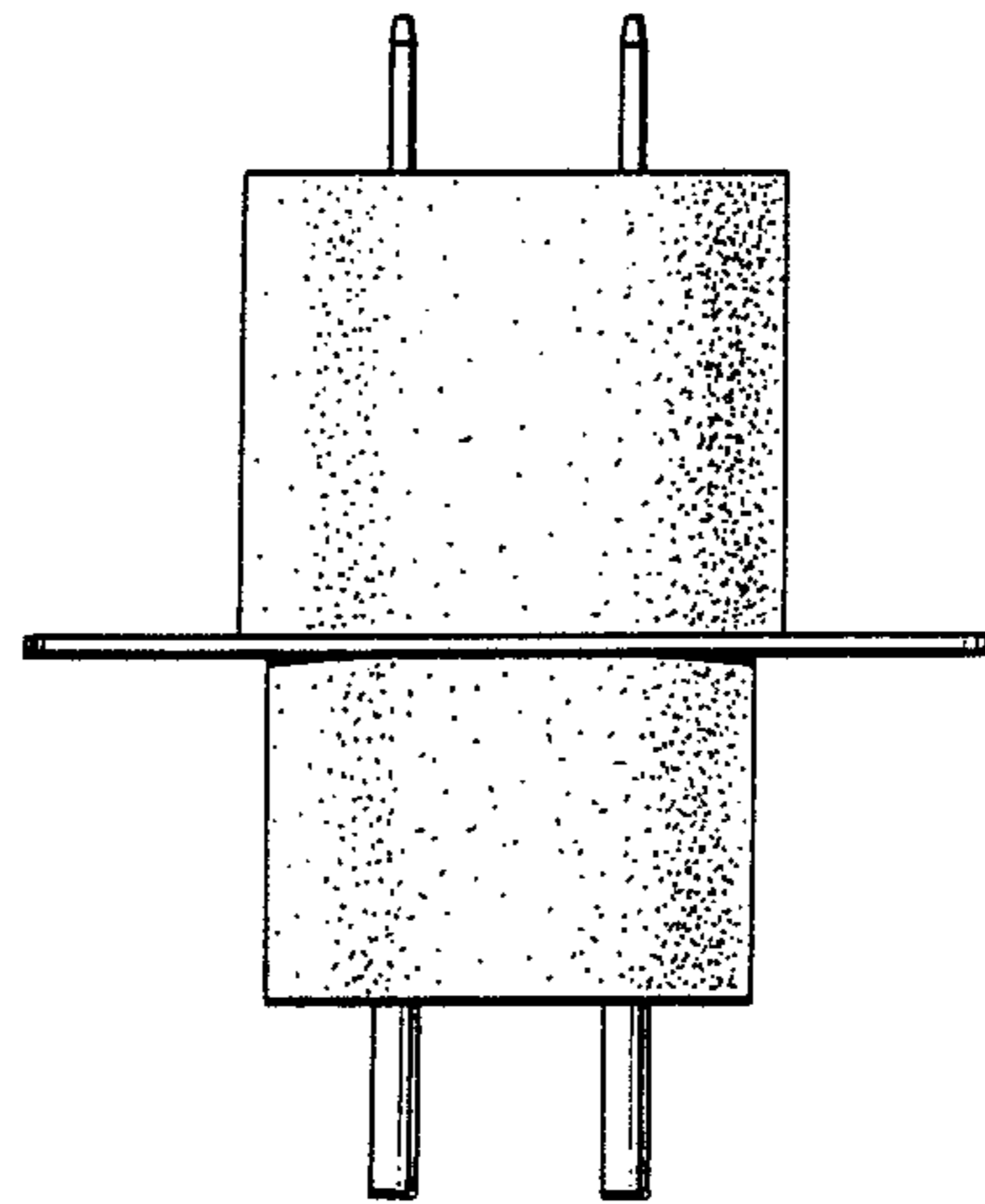


Fig. 13

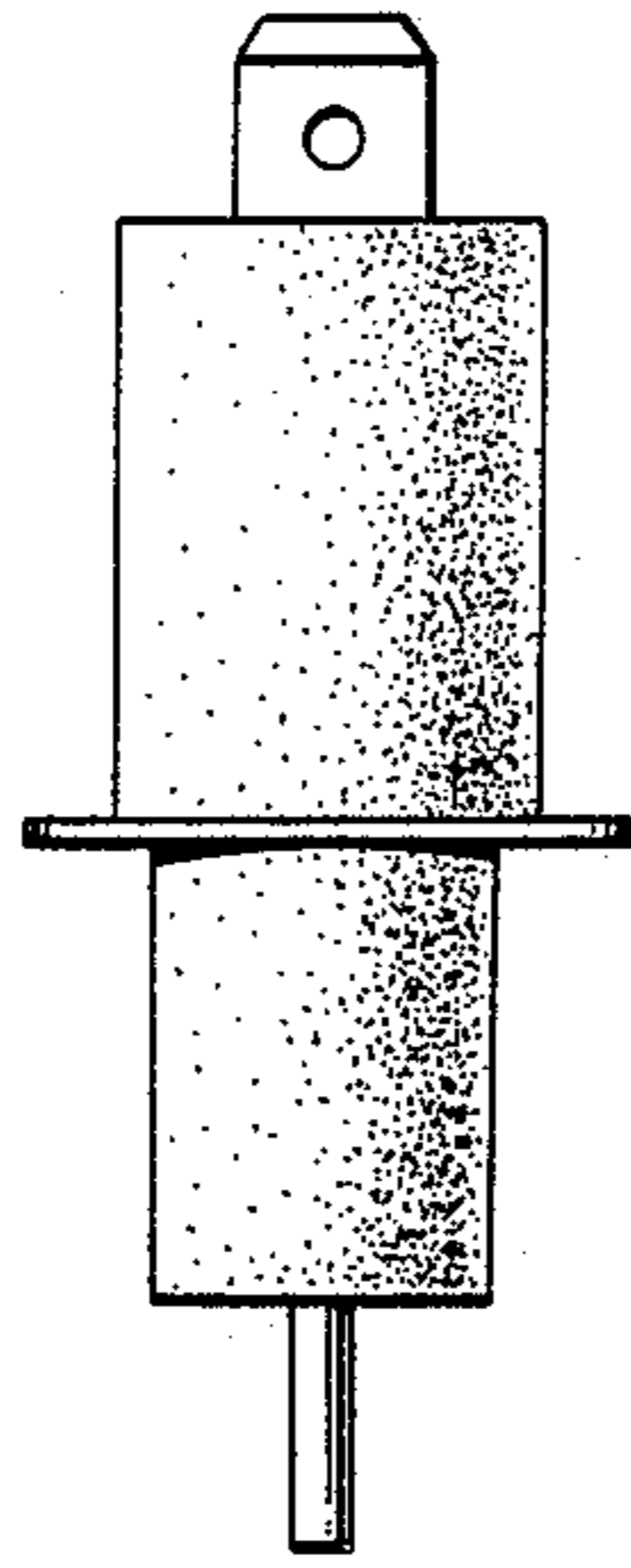


Fig. 14

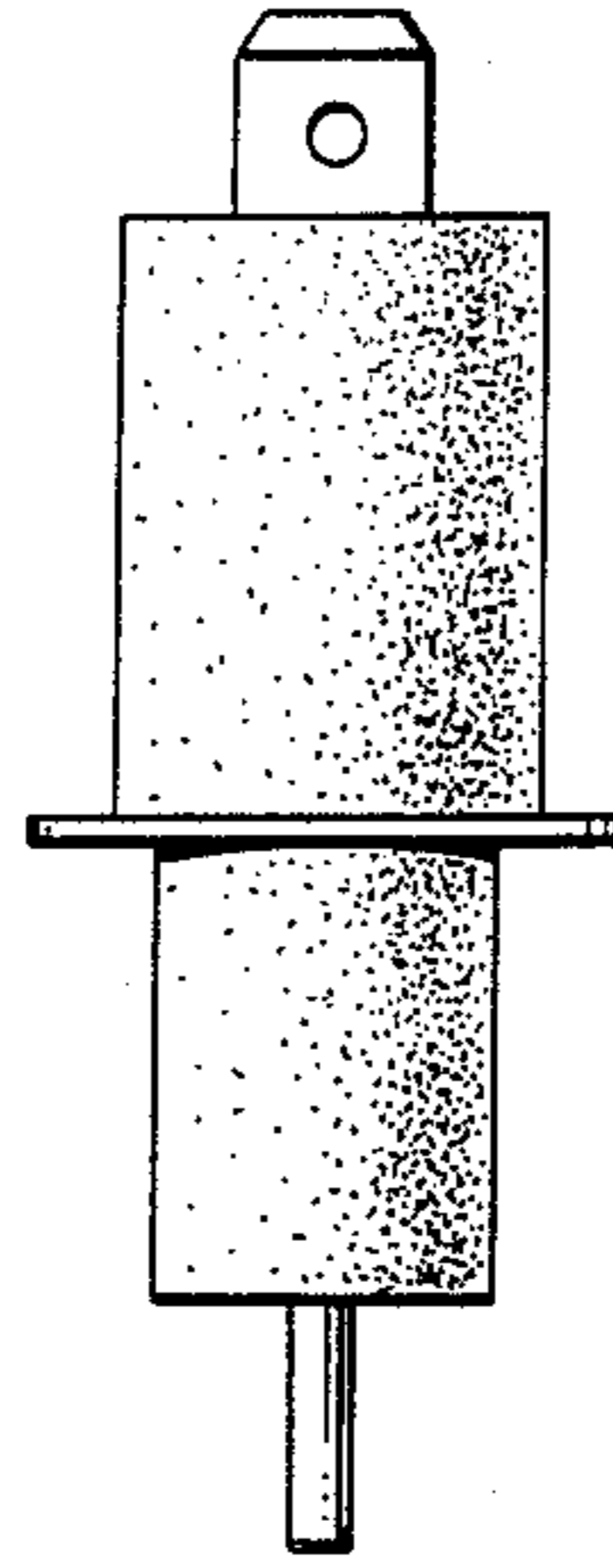


Fig. 15

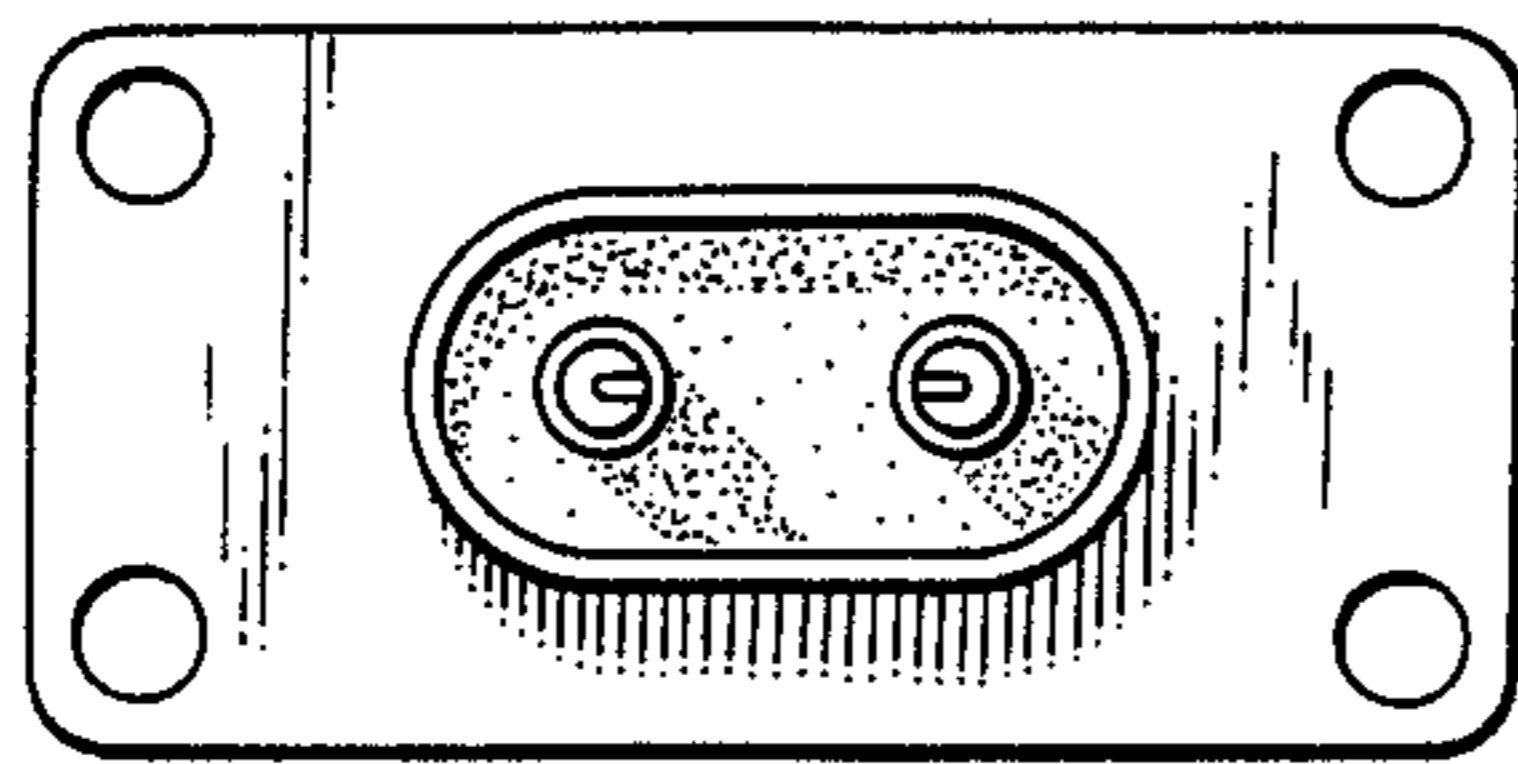


Fig. 16

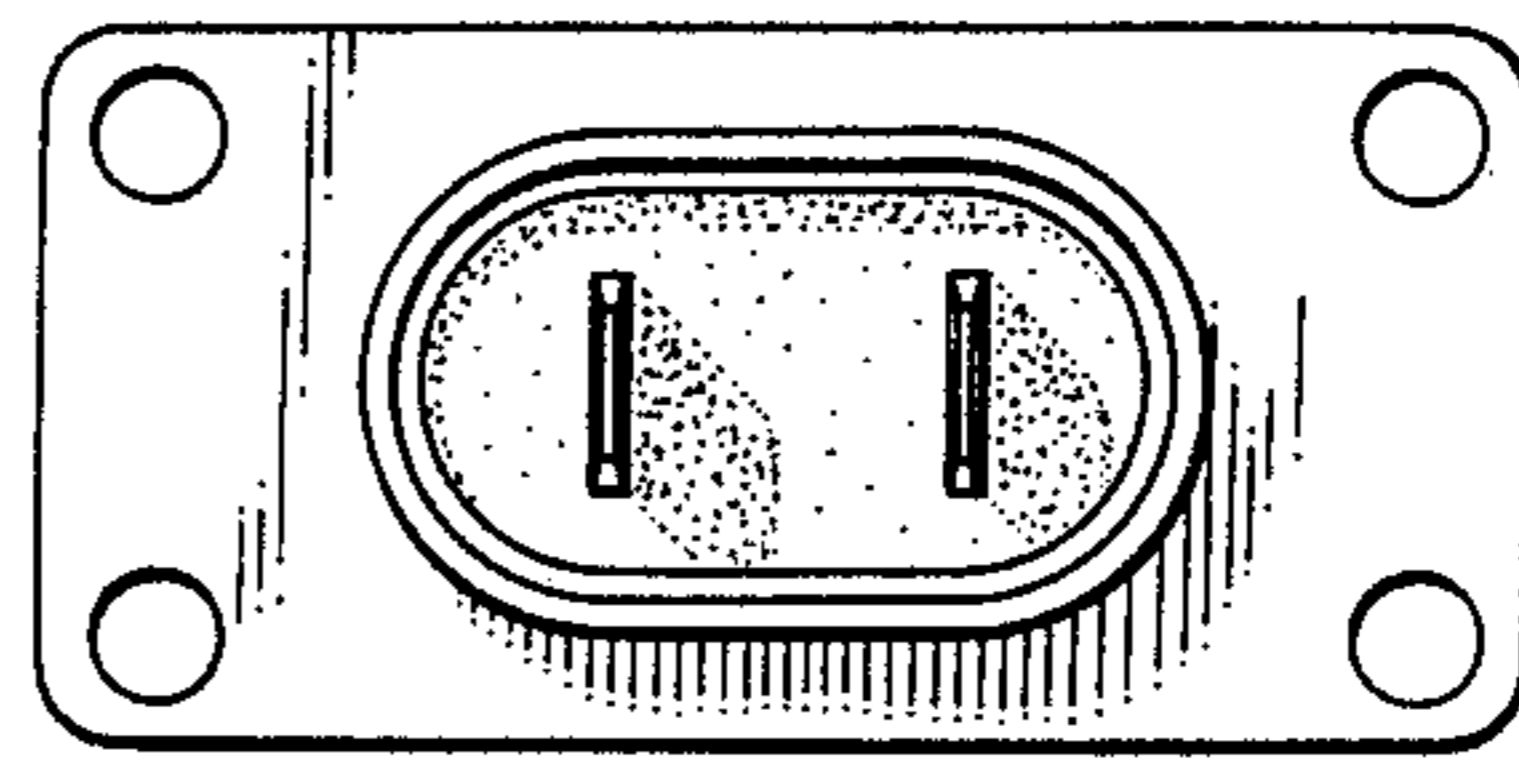


Fig. 17

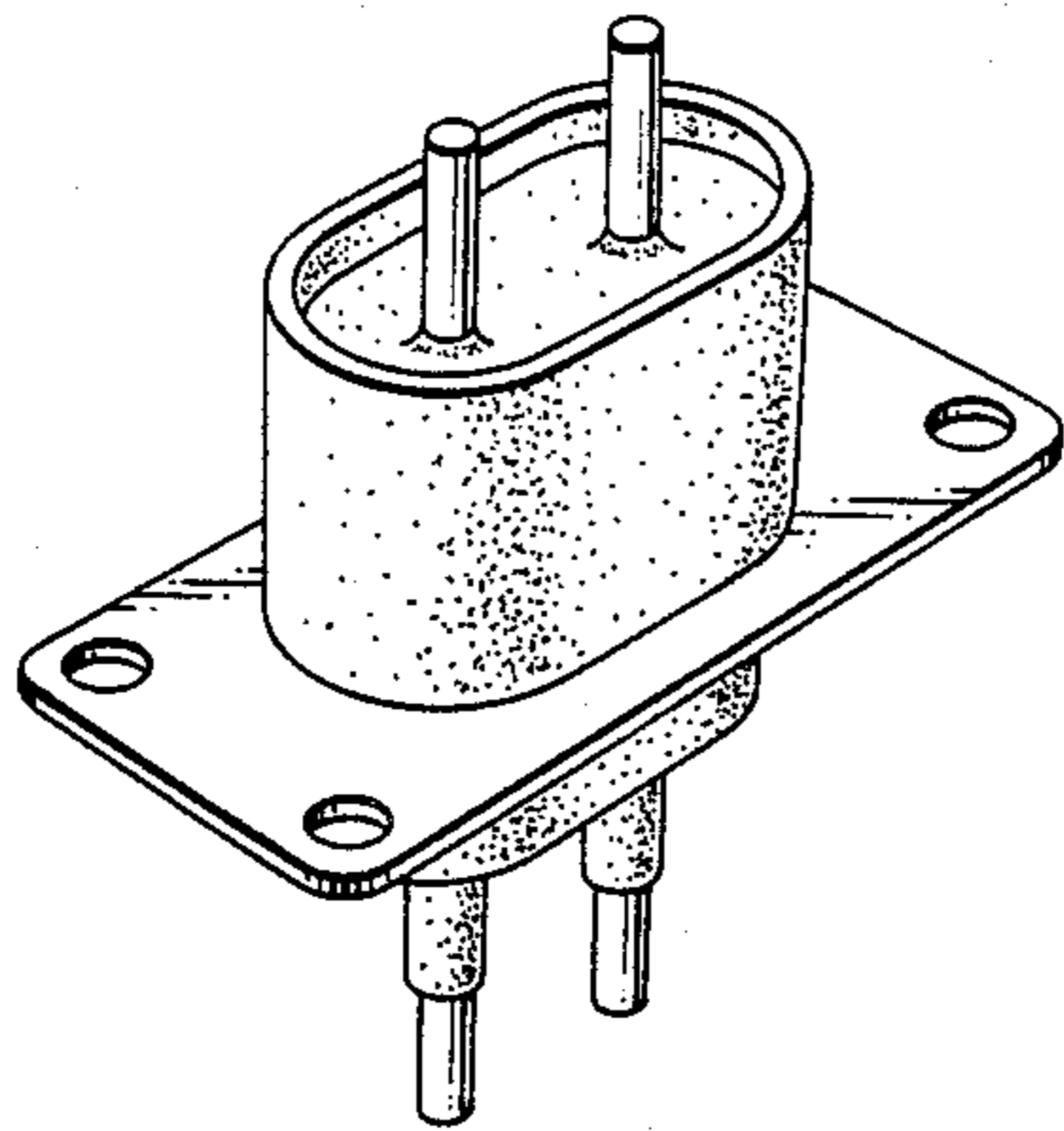


Fig. 18

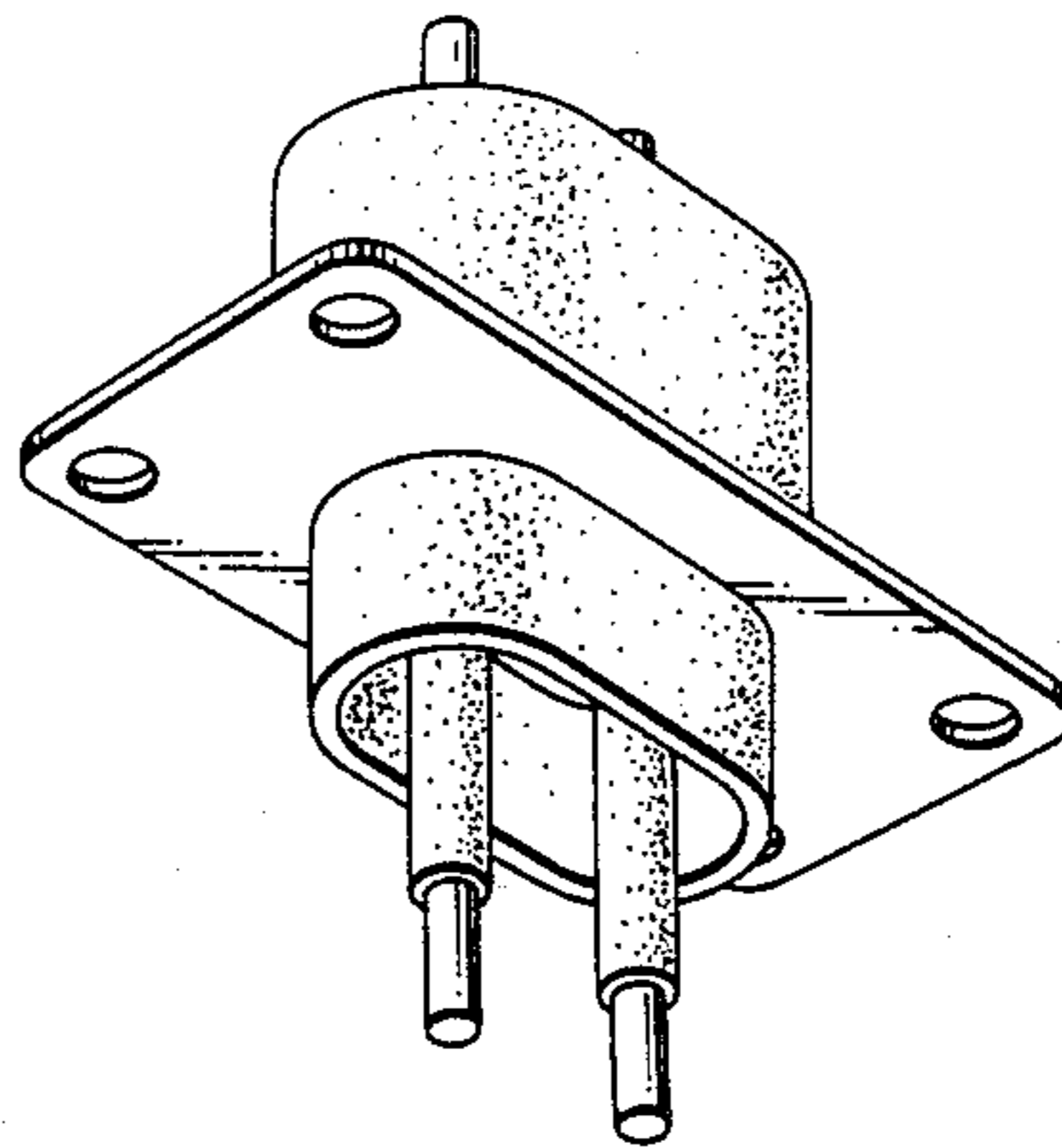


Fig. 19

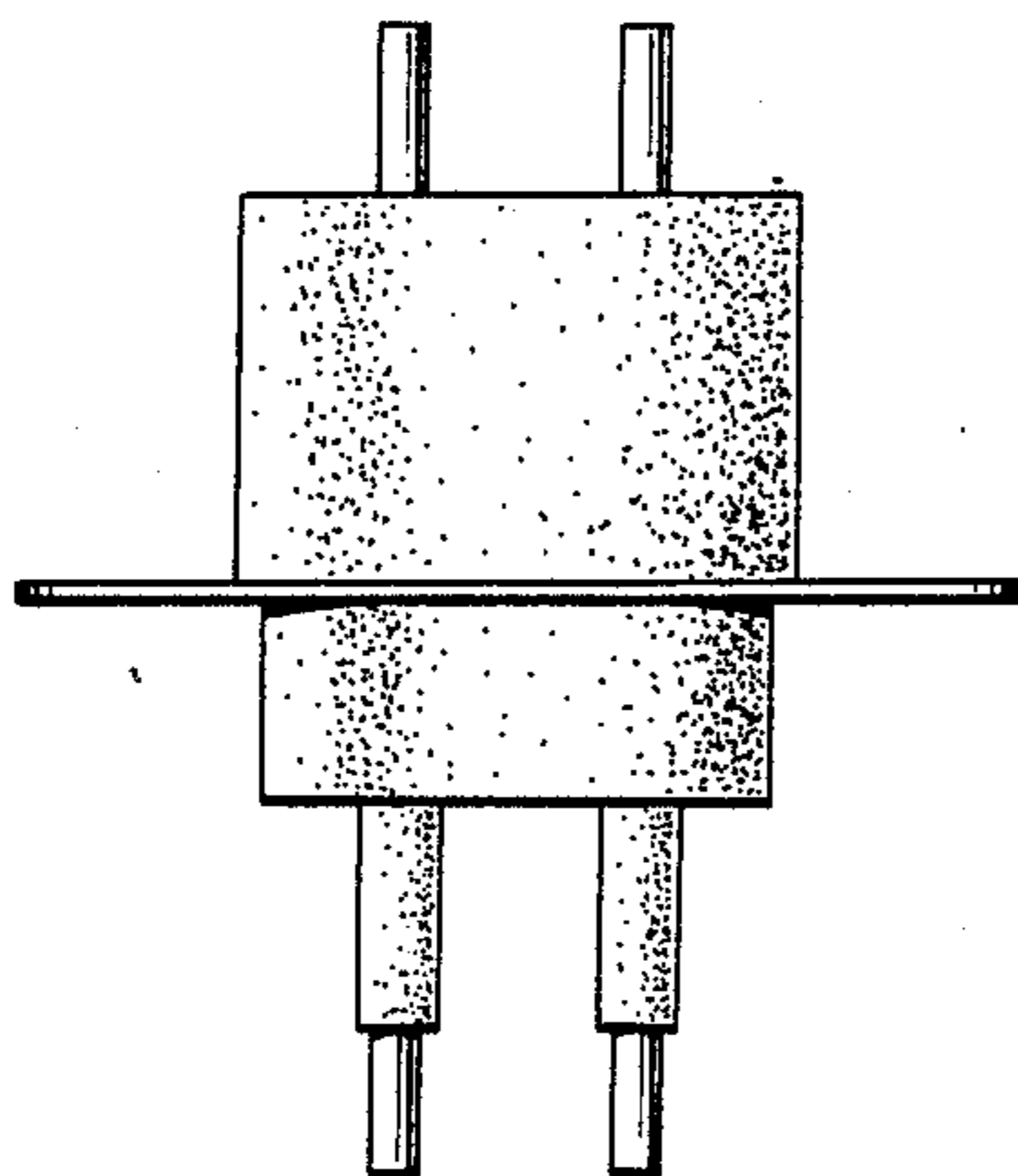


Fig. 20

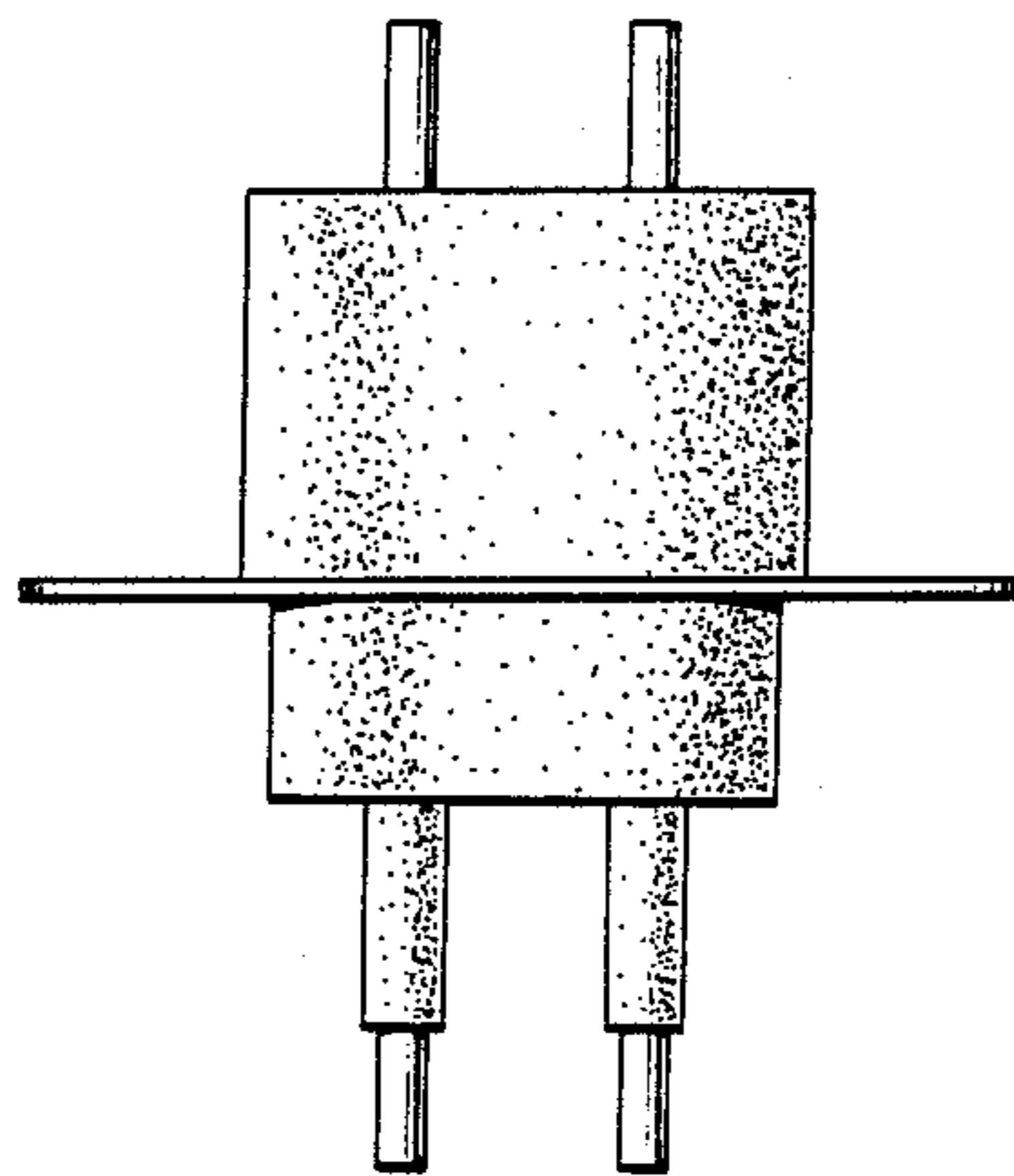


Fig. 21

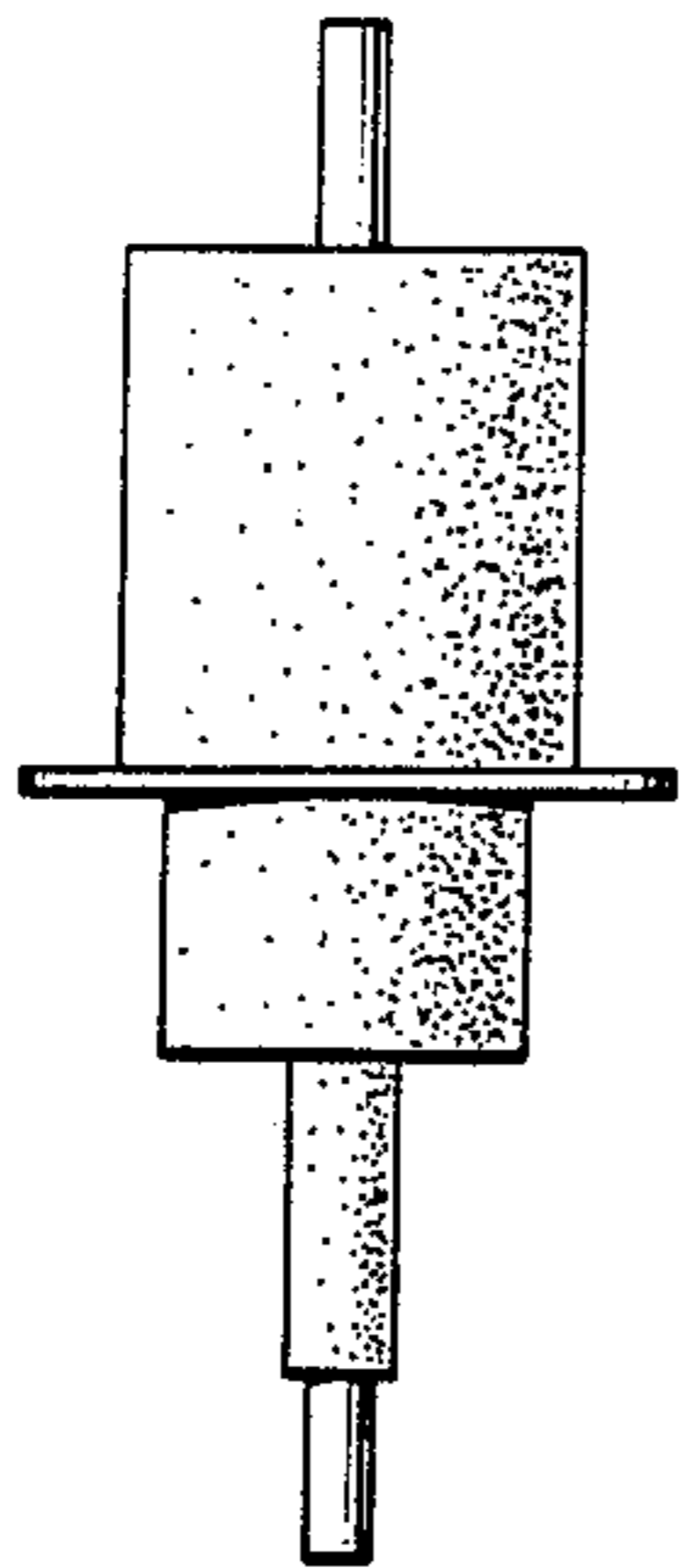


Fig. 22

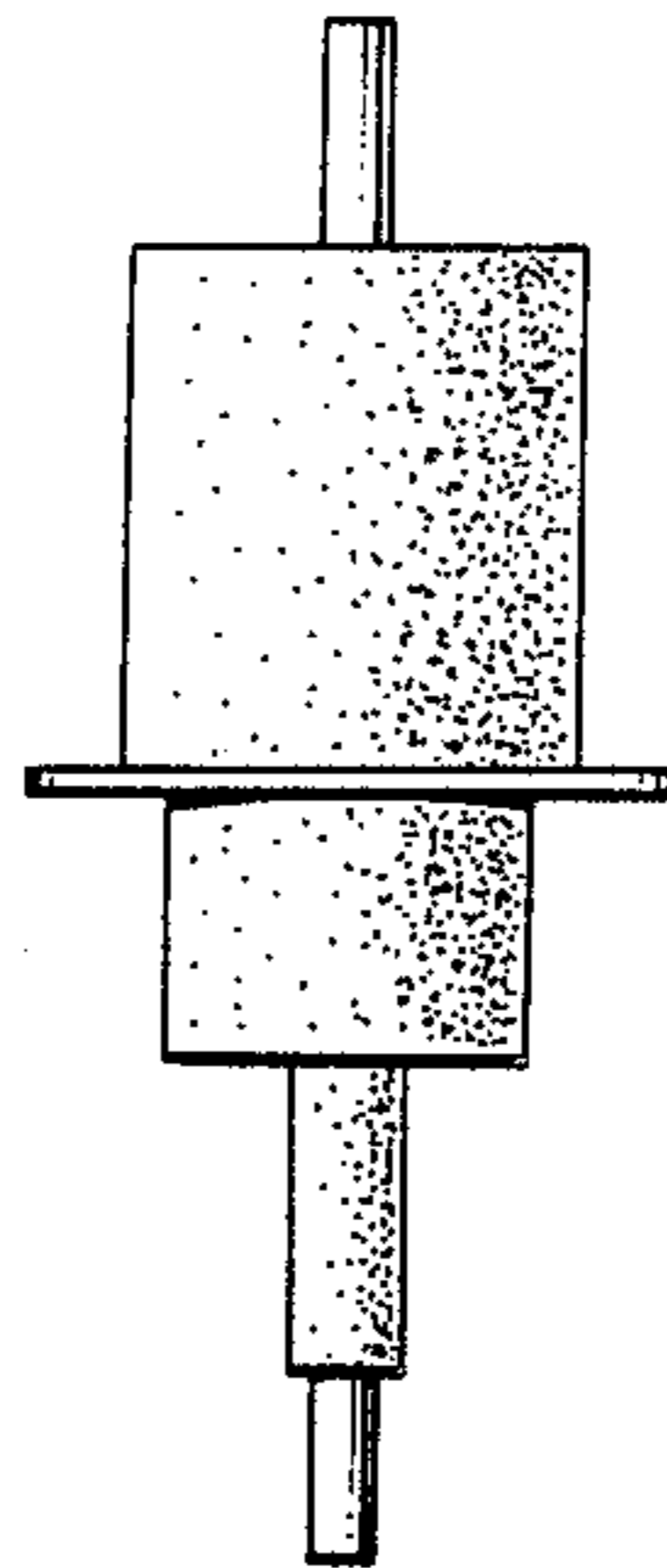


Fig. 23

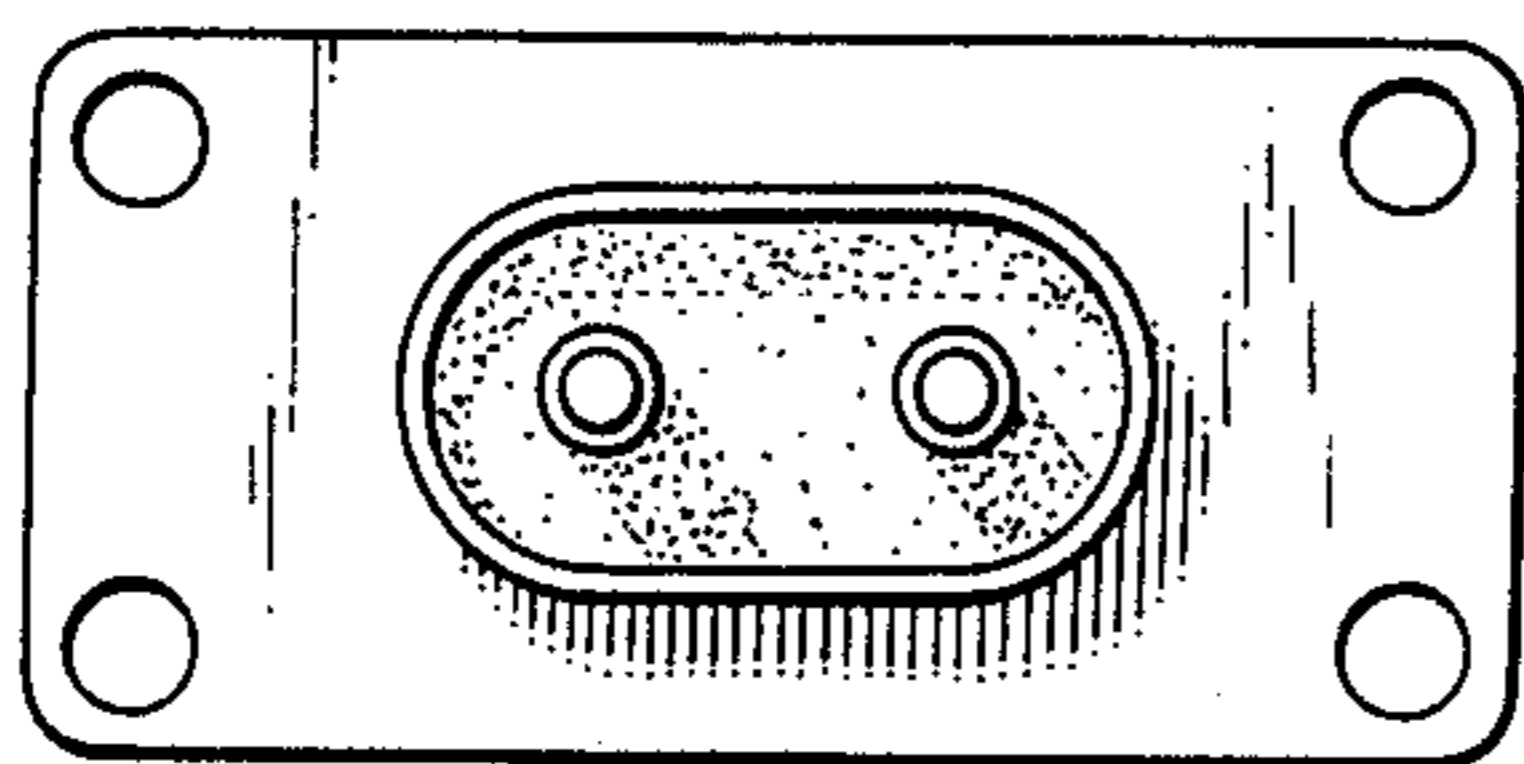


Fig. 24

