

[54] EQUIPMENT TRAILER

[75] Inventor: Keith Edwards, Jonesboro, Ga.
[73] Assignee: Custom Trailer, Inc., Griffin, Ga.

[**] Term: 14 Years

[21] Appl. No.: 11,233

[22] Filed: Feb. 5, 1987

[52] U.S. Cl. D12/101

[58] Field of Search D12/101; 280/63;
296/181, 182; 414/537

[56] References Cited

U.S. PATENT DOCUMENTS

- D. 212,599 11/1968 Stafford, Jr. D12/101
- D. 299,219 1/1989 Edwards D12/101
- 4,514,132 4/1985 Law et al. 414/537

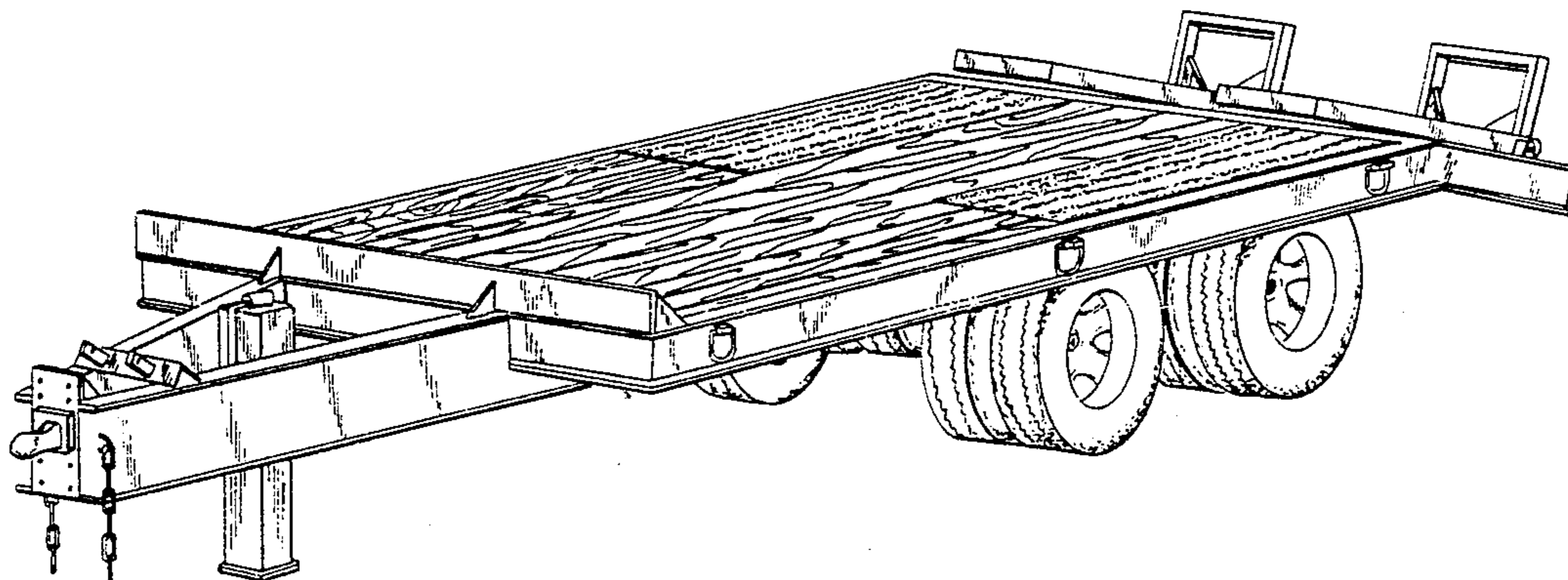
Primary Examiner—James M. Gandy
Assistant Examiner—Melody Brown
Attorney, Agent, or Firm—Thomas & Kennedy

[57] CLAIM

The ornamental design for an equipment trailer, as shown and described.

DESCRIPTION

FIG. 1 is an isometric view of the equipment trailer; FIG. 2 is a top plan view of the equipment trailer; FIG. 3 is a bottom plan view of the equipment trailer; FIG. 4 is a side elevational view of the equipment trailer, the other side being a mirror image thereof. FIG. 5 is a front elevational view of the equipment trailer; and FIG. 6 is a rear elevational view of the equipment trailer.



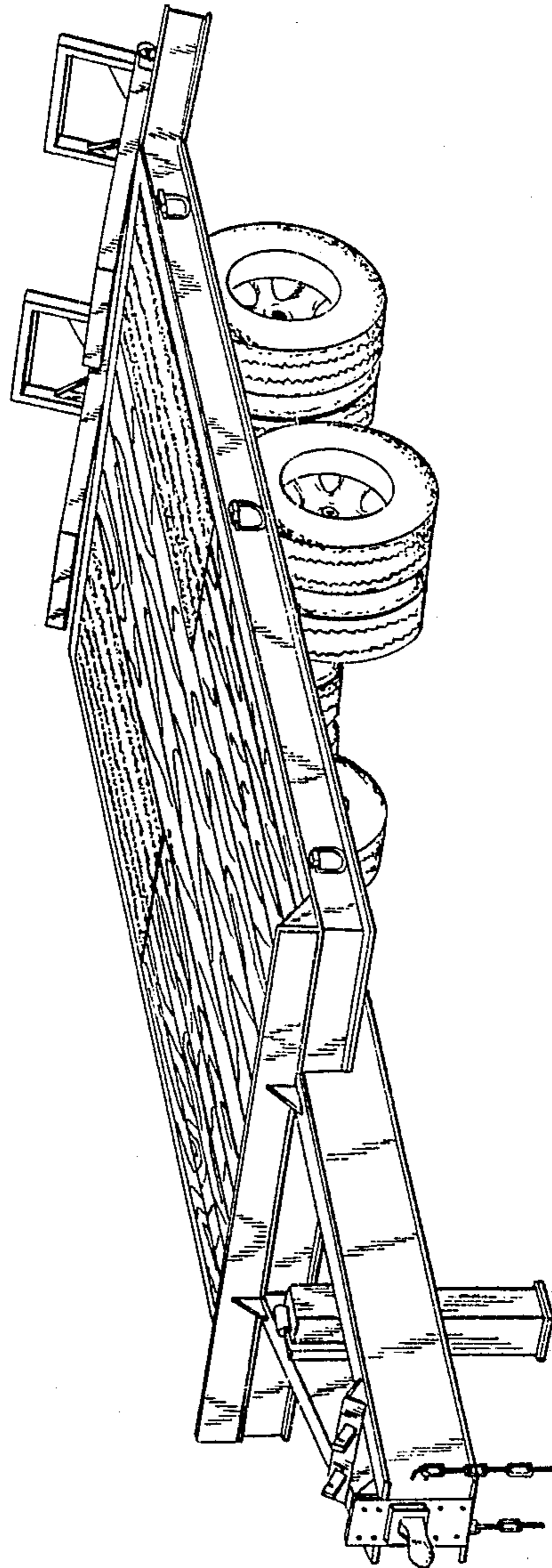
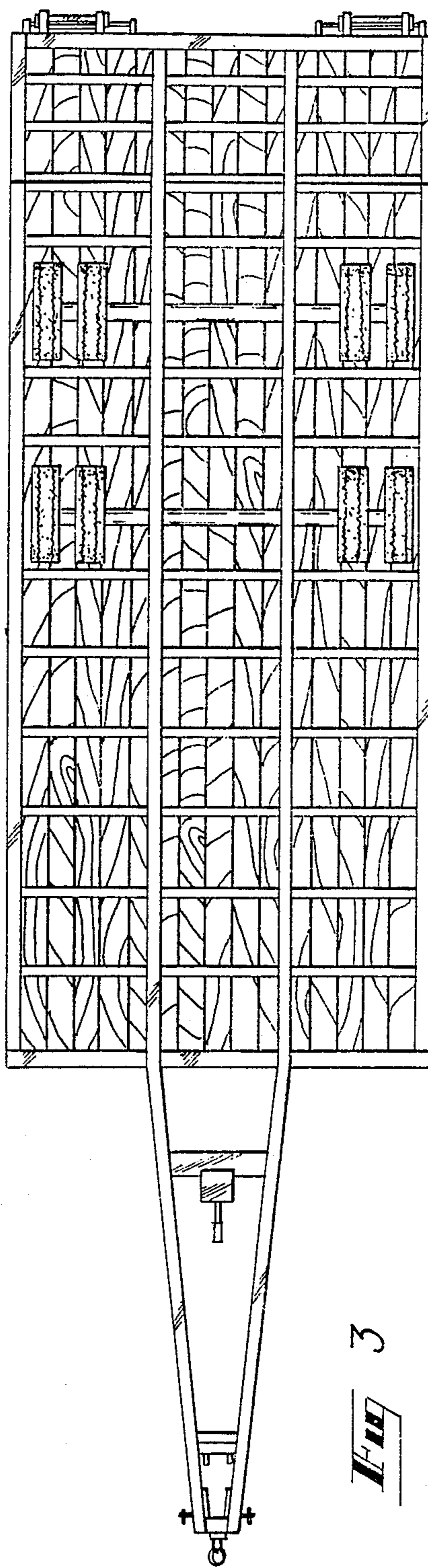
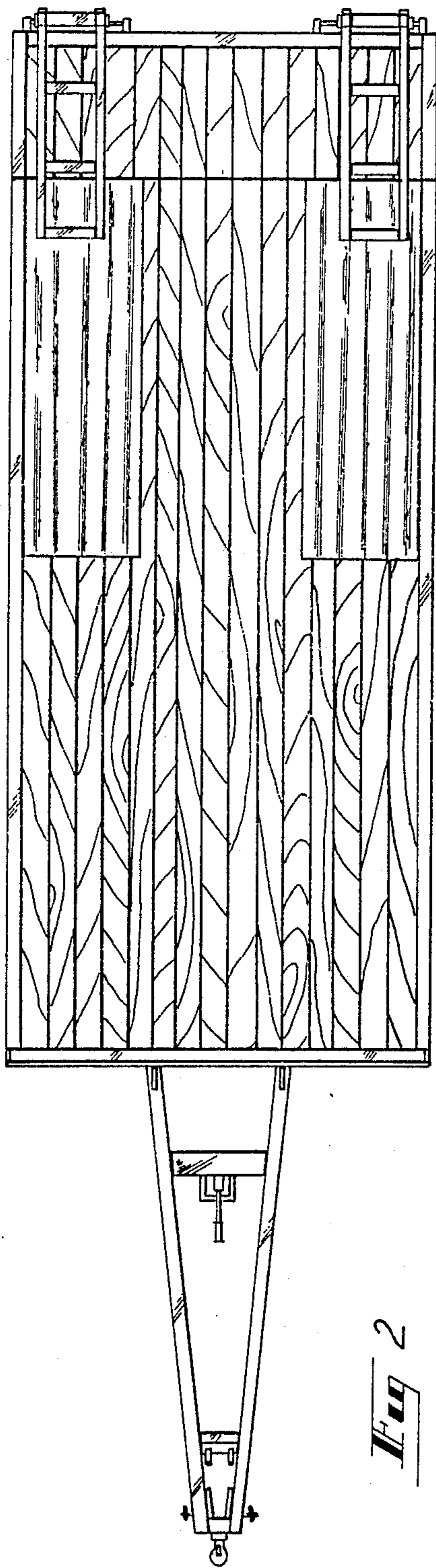


FIG. 1



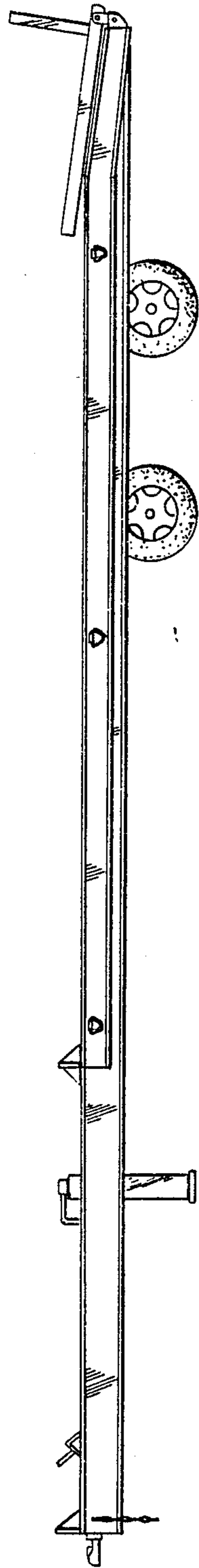


Fig 4

Fig 5

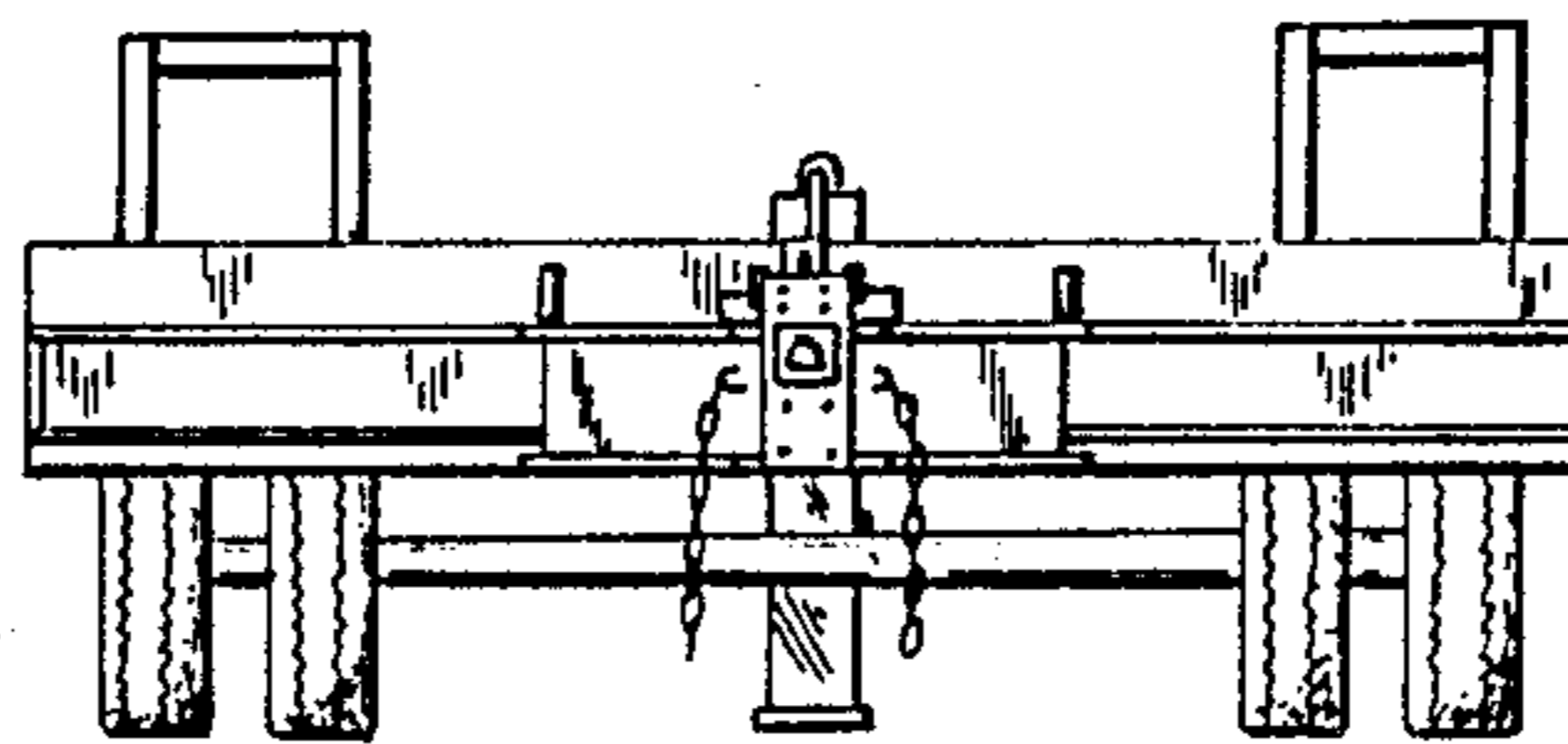


Fig 6

