

[54] WIND FAIRING

[76] Inventor: Clyde Nitzke, 730 Robert, Poy Sippi, Wis. 54967

[\*\*] Term: 14 Years

[21] Appl. No.: 139,035

[22] Filed: Dec. 28, 1987

[52] U.S. Cl. .... D12/181; D12/96

[58] Field of Search ..... D12/181, 96, 93; 296/180.1, 180.2, 91

[56] References Cited

U.S. PATENT DOCUMENTS

- D. 236,449 8/1975 De Vaughn ..... D12/181
- 4,214,786 7/1980 Morrison ..... 296/180.2

Primary Examiner—James M. Gandy  
Attorney, Agent, or Firm—Russell L. Johnson

[57] CLAIM

The ornamental design for a wind fairing, as shown and described.

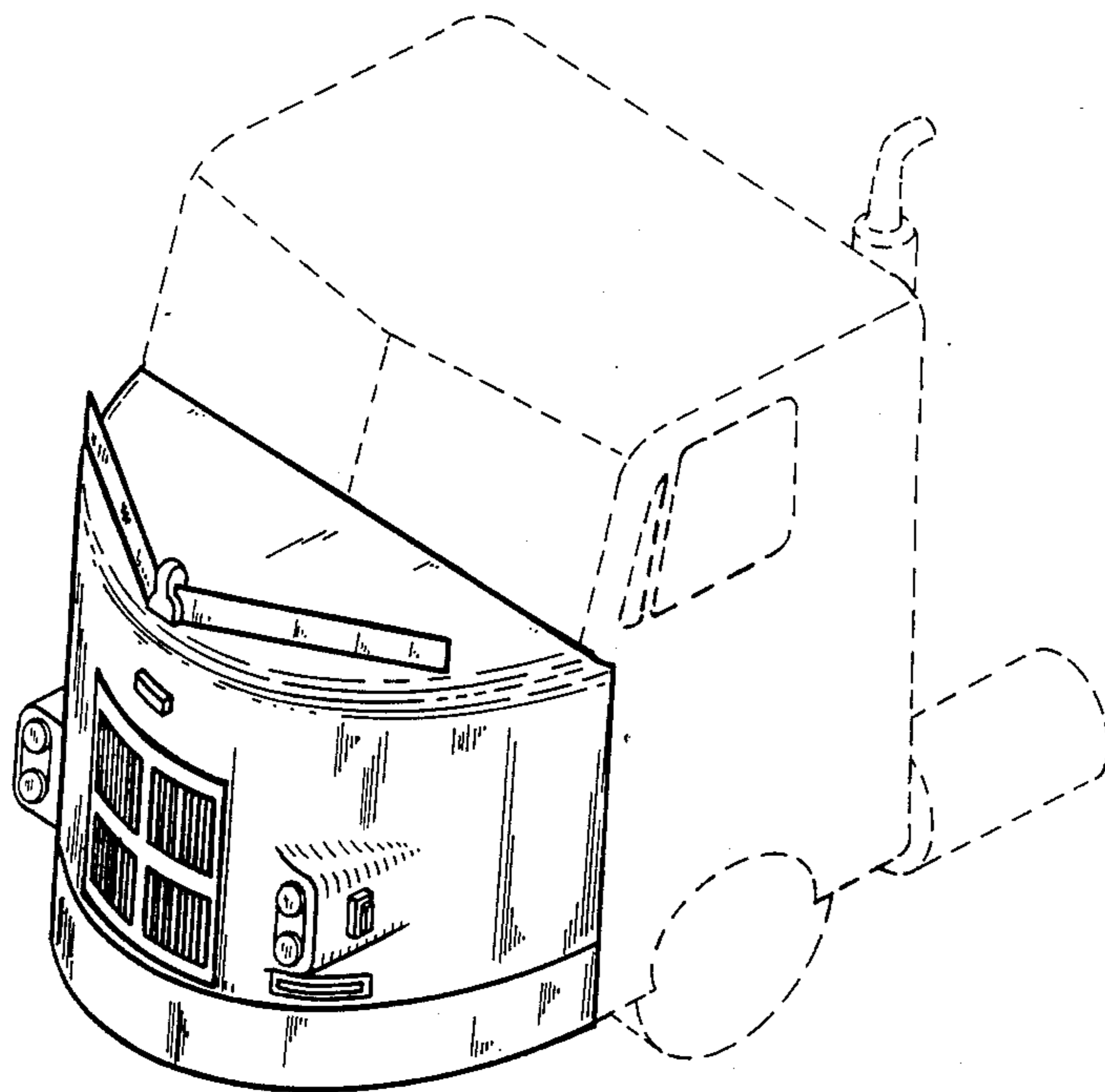
DESCRIPTION

FIG. 1 is a perspective view of the wind fairing showing my design;

FIG. 2 is a side elevation view thereof; and,

FIG. 3 is a front elevation view thereof.

The broken line showing a truck tractor in FIG. 1 is for illustrative purposes only in showing the relationship between fairing and a truck tractor, and forms no part of the claimed design.



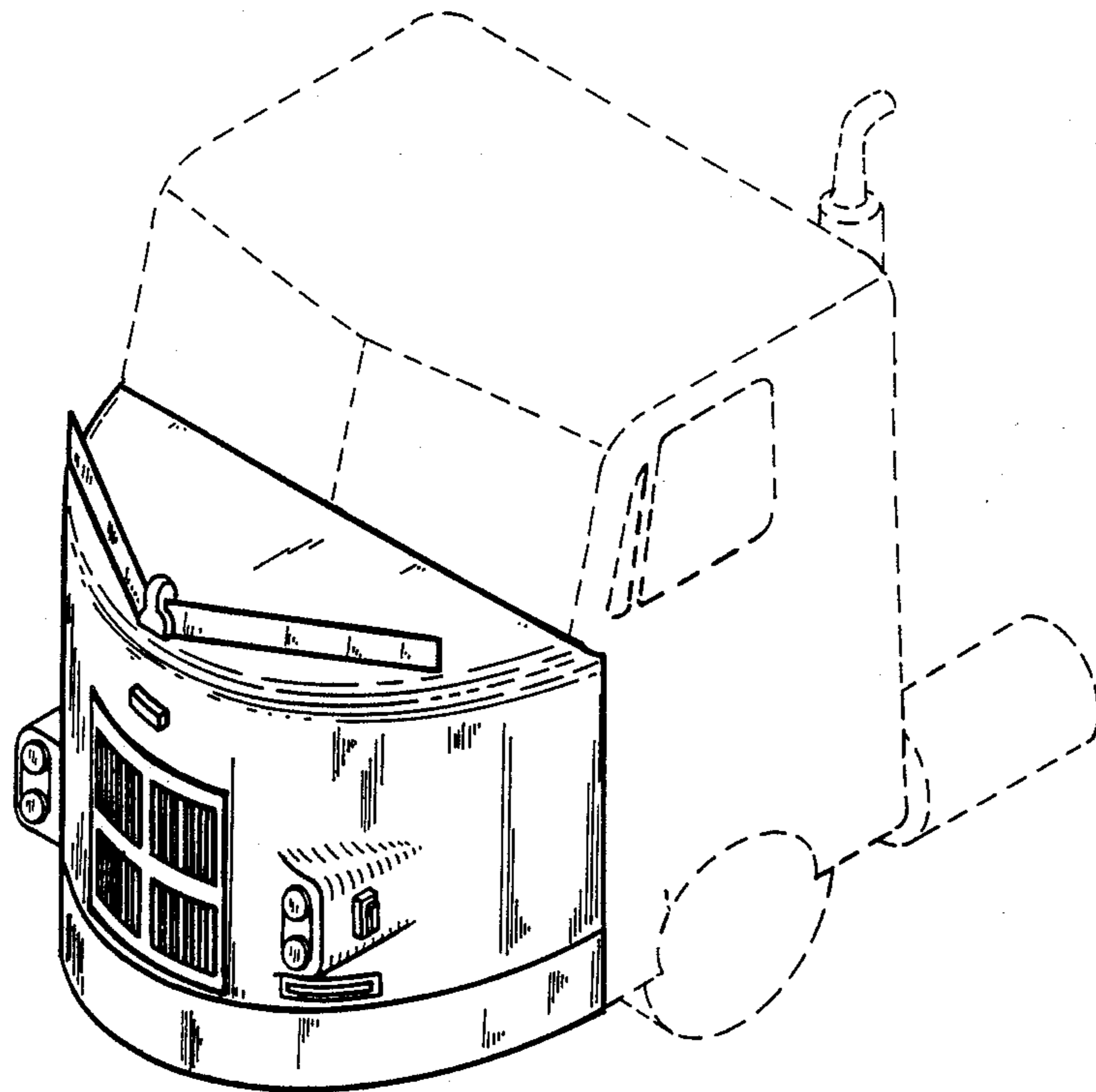


FIGURE 1

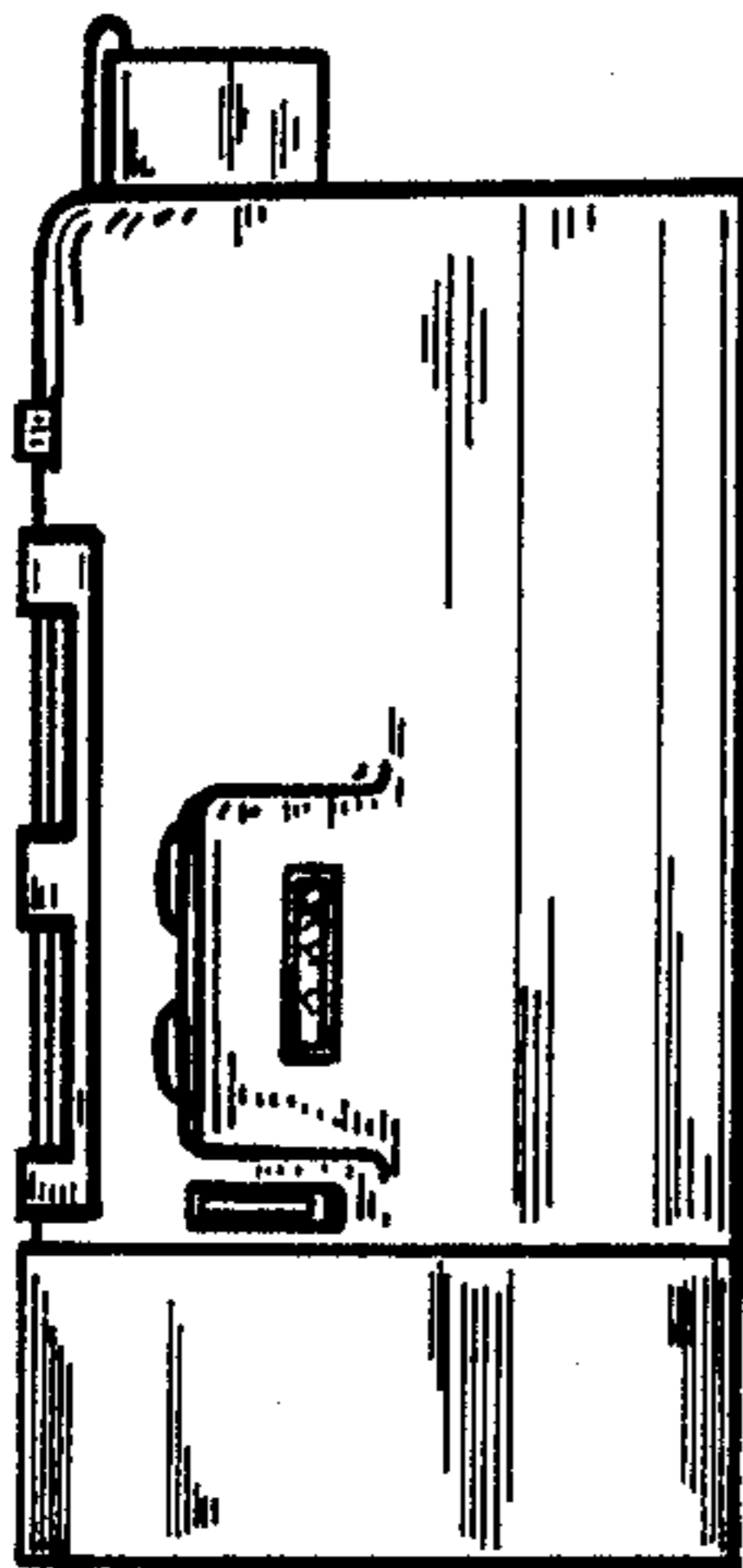


FIGURE 2

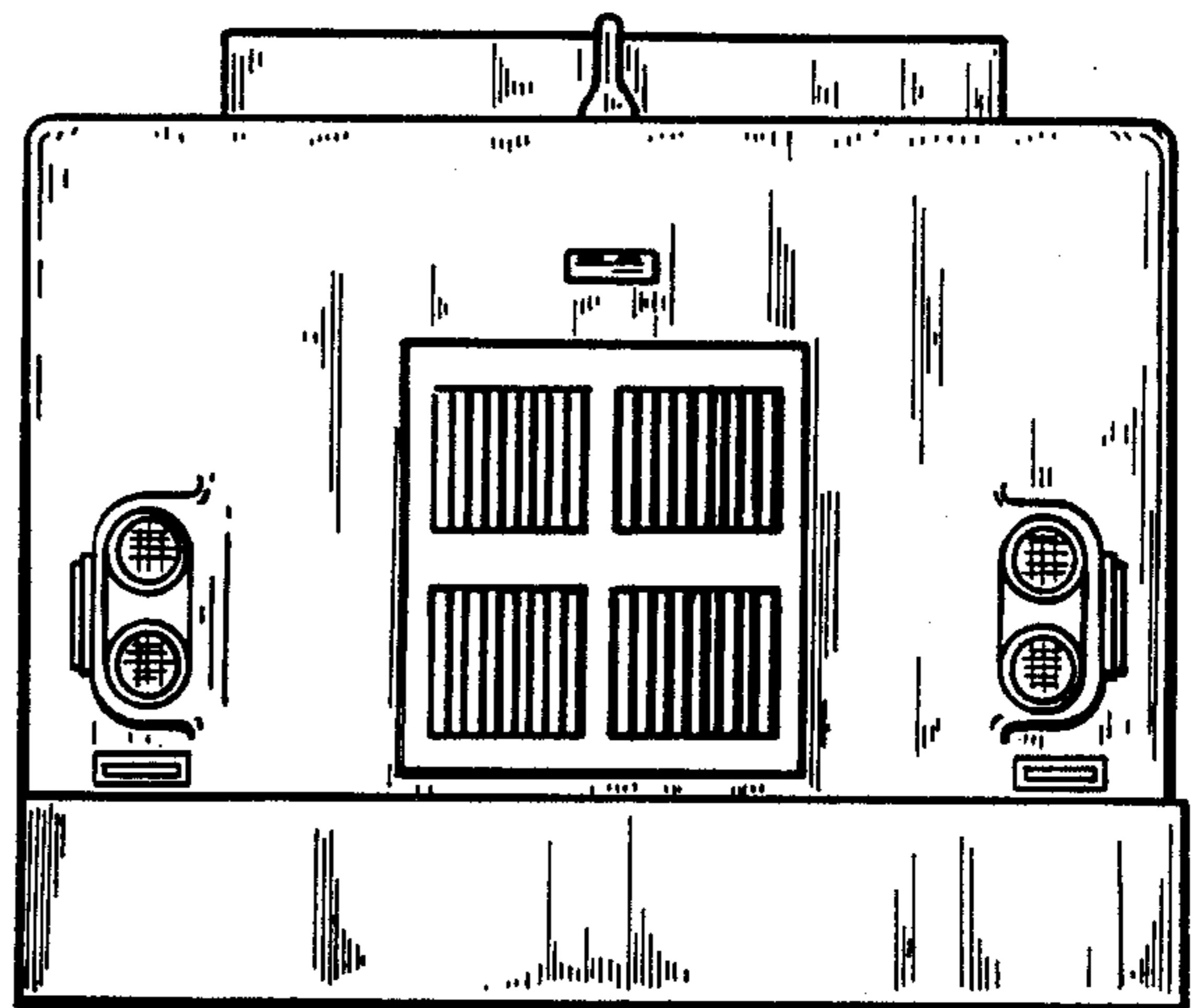


FIGURE 3