

[54] BIKE CARRIER

[76] Inventor: Thomas O. Morehouse, 3828 NE. 45th, Redmond, Oreg. 97756

[**] Term: 14 Years

[21] Appl. No.: 134,917

[22] Filed: Dec. 18, 1987

[52] U.S. Cl. D12/158

[58] Field of Search D12/158; 224/42.03 B

[56] References Cited

U.S. PATENT DOCUMENTS

3,567,052	2/1971	Allen et al.	D12/158
3,670,935	6/1972	Hinkston	D12/158
3,877,622	4/1975	McLain	224/42.03 B
3,891,132	6/1975	Chandler	224/42.03 B
3,901,421	8/1975	Kalicki et al.	D12/158
3,912,139	10/1975	Bowman	D12/158

OTHER PUBLICATIONS

Popular Science, 12/77, p. 89, RV Rack Carrier.

Primary Examiner—James M. Gandy

Assistant Examiner—Melody N. Brown

Attorney, Agent, or Firm—Jerry T. Kearns

[57] CLAIM

The ornamental design for a bike carrier, as shown.

DESCRIPTION

FIG. 1 is a front elevational view of a bike carrier showing my new design;

FIG. 2 is a rear elevational view thereof;

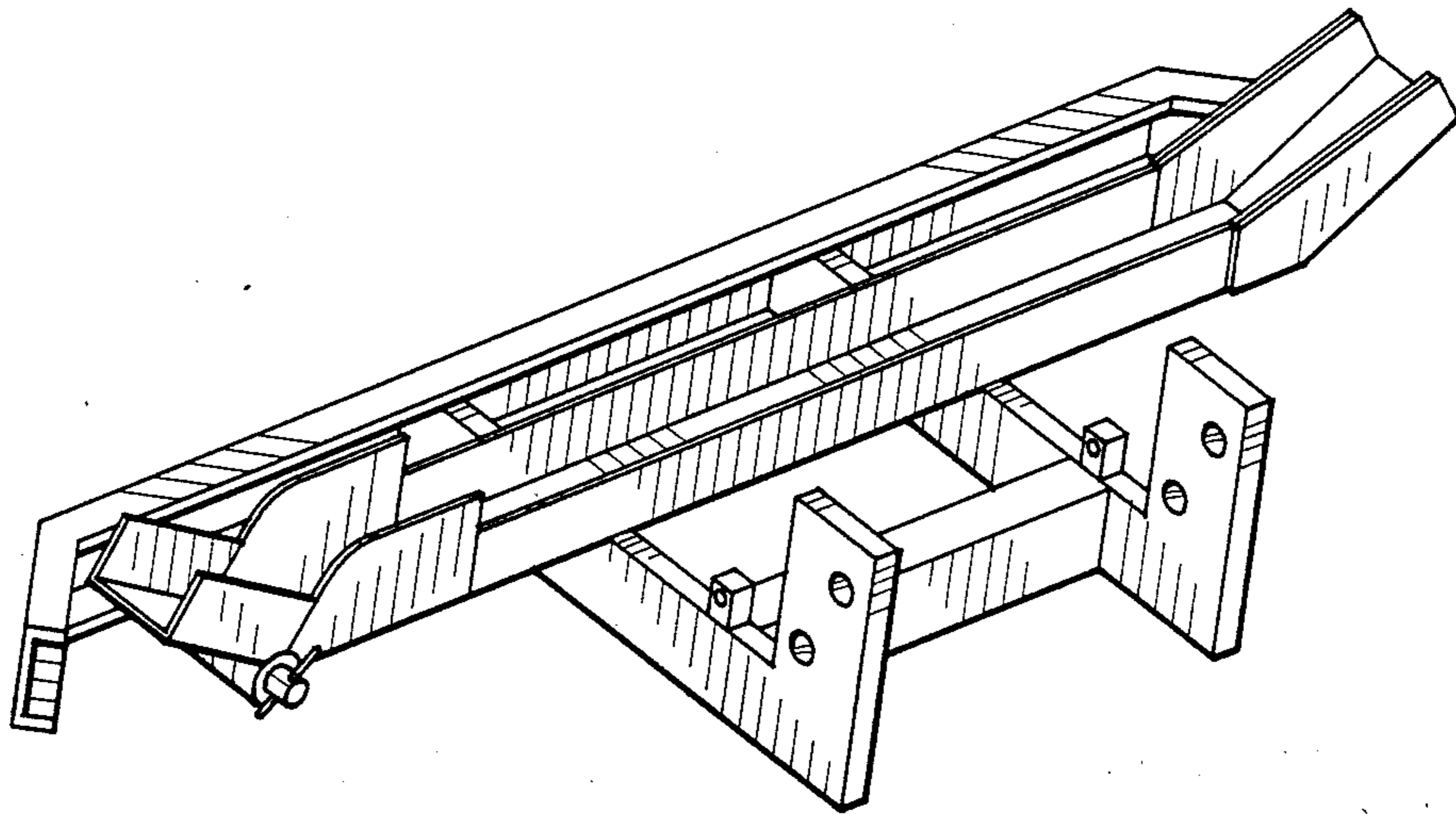
FIG. 3 is a left side elevational view thereof;

FIG. 4 is a right side elevational view thereof;

FIG. 5 is a top plan view thereof;

FIG. 6 is a bottom plan view thereof; and,

FIG. 7 is a perspective view thereof.



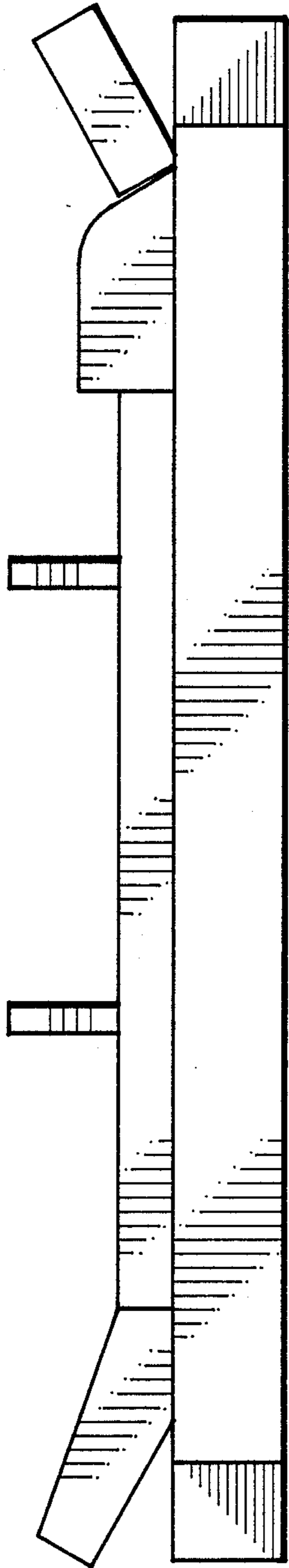


Fig. 1

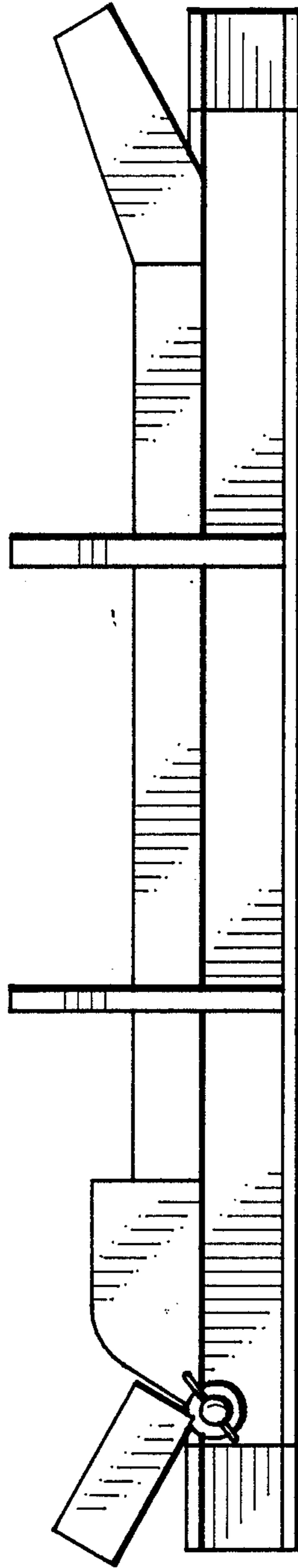


Fig. 2

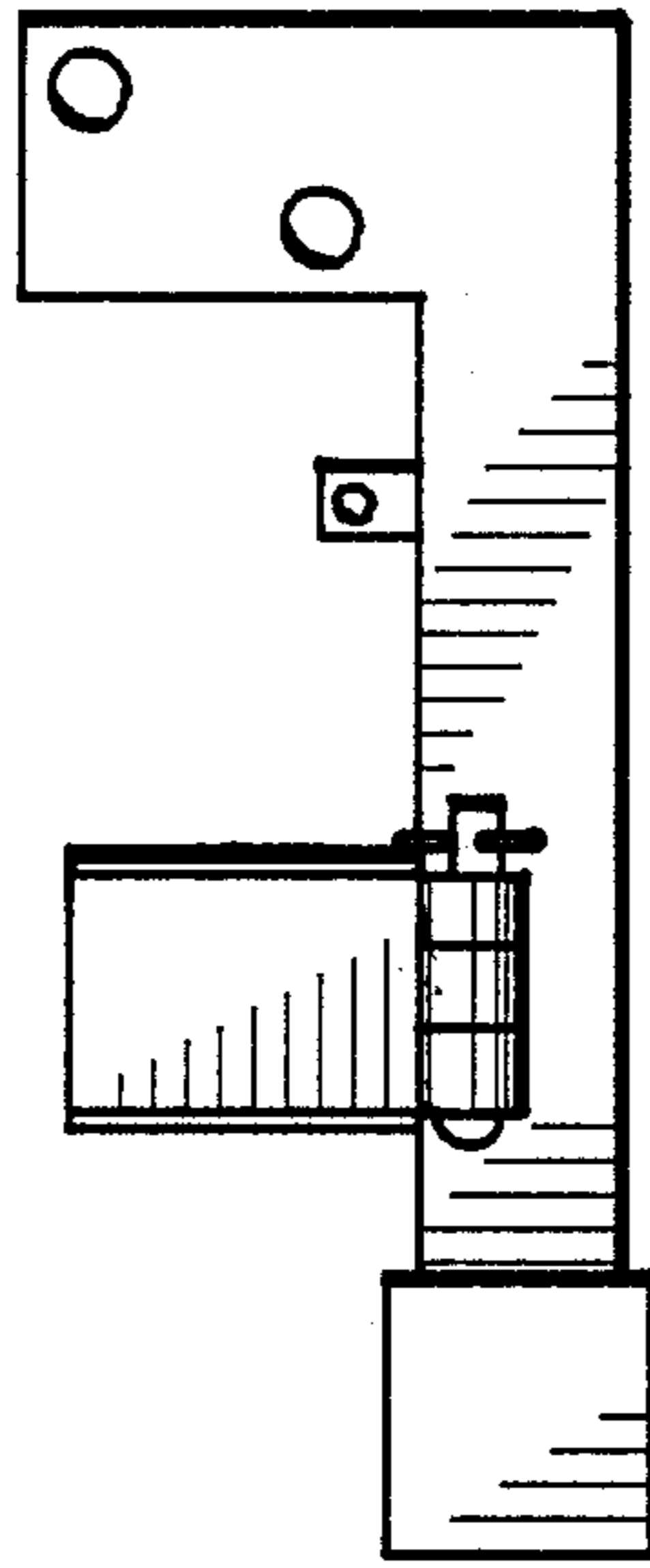


Fig. 3

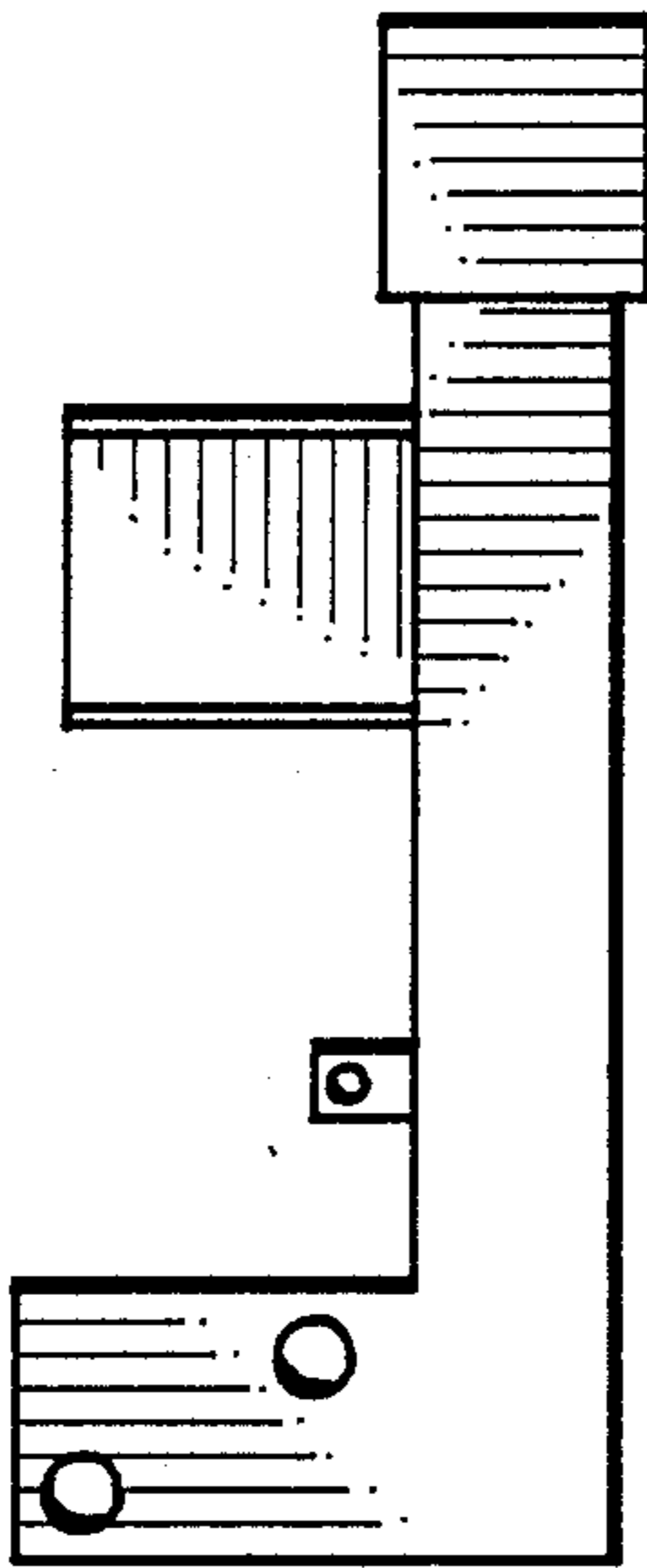


Fig. 4

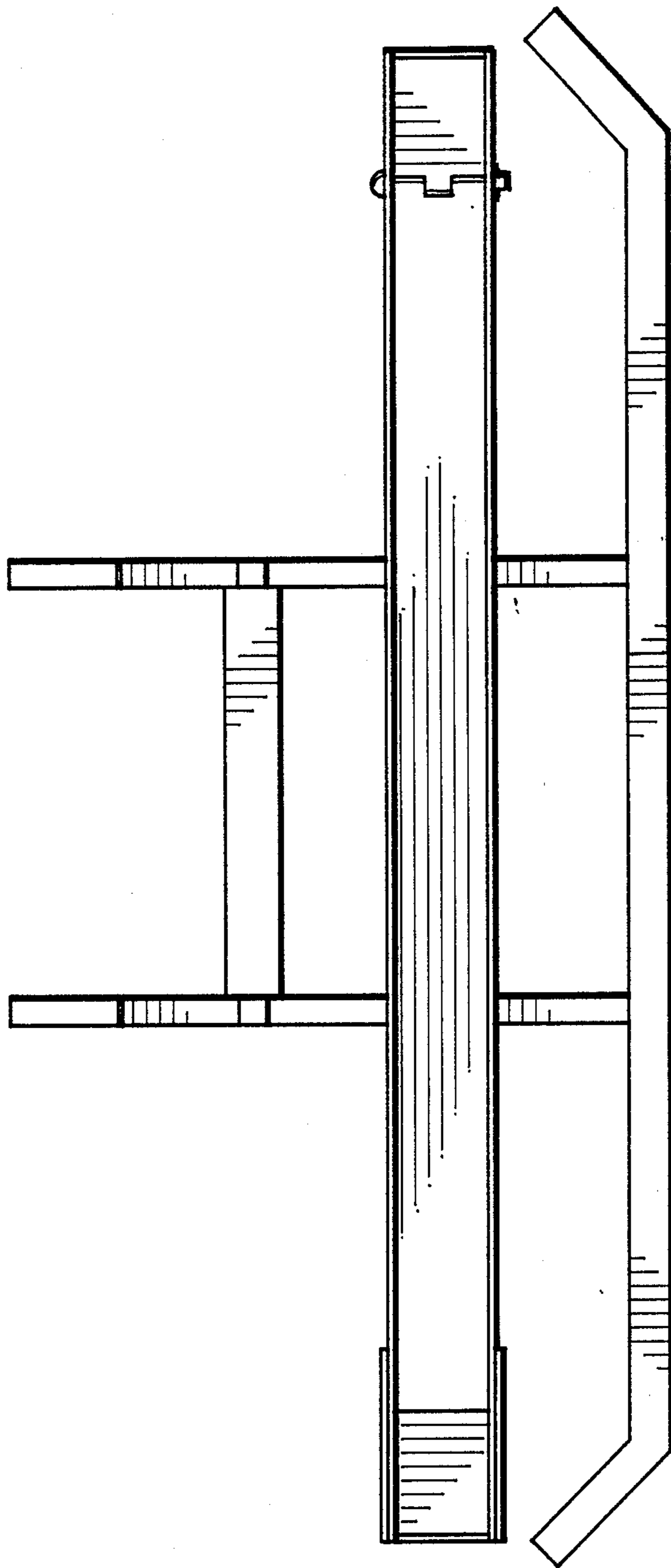


Fig. 5

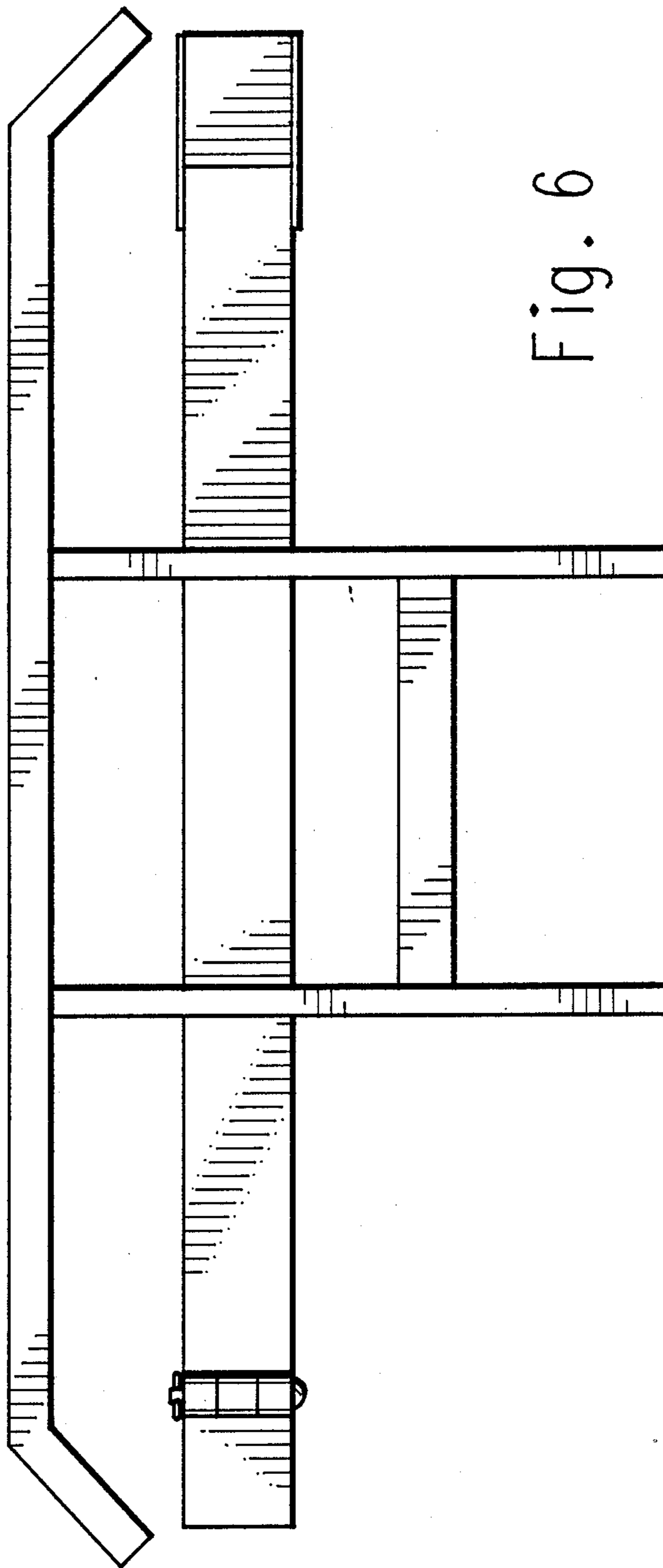


Fig. 6

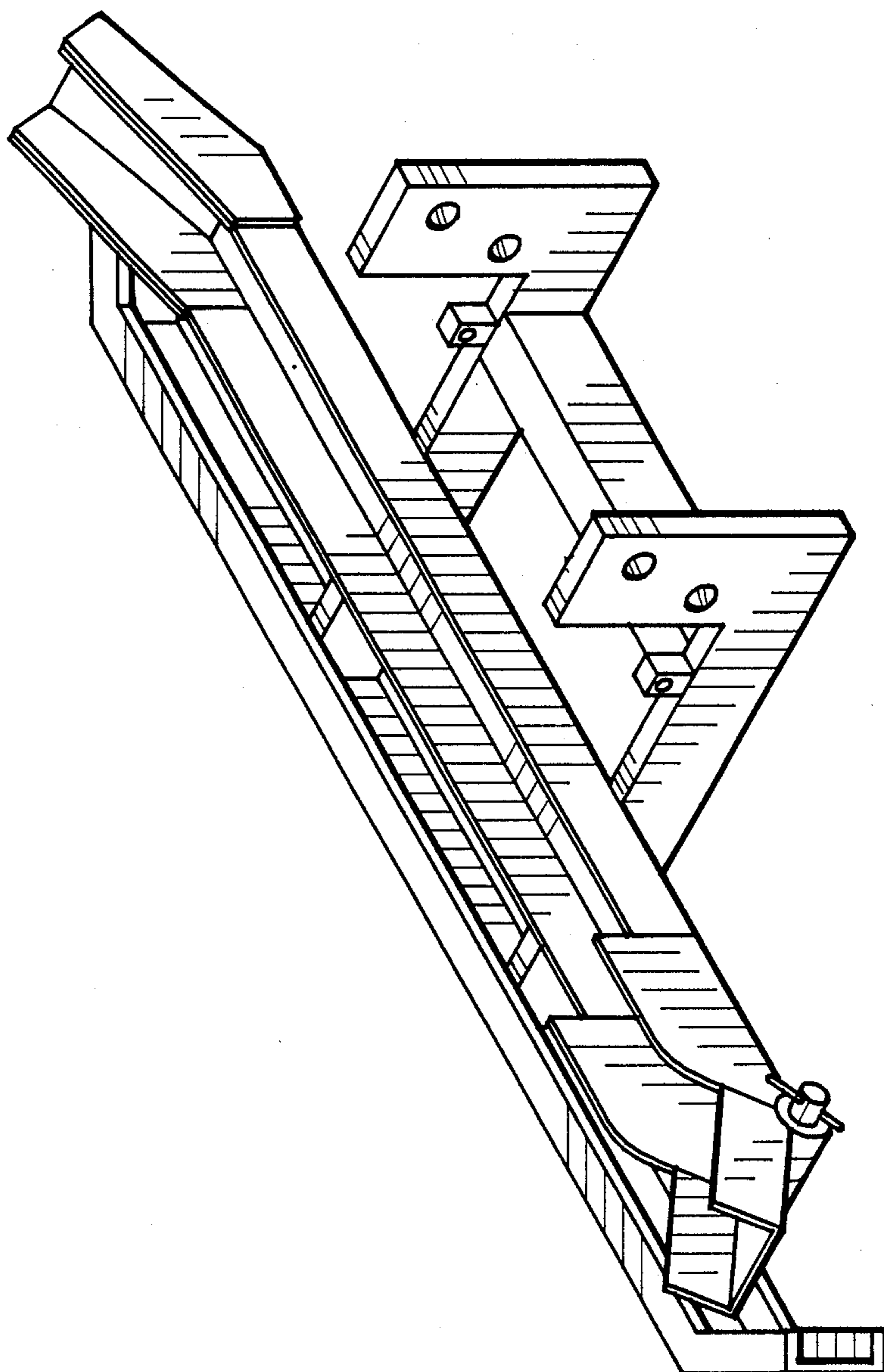


Fig. 7