

[54] TREE STAND

3,218,073 11/1965 Frost ..... 248/524

[76] Inventor: Barbara E. Pany, Rte. 12, Box 265, Asheboro, N.C. 27203

Primary Examiner—B. J. Bullock  
Assistant Examiner—Dominic Simone  
Attorney, Agent, or Firm—Jerry T. Kearns

[\*\*] Term: 14 Years

[21] Appl. No.: 209,796

[57] CLAIM

The ornamental design for a tree stand, as shown and described.

[22] Filed: Jun. 22, 1988

[52] U.S. Cl. .... D11/130.1

[58] Field of Search ..... D11/125, 128, 129, 130, D11/130.1; 248/519, 523-525, 527-529; 47/40.5; 428/7-9

DESCRIPTION

FIG. 1 is a front elevational view of a tree stand showing my new design;

FIG. 2 is a rear elevational view thereof;

FIG. 3 is a left side elevational view thereof;

FIG. 4 is a right side elevational view thereof;

FIG. 5 is a top plan view thereof;

FIG. 6 is a bottom plan view thereof; and,

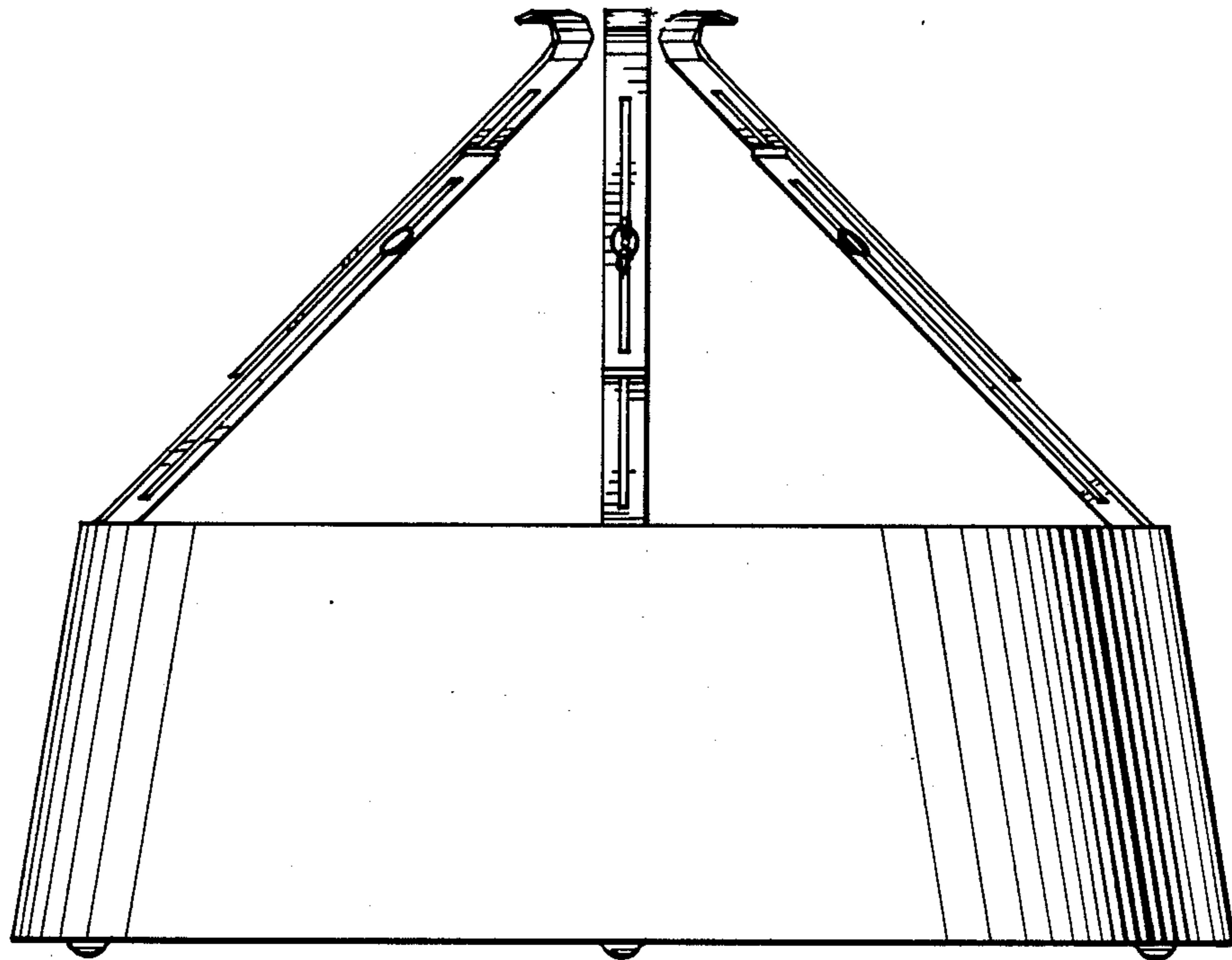
FIG. 7 is a cross-sectional view thereof taken in the direction of the arrows on line 7-7 of FIG. 5.

[56]

References Cited

U.S. PATENT DOCUMENTS

D. 161,404	1/1951	Abel et al. ....	D11/130.1
D. 177,698	5/1956	Scanland .....	D11/130.1
1,873,693	8/1932	Whitfield et al. ....	D11/130.1
2,891,747	6/1959	Steede .....	47/40.5



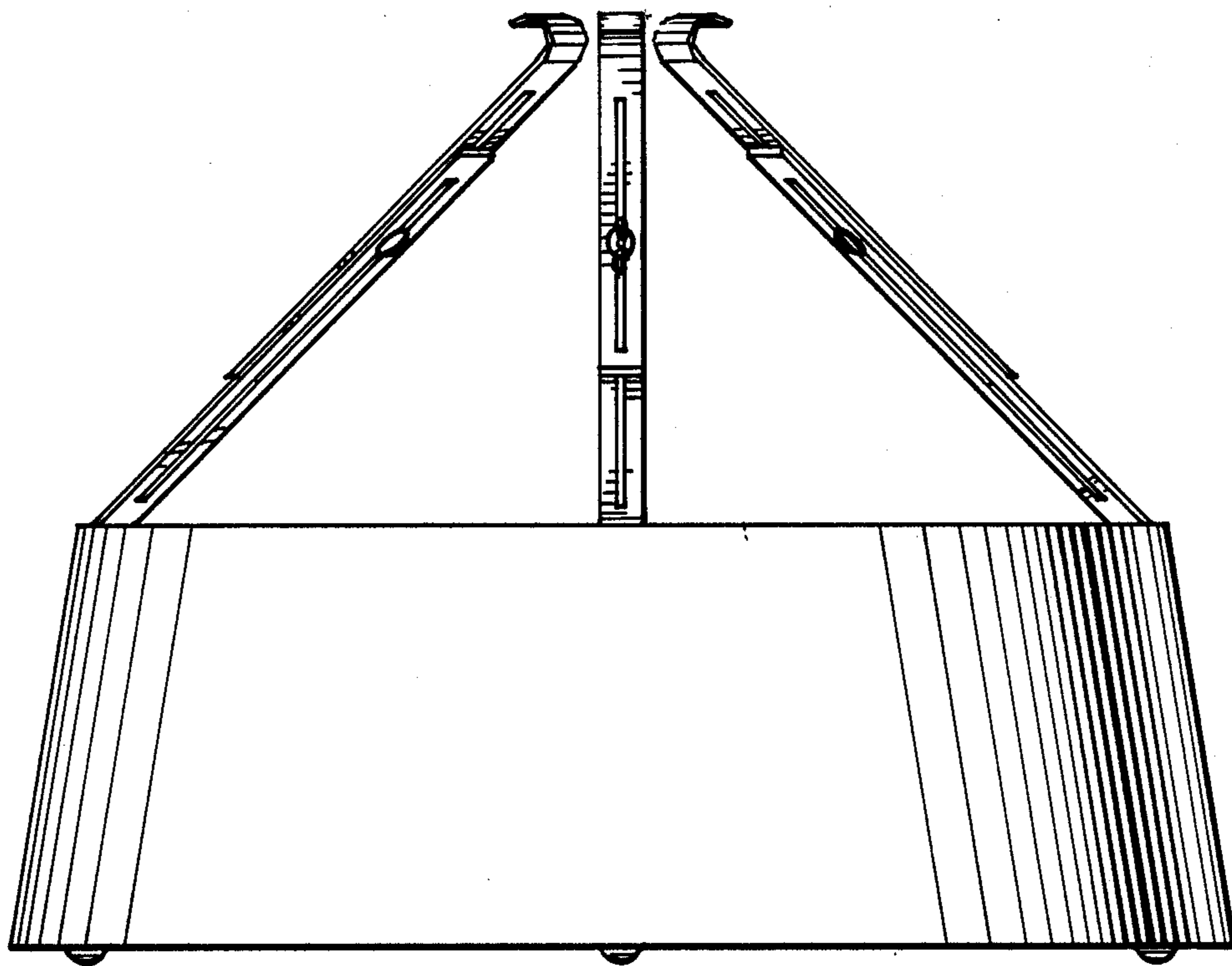


Fig. 1

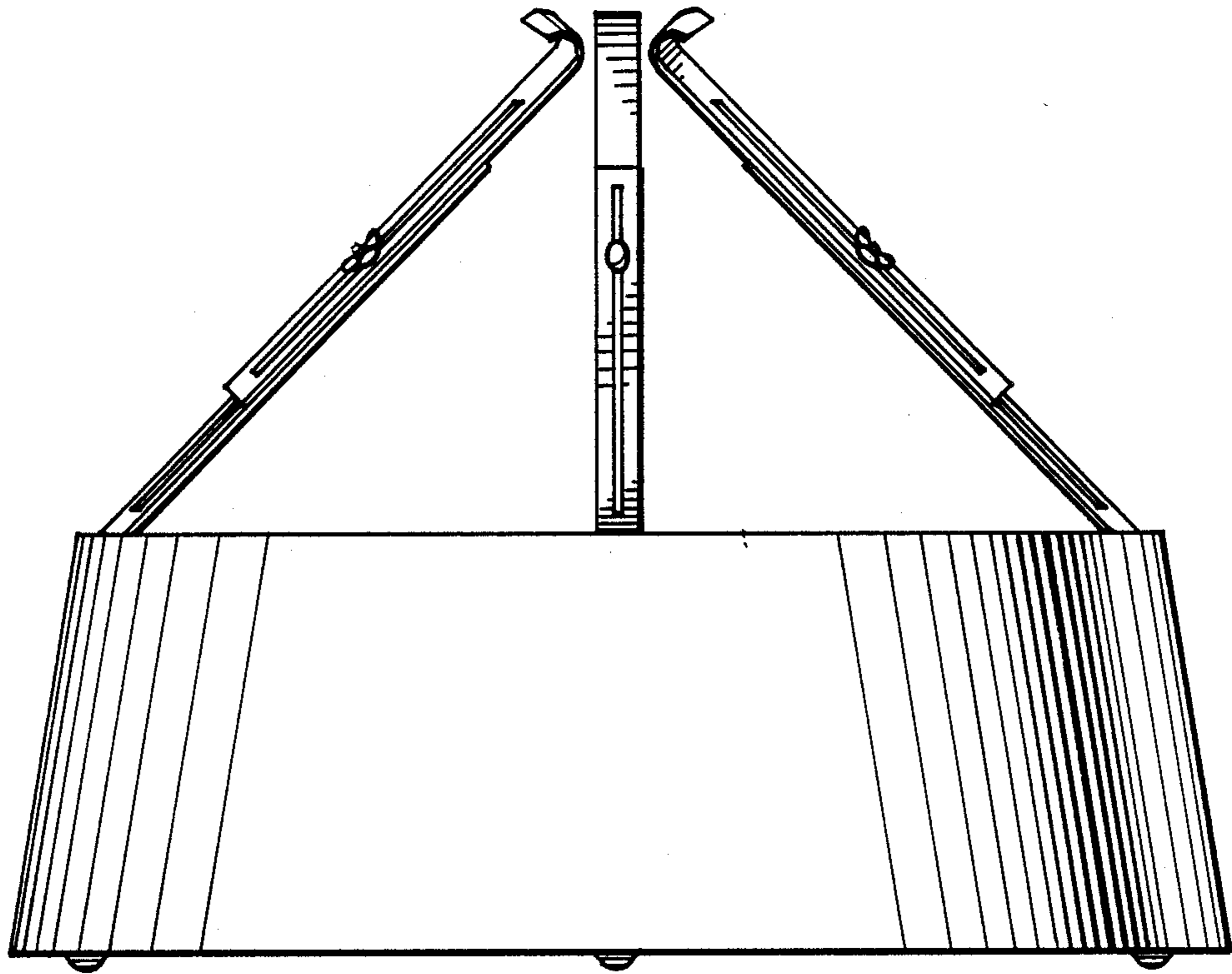


Fig. 2

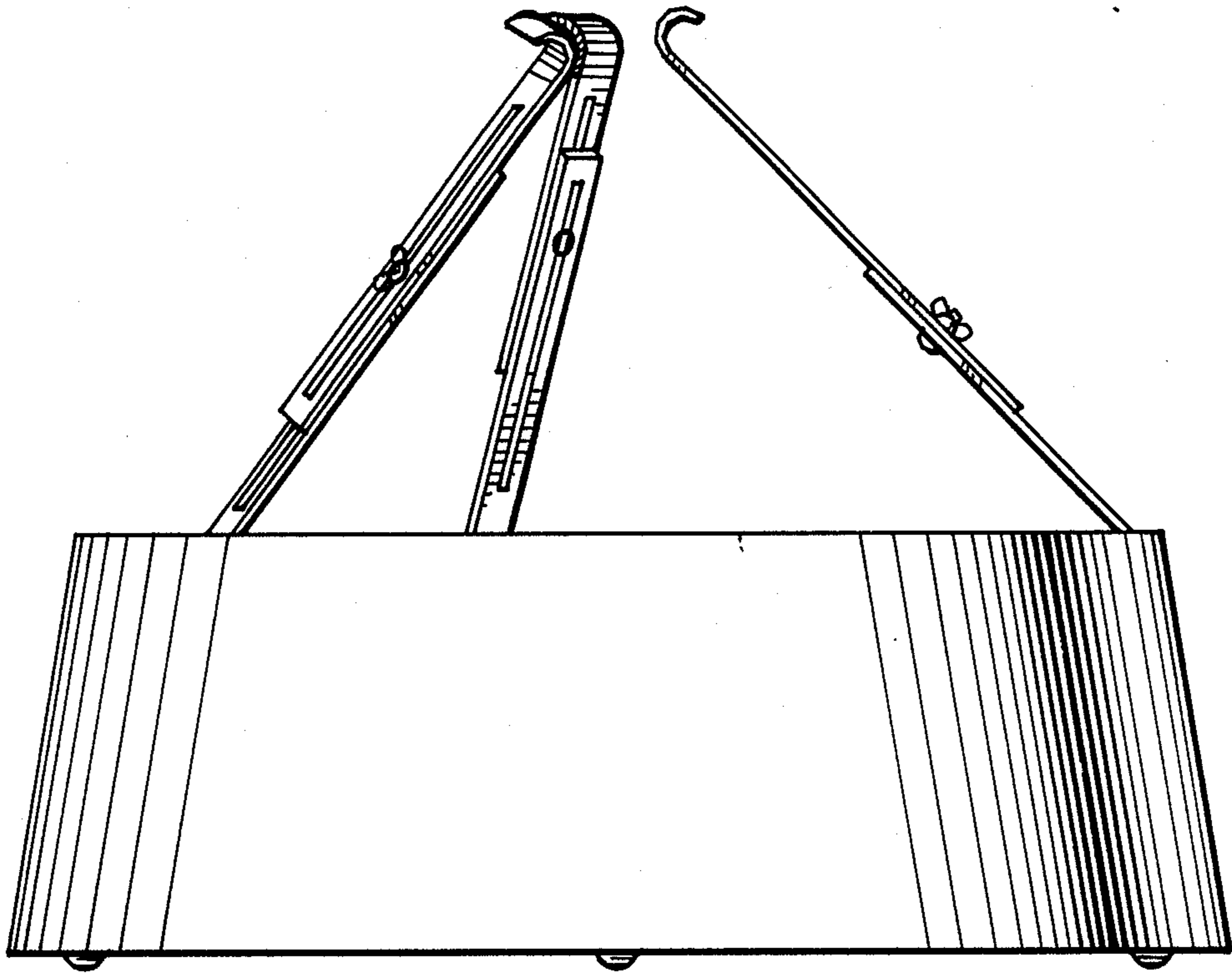


Fig. 3

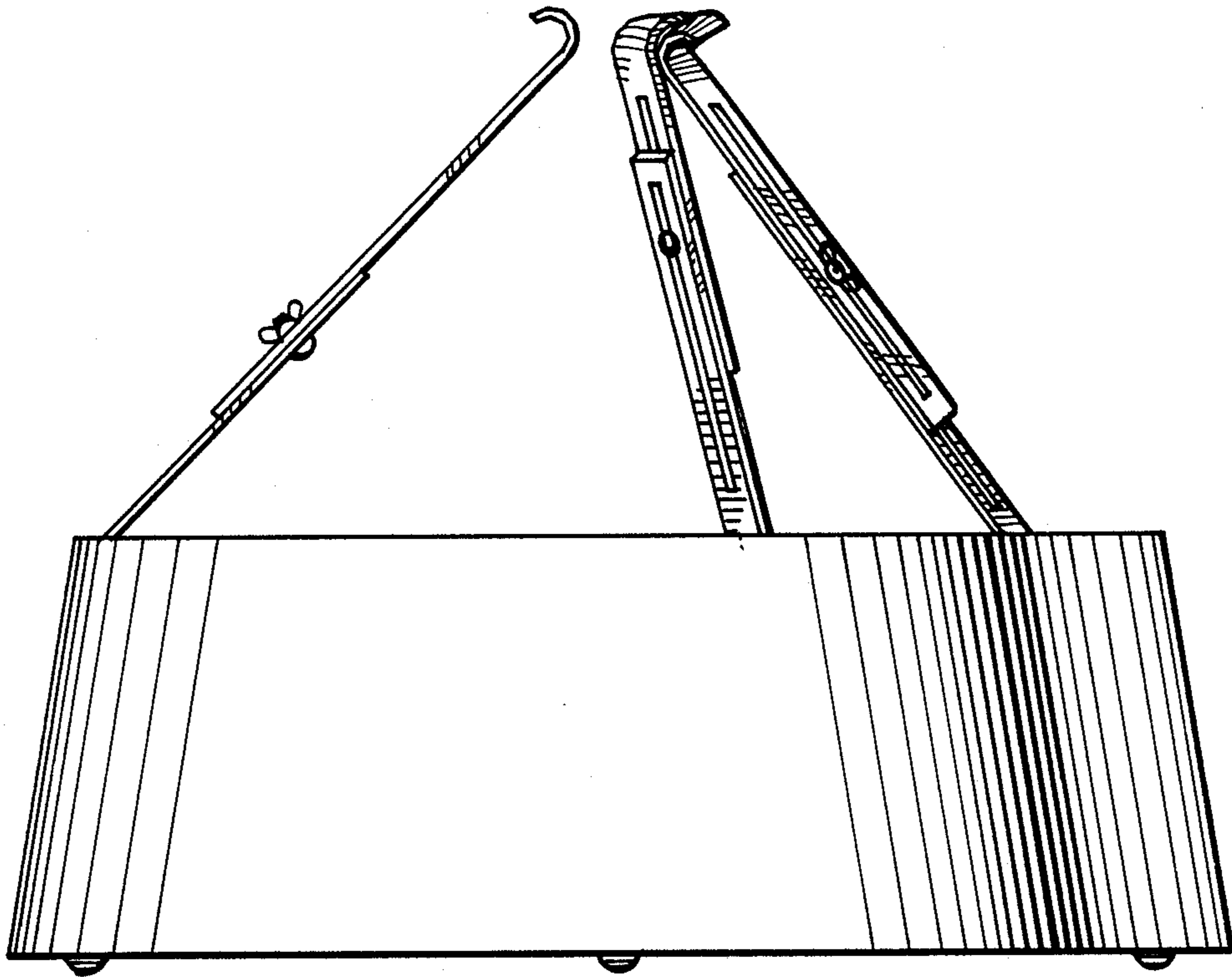
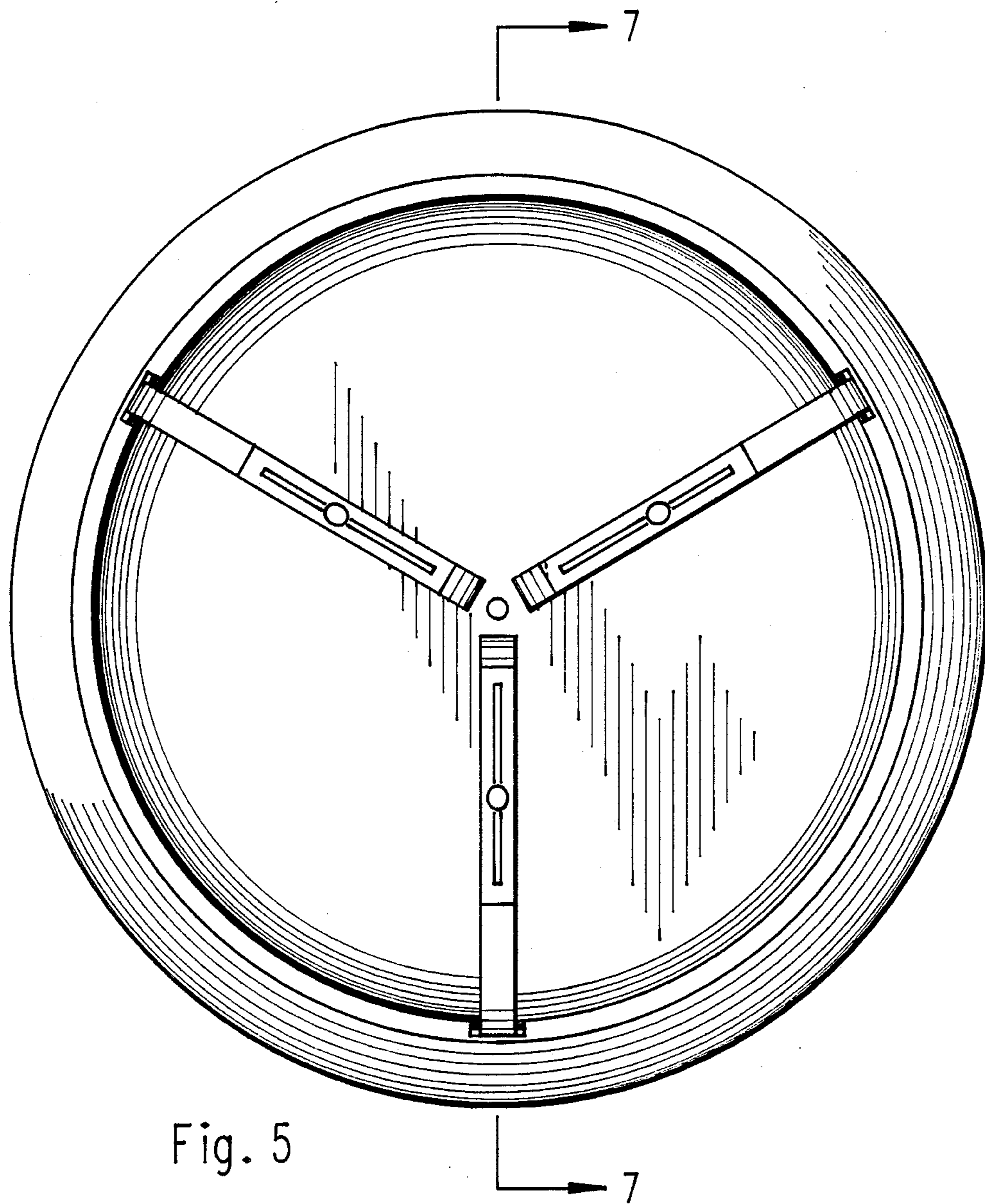


Fig. 4



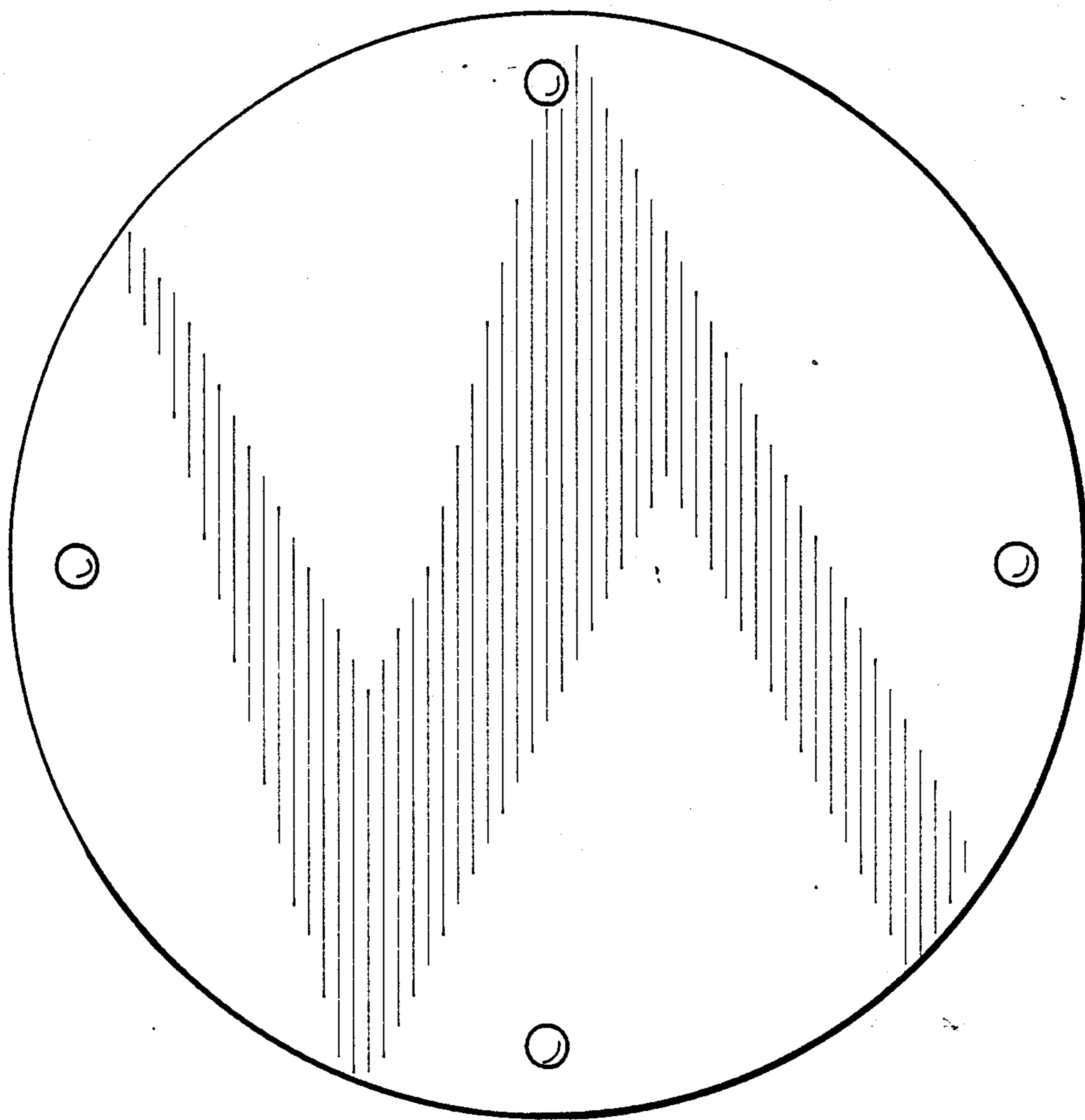


Fig. 6

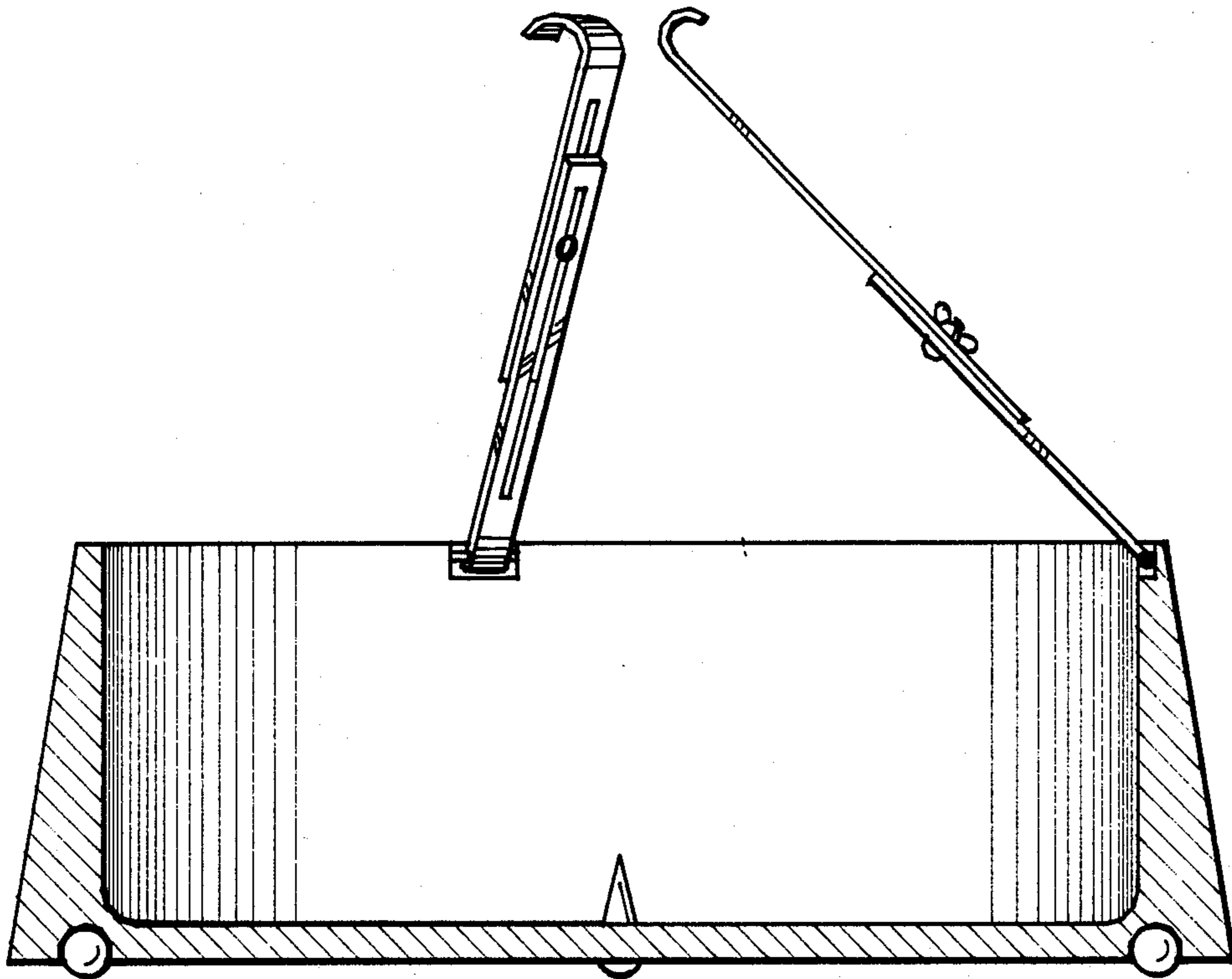


Fig. 7