

[54] **GOLF CALIBRATION MACHINE**

[76] Inventor: **Viktor Cukon**, 1902 Golden Circle Dr., Escondido, Calif. 92026

[\*\*] Term: **14 Years**

[21] Appl. No.: **894,037**

[22] Filed: **Aug. 7, 1986**

[52] U.S. Cl. .... **D10/46**

[58] Field of Search ..... **D10/46, 65; 33/508; 72/293; 273/32 R, 32 B**

[56] **References Cited**

**U.S. PATENT DOCUMENTS**

4,094,072 6/1978 Erb ..... 72/293

**FOREIGN PATENT DOCUMENTS**

0002626 1/1977 Japan ..... 33/508

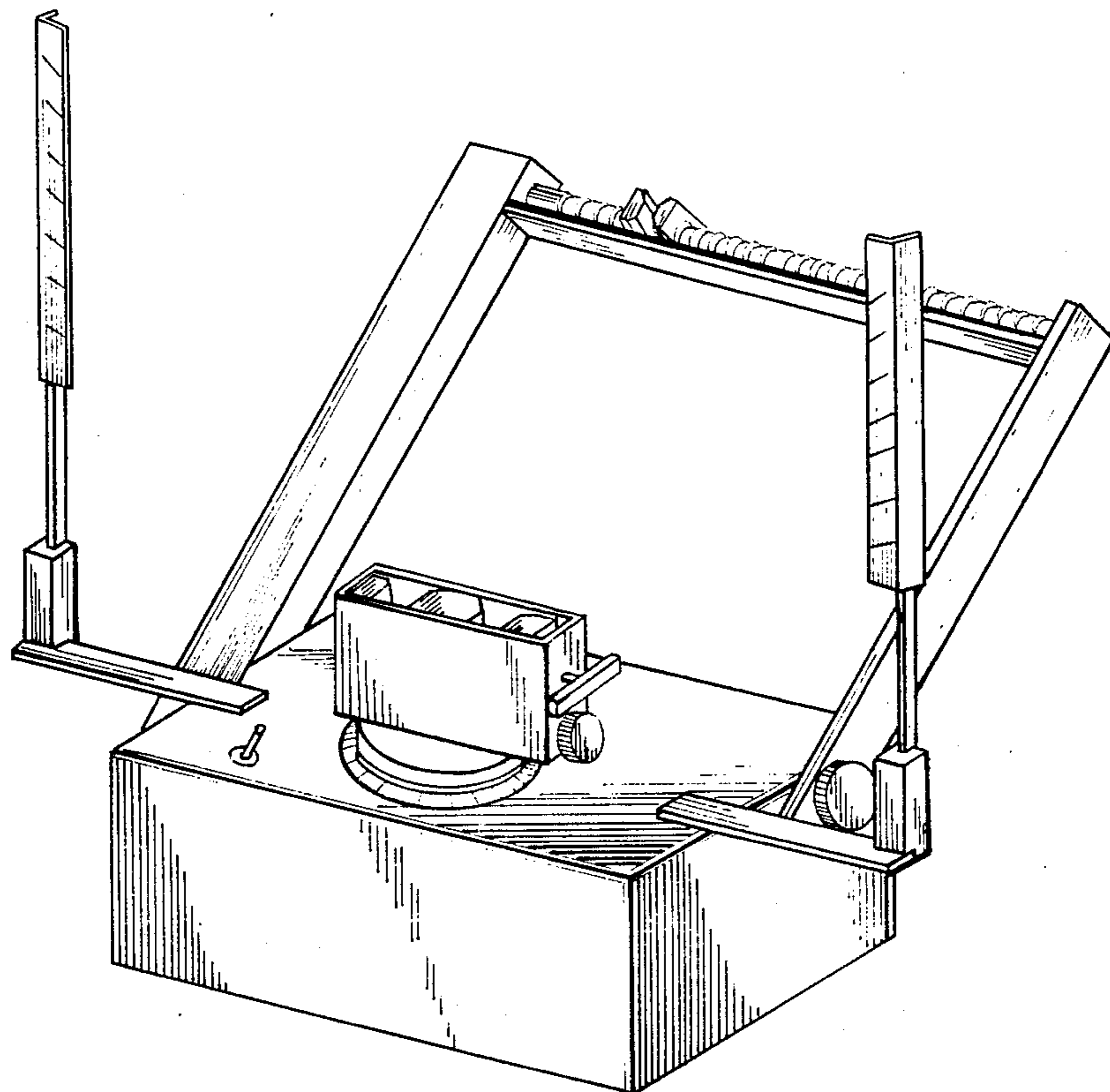
*Primary Examiner*—James R. Largen  
*Assistant Examiner*—Caron D. Veynar  
*Attorney, Agent, or Firm*—Lewis E. Massie

[57] **CLAIM**

The ornamental design for an golf calibration machine, as shown and described.

**DESCRIPTION**

FIG. 1 is a front perspective view of a golf calibration machine showing my new design;  
FIG. 2 is a top plan view thereof;  
FIG. 3 is a front elevational view thereof;  
FIG. 4 is a left side elevational view thereof;  
FIG. 5 is a right side elevational view thereof;  
FIG. 6 is a rear elevational view thereof.



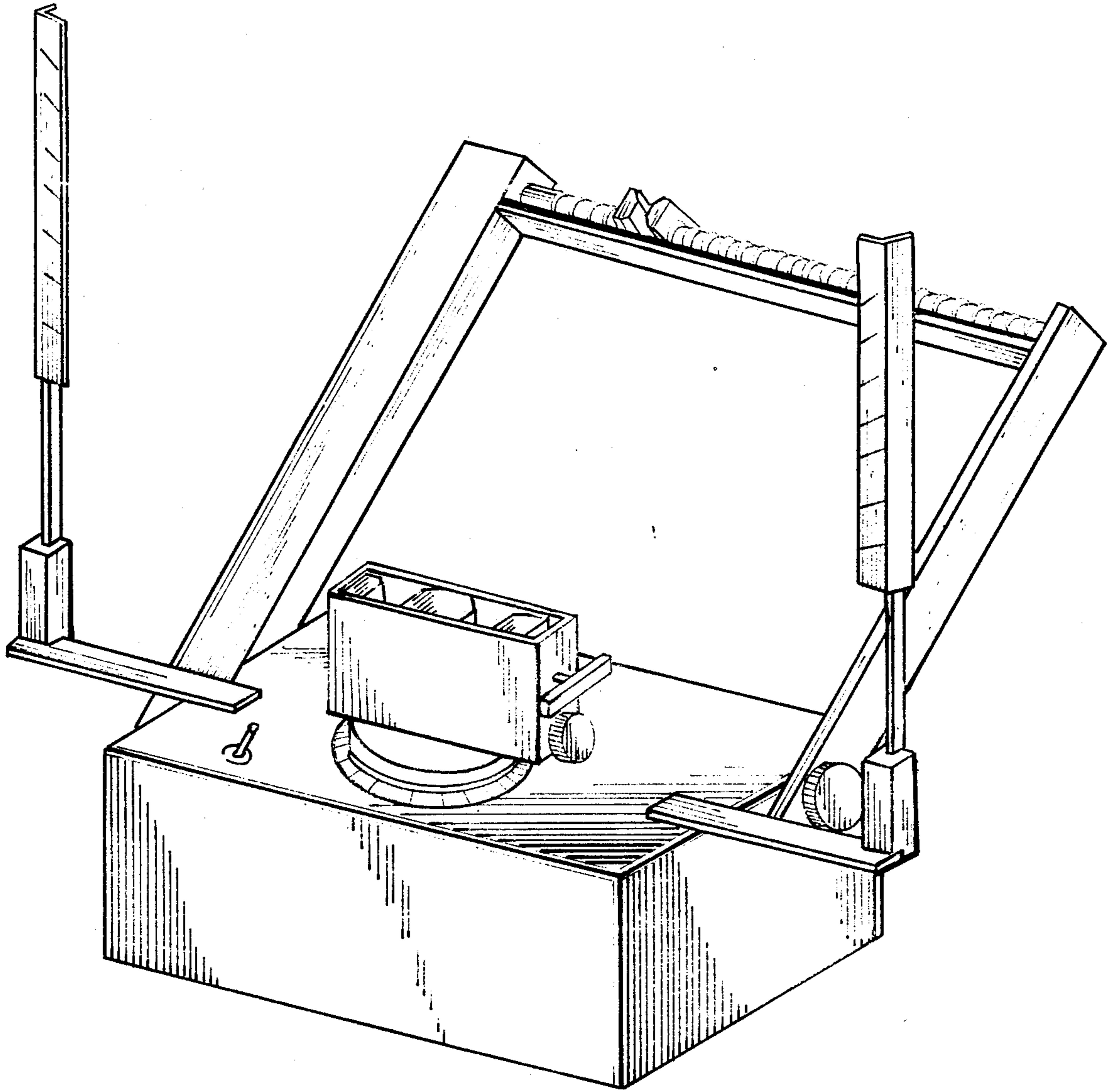


FIG. 1

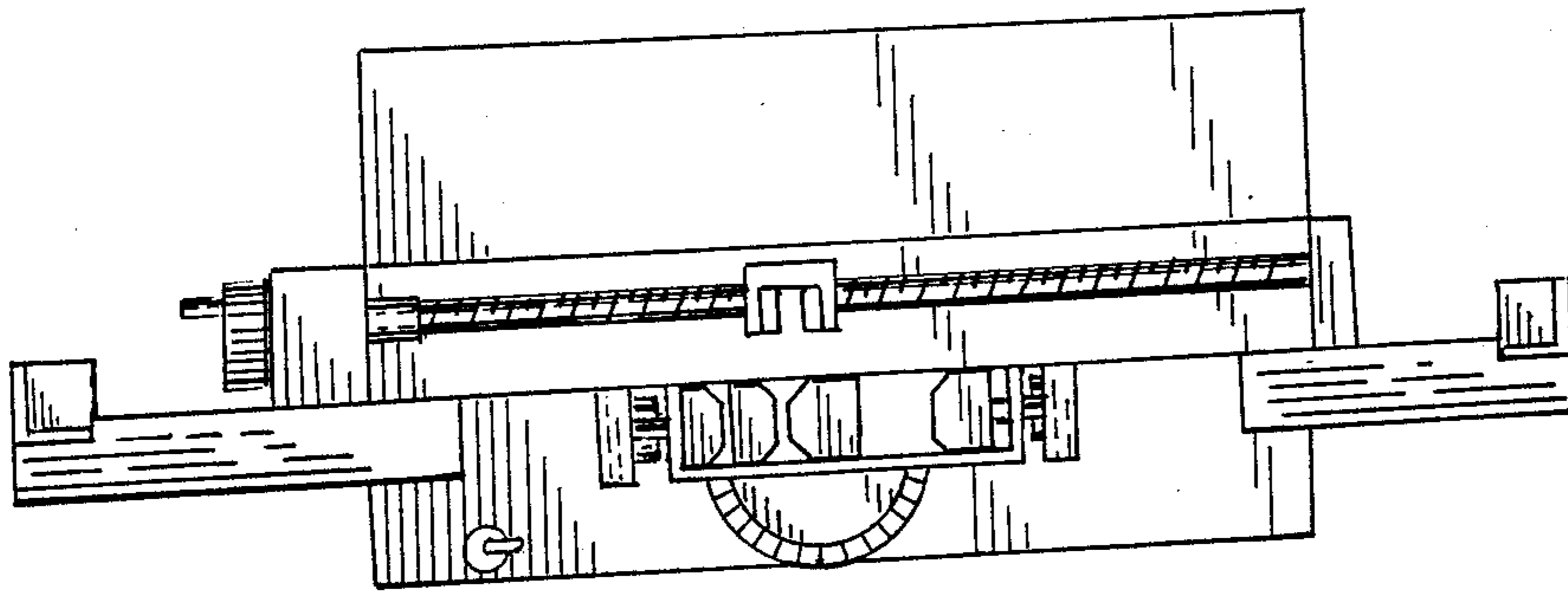


FIG. 2

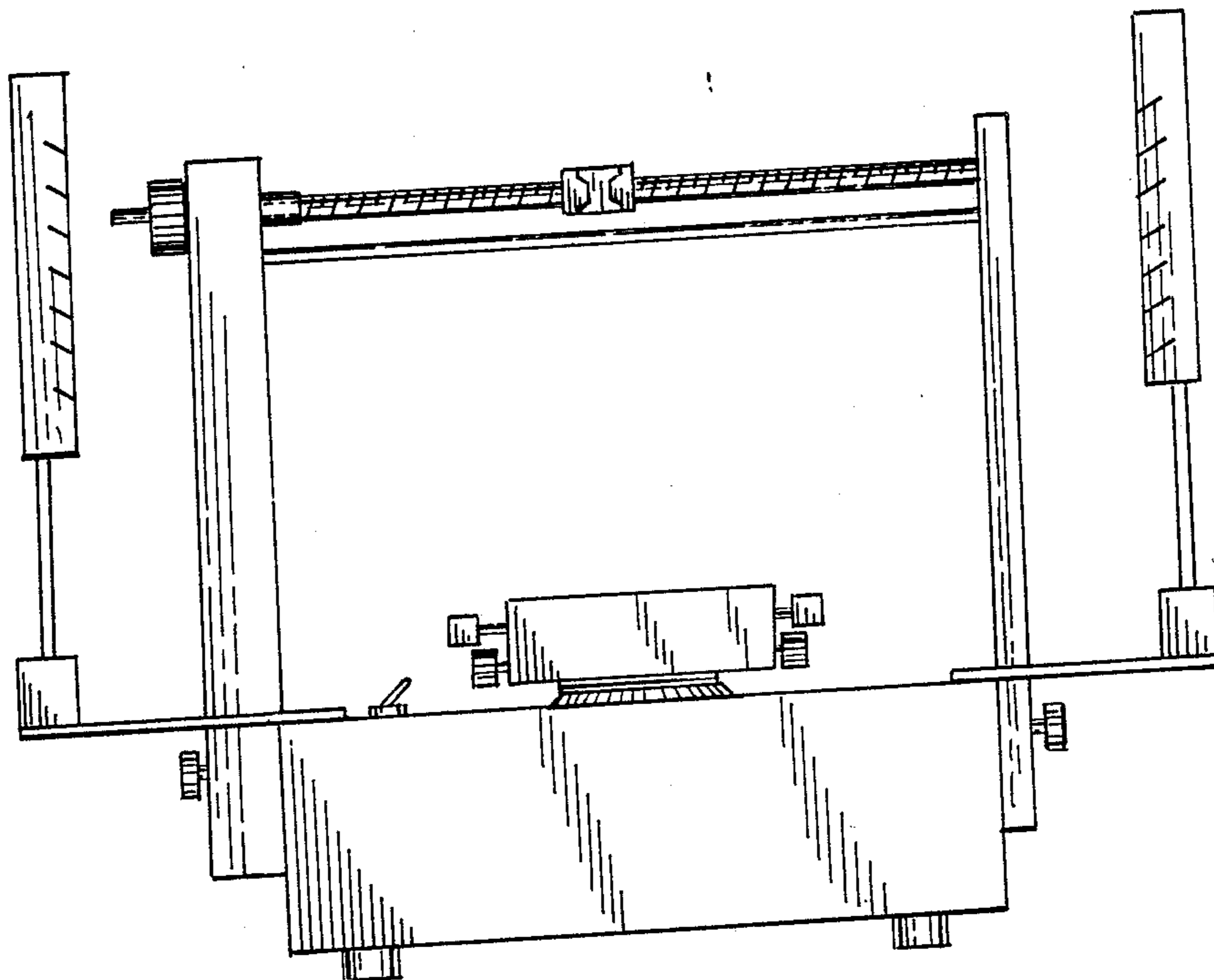


FIG. 3

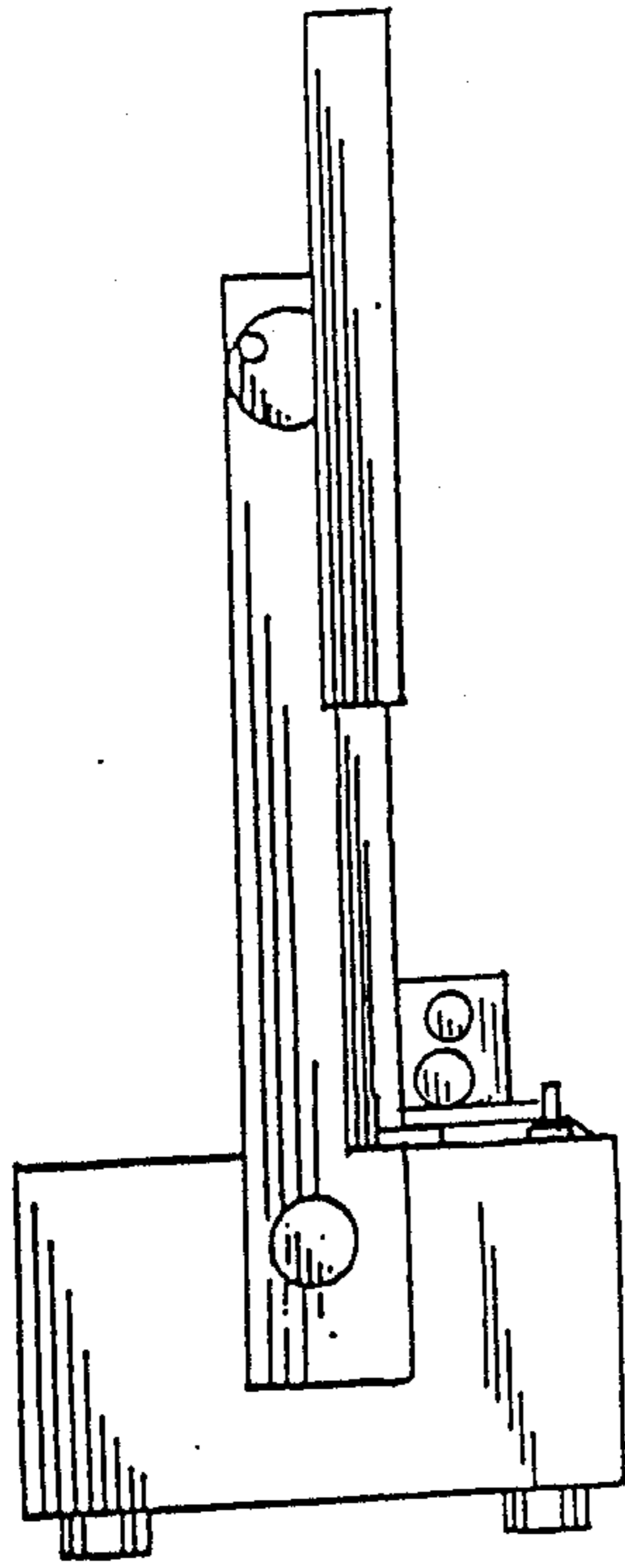


FIG. 4

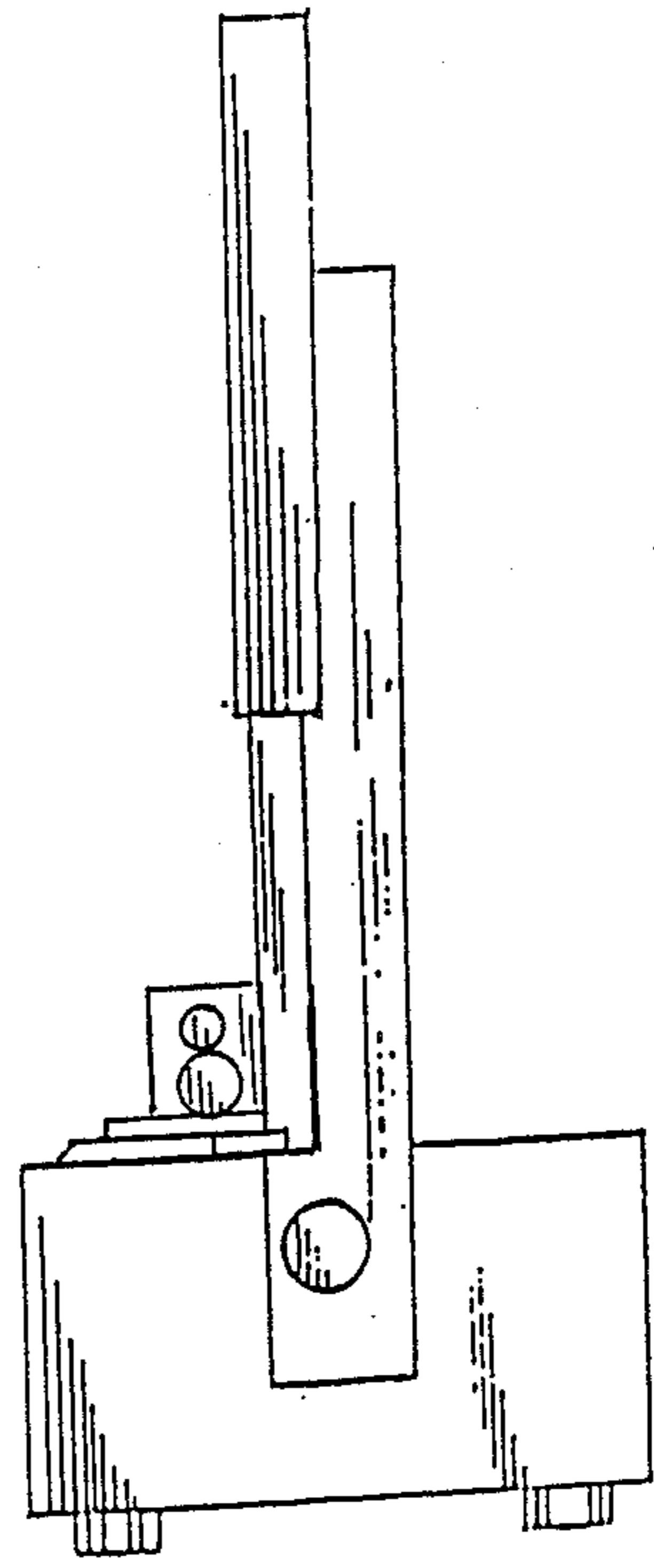


FIG. 5

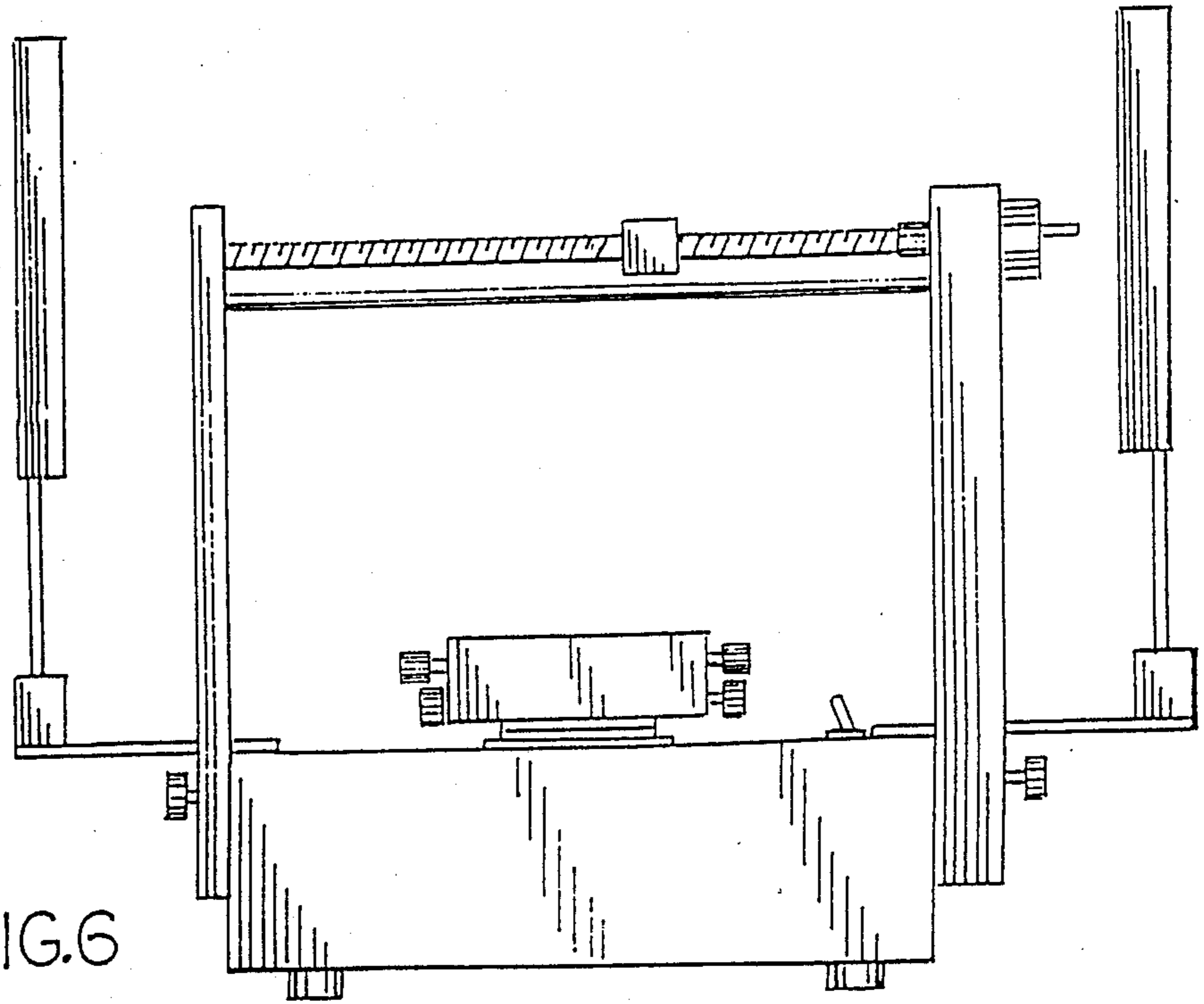


FIG. 6