

United States Patent [19]

Waterman

[11] Patent Number: **Des. 306,977**

[45] Date of Patent: **** Apr. 3, 1990**

[54] **BOTTLE**

[75] Inventor: **Theodore V. Waterman, Milford, N.H.**

[73] Assignee: **Pearson & Pearson, Lowell, Mass.**

[**] Term: **14 Years**

[21] Appl. No.: **911,312**

[22] Filed: **Sep. 24, 1986**

[52] U.S. Cl. **D9/403; D9/370**

[58] Field of Search **D9/403-413, D9/370, 401, 400, 367, 384, 386, 389, 391, 396; 215/1 R, 1 C**

D. 286,025 10/1986 Murukurthy D9/405
D. 291,658 9/1987 Kletle et al. D9/405 X
D. 297,814 9/1988 Gatten D9/405

OTHER PUBLICATIONS

Owens Illinois Glass Company Catalogue, 1931, p. 140, bottle far left, item A-1226.

Primary Examiner—Melvin B. Feifer
Assistant Examiner—Lucy Lieberman

[57] CLAIM

The ornamental design for a bottle, as shown and described.

DESCRIPTION

FIG. 1 is a bottom perspective view of a bottle showing my new design;

FIG. 2 is a front elevation, the rear elevation being a mirror image thereof;

FIG. 3 is a side elevation thereof;

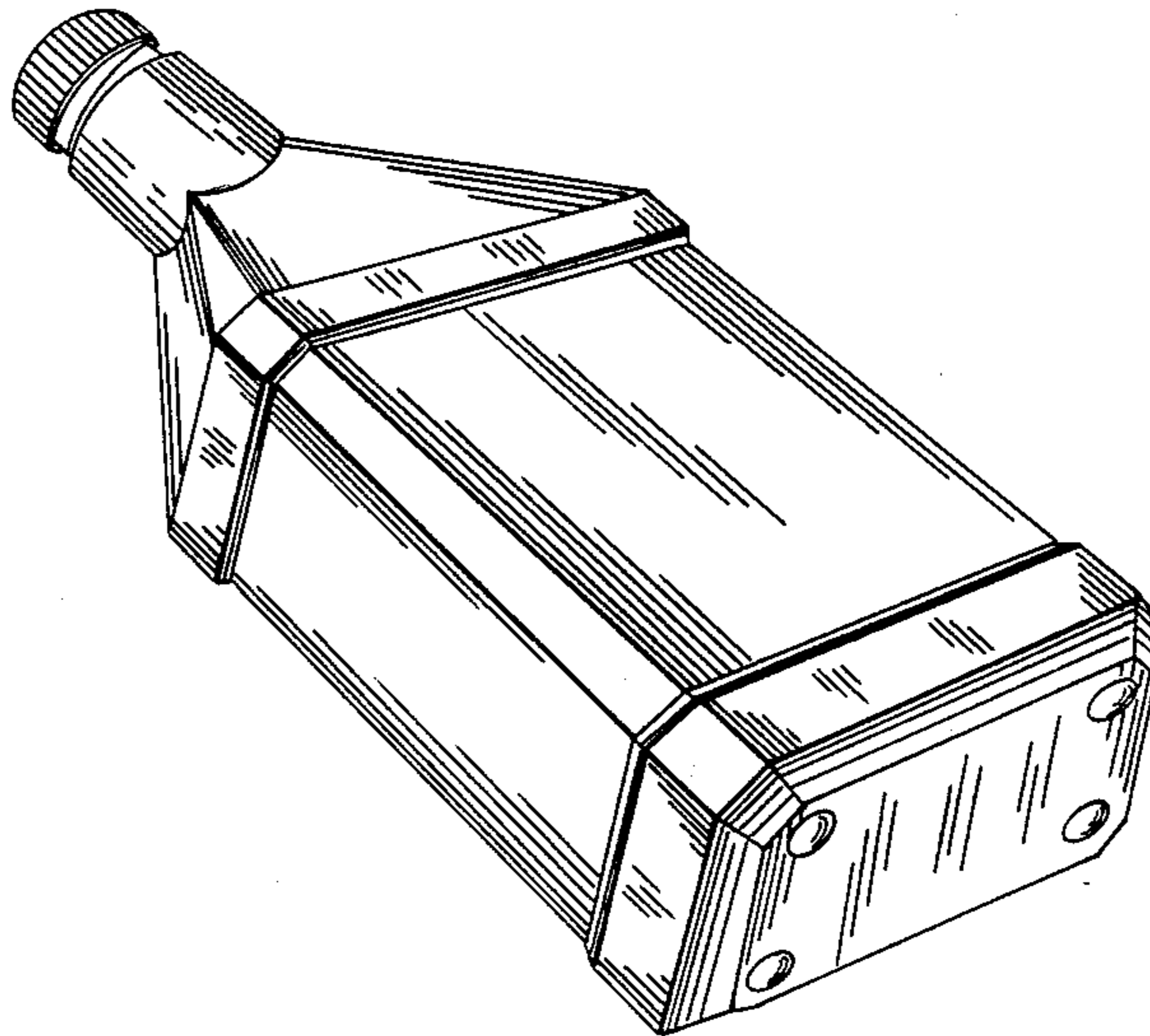
FIG. 4 is a top plan view thereof; and

FIG. 5 is a bottom plan view thereof.

[56] References Cited

U.S. PATENT DOCUMENTS

D. 25,402 4/1896 Nelson D9/412
D. 32,027 12/1899 Kronkosky D9/408
D. 81,679 7/1930 Webber D9/407
D. 229,746 1/1974 McPhee D9/370
D. 277,362 1/1985 Epperson D9/405 X



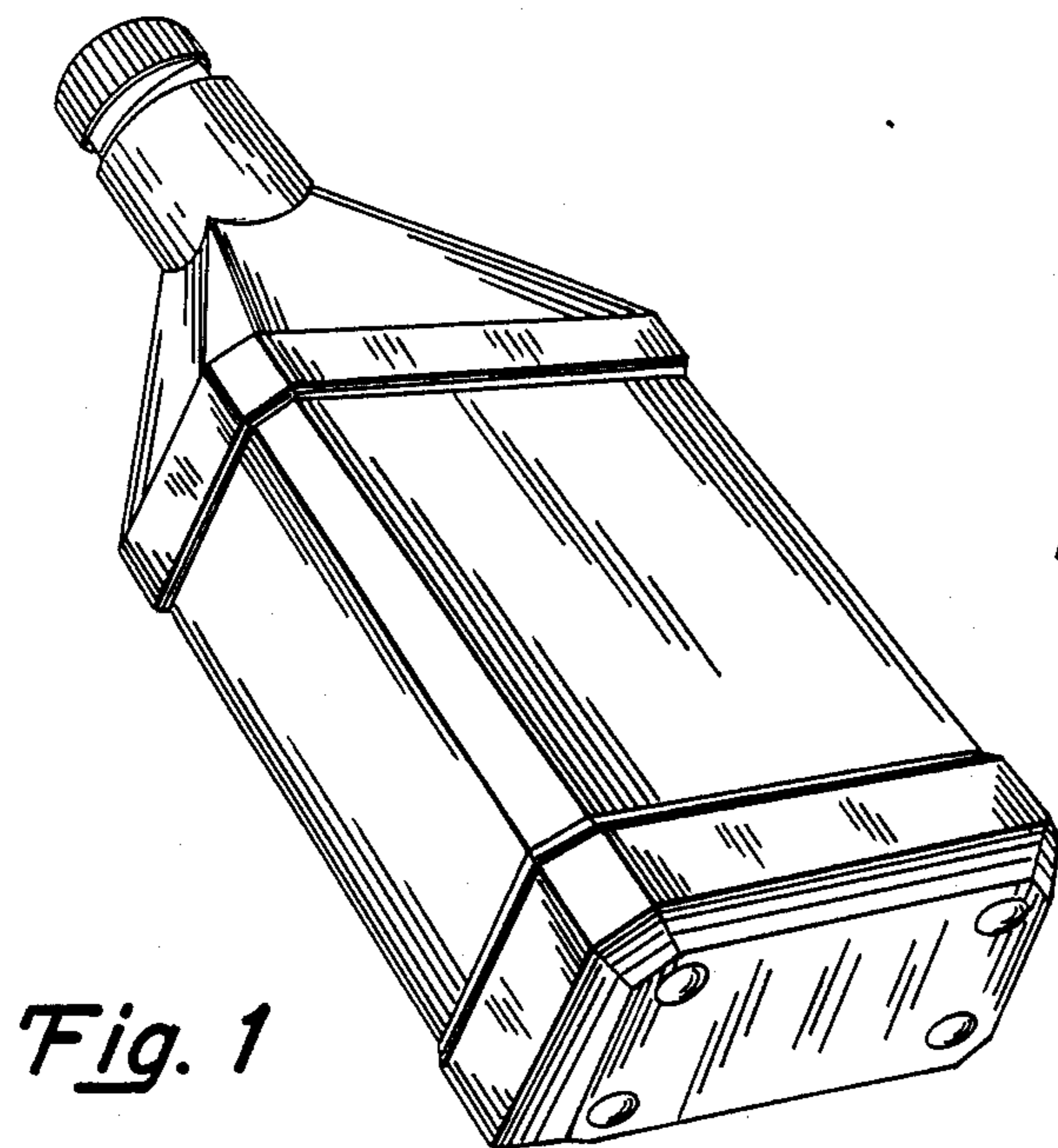


Fig. 1

Fig. 4

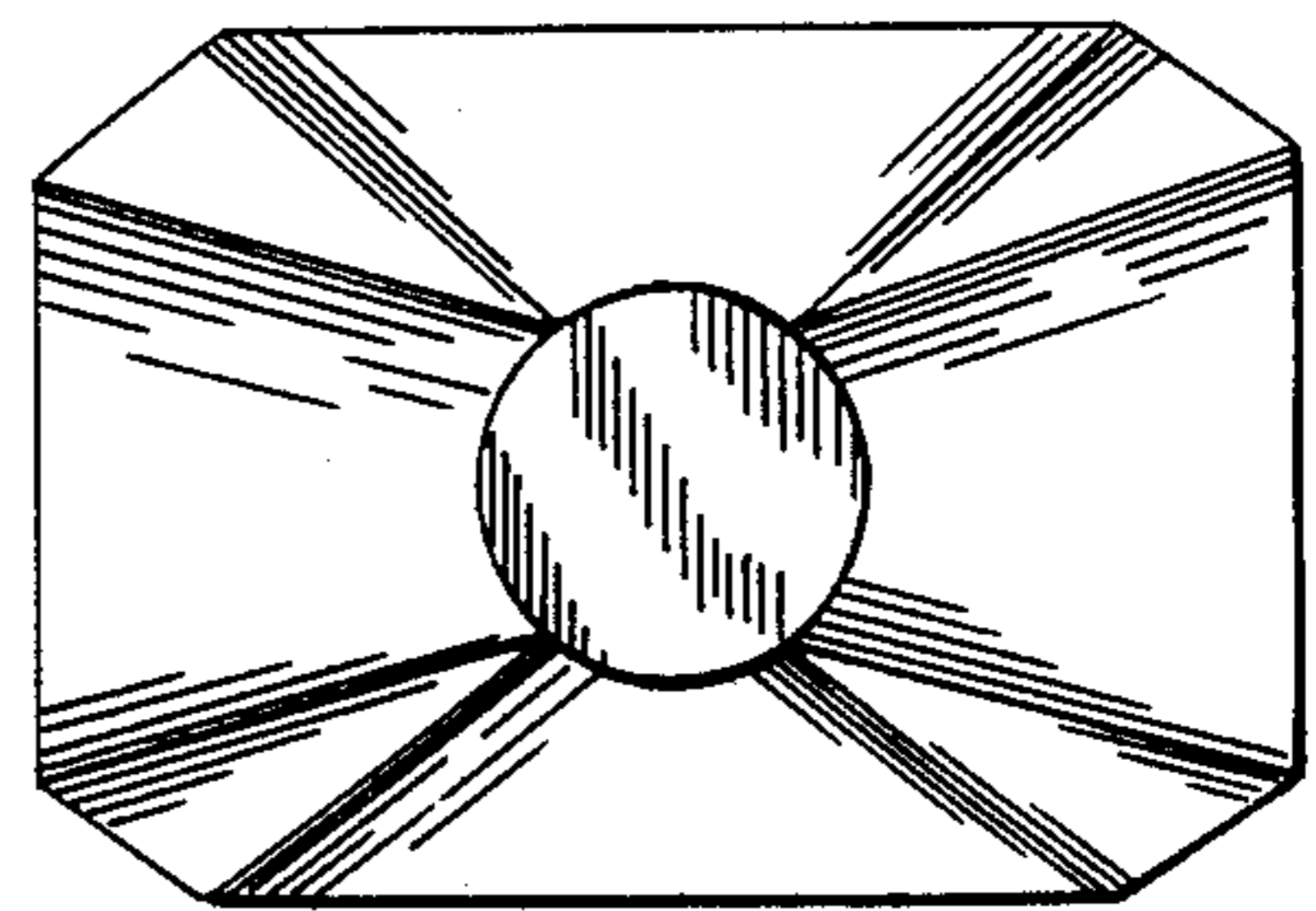


Fig. 5

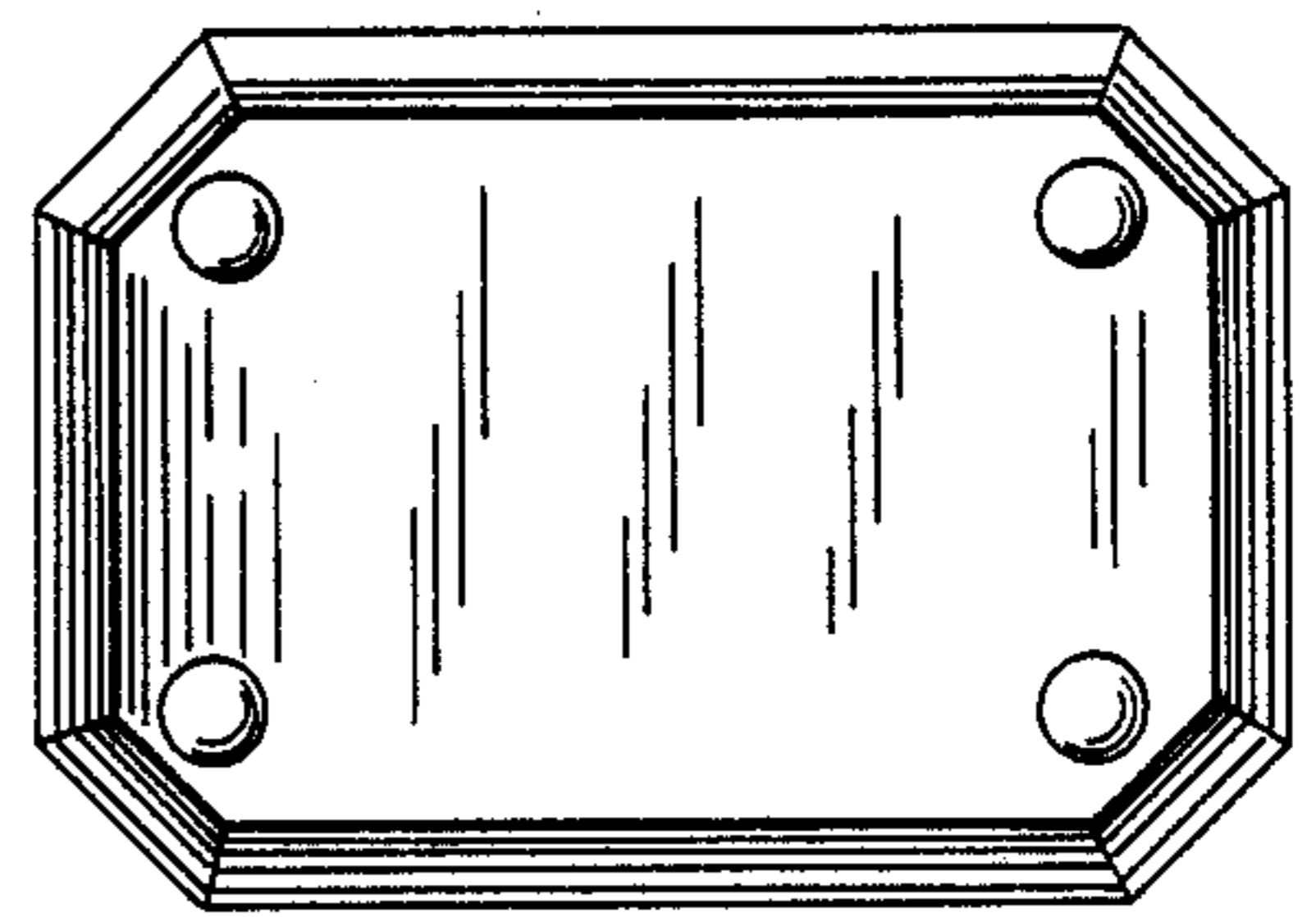


Fig. 2

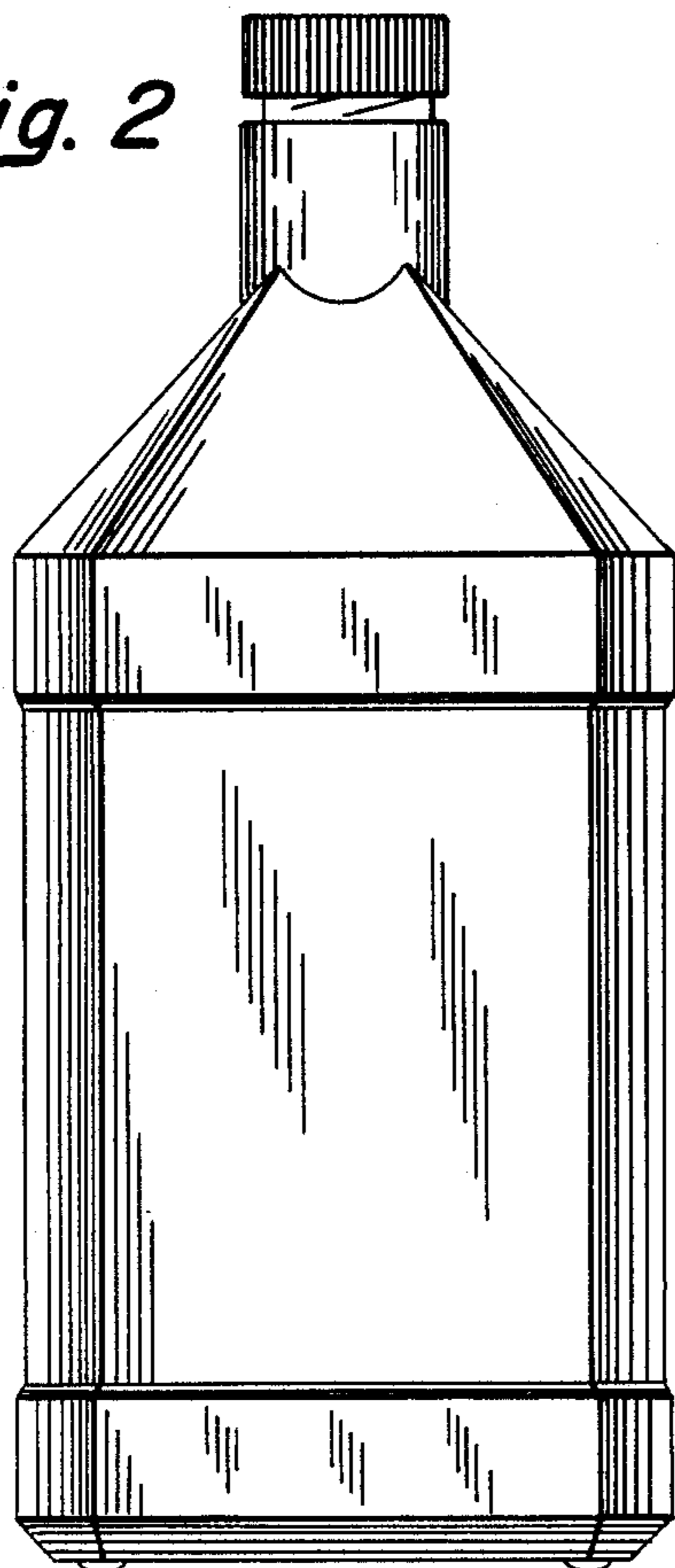


Fig. 3

