

[54] CONCRETE FINISHING SCREED BAR

[76] Inventor: Donald R. Morrison, 6228 Eagle Peak Dr., Charlotte, N.C. 28214

[**] Term: 14 Years

[21] Appl. No.: 3,913

[22] Filed: Jan. 16, 1987

[52] U.S. Cl. D8/45

[58] Field of Search D8/14, 45, 16; 15/235.3, 235.4, 235.6, 235.7, 235.8; 425/458, 469, 456, 385; 404/118-120

[56] References Cited

U.S. PATENT DOCUMENTS

706,514	8/1902	Benninghofen	15/235.3
3,451,179	6/1969	Kendzia	D8/16 X
4,349,328	9/1982	Allen	425/458
4,701,071	10/1987	Morrison	425/458

FOREIGN PATENT DOCUMENTS

2421251	11/1979	France	15/235.4
---------	---------	--------	----------

OTHER PUBLICATIONS

Product literature, Morrison's "Introducing . . . the

Ultralyte™ Screed from Morrison's", undated but received by attorney of record in Nov., 1986.

Morrison's Concrete & Equipment, Inc., 9827 Mt. Holly Road, Route 6, Box 634 Charlotte, North Carolina 28208.

Ser. No. 3,746, Donald R. Morrison, filed 1/16/87.

Ser. No. 888,522, Donald R. Morrison, filed 7/23/86.

Primary Examiner—Nelson C. Holtje

Assistant Examiner—Clare E. Heflin

Attorney, Agent, or Firm—Olive & Olive

[57] CLAIM

The ornamental design for a concrete finishing screed bar, as shown and described.

DESCRIPTION

FIG. 1 is a perspective view of a concrete finishing screed bar showing my new design, the bar being shown broken away to depict indeterminate length;

FIG. 2 is a front elevational view thereof;

FIG. 3 is a side elevational view thereof, the opposite side being identical;

FIG. 4 is a top plan view thereof and;

FIG. 5 is a bottom plan view thereof.

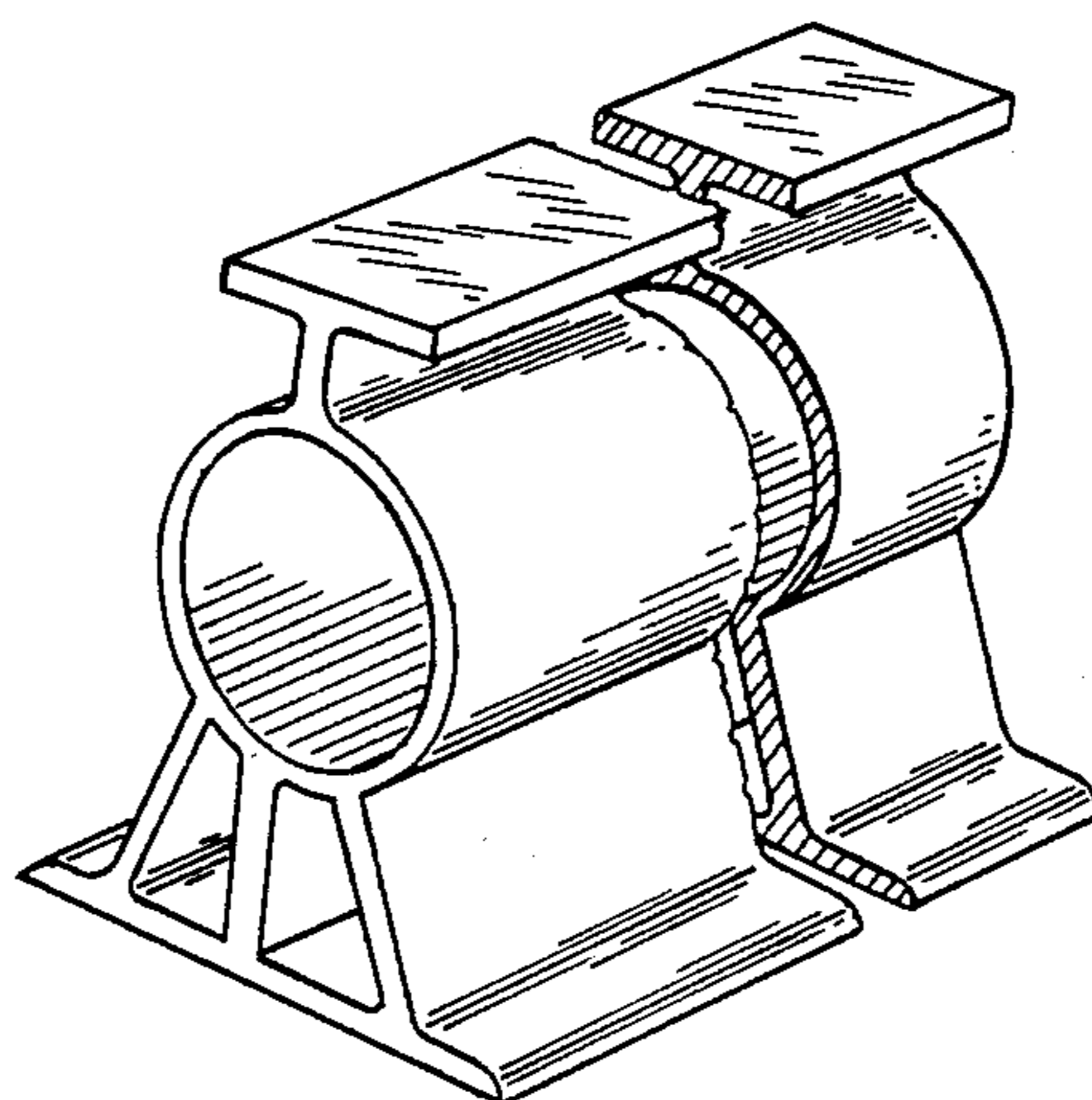


FIG. 2

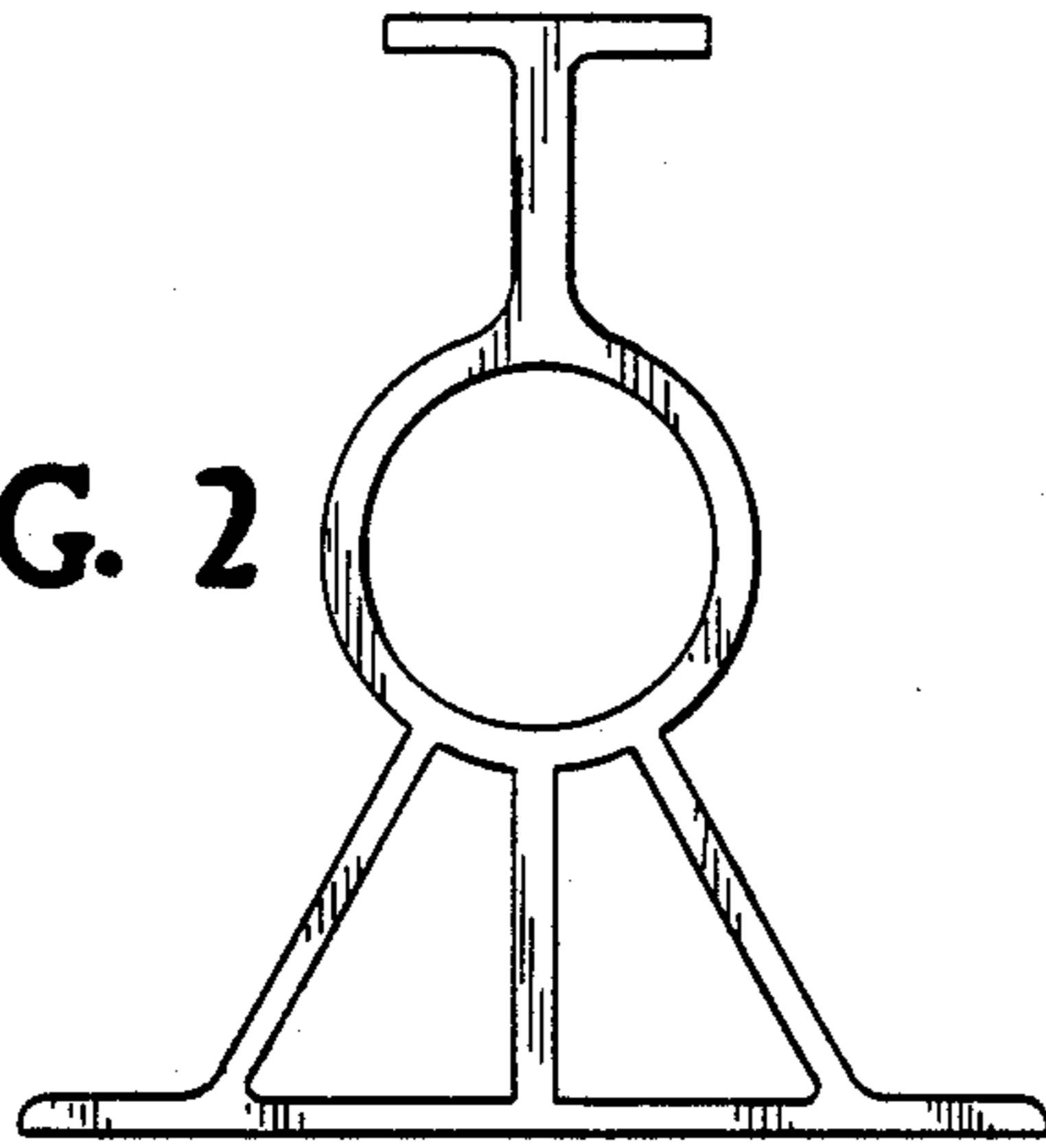


FIG. 3

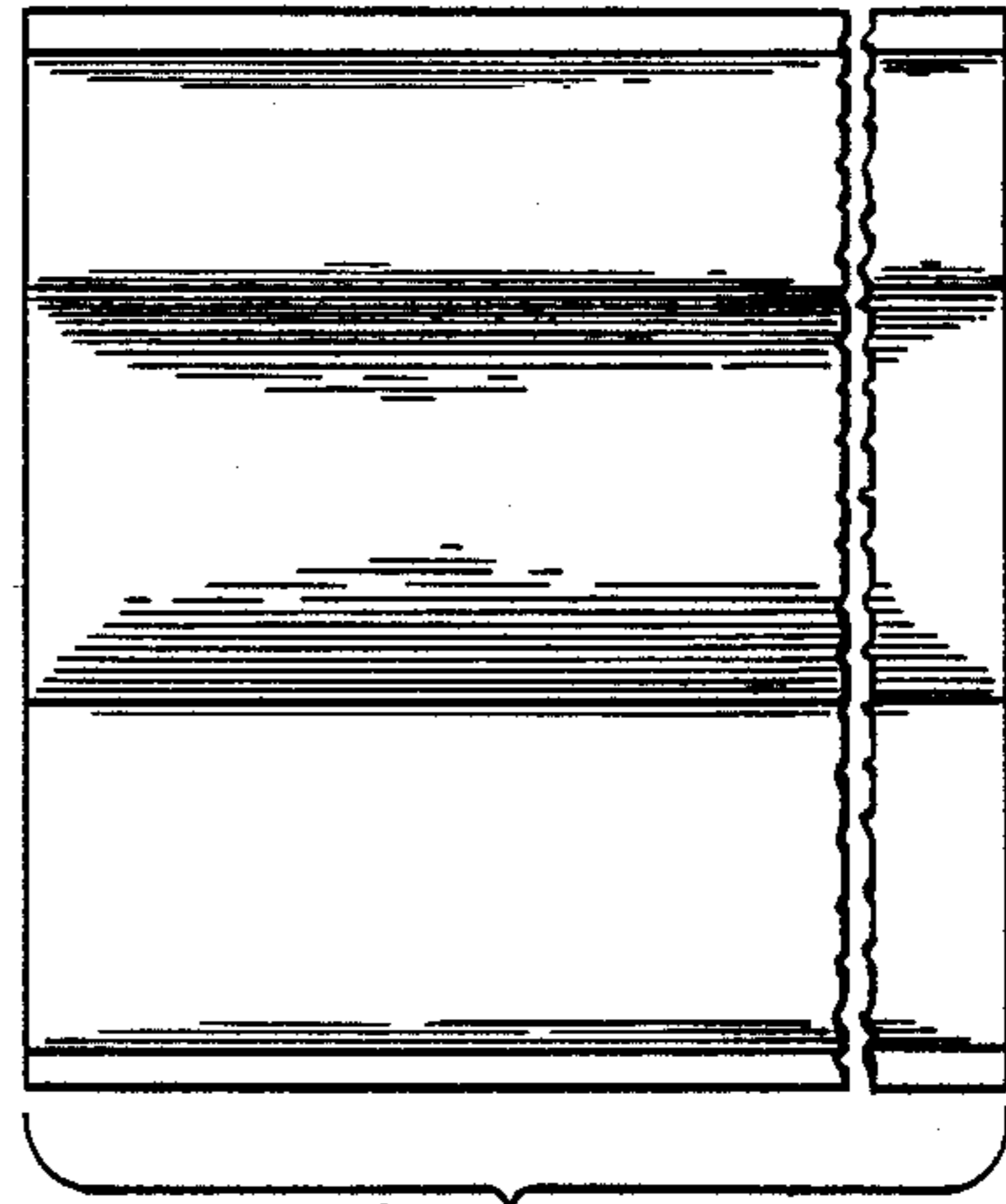


FIG. 4

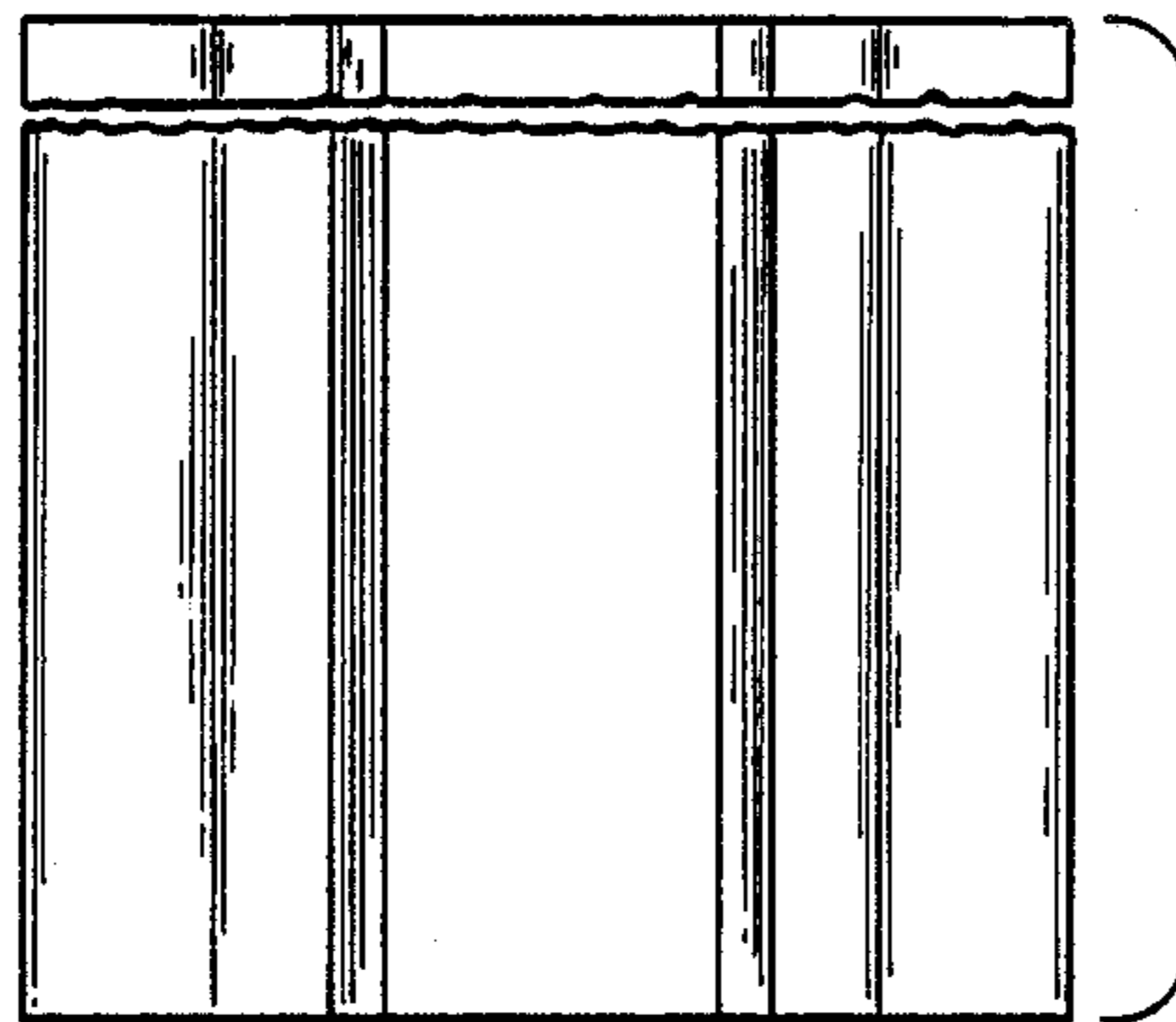


FIG. 5

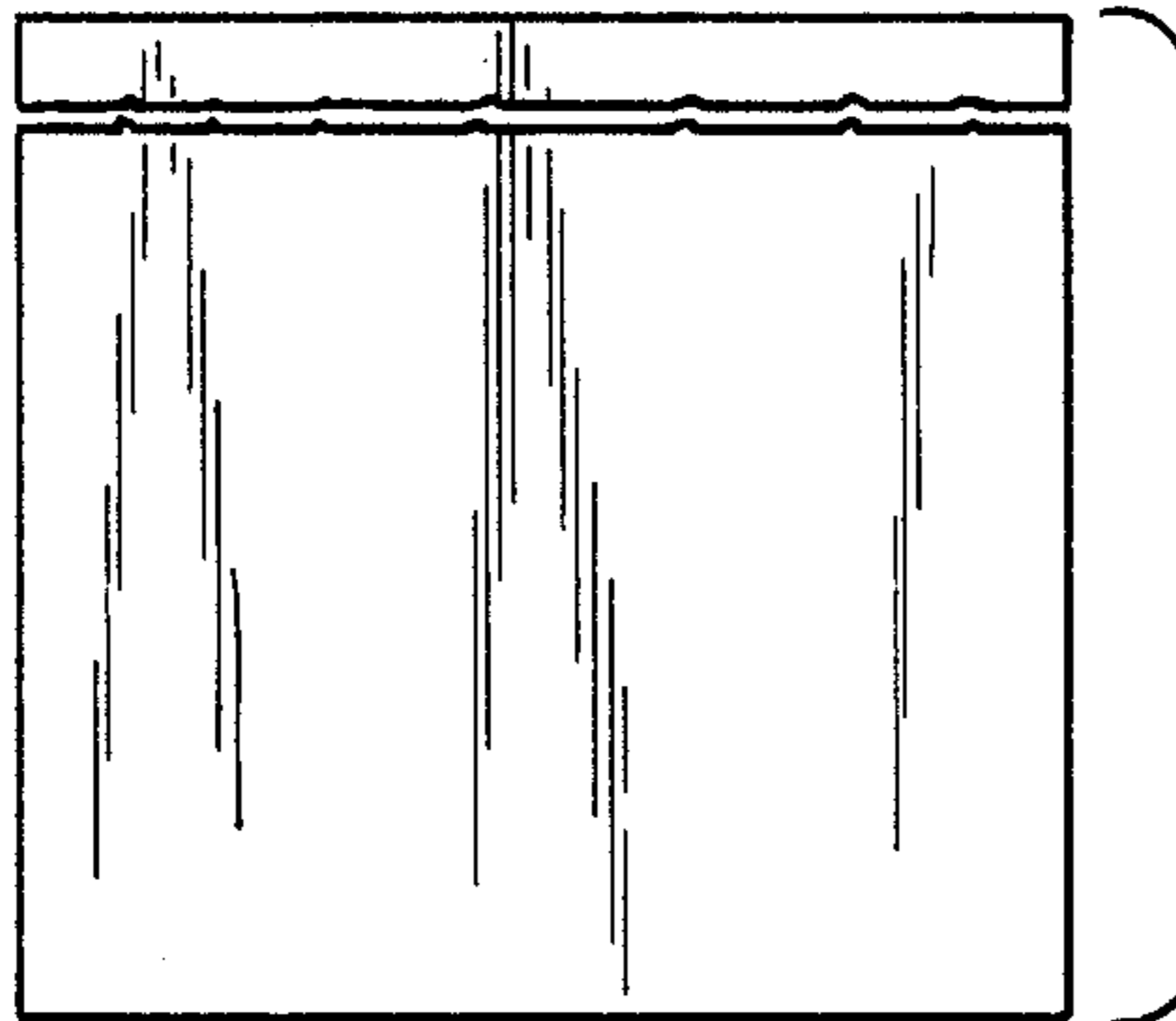


FIG. 1

