

[54] RAKE

[76] Inventor: Otto H. Schuele, P.O. Box 36,
Horseshoe Valley, R.R. #1, Barrie,
Ontario, Canada, L4M 4Y8

[**] Term: 14 Years

[21] Appl. No.: 143,602

[22] Filed: Jan. 13, 1988

[30] Foreign Application Priority Data

Sep. 10, 1987 [CA] Canada 10-09-87-8

[52] U.S. Cl. D8/13

[58] Field of Search D8/1, 6, 13; 7/114;
56/400.01, 400.04, 400.12, 400.16, 400.17

[56] References Cited

U.S. PATENT DOCUMENTS

D. 28,813 6/1898 Kohler D8/13

D. 49,762 10/1916 Doust D8/13
D. 265,168 6/1982 Zabarte D8/6
3,193,999 7/1965 Hester 56/400.16
3,264,809 8/1966 Jackson 56/400.12

Primary Examiner—Wallace R. Burke
Assistant Examiner—Brian N. Vinson
Attorney, Agent, or Firm—Moss, Hammond

[57] CLAIM

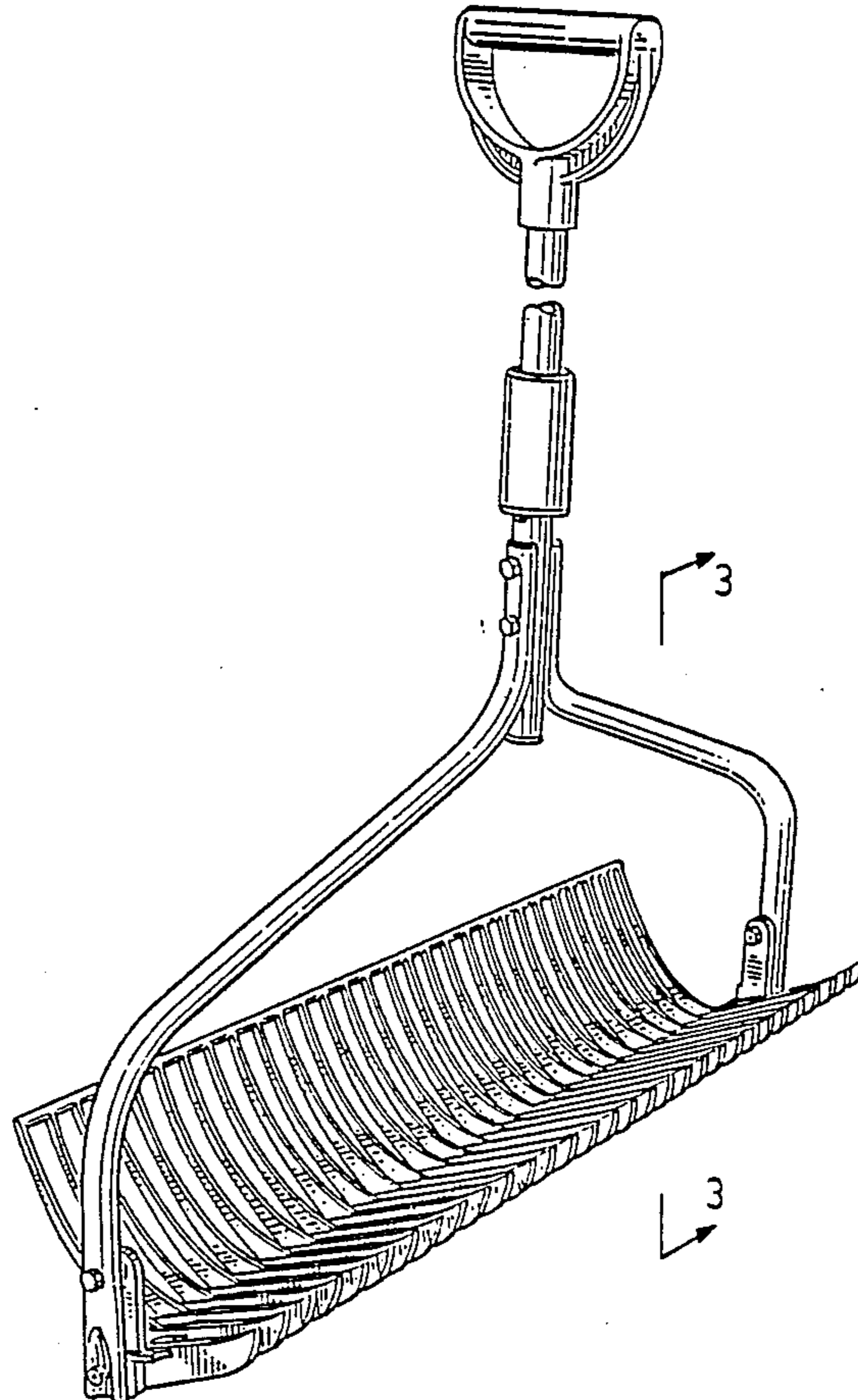
The ornamental design for a rake, as shown and described.

DESCRIPTION

FIG. 1 is a side elevational view of a rake showing my new design, the opposite side being a mirror image of that shown;

FIG. 2 is an enlarged perspective view thereof, with the handle portion shown broken-away for ease of illustration; and

FIG. 3. is a further enlarged fragmentary perspective view thereof, taken along line 3—3 of FIG. 2.



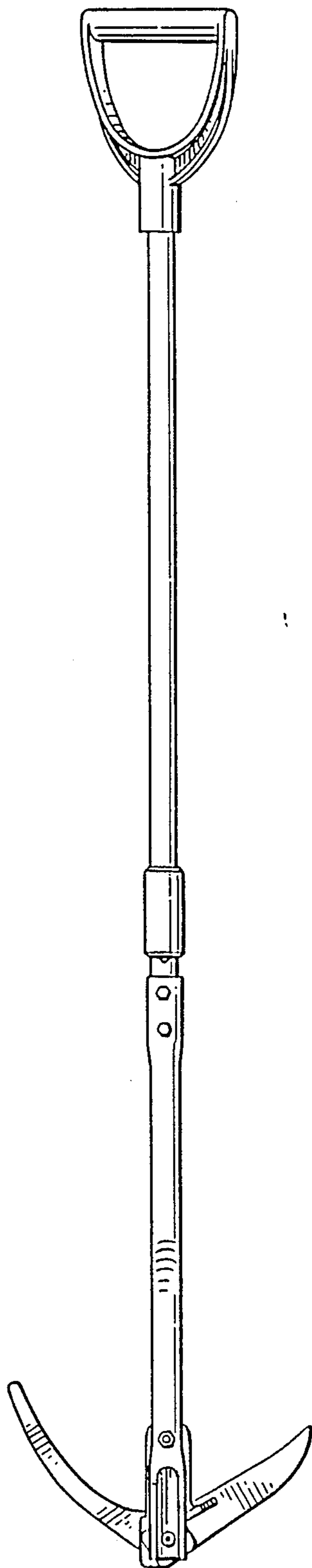
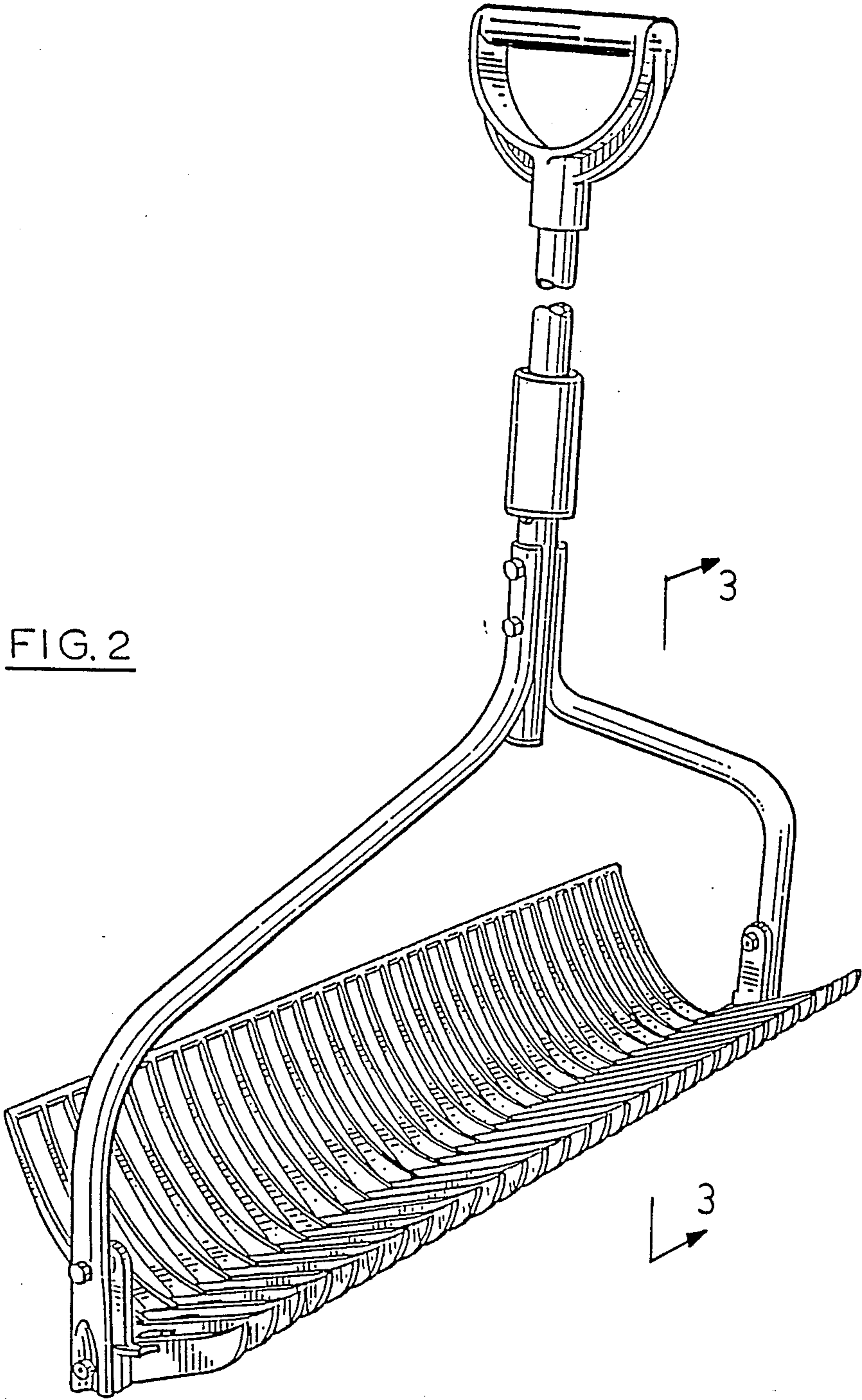


FIG. 1



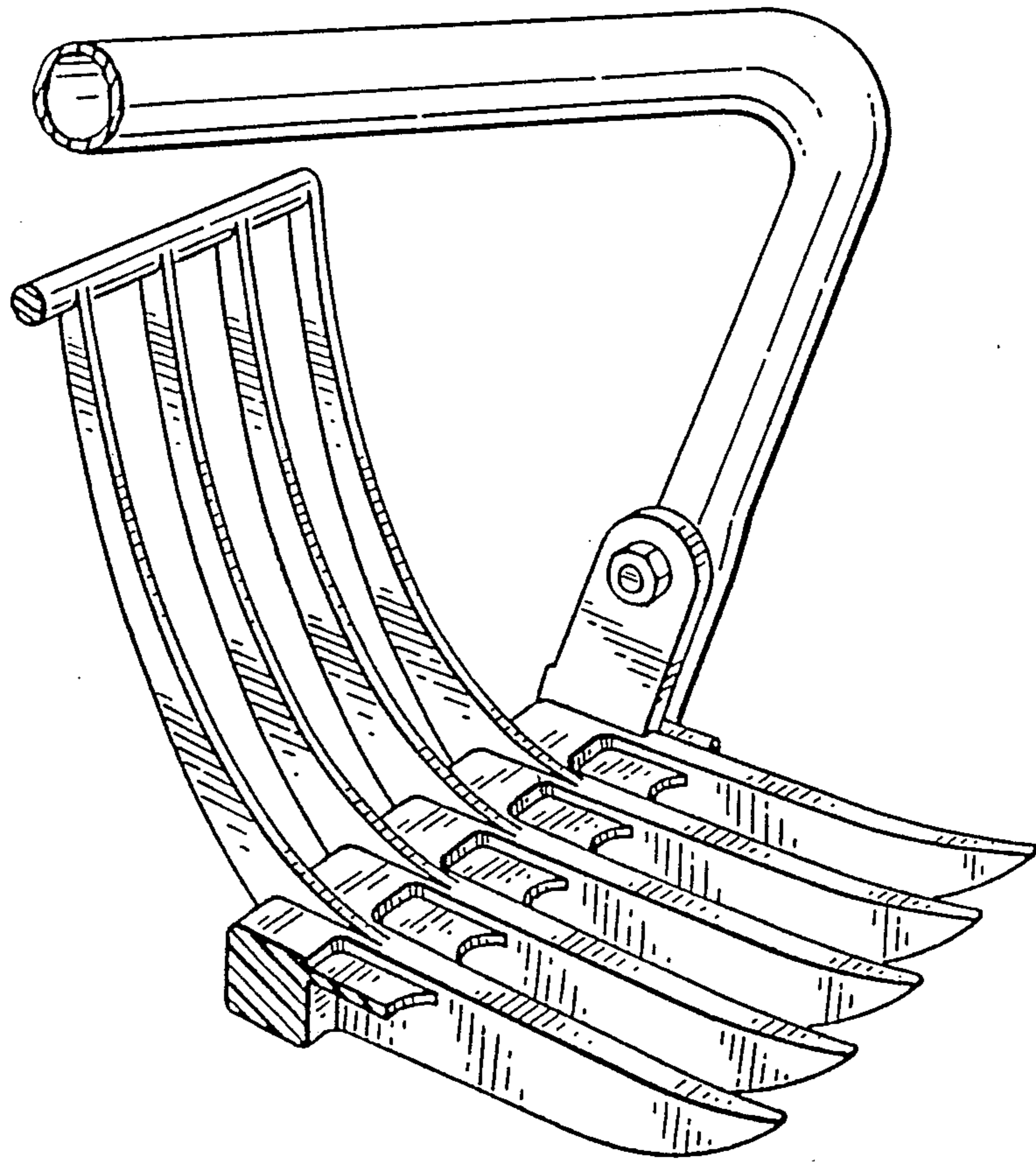


FIG. 3