

[54] HERBICIDE DISPENSING ARM

[75] Inventor: Ronald E. A. Emms, West Beach, Australia

[73] Assignee: Manutec Pty. Ltd., Australia

[**] Term: 14 Years

[21] Appl. No.: 109,855

[22] Filed: Oct. 19, 1987

[52] U.S. Cl. D8/2; D23/223

[58] Field of Search 47/1.5, 48.5; 239/154, 239/152; D8/1-2; D23/223

[56] References Cited

U.S. PATENT DOCUMENTS

- D. 268,610 4/1983 Thompson D23/223
- D. 287,993 1/1987 Cron D23/223
- D. 294,965 3/1988 Garrard et al. D23/223 X
- 4,267,782 5/1981 Talbott 239/154 X

Primary Examiner—Wallace R. Burke

Assistant Examiner—Brian N. Vinson

Attorney, Agent, or Firm—Brown, Martin, Haller & McClain

[57] CLAIM

The ornamental design for a herbicide dispensing arm, as shown and described.

DESCRIPTION

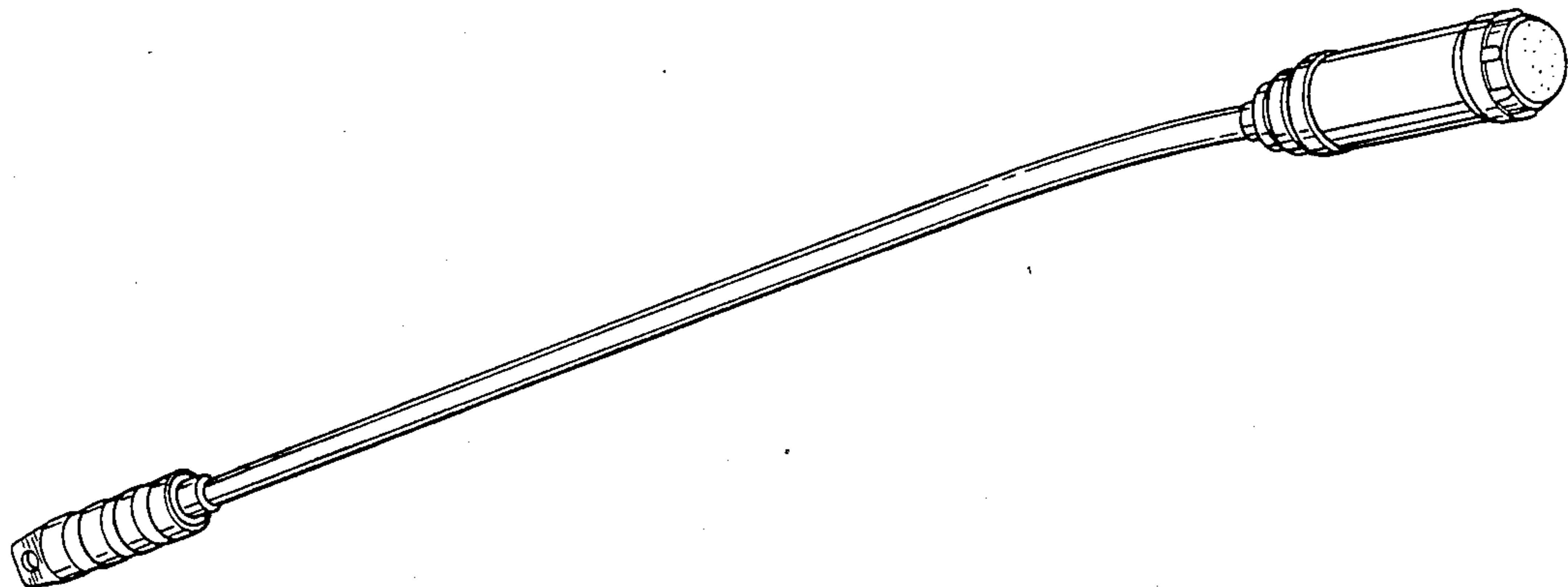
FIG. 1 is a perspective view of a herbicide dispensing arm showing my new design;

FIG. 2 is an enlarged front end elevational view thereof;

FIG. 3 is an enlarged fragmentary side elevational view of the front end portion thereof, the shaft and rear end portion being omitted for convenience of illustration, and the opposite side being a mirror image of that shown;

FIG. 4 is an enlarged fragmentary side elevational view of the rear end portion thereof, the shaft and front end portion being omitted for convenience of illustration, and the opposite side being a mirror image of that shown; and

FIG. 5 is an enlarged rear end elevational view thereof.



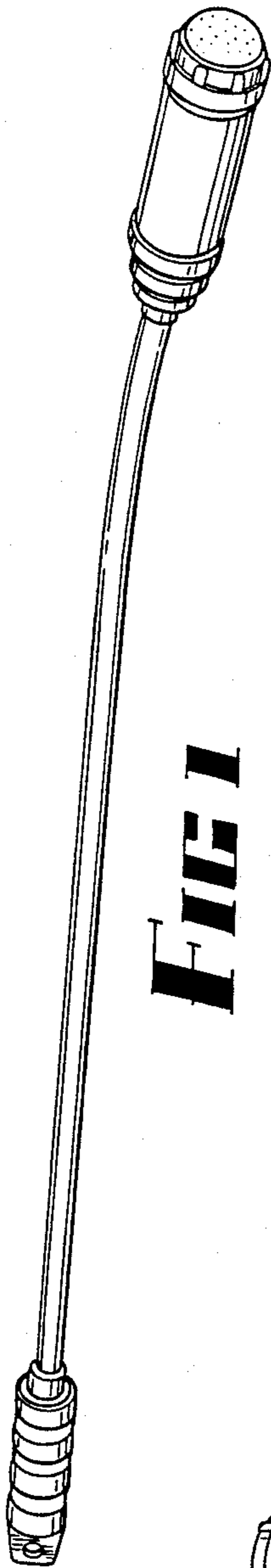


FIG 1

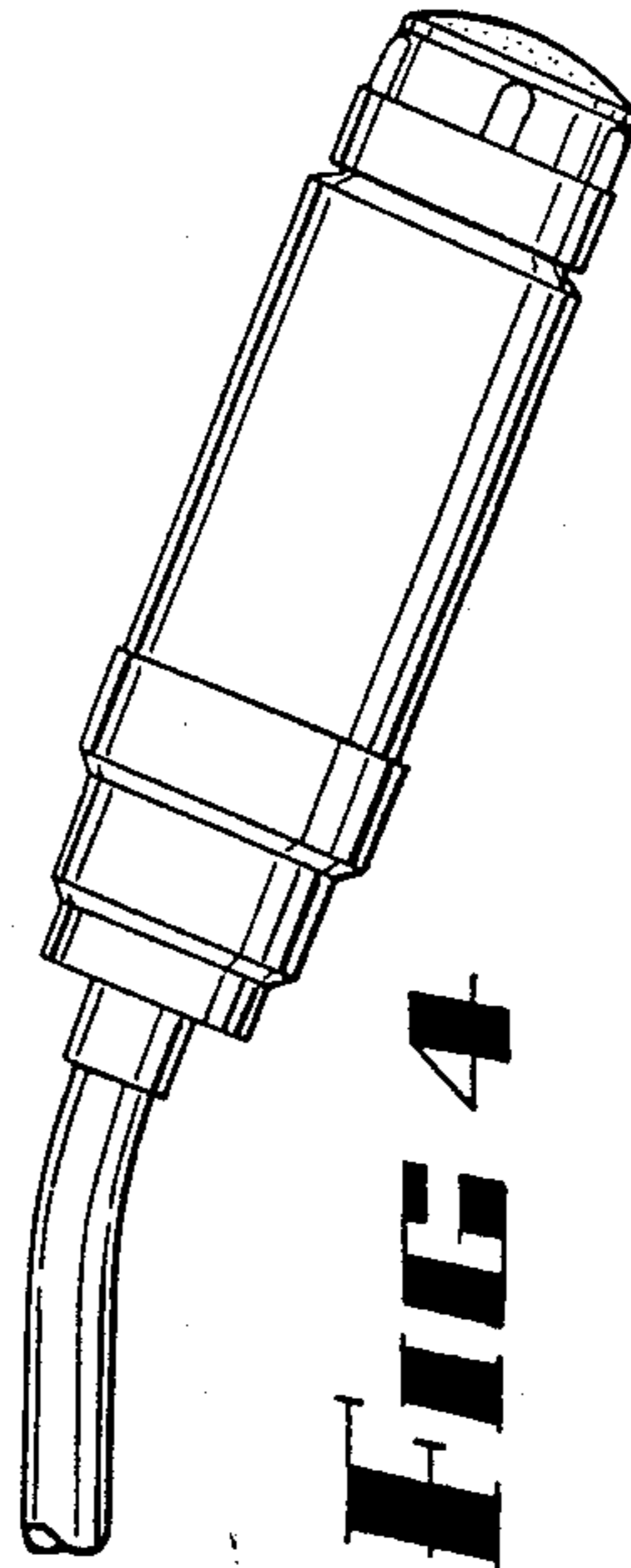


FIG 4

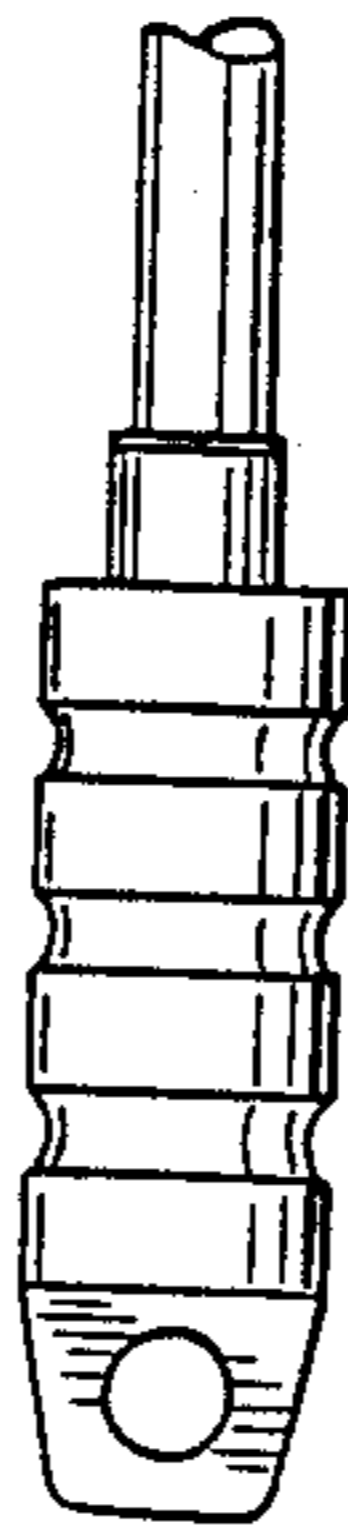


FIG 3

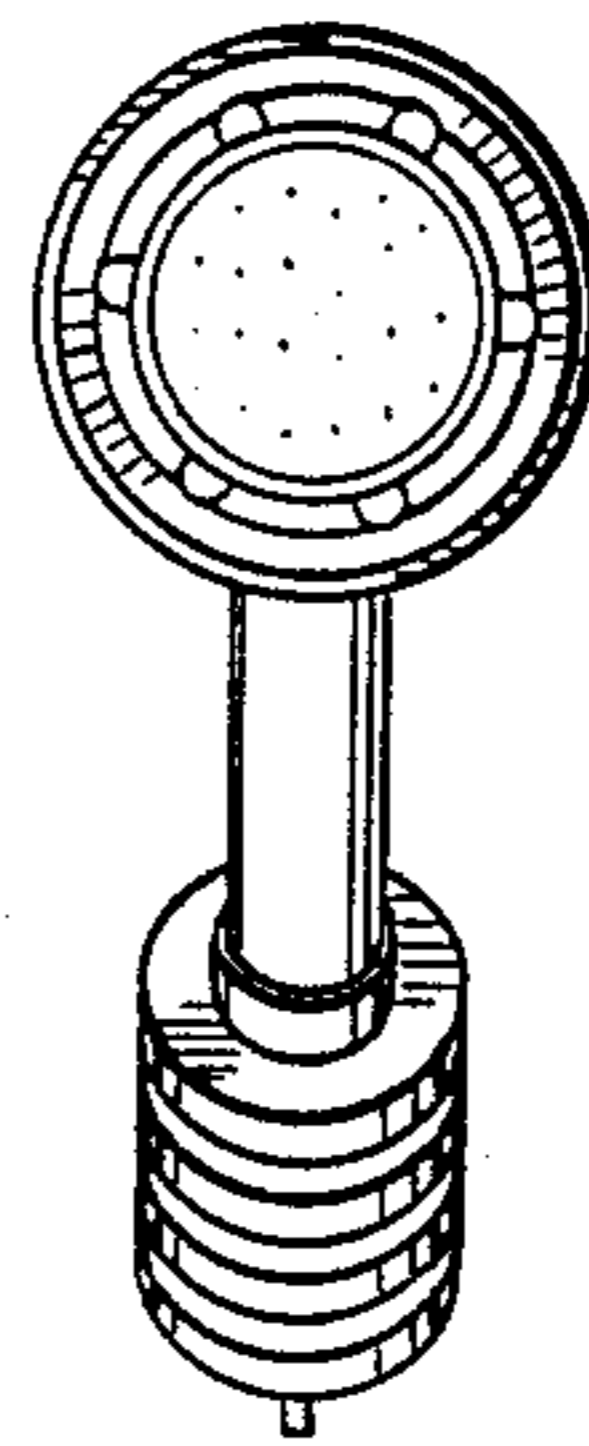


FIG 5

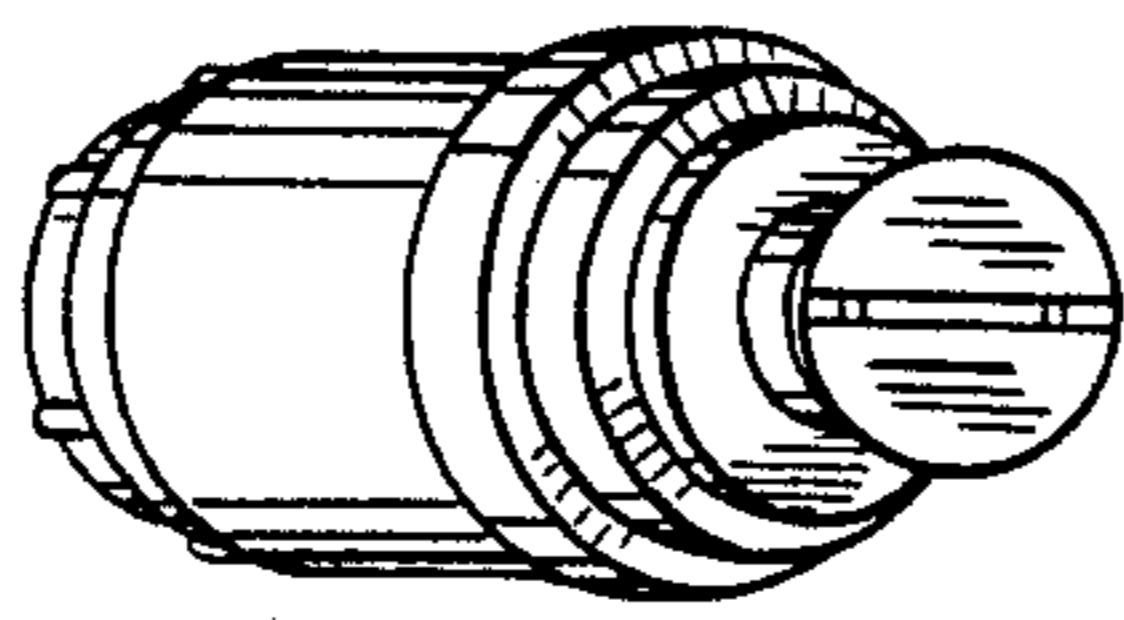


FIG 2