

[54] COOKWARE KNOB

[75] Inventors: Dennis Dricken; Dan E. Gremonprez, both of West Bend, Wis.

[73] Assignee: Dart Industries, Inc., Deerfield, Ill.

[\*\*] Term: 14 Years

[21] Appl. No.: 21,064

[22] Filed: Mar. 3, 1987

[52] U.S. Cl. .... D7/393

[58] Field of Search ..... D7/354, 360, 361, 391, D7/393

[56] References Cited

U.S. PATENT DOCUMENTS

- D. 212,379 10/1968 Dudas et al. .... D7/393
- D. 261,349 10/1981 Ryser ..... D7/393
- D. 284,444 7/1986 Baumgarten ..... D7/393

Primary Examiner—Winifred E. Herrmann  
Attorney, Agent, or Firm—Russell L. McIlwain

[57] CLAIM

The ornamental design for a cookware knob, as shown and described.

DESCRIPTION

FIG. 1 is a top perspective view of a cookware knob showing our new design. The broken line showing of the cookware lid is for illustrative purposes only and forms no part of the claimed design;

FIG. 2 is a side elevational view thereof, the opposite side being a mirror image thereof;

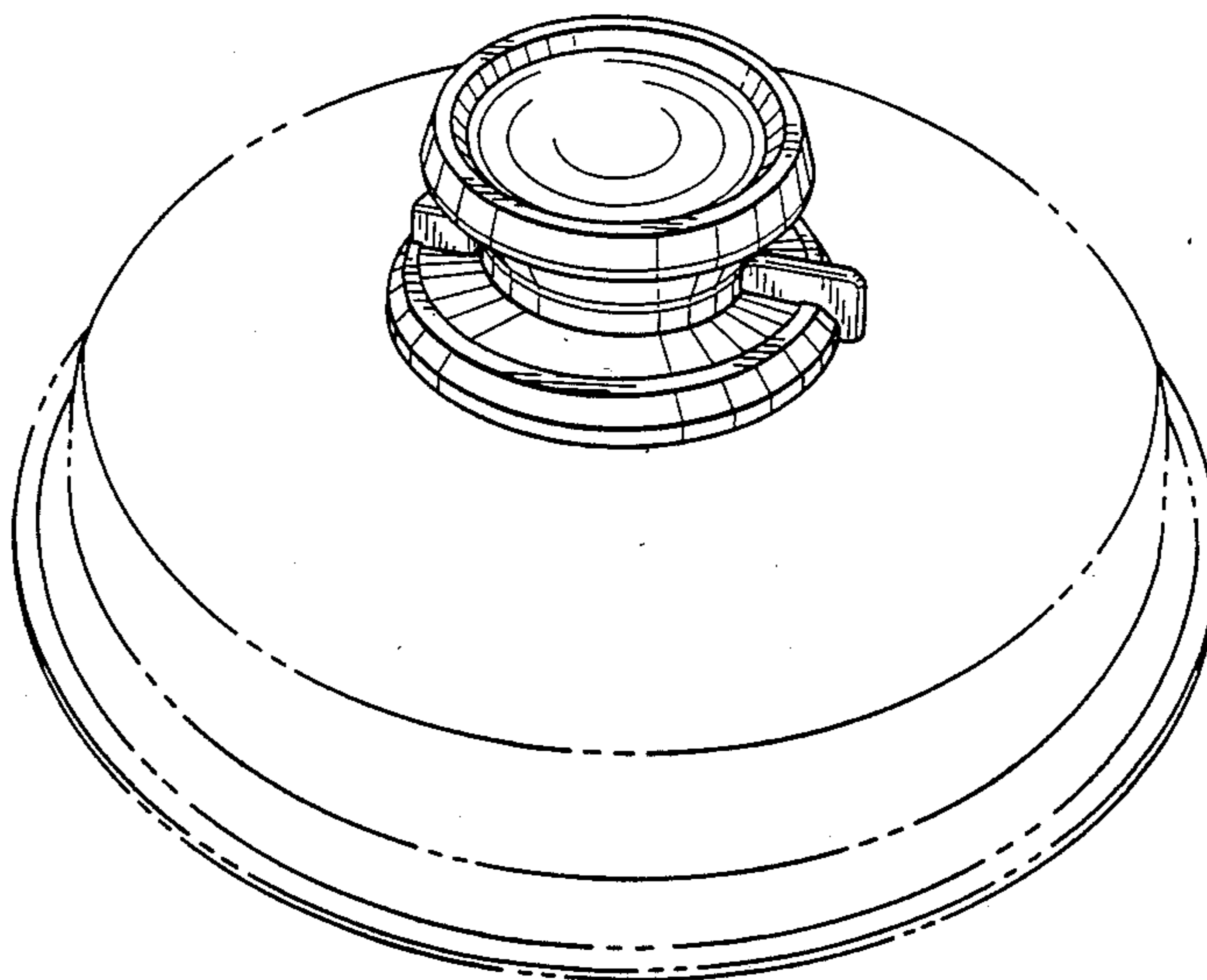
FIG. 3 is a rear elevational view thereof.

FIG. 4 is a front elevational view thereof;

FIG. 5 is a top plan view thereof;

FIG. 6 is a bottom plan view thereof;

FIG. 7 is a cross-sectional view taken along line 7—7 of FIG. 5.



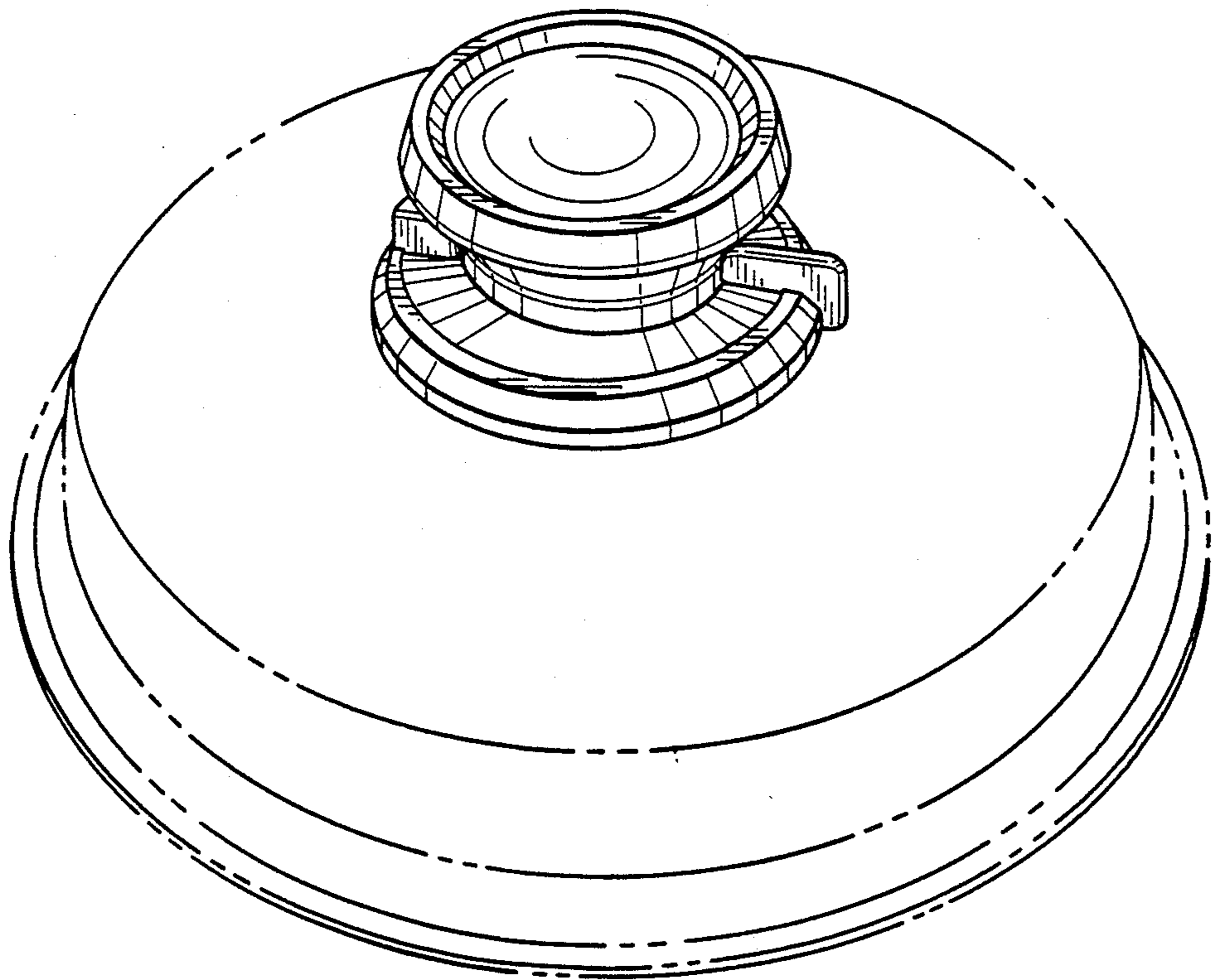


FIG. 1

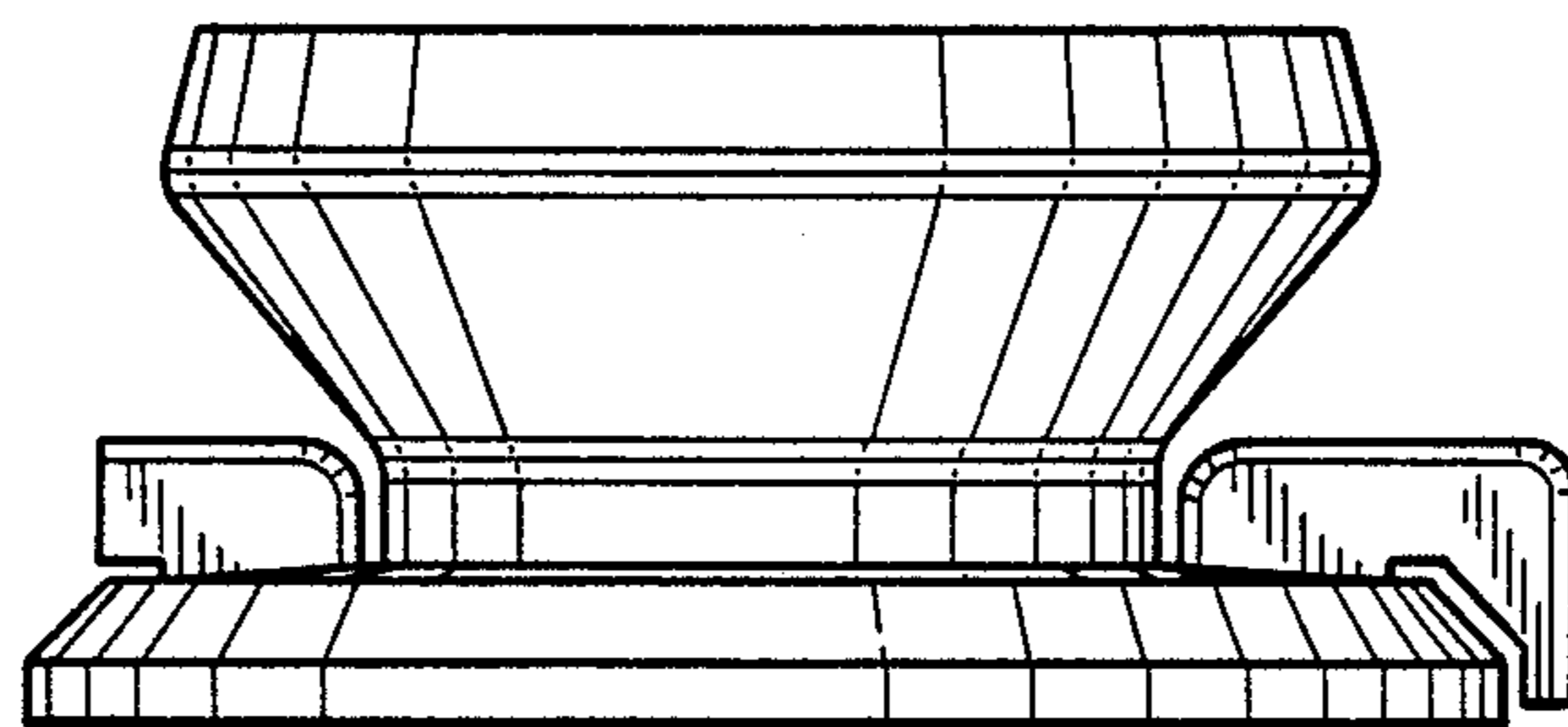


FIG. 2

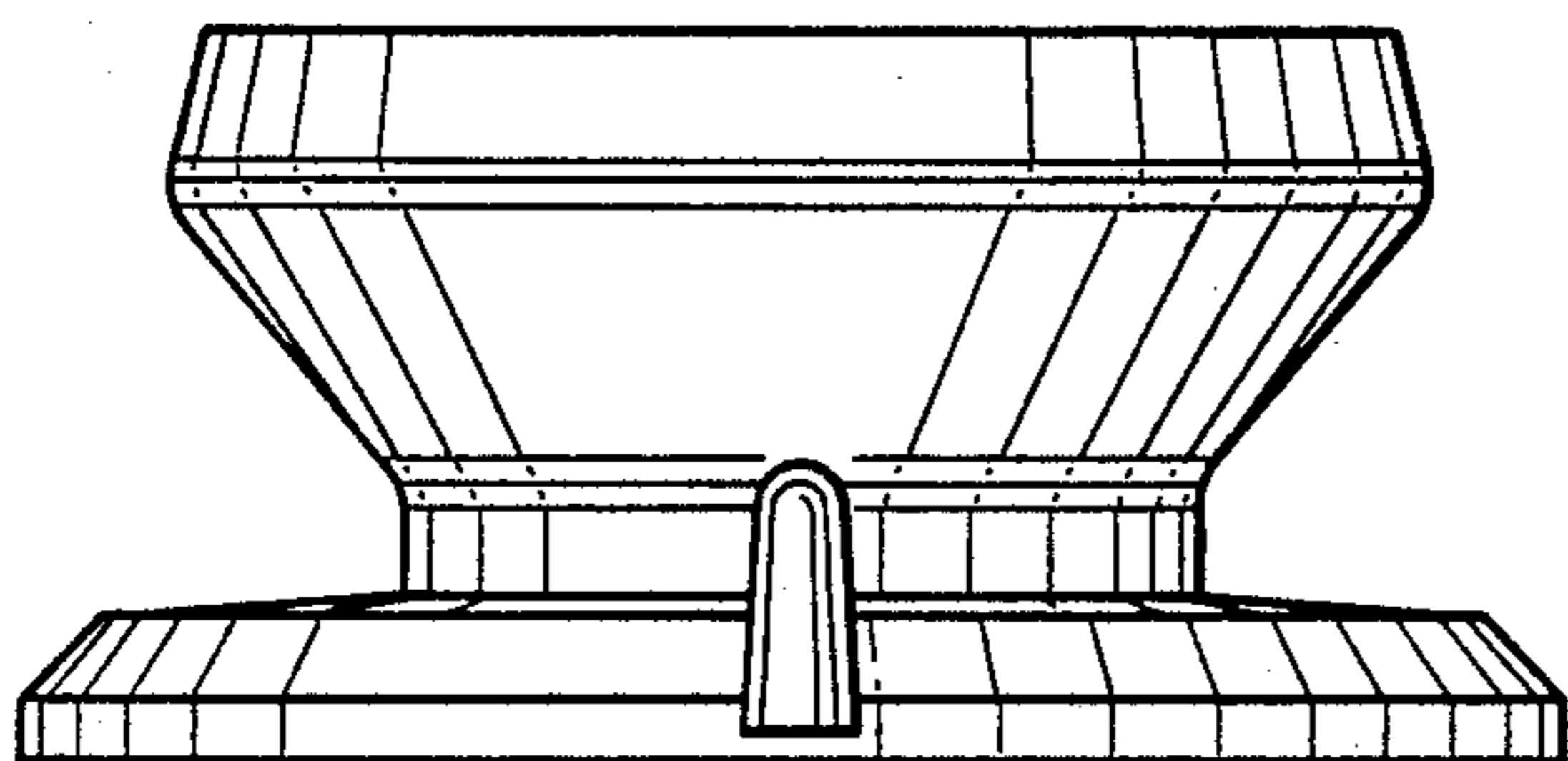


FIG. 3

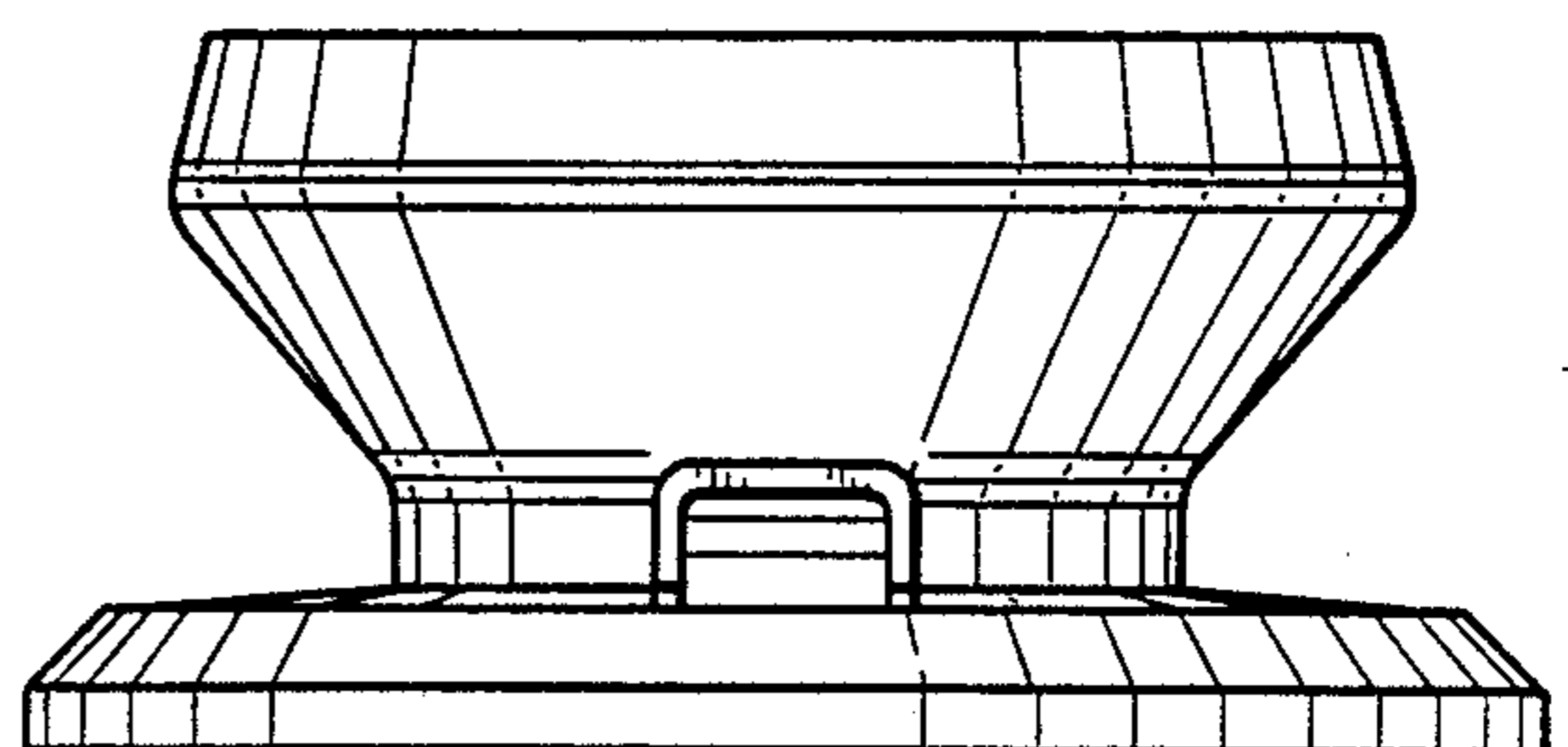


FIG. 4

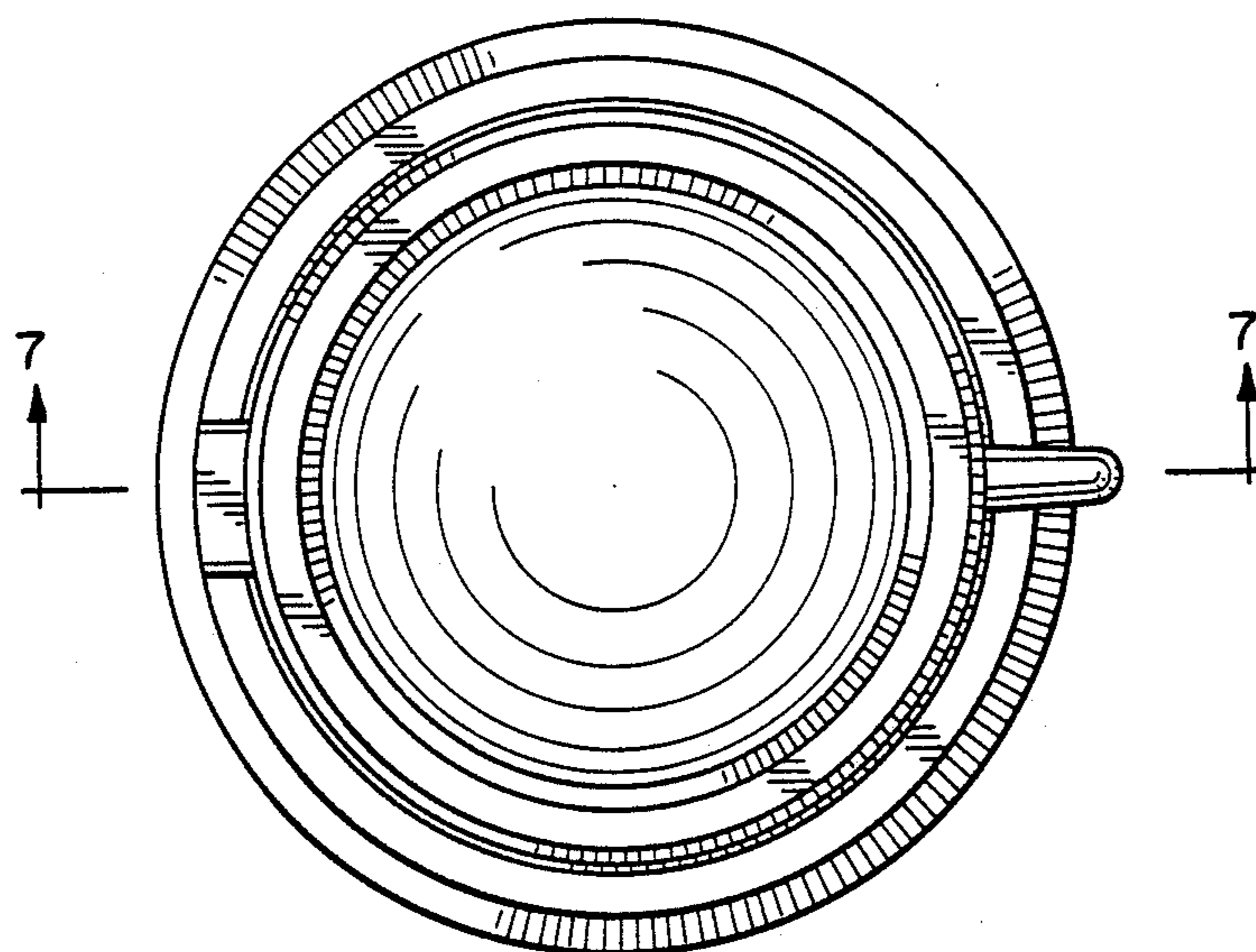


FIG. 5

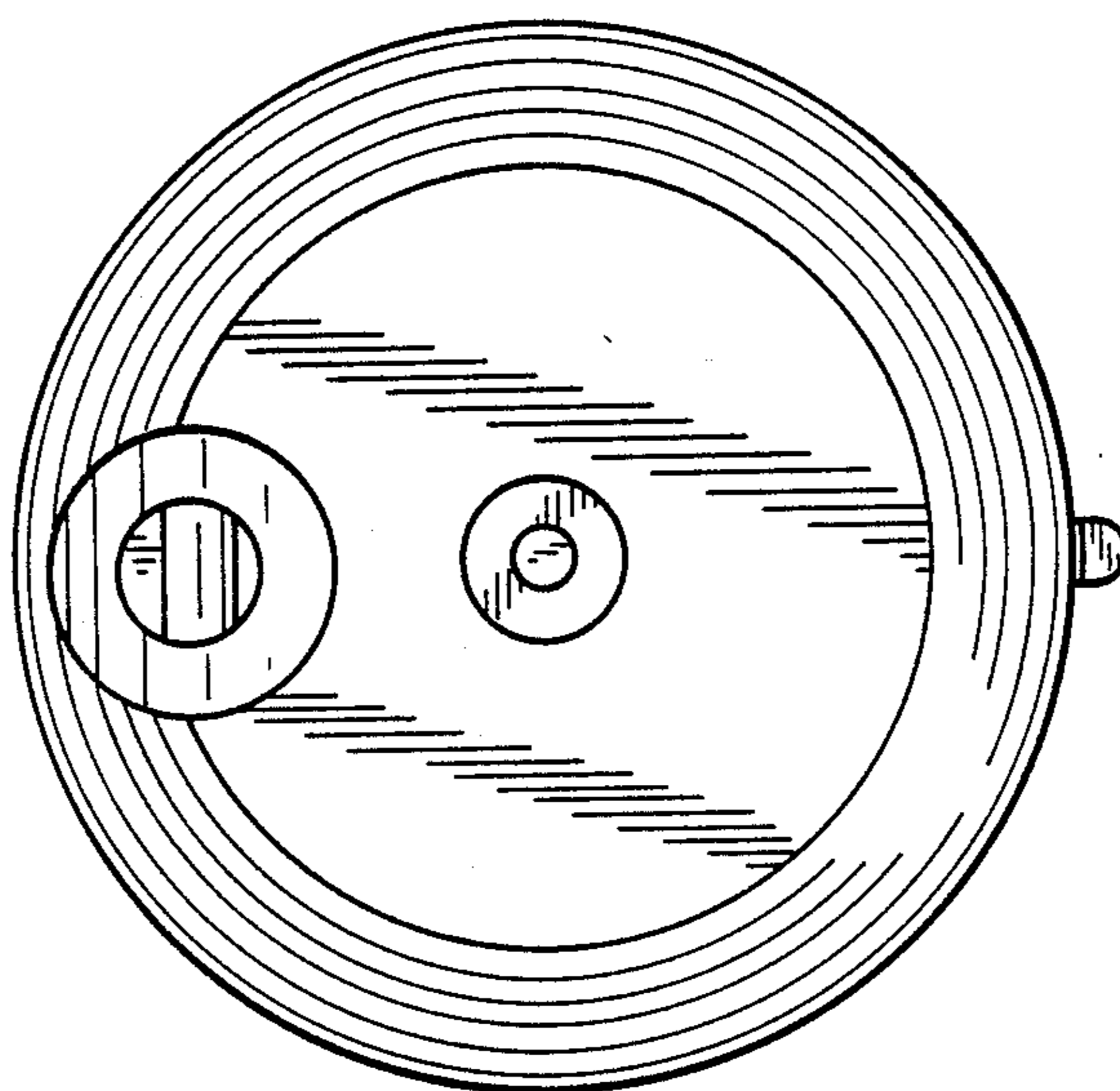


FIG. 6

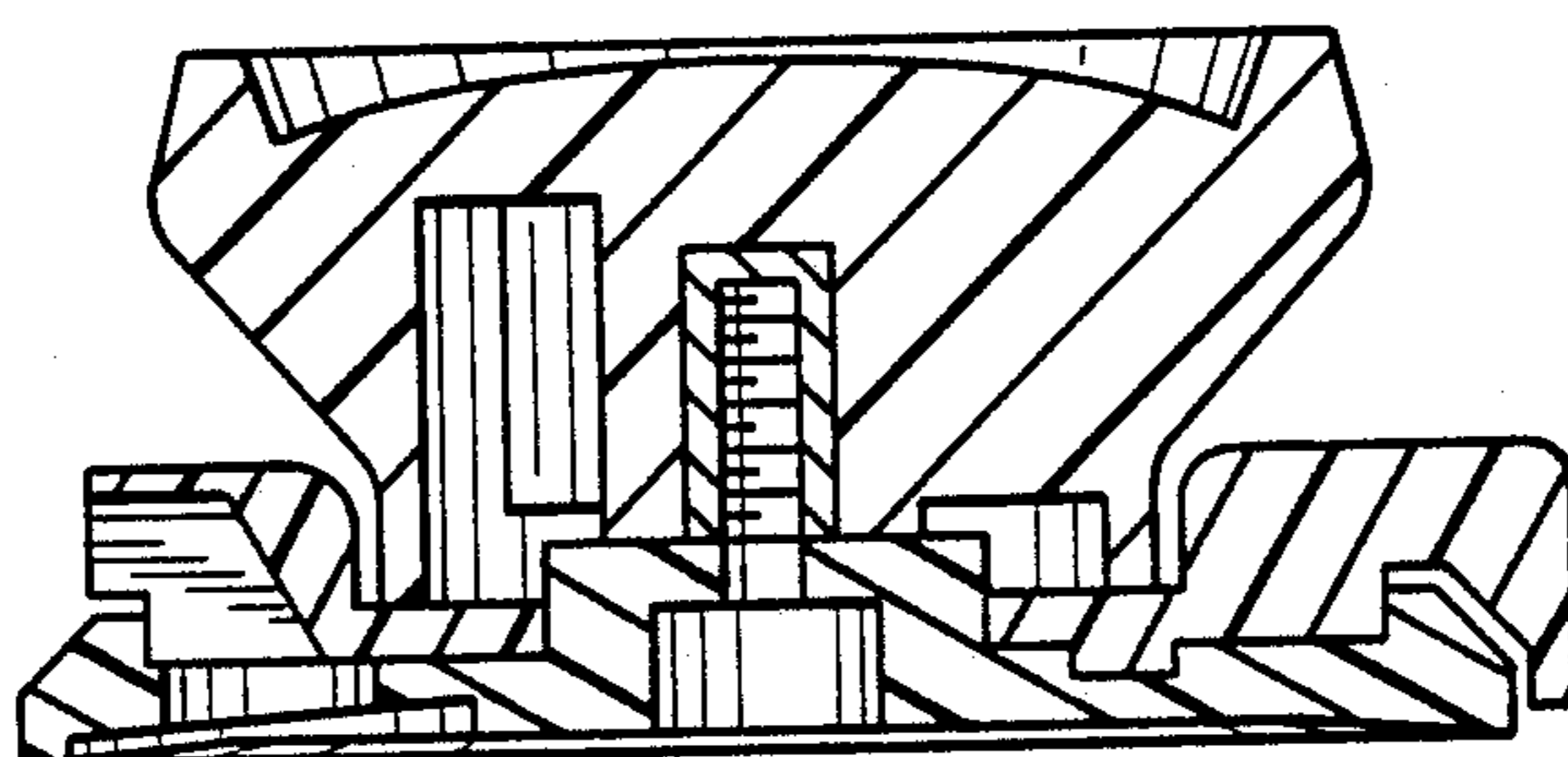


FIG. 7