

[54] MICROWAVE OVEN

[75] Inventors: Hiromiti Yamada; Junichi Sakamoto; Hiroshi Nishibori, all of Osaka, Japan

[73] Assignee: Sharp Corporation, Osaka, Japan

[\*] Notice: The portion of the term of this patent subsequent to Jan. 23, 2004 has been disclaimed.

[\*\*] Term: 14 Years

[21] Appl. No.: 78,470

[22] Filed: Jul. 27, 1987

[30] Foreign Application Priority Data

Feb. 6, 1987 [JP] Japan ..... 62-4520

[52] U.S. Cl. .... D7/351

[58] Field of Search ..... D7/350, 351; 219/10.55 R, 10.55 A, 10.55 B, 10.55 C, 10.55 D, 10.55 F, 10.55 M

[56] References Cited

U.S. PATENT DOCUMENTS

D. 268,081 3/1983 Haruguchi et al. .... D7/351

D. 268,082 3/1983 Haruguchi et al. .... D7/351  
D. 269,840 7/1983 Tanaka et al. .... D7/351  
D. 281,139 10/1985 Fujii et al. .... D7/351  
D. 293,540 1/1988 Choi ..... D7/351  
D. 294,108 2/1988 Choi ..... D7/351

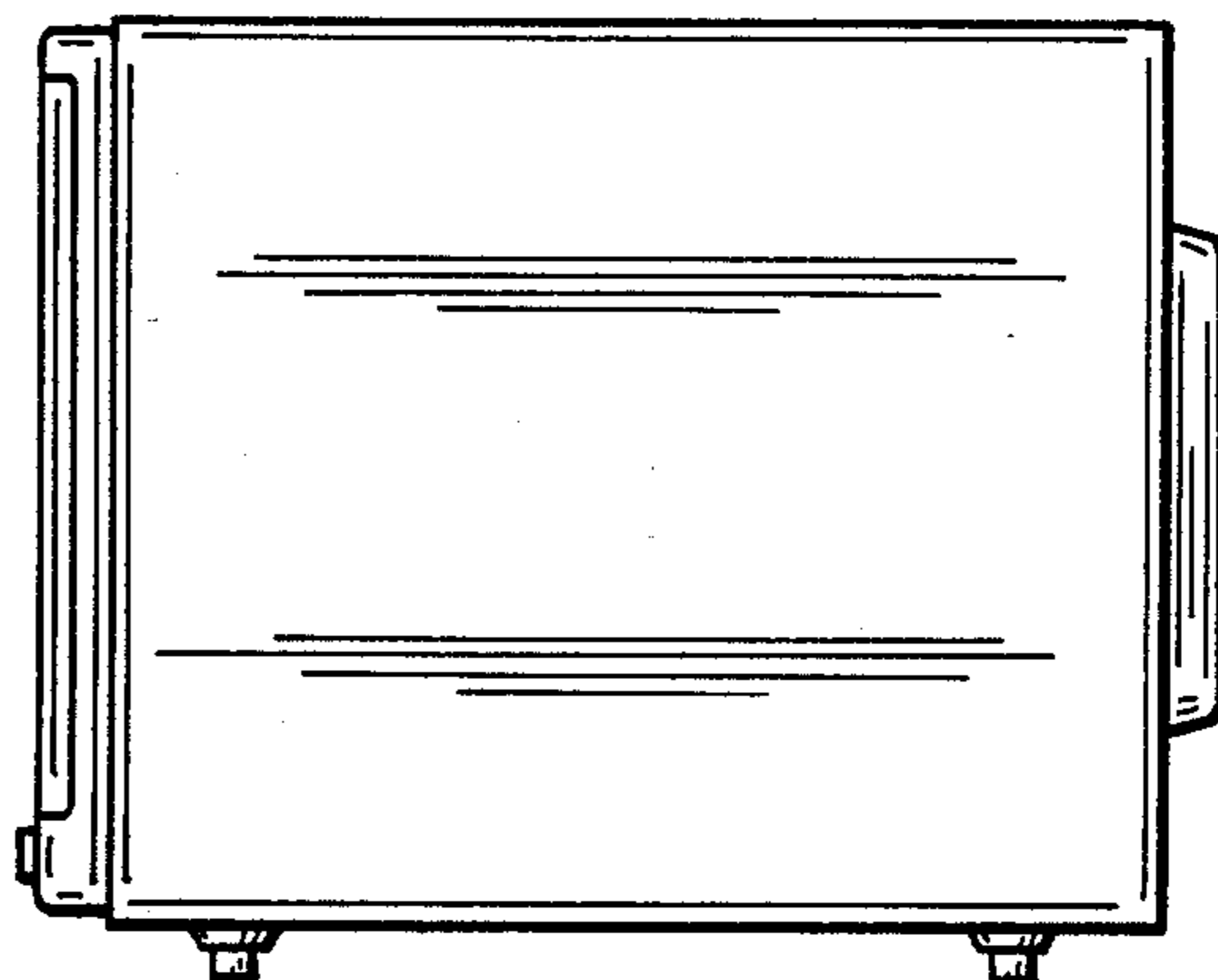
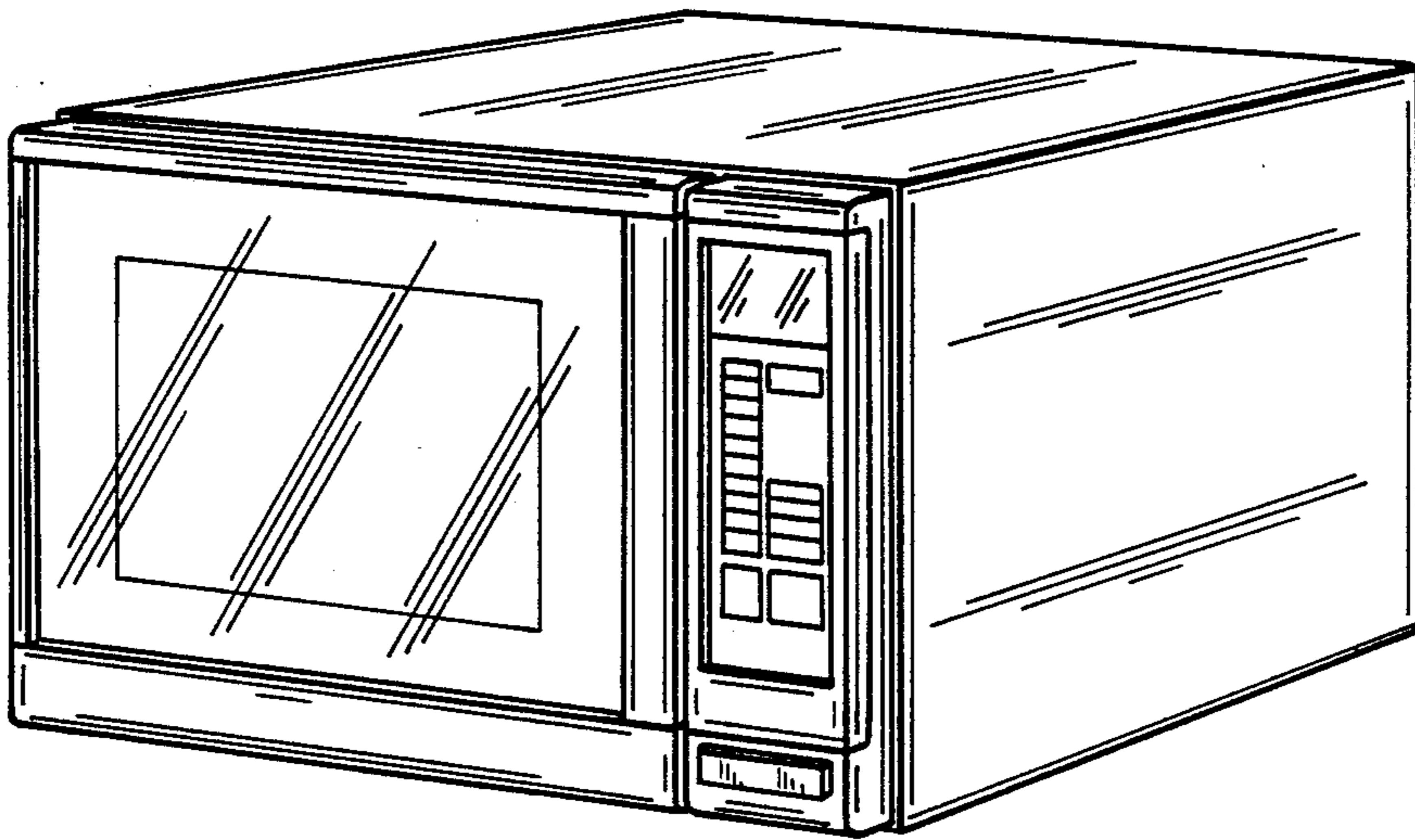
Primary Examiner—Nelson C. Holtje  
Assistant Examiner—Ruth Takemoto  
Attorney, Agent, or Firm—Flehr, Hohbach, Test, Albritton & Herbert

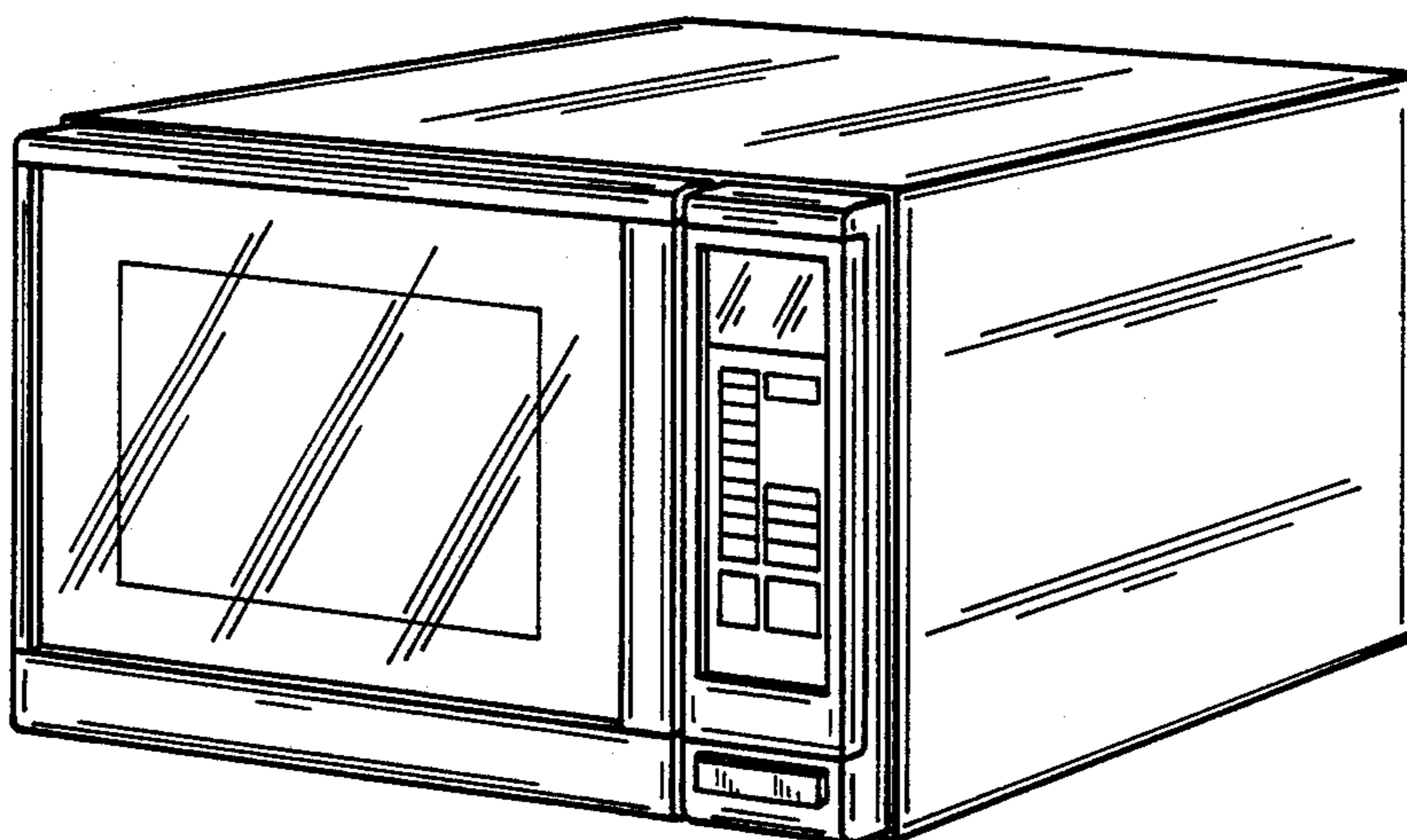
[57] CLAIM

The ornamental design for a microwave oven, as shown and described.

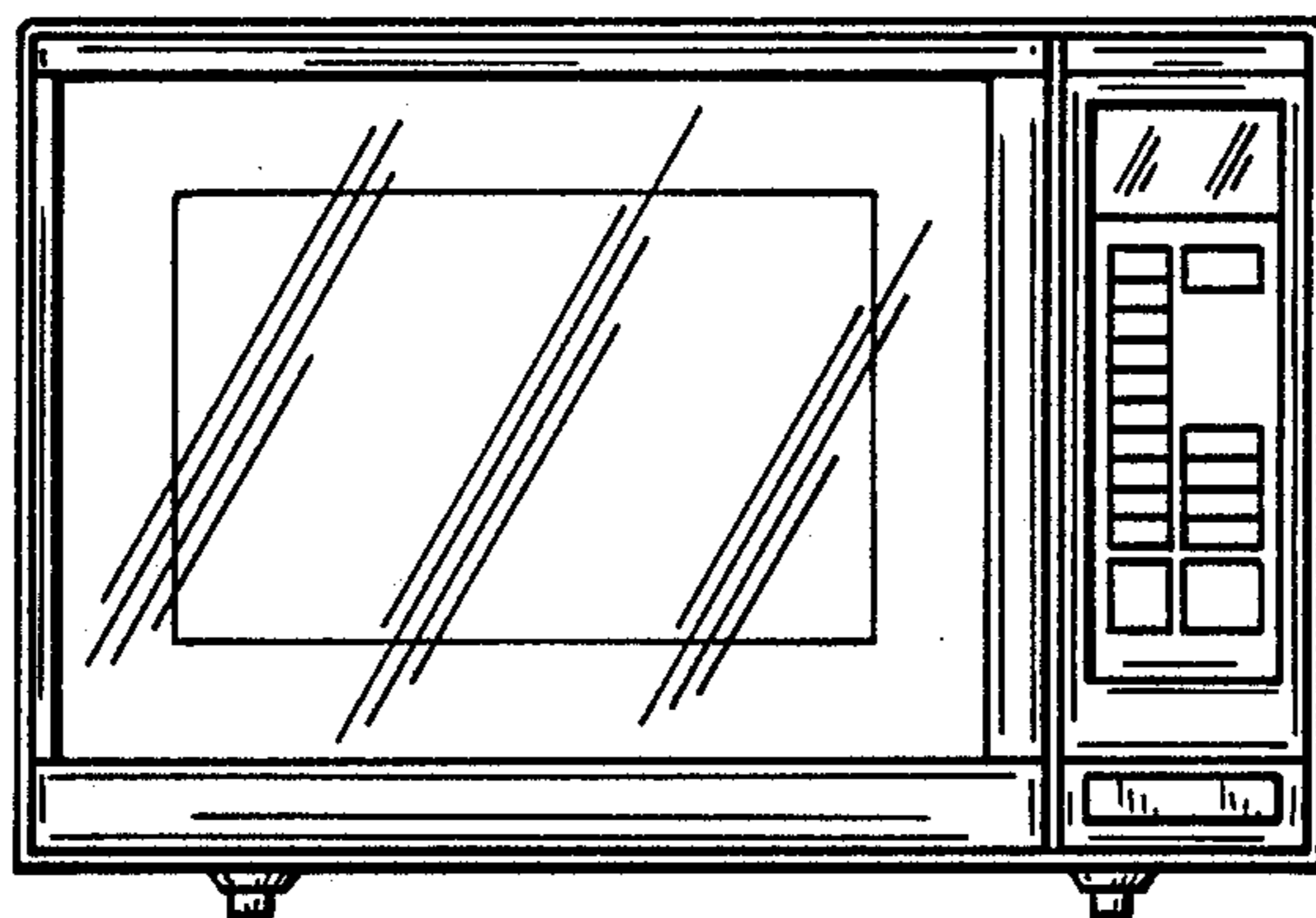
DESCRIPTION

FIG. 1 is a perspective view of a microwave oven showing our new design;  
FIG. 2 is a front elevational view thereof;  
FIG. 3 is a front elevational view thereof with the door open;  
FIG. 4 is a rear elevational view thereof;  
FIG. 5 is a right side elevational view thereof;  
FIG. 6 is a left side elevational view thereof;  
FIG. 7 is a top plan view thereof; and  
FIG. 8 is a bottom plan view thereof.

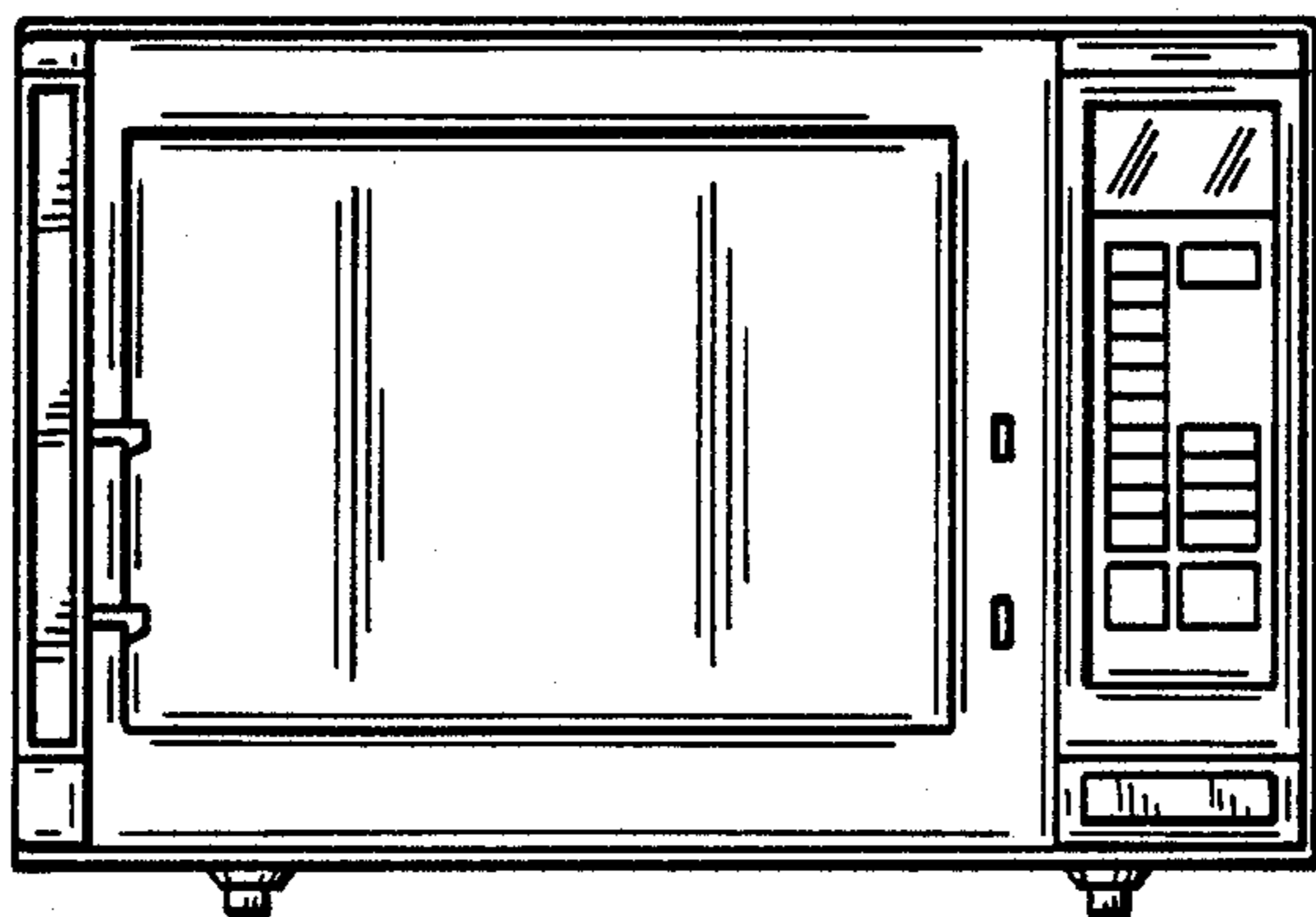




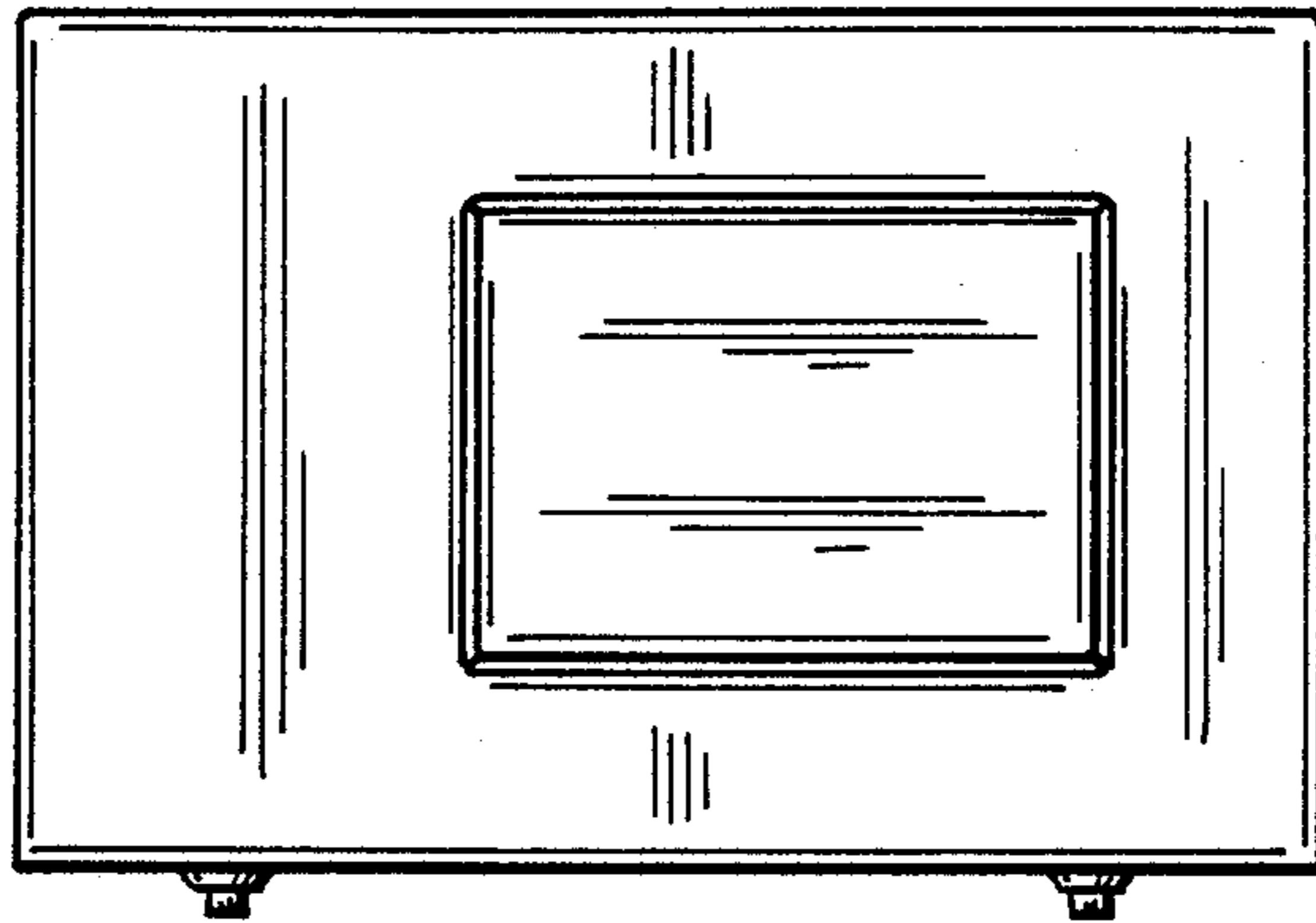
**FIG\_1**



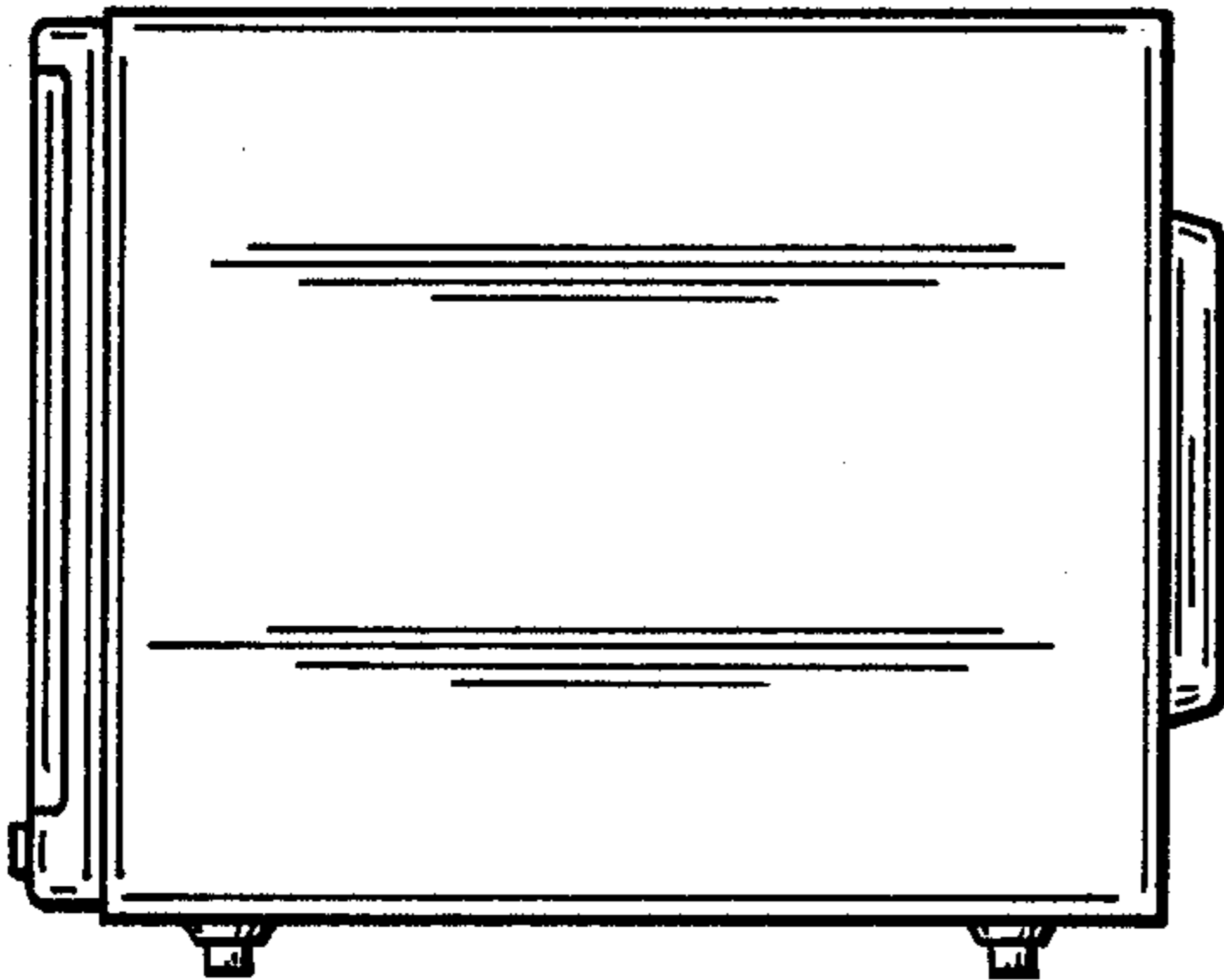
**FIG\_2**



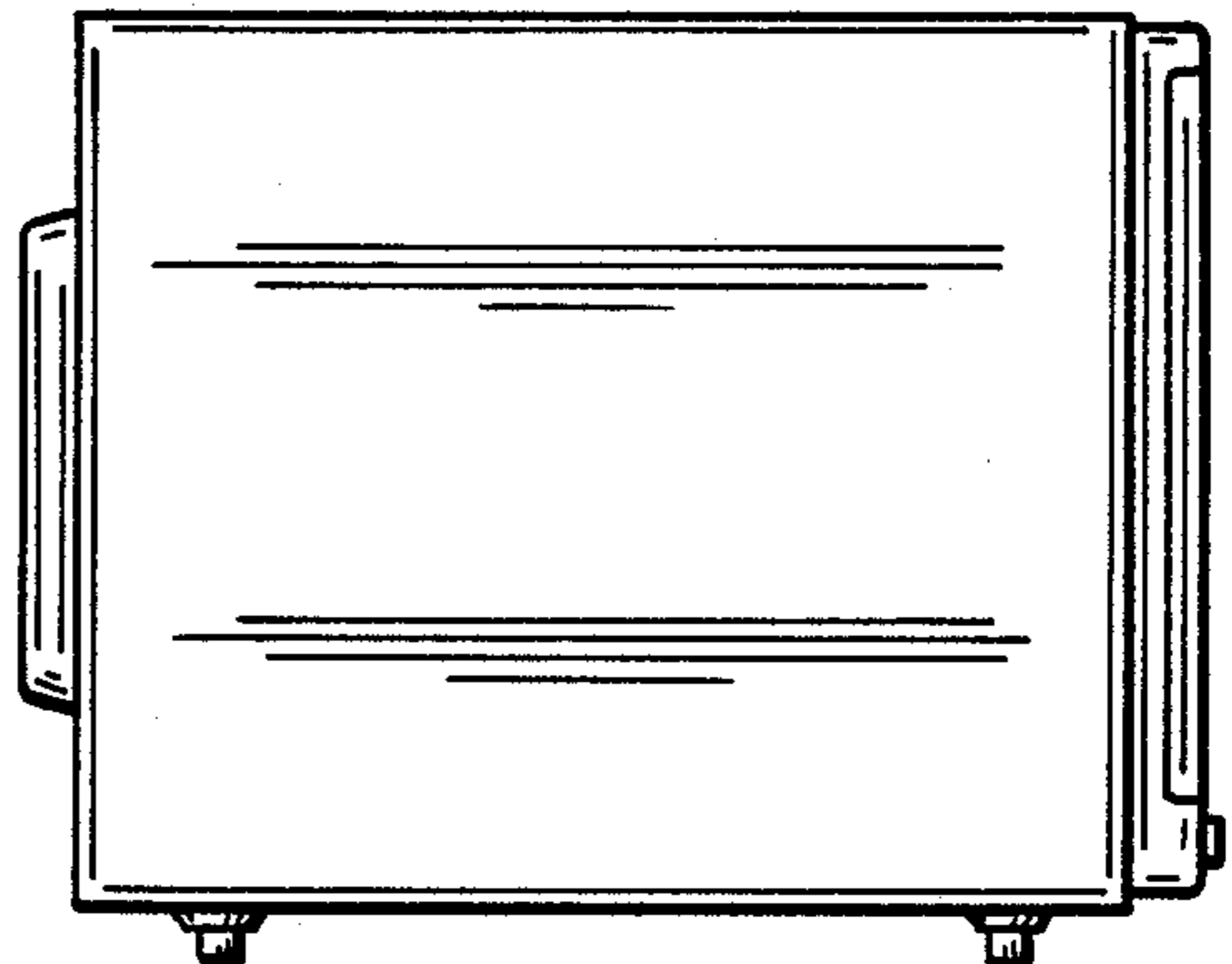
**FIG\_3**



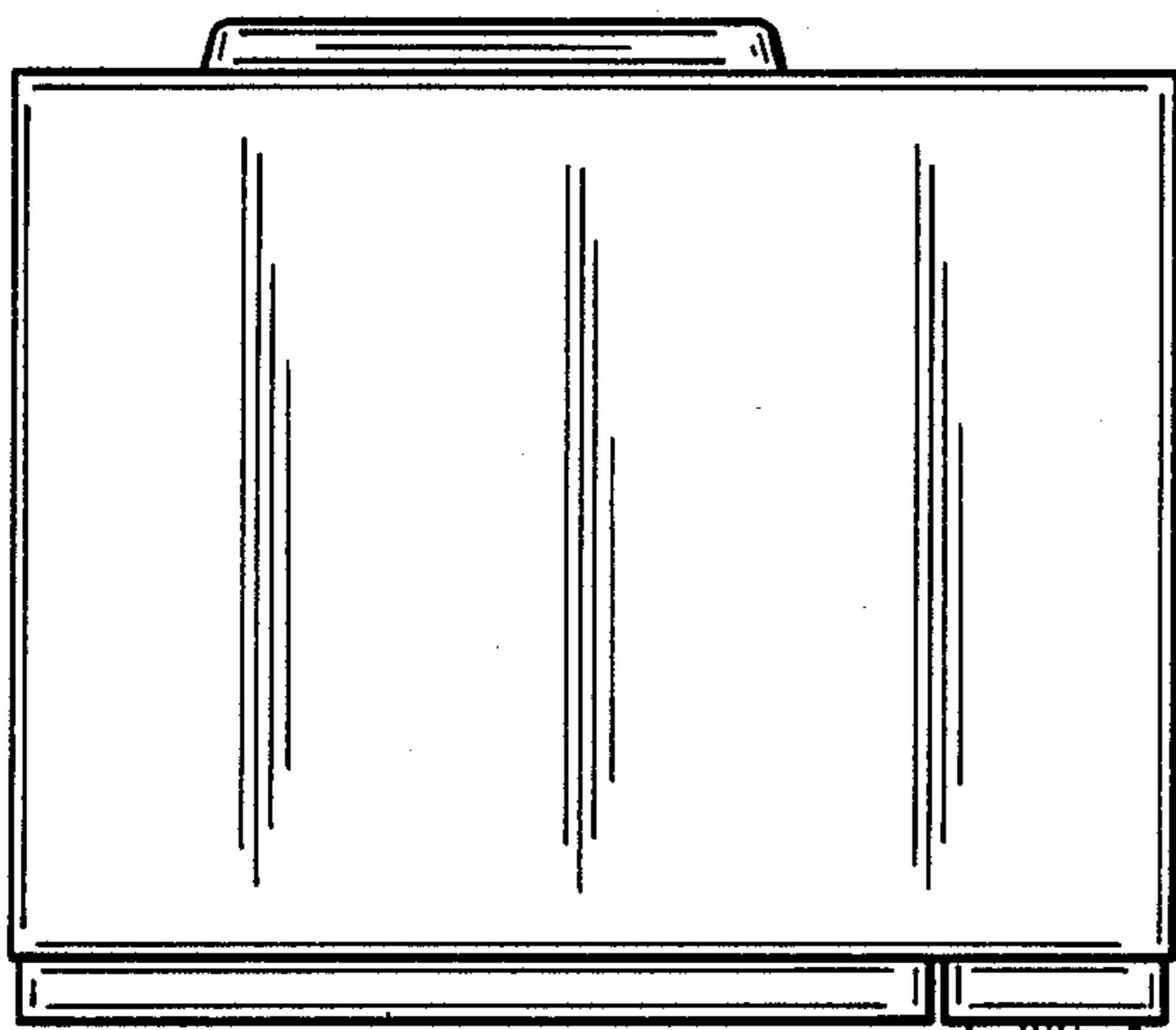
FIG\_4



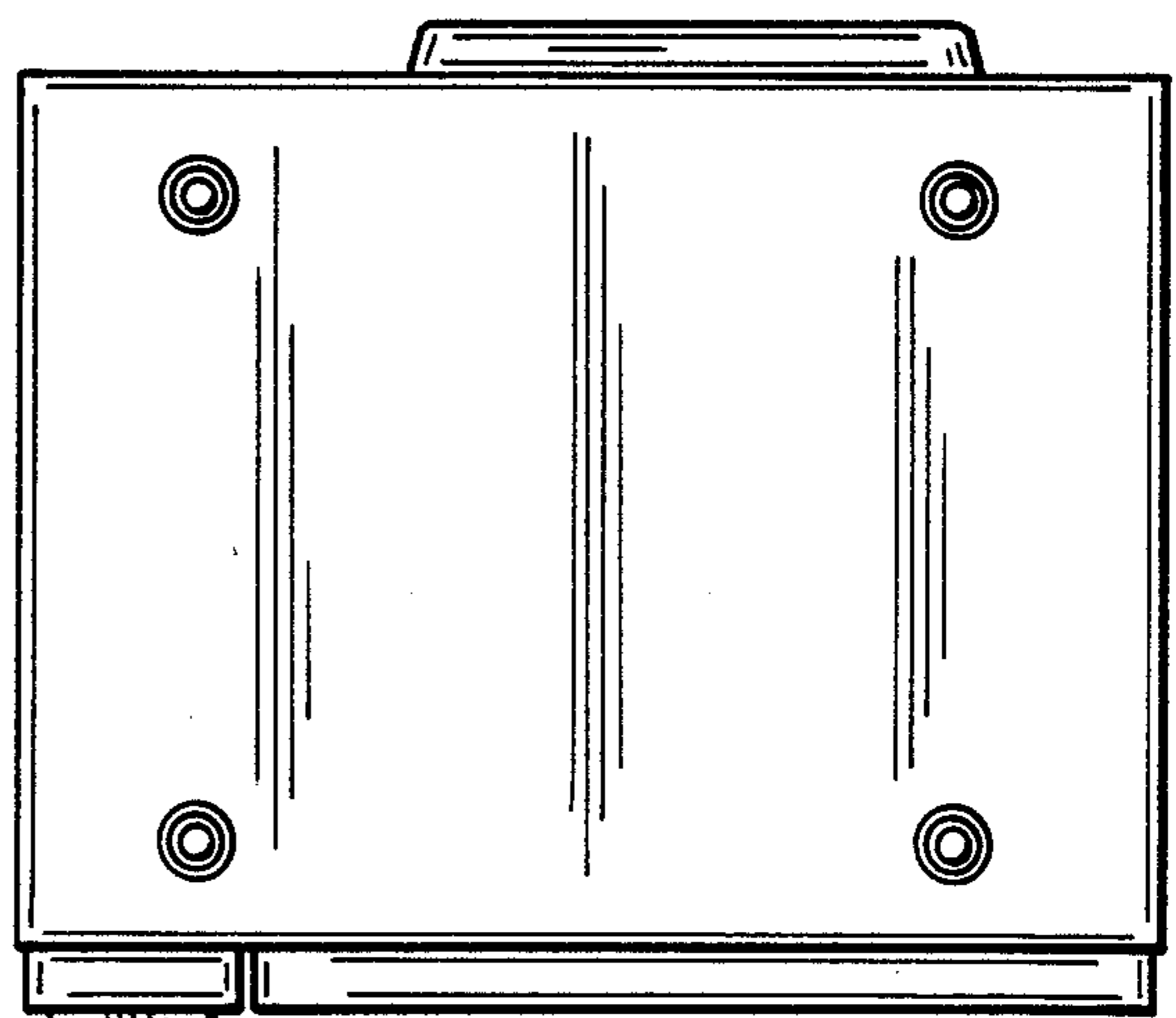
FIG\_5



FIG\_6



FIG\_7



FIG\_8