

[54] **TONGS**

[75] **Inventors: Anil Mehta, Glendale; Gary L. Friederichs, Wauwatosa, both of Wis.**

[73] **Assignee: The Vollrath Company, Inc., Sheboygan, Wis.**

[**] **Term: 14 Years**

[21] **Appl. No.: 85,603**

[22] **Filed: Aug. 13, 1987**

[52] **U.S. Cl. D7/683**

[58] **Field of Search D7/105, 99; 294/3, 8.5, 294/11, 16, 99.1-99.2, 118-119**

[56] **References Cited**

U.S. PATENT DOCUMENTS

- D. 31,966 12/1899 Straub D7/105
- D. 284,440 7/1986 Zieff D7/105

OTHER PUBLICATIONS

1 page portion of CAMBRO brochure showing tongs, p. 10, date unknown.

2 page portion of CONTINENTAL brochure showing tongs, pp. 24-25, date unknown.

1 page portion of TABLECRAFT brochure showing tongs, p. 21, date unknown.

2 page portion of RUBBERMAID brochure showing tongs, pp. 12-13, date unknown.

1 page portion of SILITE brochure showing tongs, p. 22 date unknown.

Primary Examiner—Bernard Ansher
Assistant Examiner—Terry A. Pfeffer
Attorney, Agent, or Firm—Olson & Hierl

[57] **CLAIM**

The ornamental design for tongs, as shown and described.

DESCRIPTION

FIG. 1 is a top perspective view of tongs showing our new design;

FIG. 2 is a left side elevational view thereof;

FIG. 3 is a top plan view thereof;

FIG. 4 is a right side elevational view thereof;

FIG. 5 is a bottom plan view thereof;

FIG. 6 is a front elevational view thereof; and

FIG. 7 is a rear elevational view thereof.

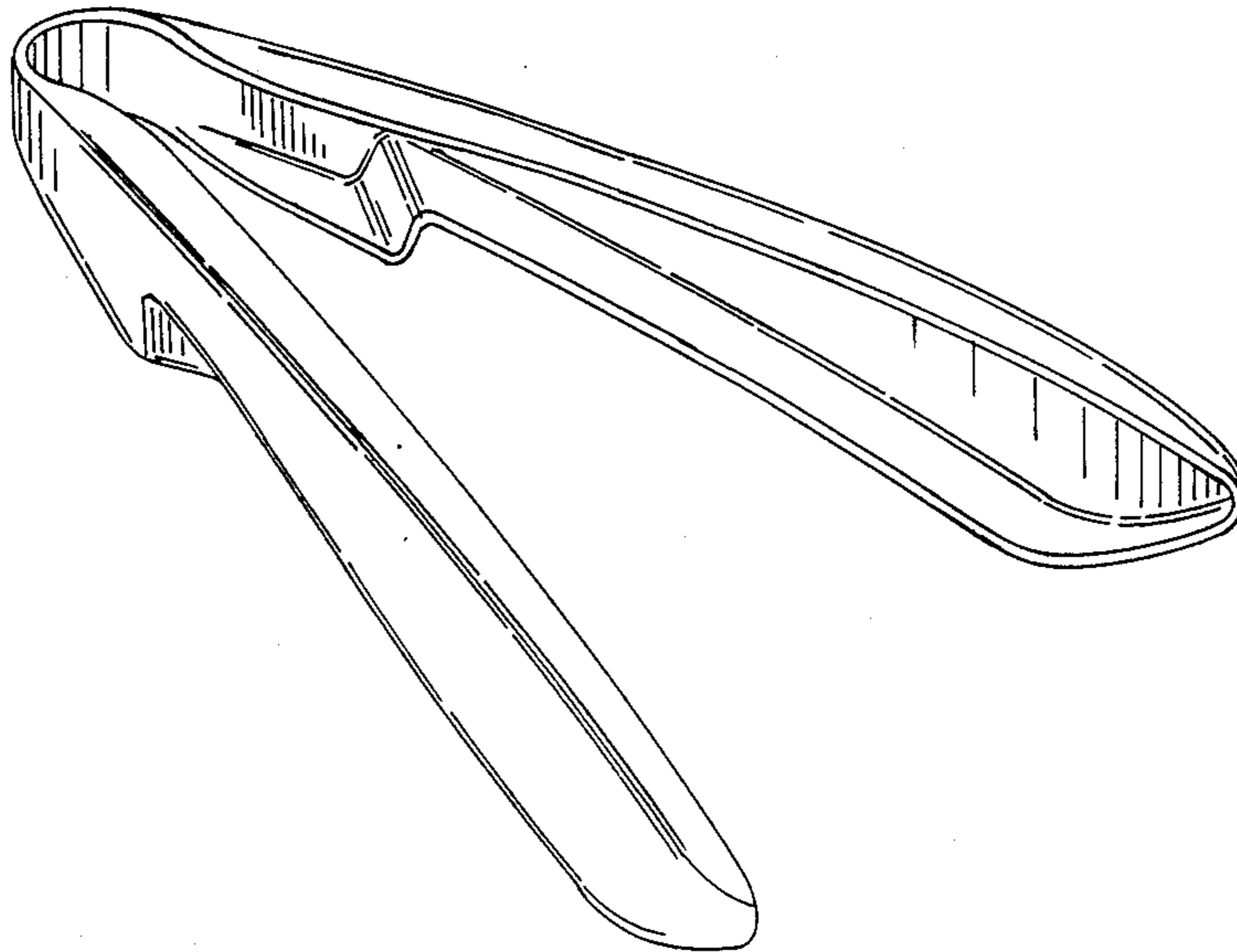


FIG. 1.

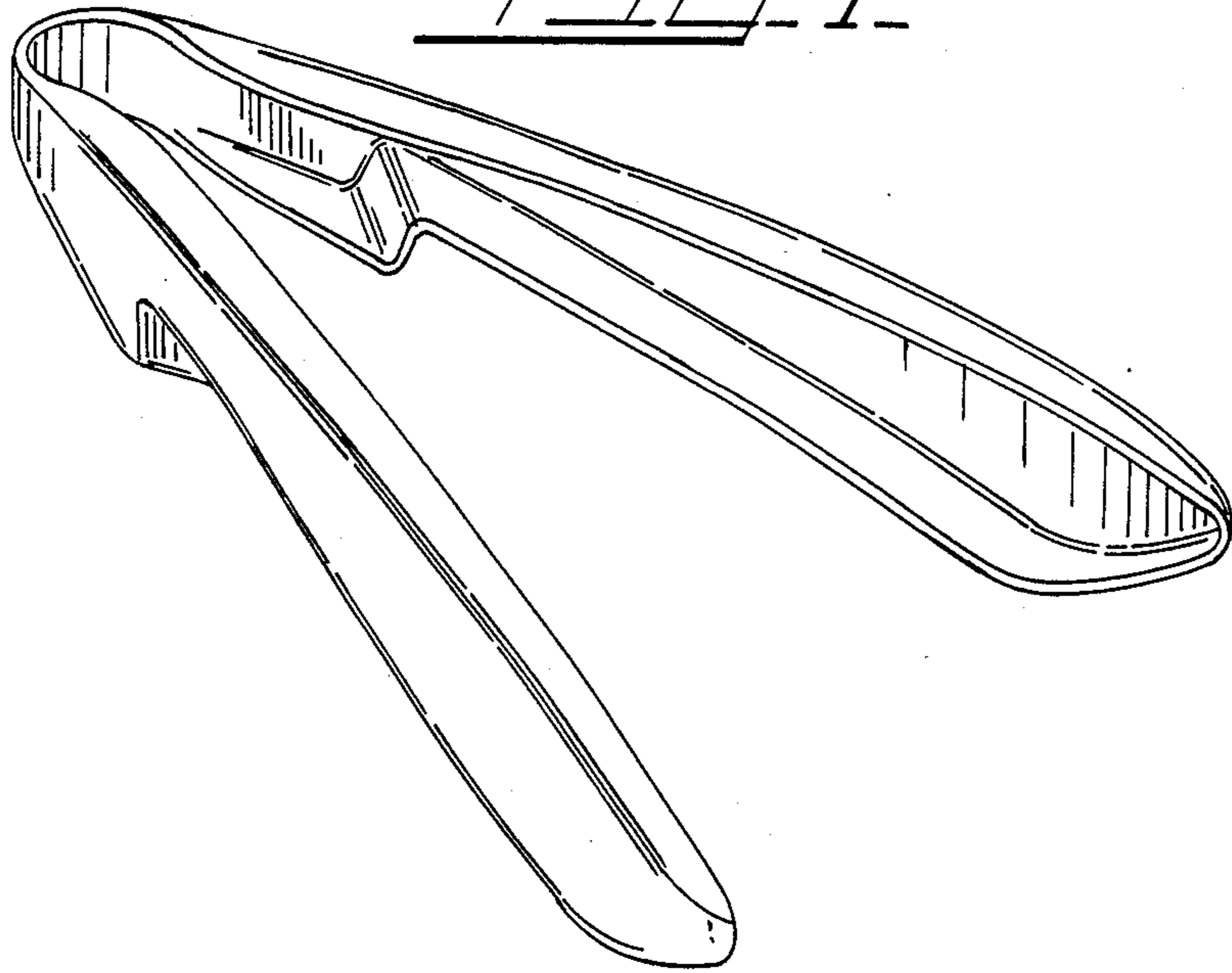


FIG. 2.

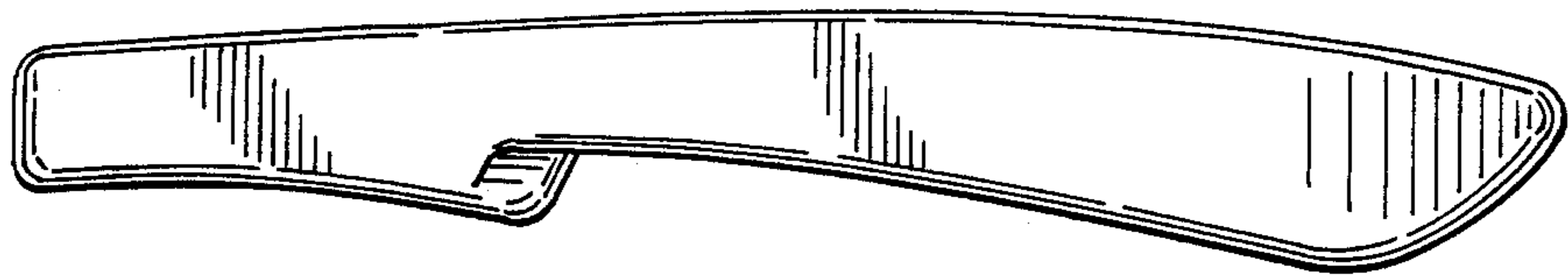


FIG. 3.

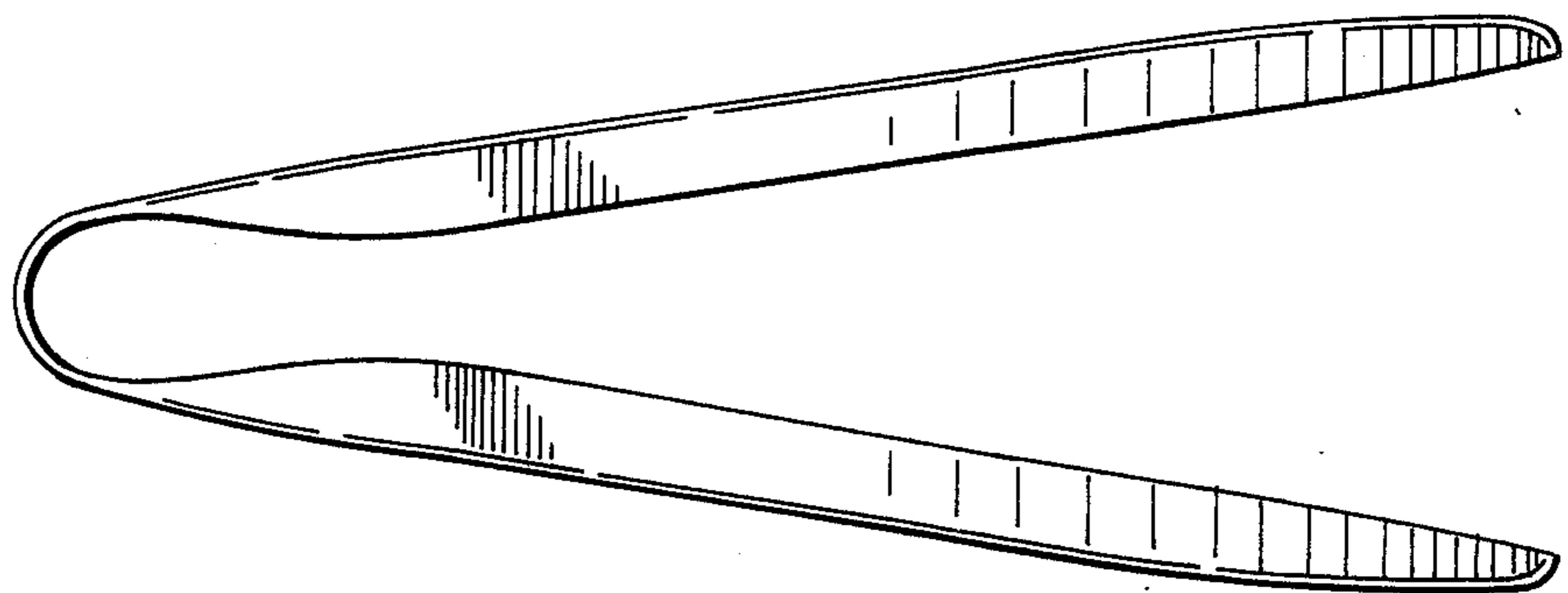


FIG. 4.

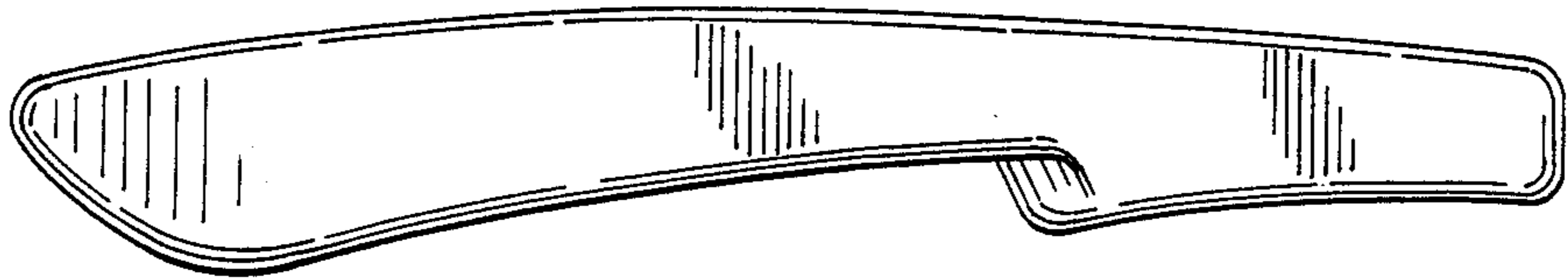


FIG. 5.

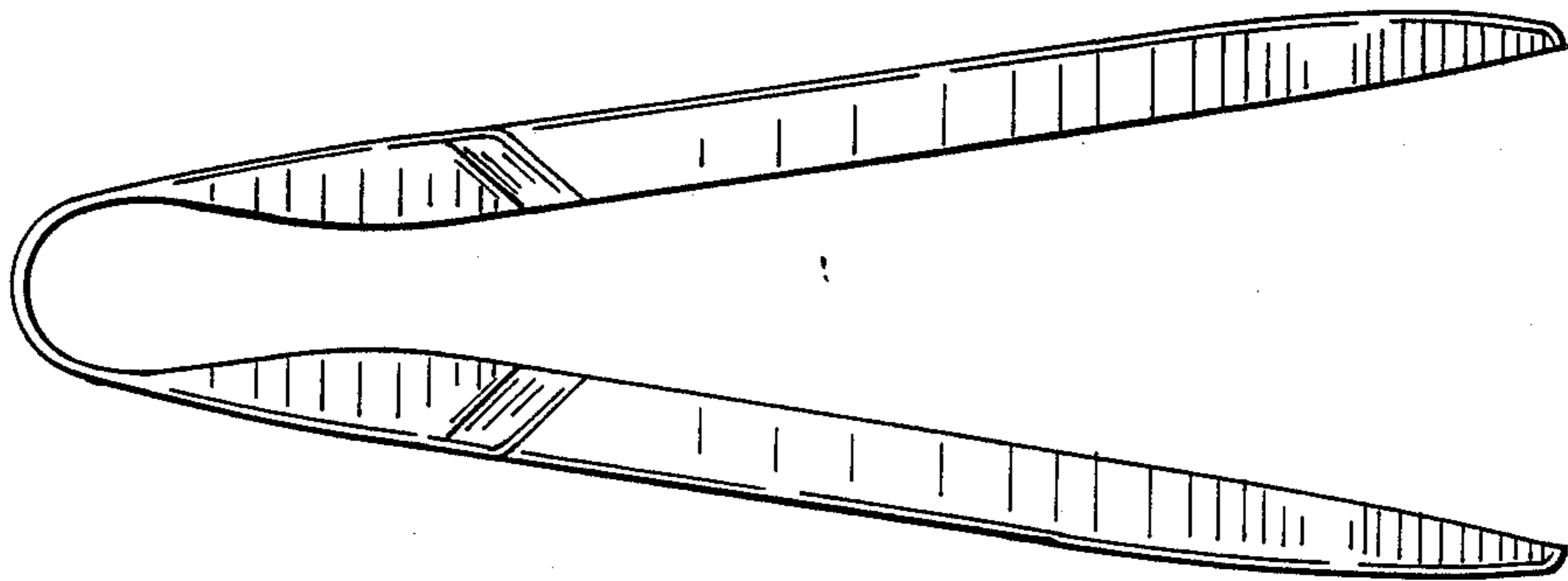


FIG. 6.

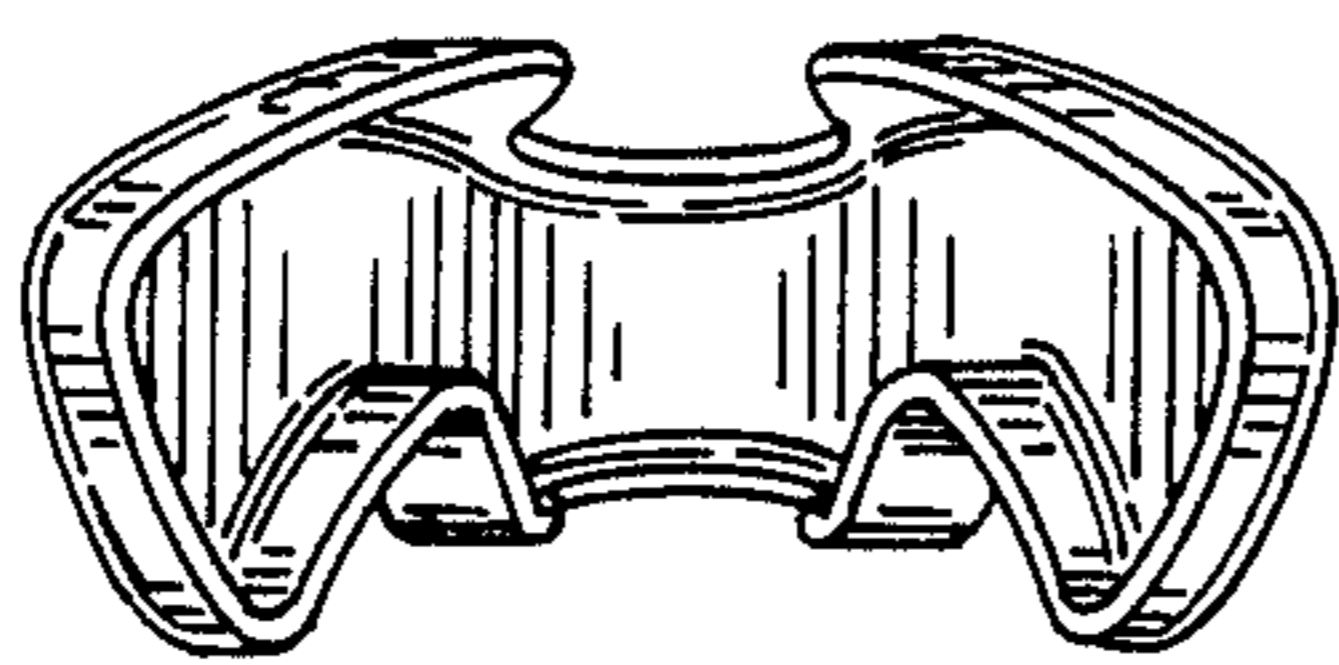


FIG. 7.

