

- [54] **COMBINED FUNNEL AND ADAPTOR**
- [75] **Inventors: Paul Brändström; Runo Nord, both of Söderhamn, Sweden**
- [73] **Assignee: Söderhamn Innovation AB, Söderhamn, Sweden**
- [**] **Term: 14 Years**
- [21] **Appl. No.: 133,873**
- [22] **Filed: Dec. 16, 1987**
- [30] **Foreign Application Priority Data**
 Jun. 16, 1987 [SE] Sweden 87-1399
- [52] **U.S. Cl. D7/590; D9/435; D9/447; D23/200**
- [58] **Field of Search D7/68; D9/447, 434, D9/499, 435; D23/200; D15/199; 141/331, 334-335, 297-300, 94-95; 222/460, 462**

- [56] **References Cited**
U.S. PATENT DOCUMENTS
 953,065 3/1910 Smith 141/95 X
 2,771,913 11/1956 Flasnöcker 141/331 X
 4,273,166 6/1981 Bradley 141/340 X

Primary Examiner—Charles A. Rademaker
Assistant Examiner—Terry A. Pfeffer
Attorney, Agent, or Firm—McFadden, Fincham Marcus & Allen

[57] **CLAIM**
 The ornamental design for a combined funnel and adaptor, as shown and described.

DESCRIPTION
 FIG. 1 is a top, front perspective view of a combined funnel and adaptor showing our new design; and FIG. 2 is a bottom, front perspective view thereof, the remaining sides being a mirror image.

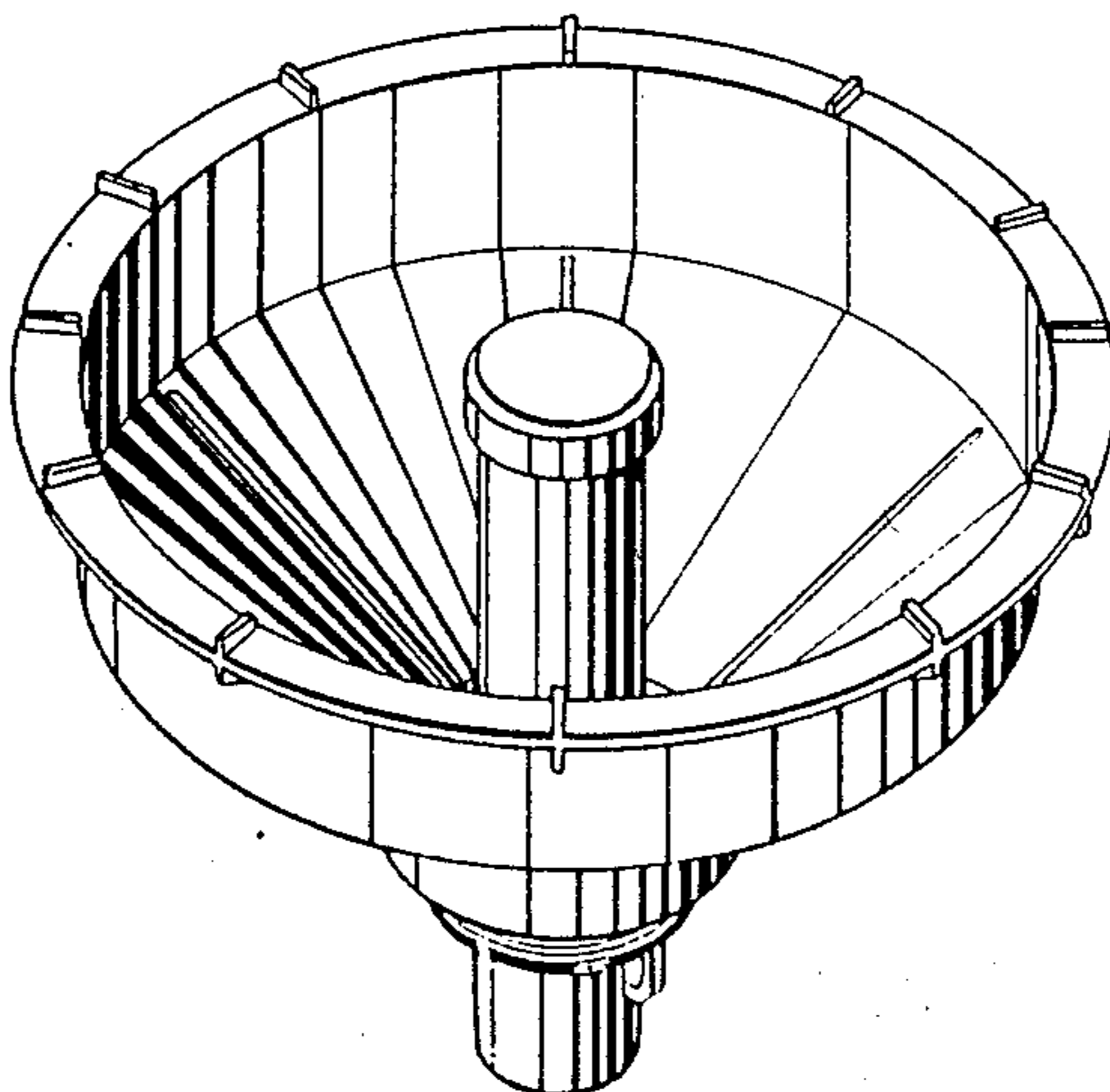


Fig.1

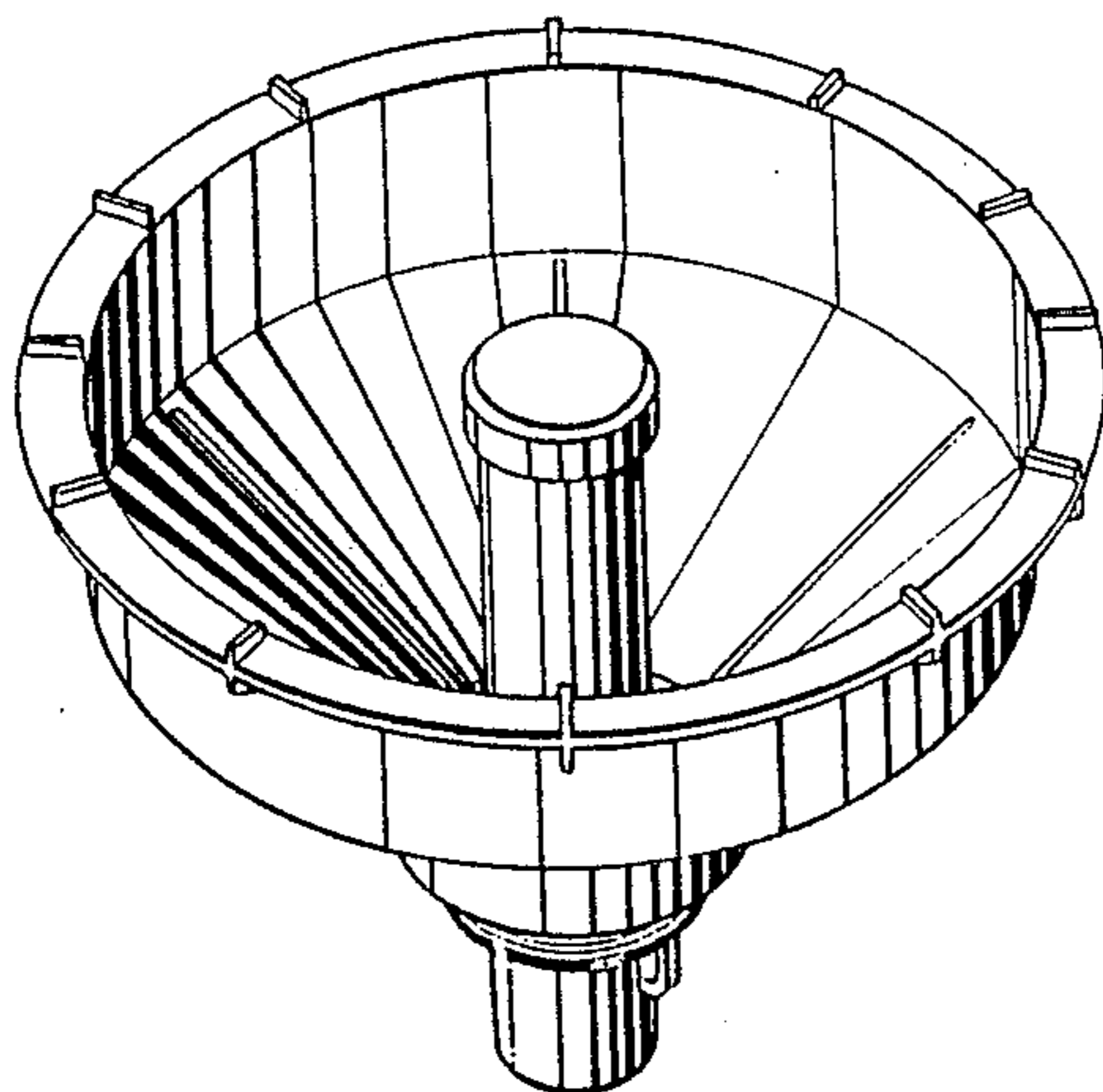


Fig.2

