

[54] CONTAINER FOR A RESUSCITATION MASK

[76] Inventor: Robert M. Sanfilippo, 3424 Alice St., Los Angeles, Calif. 90065

[\*\*] Term: 14 Years

[21] Appl. No.: 139,039

[22] Filed: Dec. 29, 1987

[52] U.S. Cl. .... D6/559

[58] Field of Search ..... D6/512, 553, 559-561, D6/470, 436, 449; D29/6-9, 1, 3, 5; 248/75, 80; 312/100-102, 114, 210, 209, 263

[56] References Cited

U.S. PATENT DOCUMENTS

D. 126,208	4/1941	Johnson et al. ....	D6/470
D. 239,685	4/1976	Peterson .....	D6/470 X
D. 257,091	9/1980	Crosbie, Jr. ....	D29/5 X
D. 289,207	4/1987	Drews .....	D29/6
3,998,509	12/1976	Hauser .....	312/263
4,184,724	1/1980	Katz et al. ....	312/209
4,660,902	4/1987	Rescudoz, Jr. ....	312/114

FOREIGN PATENT DOCUMENTS

656628 3/1979 U.S.S.R. .... D29/7

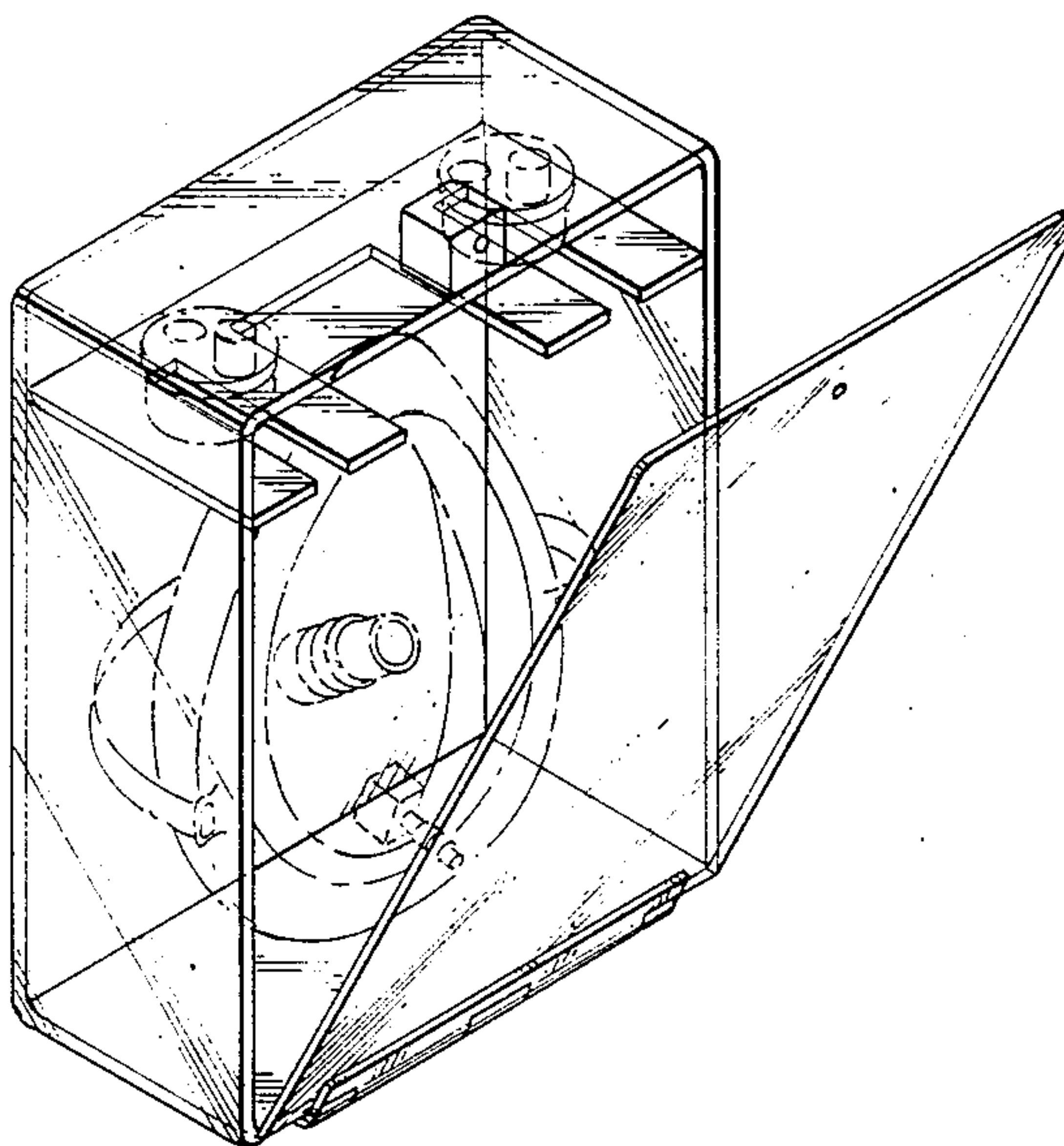
Primary Examiner—Wallace R. Burke  
Assistant Examiner—Brian N. Vinson  
Attorney, Agent, or Firm—Frederick Gotha

[57] CLAIM

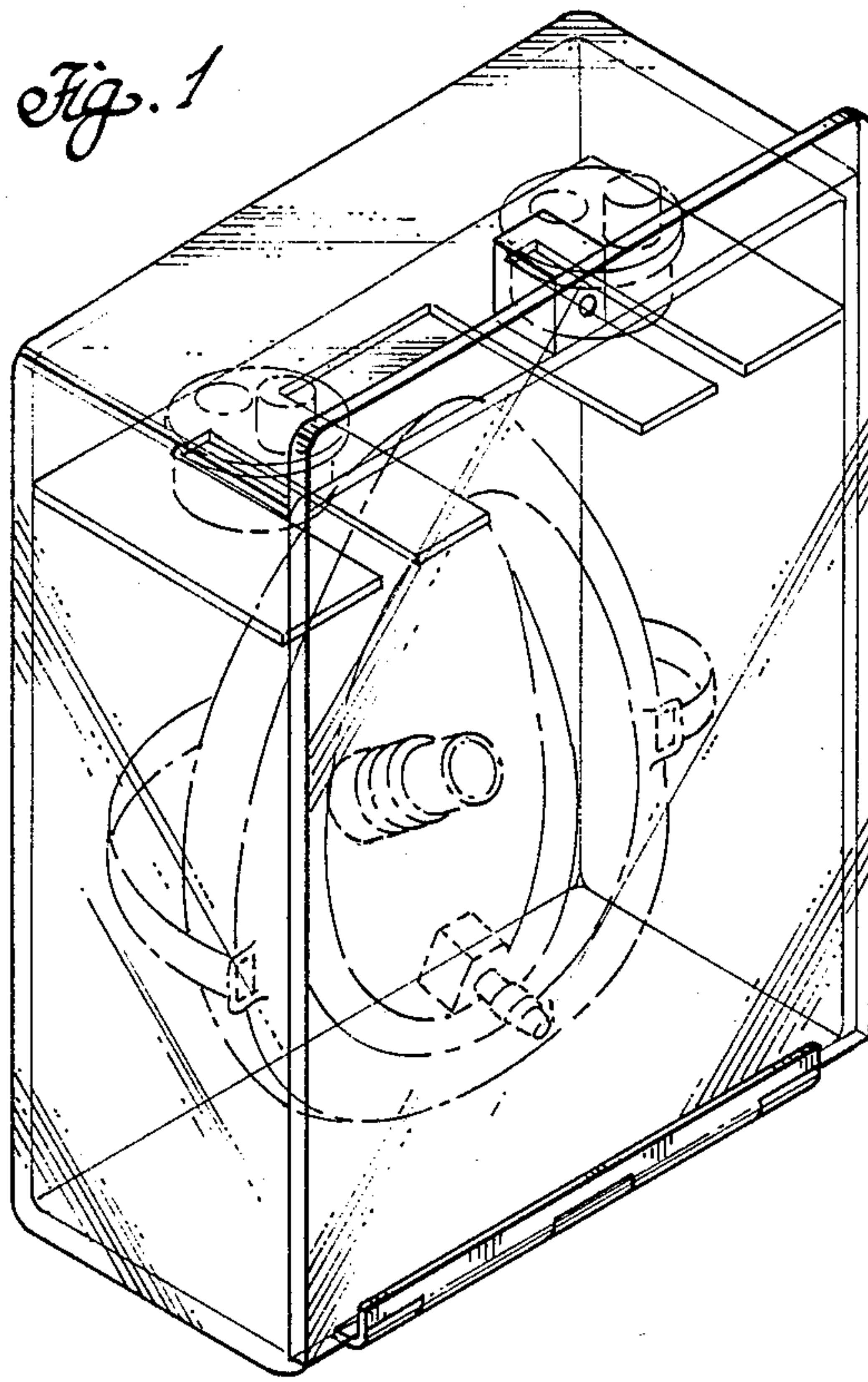
The ornamental design for a container for a resuscitation mask, as shown and described.

DESCRIPTION

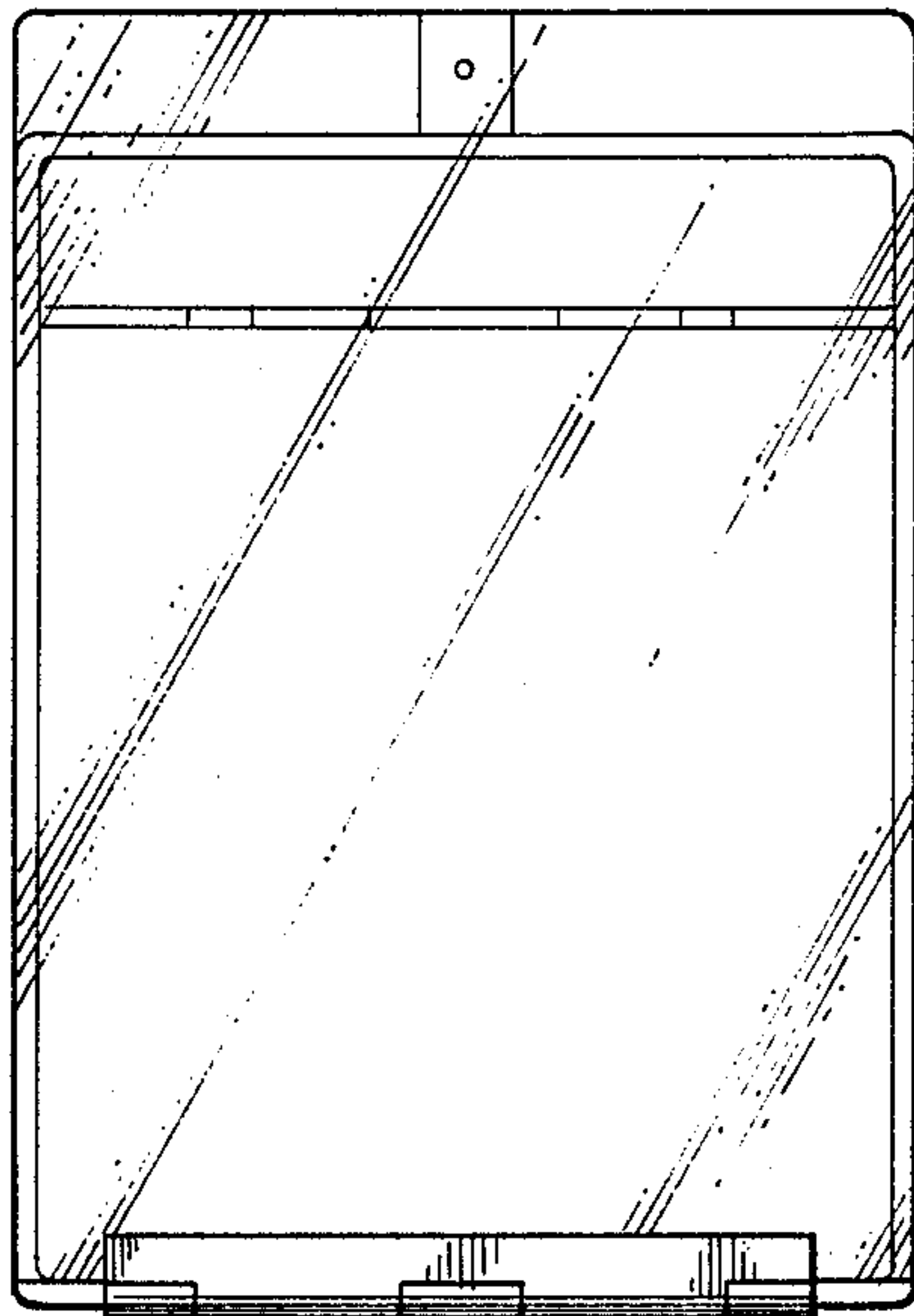
FIG. 1 is a perspective view of a container for a resuscitation mask showing my new design; FIG. 2 is a front elevational view thereof; FIG. 3 is a right side elevational view thereof, the left side being a mirror image of that shown; FIG. 4 is a rear elevational view thereof; FIG. 5 is a top plan view thereof; FIG. 6 is a bottom plan view thereof; and FIG. 7 is a perspective view thereof, showing the container in an open position. The broken-line disclosure of the resuscitation mask in FIGS. 1 and 7 is for illustrative purposes only and forms no part of the claimed design.



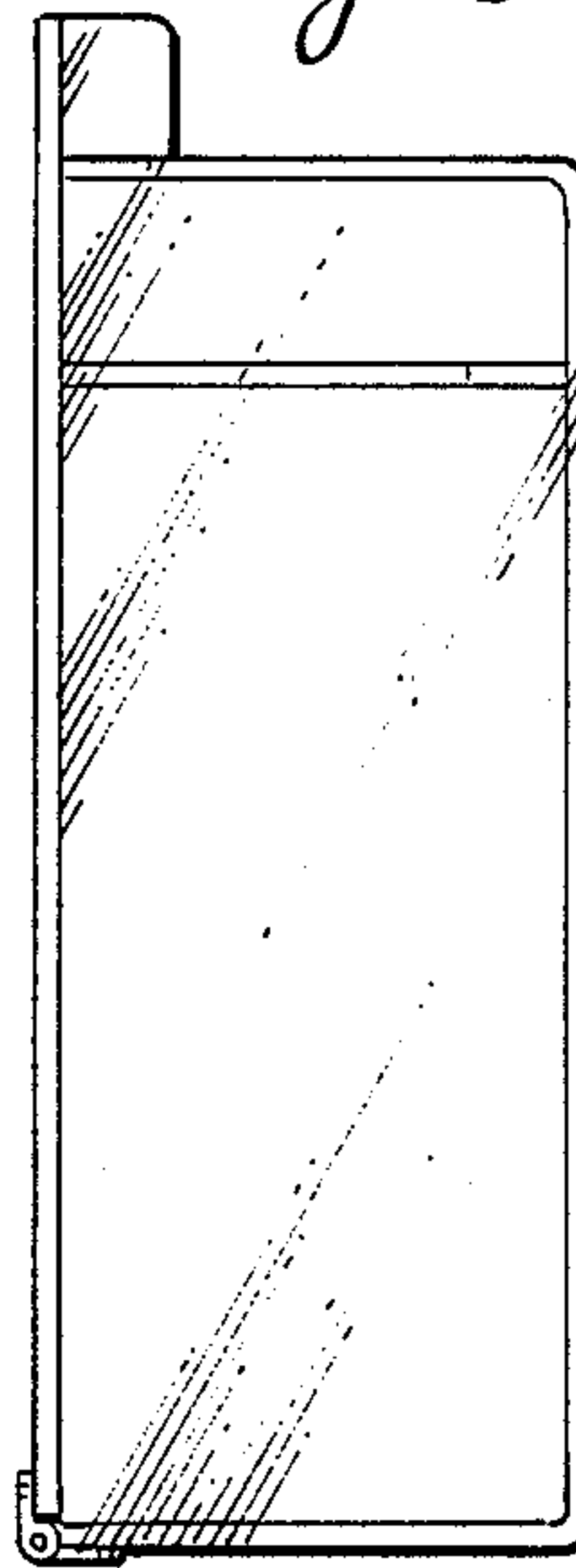
*Fig. 1*



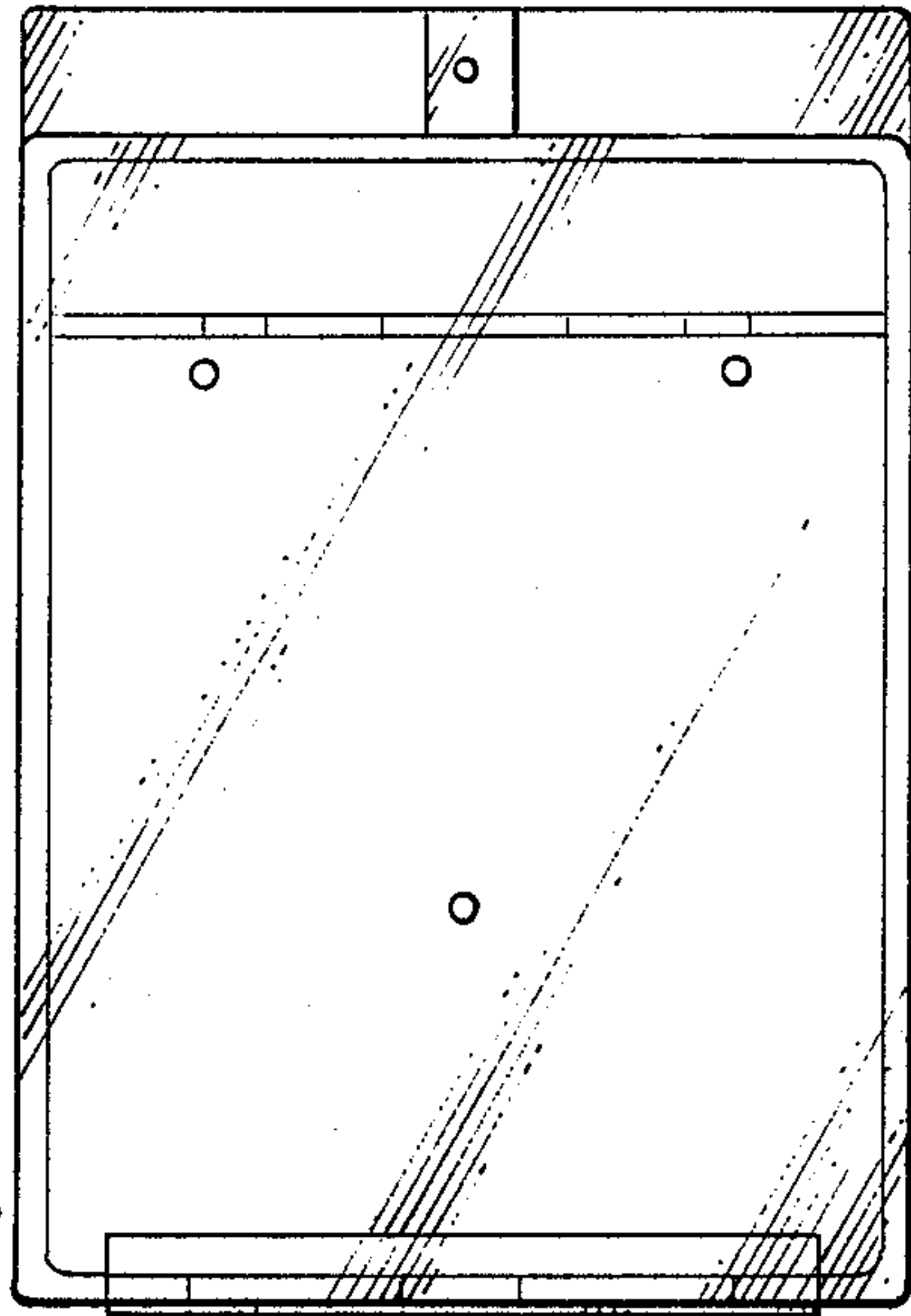
*Fig. 2*



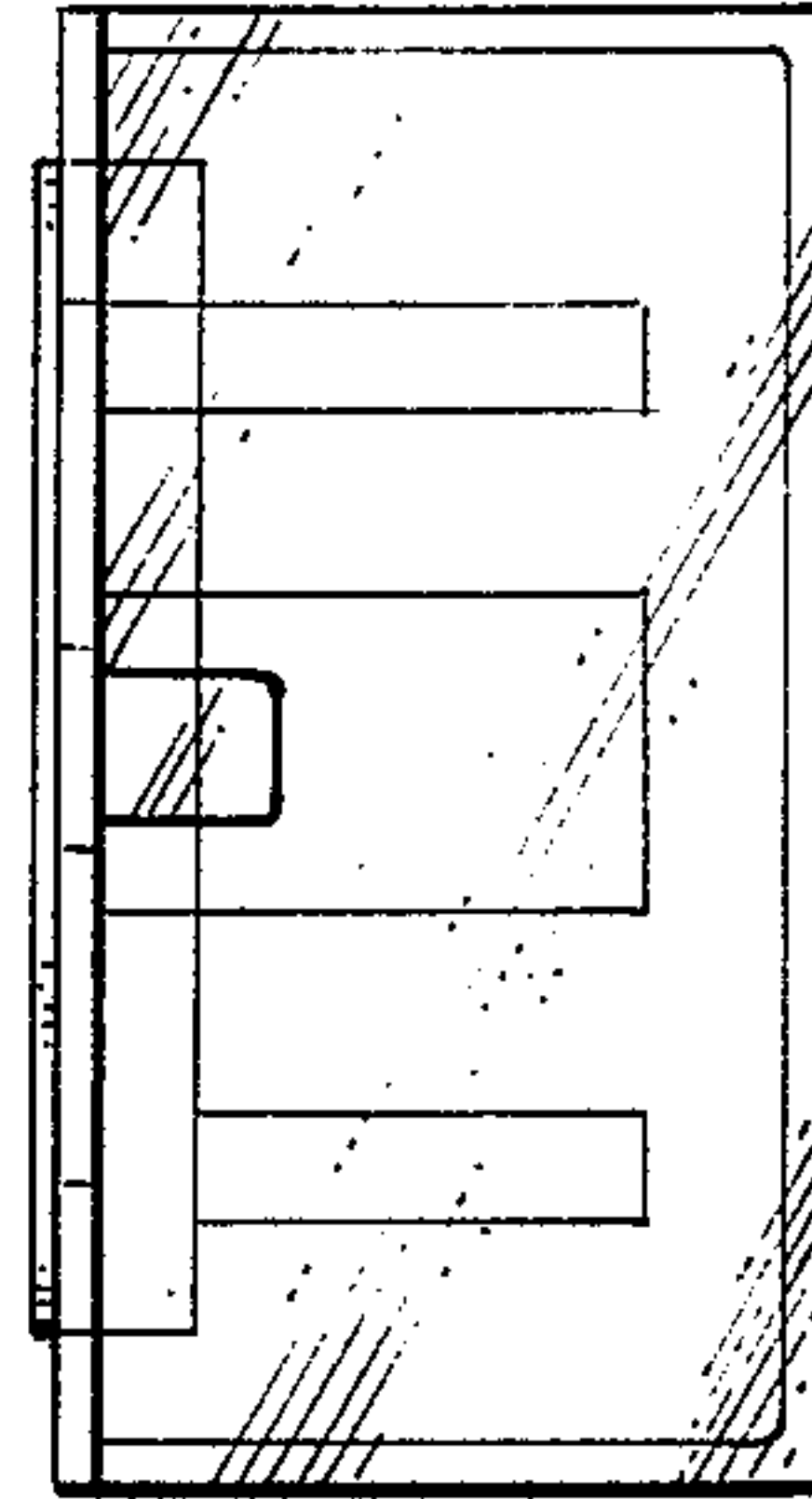
*Fig. 3*



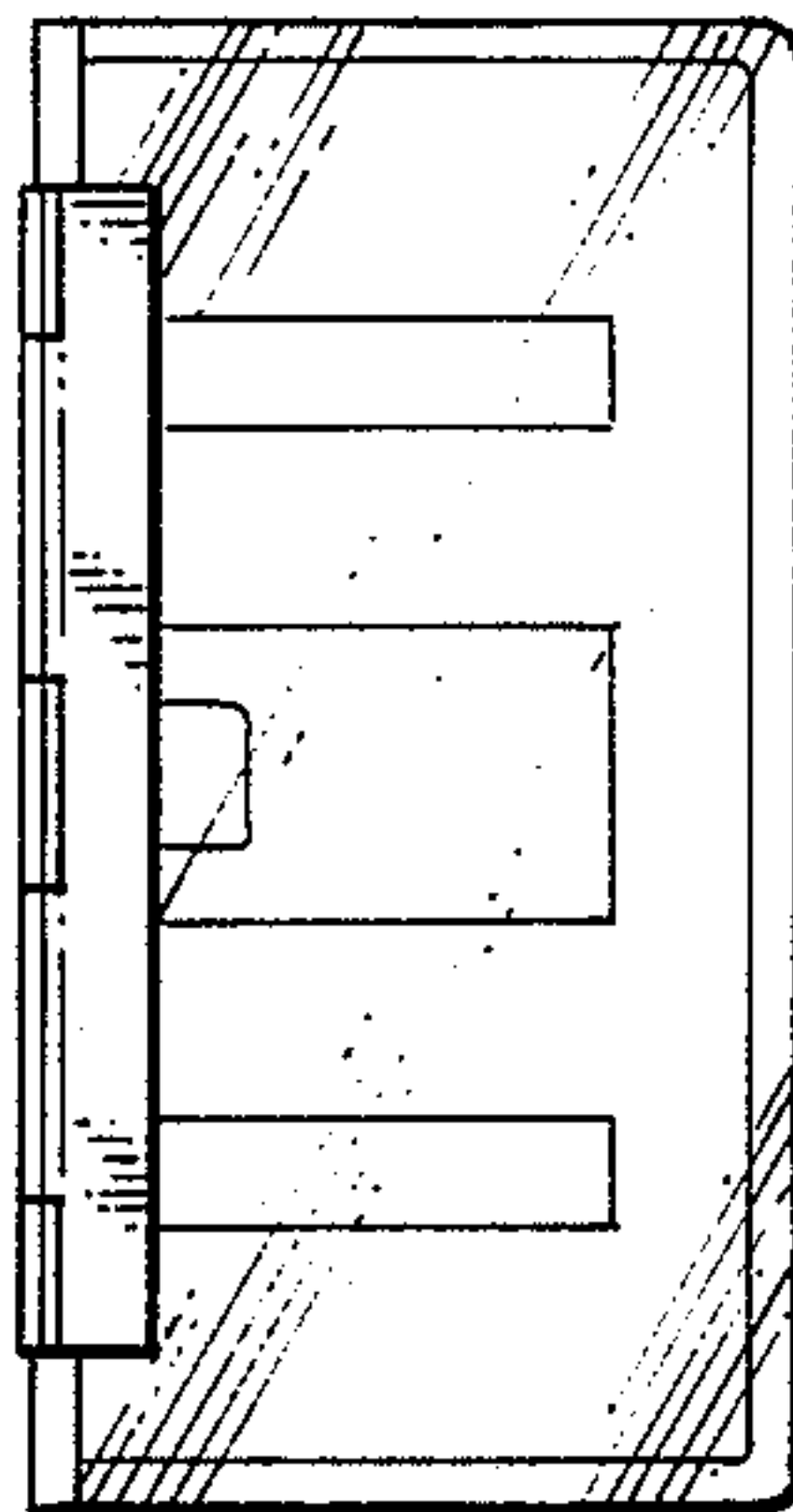
*Fig. 4*



*Fig. 5*



*Fig. 6*



*Fig. 7*

