

[54] **SUPPORT FOR ROLLS OF PAPER**

[75] **Inventor: Francesco C. Lucchini, Turin, Italy**

[73] **Assignee: Carrara & Matta S.p.A., Turin, Italy**

[\*\*] **Term: 14 Years**

[21] **Appl. No.: 81,373**

[22] **Filed: Aug. 3, 1987**

[52] **U.S. Cl. .... D6/518**

[58] **Field of Search ..... D6/512, 515, 518, 521-523; 242/55.2, 55.3, 55.42**

[56] **References Cited**

**U.S. PATENT DOCUMENTS**

D. 153,156	3/1949	Mankki .....	D6/522
D. 178,568	8/1956	Howrilka .....	D6/522
D. 260,061	8/1981	Smith .....	D6/521
D. 297,895	10/1988	Mattei .....	D6/521
4,556,160	12/1986	Kurz et al. ....	242/55.2 X

*Primary Examiner*—Wallace R. Burke  
*Assistant Examiner*—Brian N. Vinson  
*Attorney, Agent, or Firm*—Sughrue, Mion, Zinn, Macpeak & Seas

[57] **CLAIM**

The ornamental design for a support for rolls of paper, as shown and described.

**DESCRIPTION**

FIG. 1 is a perspective view of a support for rolls of paper showing my new design, the broken-line showing of the paper roll being for illustrative purposes only and forming no part of the claimed design;

FIG. 2 is a front elevational view thereof;

FIG. 3 is a top plan view thereof;

FIG. 4 is a rear elevational view thereof;

FIG. 5 is a right side elevational view thereof;

FIG. 6 is a left side elevational view thereof; and

FIG. 7 is a bottom plan view thereof.

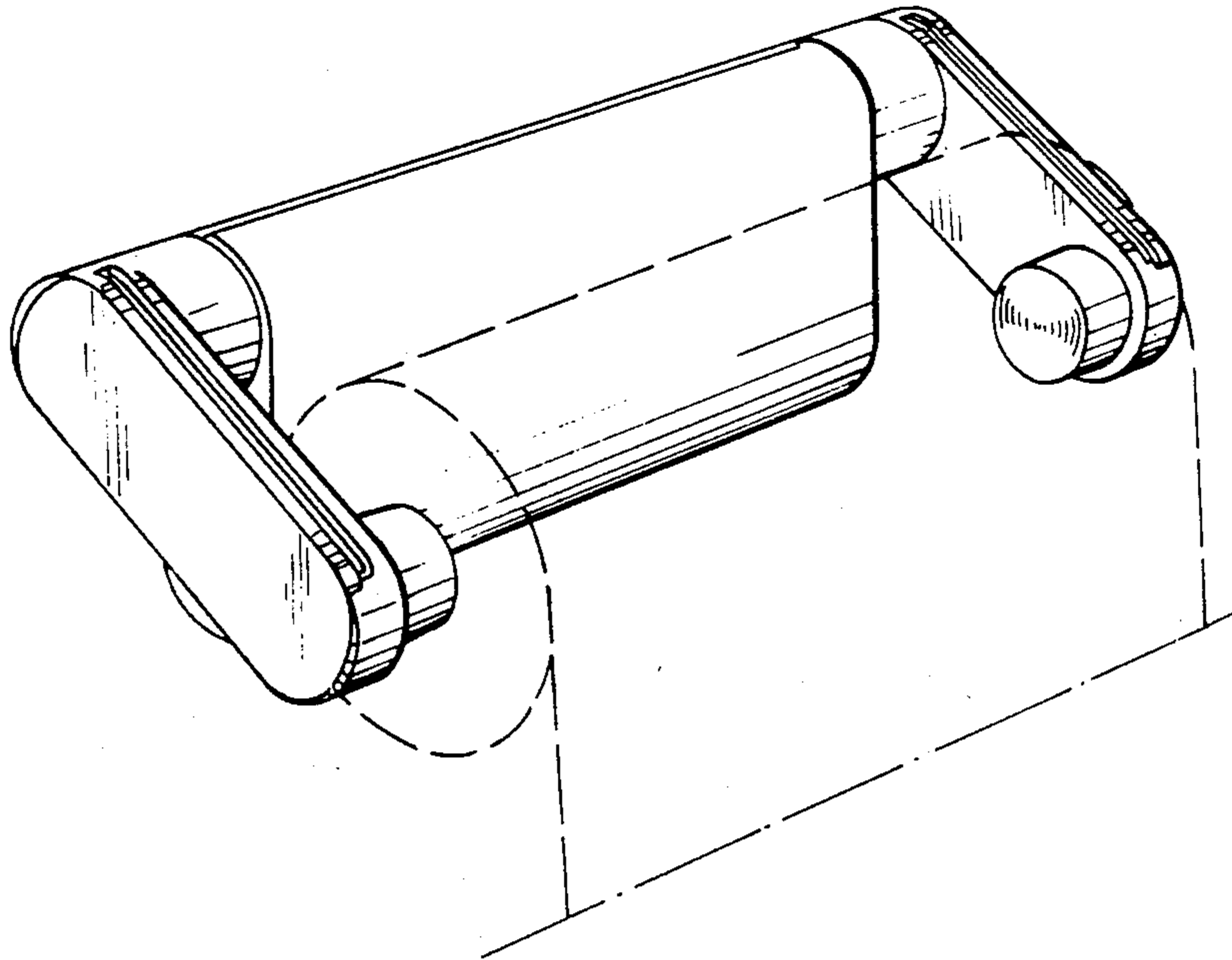


FIG. 1

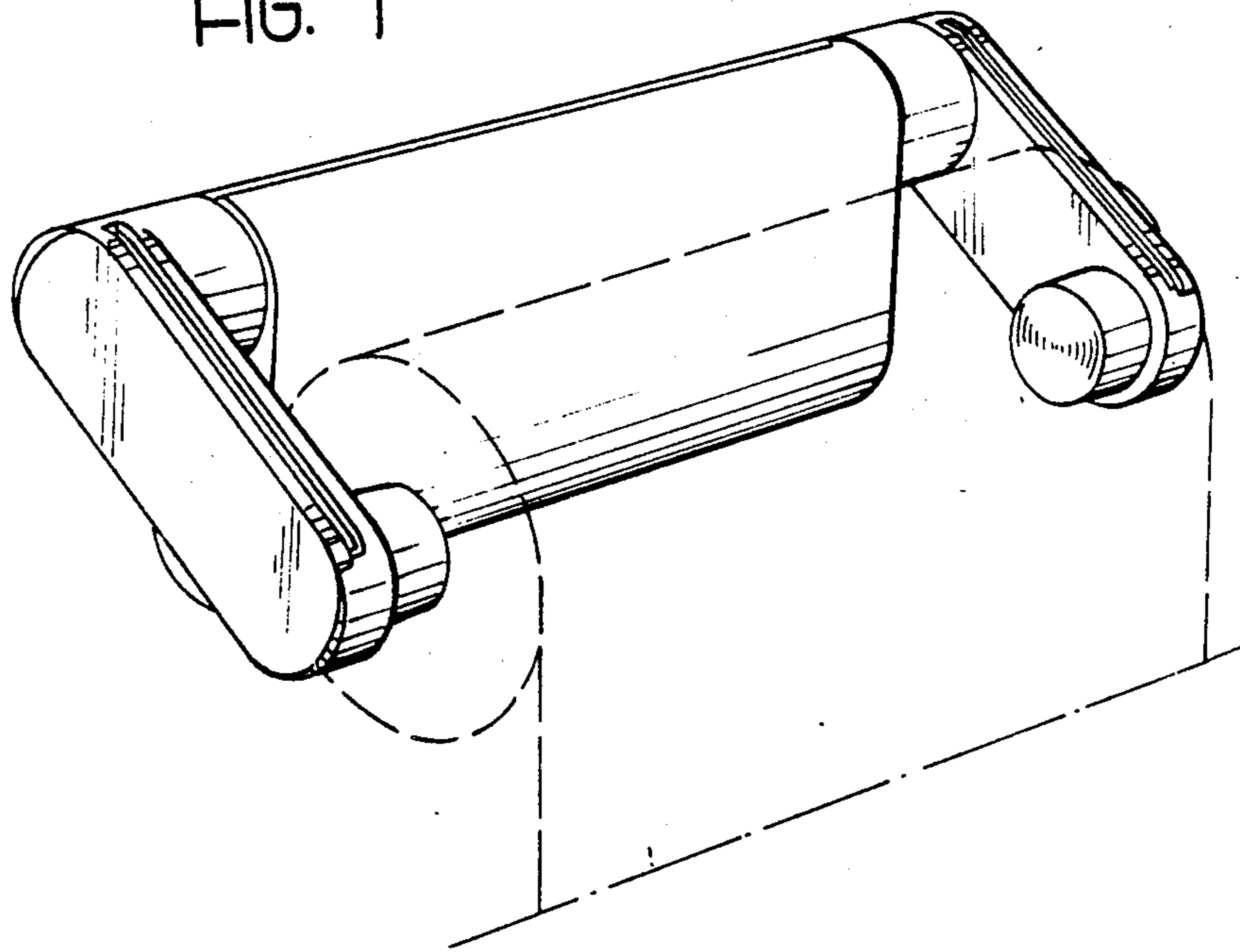


FIG. 2

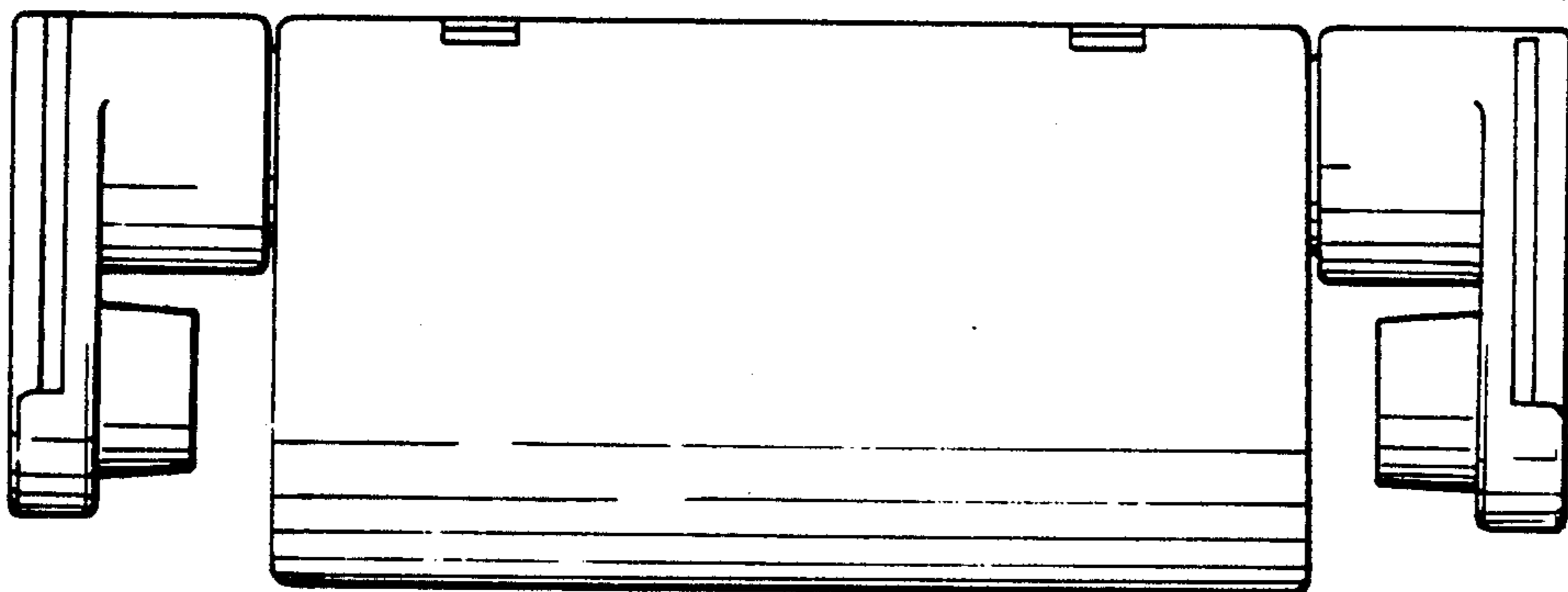


FIG. 3

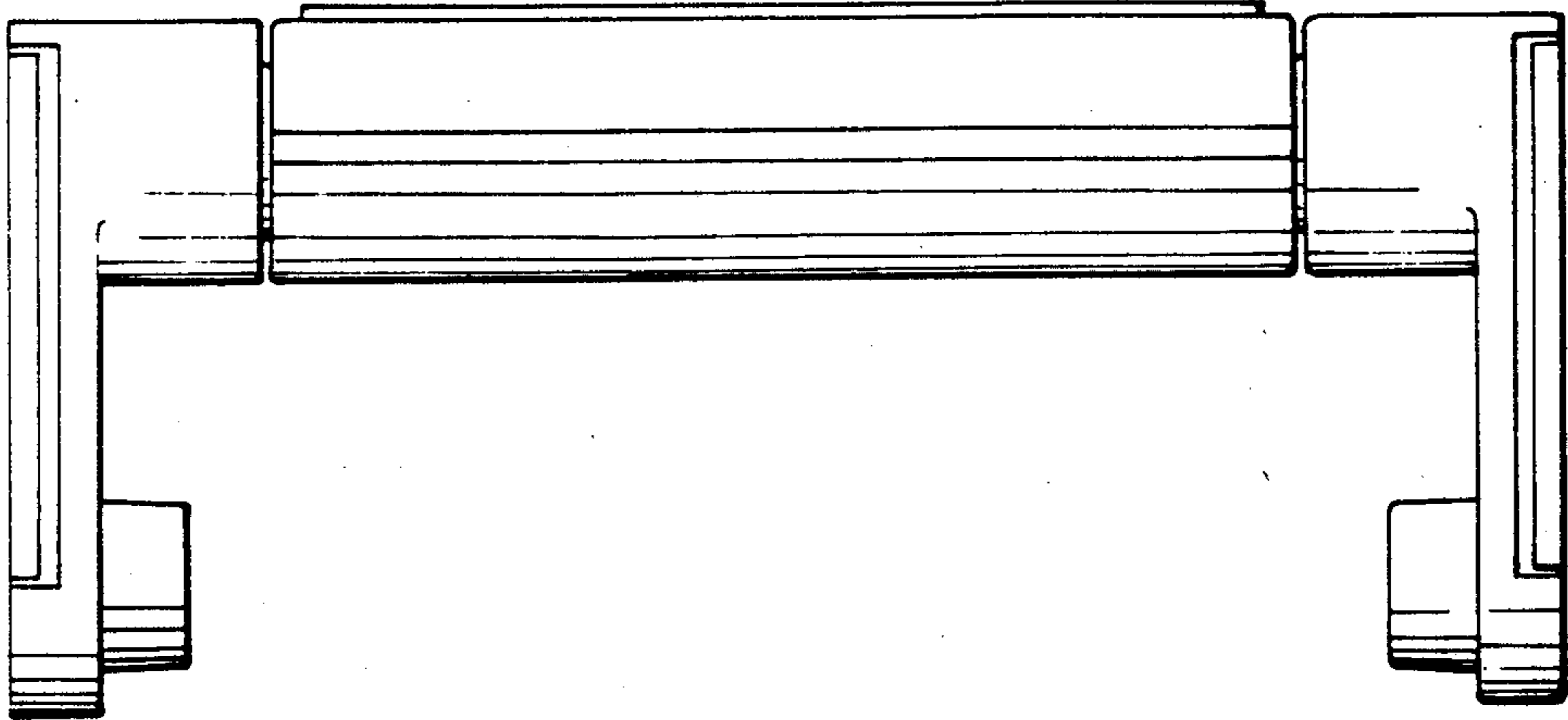


FIG. 4

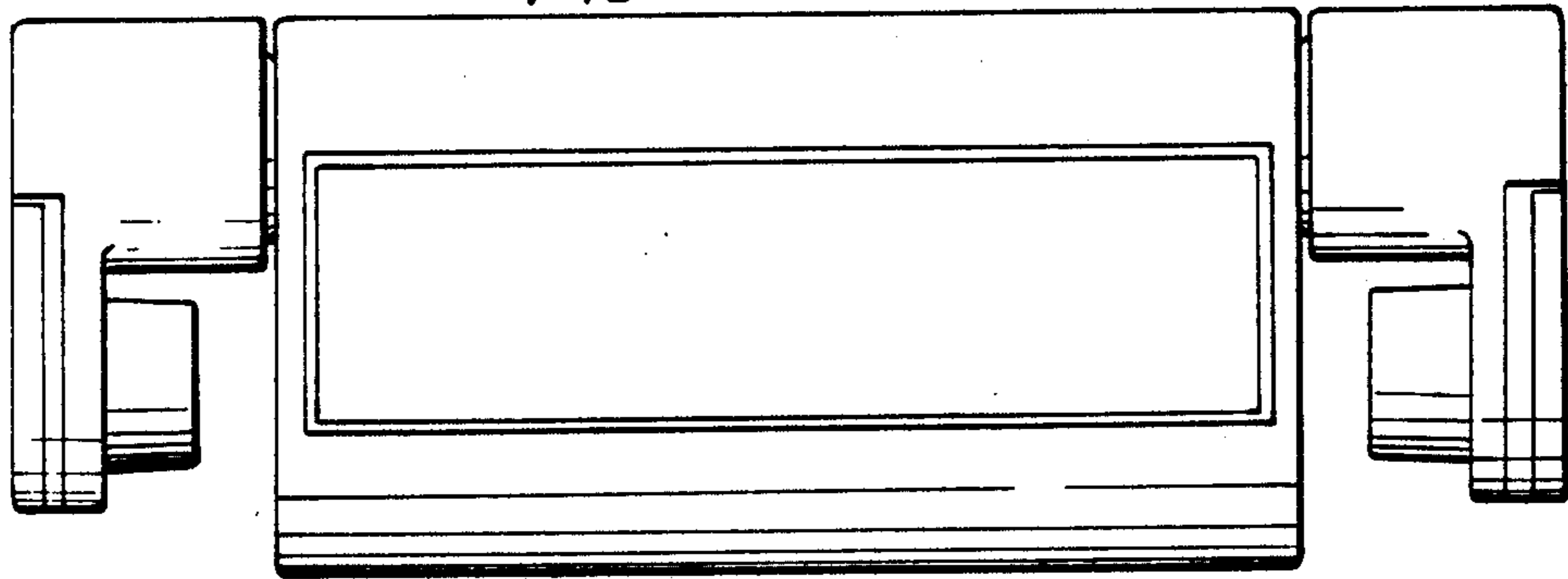


FIG. 5

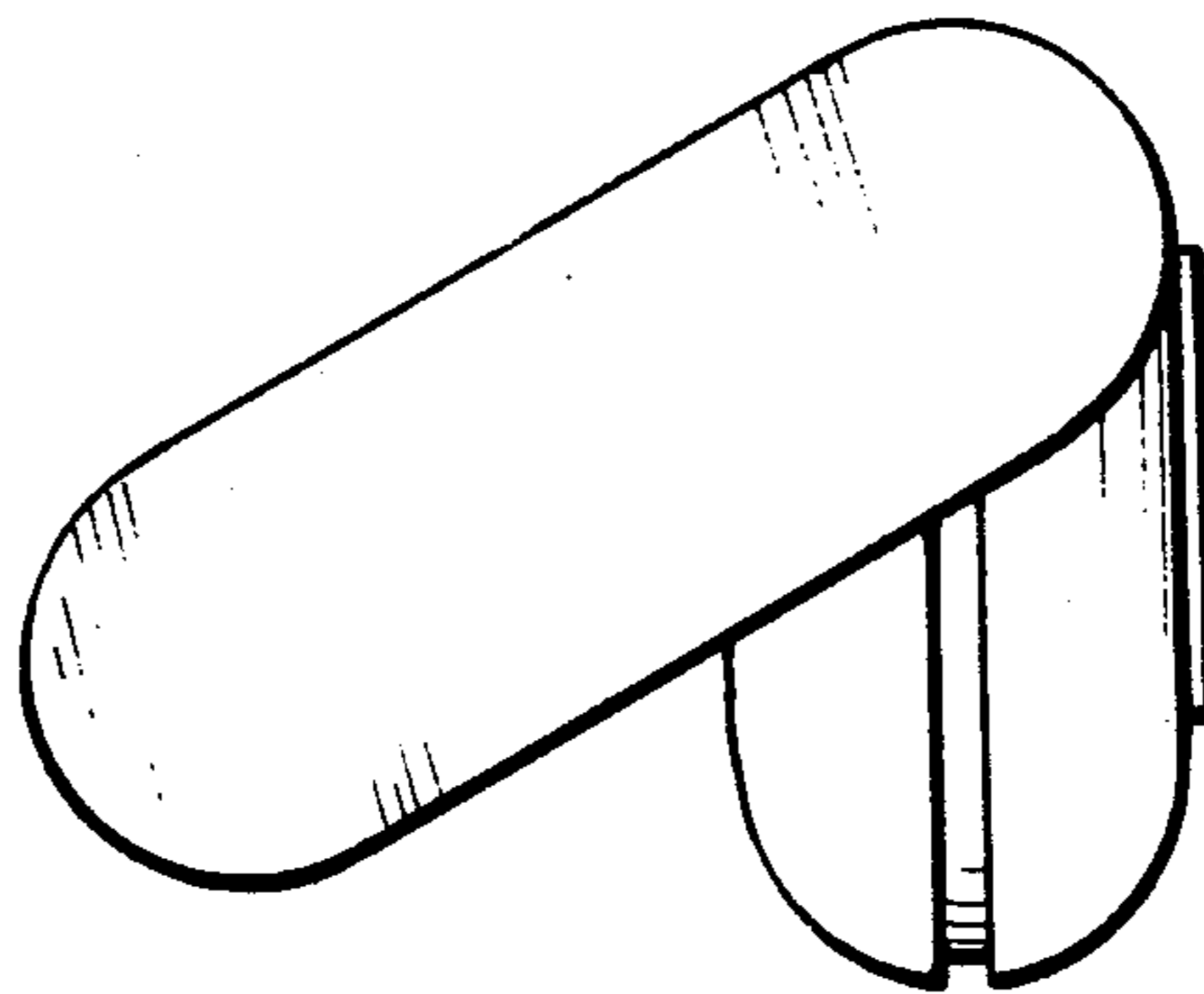


FIG. 7

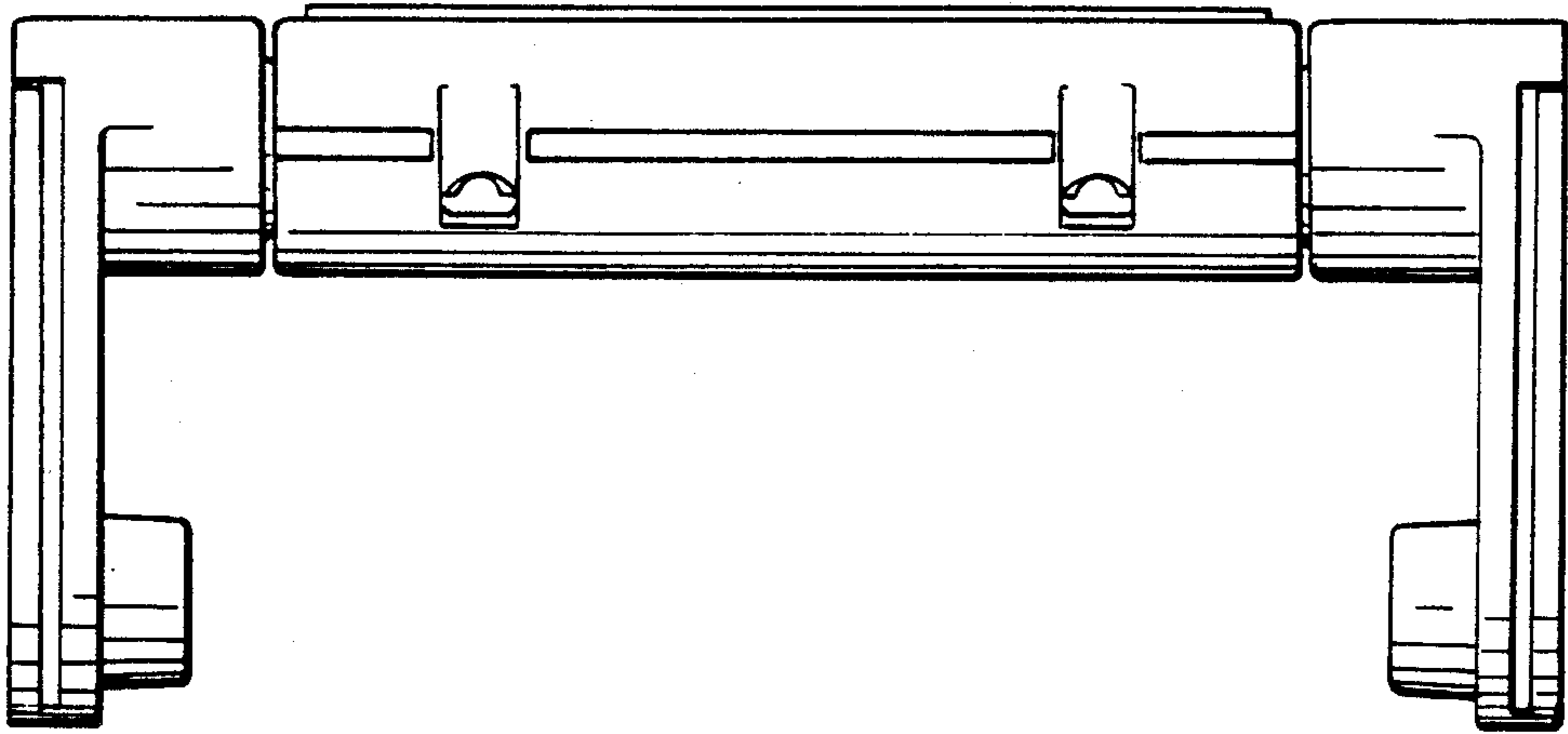


FIG. 6

