

[54] SHOWER SHELF

[76] Inventor: Armando Urena, 10630 Shellyfield Rd., Downey, Calif. 90241

[**] Term: 14 Years

[21] Appl. No.: 106,311

[22] Filed: Oct. 8, 1987

[52] U.S. Cl. D6/513; D6/574; D6/525

[58] Field of Search D6/512-514, D6/567, 574; 108/42, 50, 106, 144; 211/86, 113, 117

[56] References Cited

U.S. PATENT DOCUMENTS

D. 250,305	11/1978	Primiano et al.	D6/574
D. 270,977	10/1983	Kneale, III	D6/514
D. 273,446	4/1984	Rankin et al.	D6/514
D. 293,533	1/1988	DiSesa	D6/574

Primary Examiner—Wallace R. Burke
Assistant Examiner—Brian N. Vinson
Attorney, Agent, or Firm—Dominick Nardelli

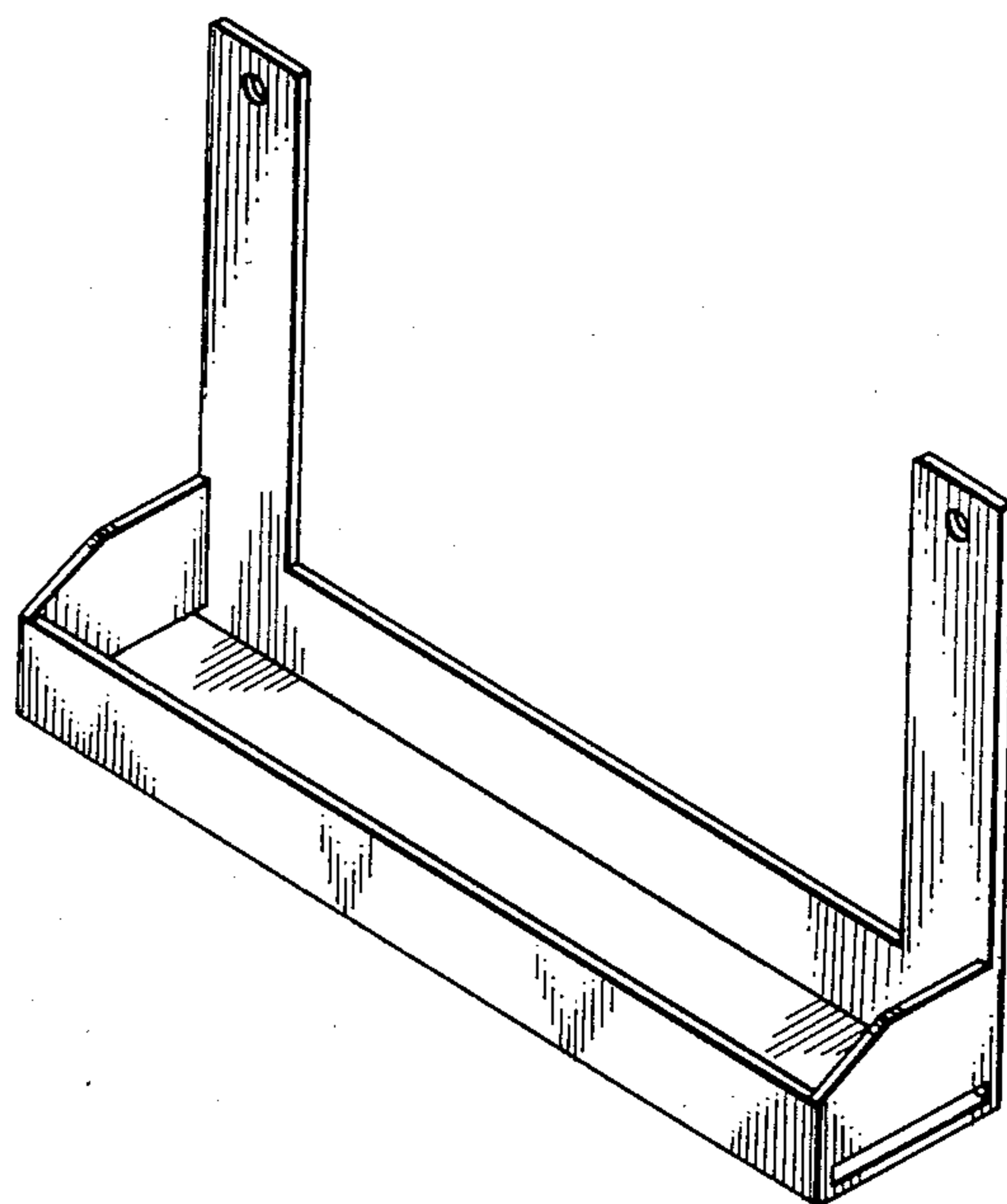
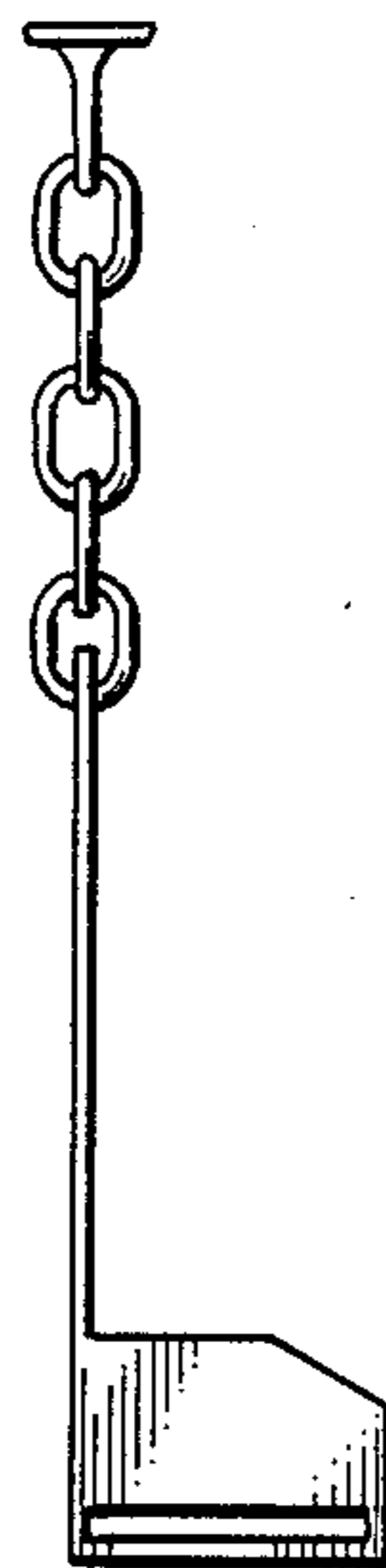
[57] CLAIM

The ornamental design for a shower shelf, as shown and described.

DESCRIPTION

FIG. 1 is a front elevational view of a shower shelf showing my new design, the broken-line depiction of the ceiling portion being for illustrative purposes only and forming no part of the claimed design; FIG. 2 is a left side elevational view thereof, the right side being a mirror image of that shown; FIG. 3 is a bottom plan view thereof; FIG. 4 is a top plan view thereof; FIG. 5 is a rear elevational view thereof; and FIG. 6 is a top, front and right side perspective view thereof.

The chain and hook elements are omitted from FIGS. 3-6 for clarity of illustration.



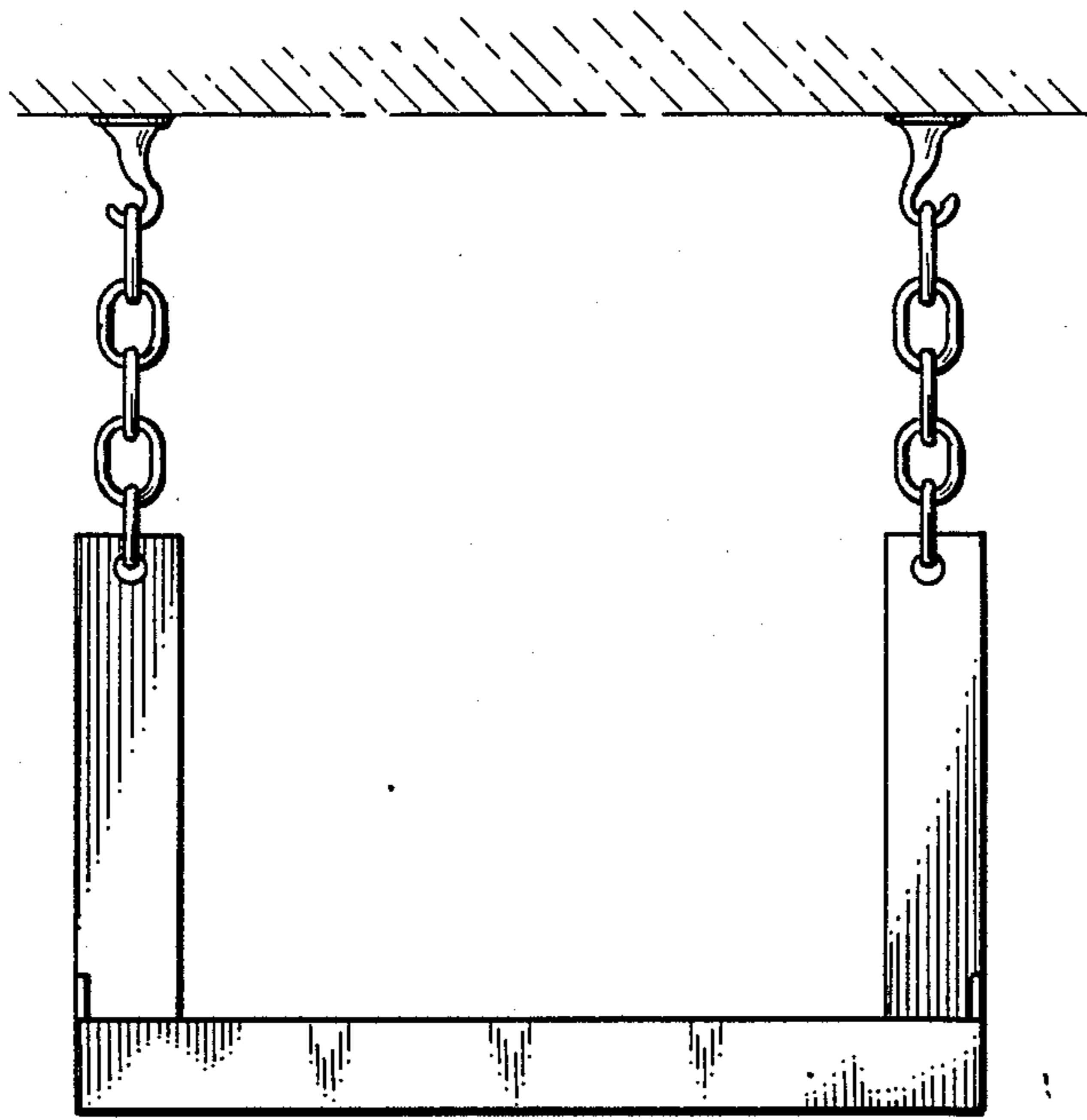


Fig. 1

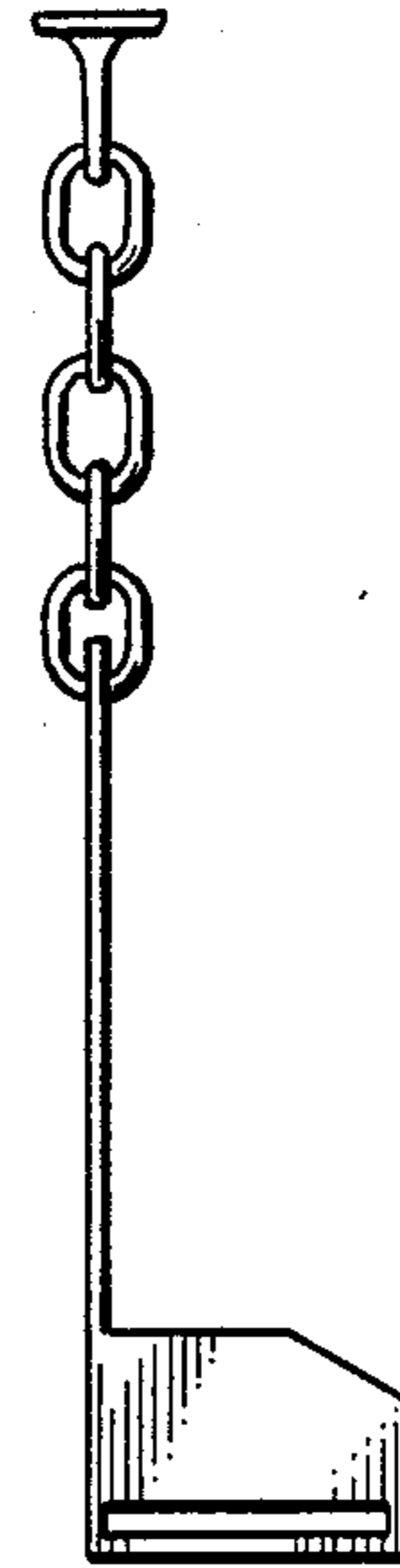


Fig. 2

Fig. 3

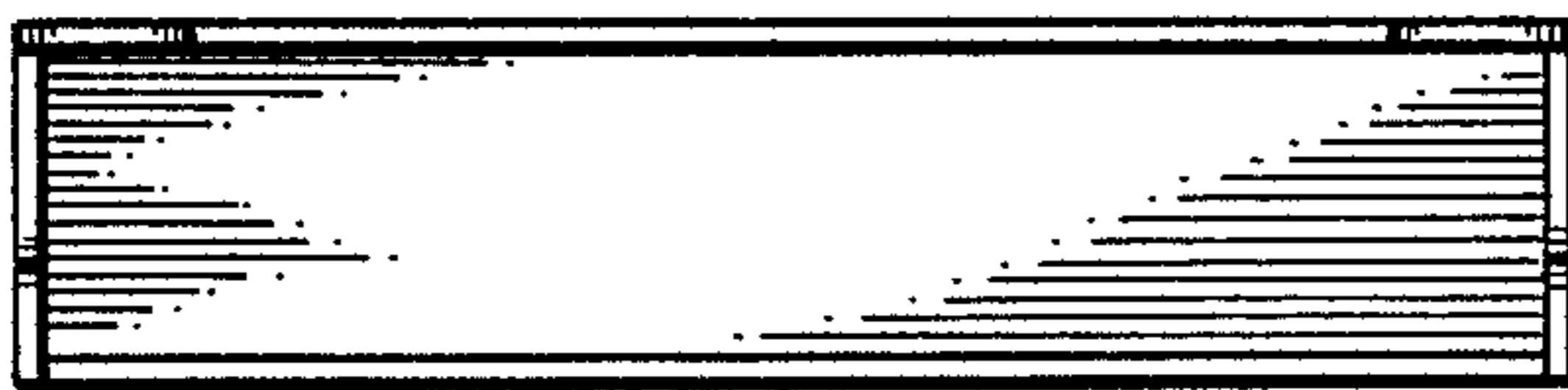
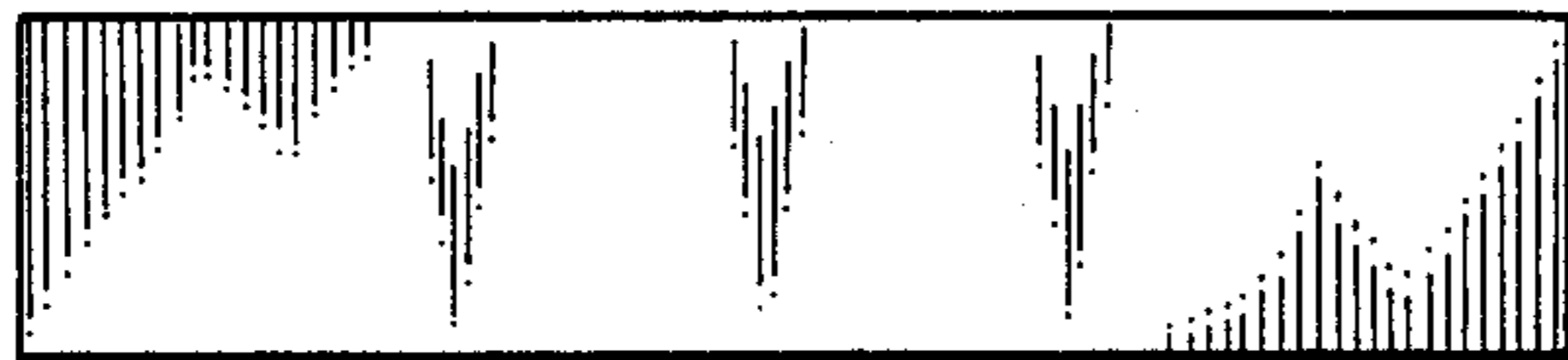
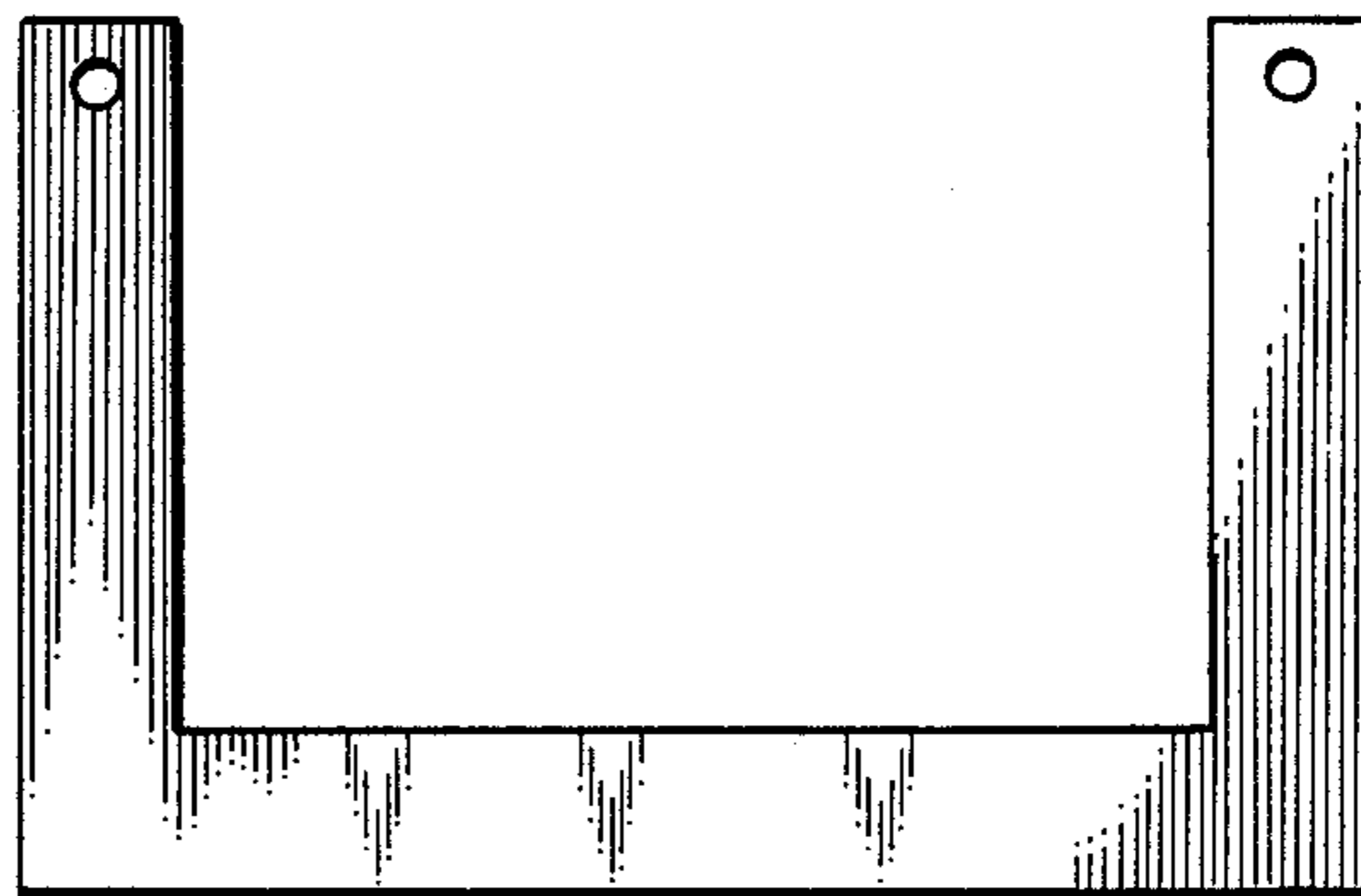


Fig. 4

Fig. 5



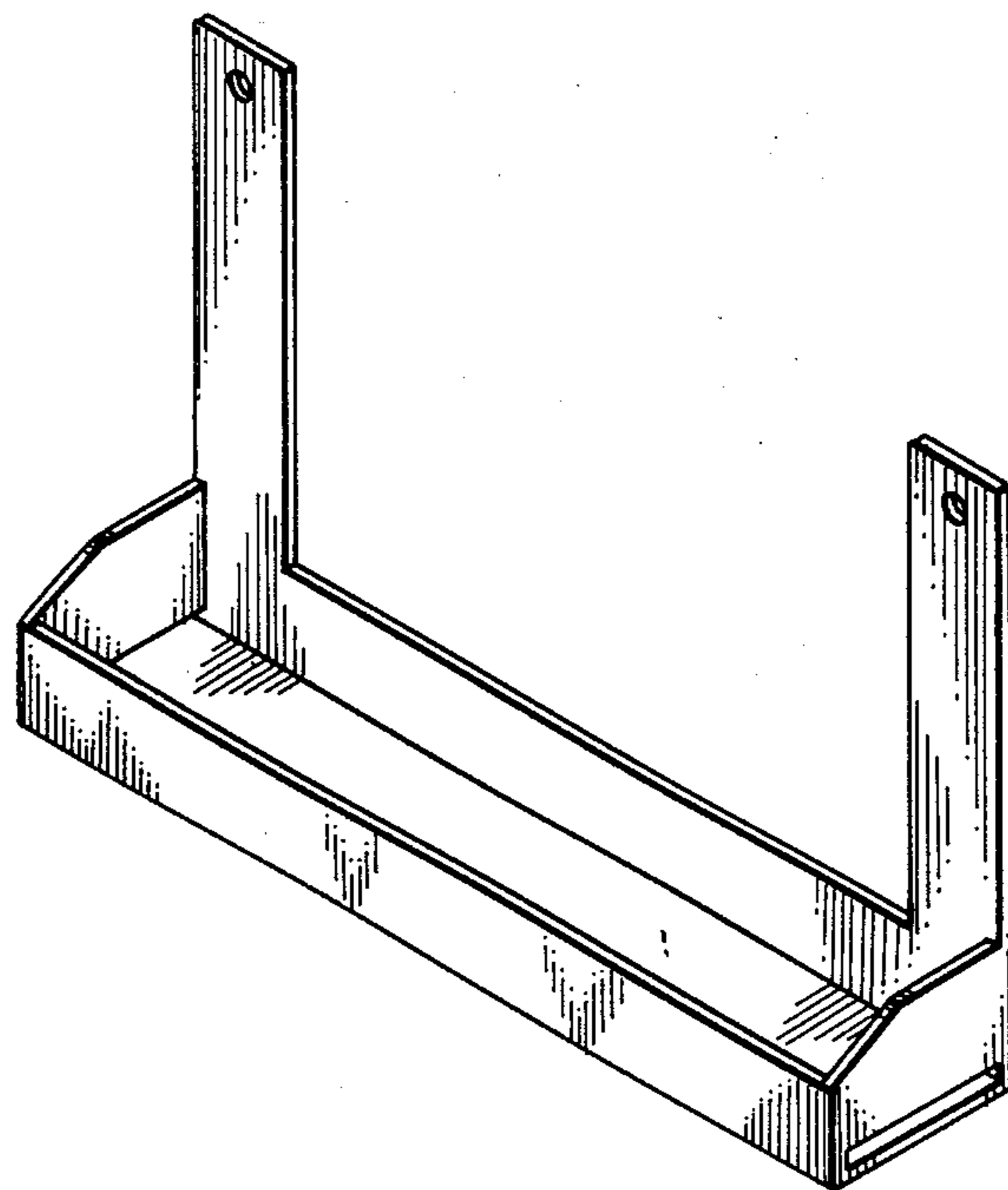


FIG. 6