

[54] **HUTCH MIRROR**

[75] **Inventors: Jericho P. Pauer, Onalaska; Jane Pronschinske, Arcadia; Rick Lappin, La Crosse, all of Wis.**

[73] **Assignee: Ashley Furniture Industries, Inc., Arcadia, Wis.**

[\*\*] **Term: 14 Years**

[21] **Appl. No.: 139,426**

[22] **Filed: Dec. 30, 1987**

[52] **U.S. Cl. .... D6/441**

[58] **Field of Search ..... D6/301, 444, 441, 436; 312/224-225; 350/600, 612**

[56] **References Cited  
PUBLICATIONS**

Burlington Catalog, 5/83, p. 392: Lantern Hills brochure, Shelf Mirror #392-080.

*Primary Examiner*—Bernard Ansher  
*Assistant Examiner*—Terry A. Pfeffer  
*Attorney, Agent, or Firm*—Peterson, Wicks, Nemer & Kamrath

[57] **CLAIM**

The ornamental design for a hutch mirror, as shown and described.

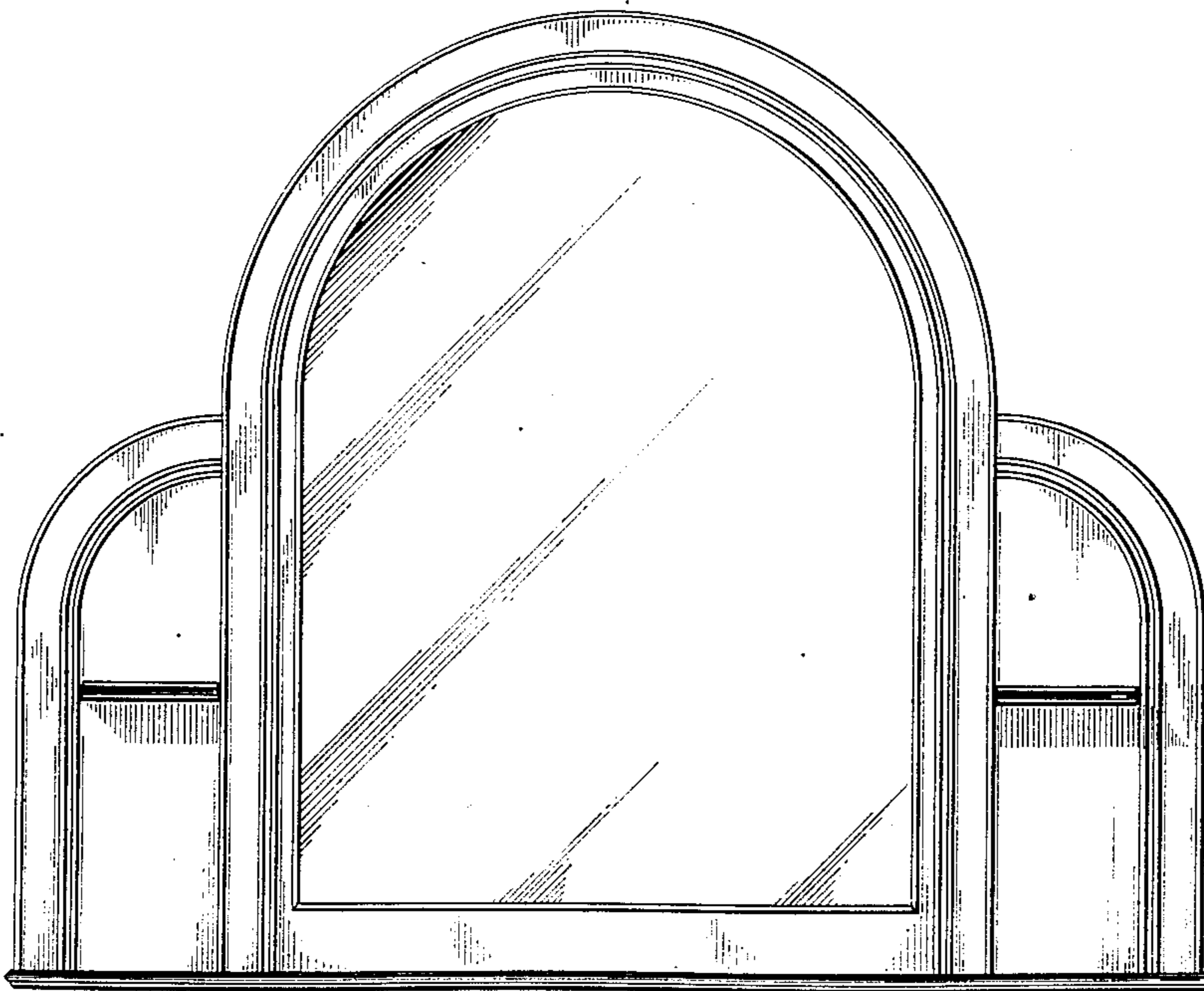
**DESCRIPTION**

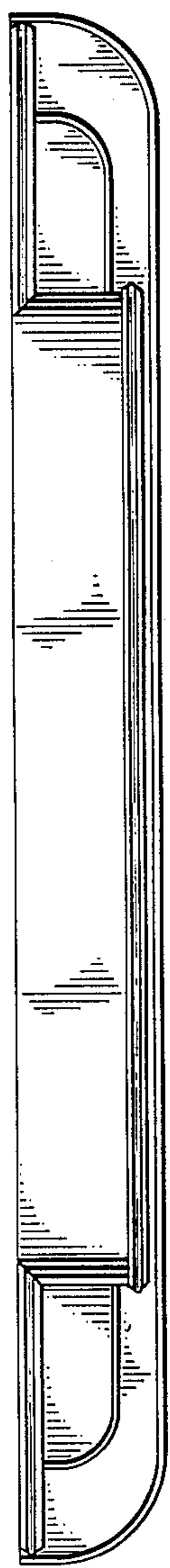
FIG. 1 is a front elevation of a hutch mirror showing our new design;

FIG. 2 is a top plan thereof; and

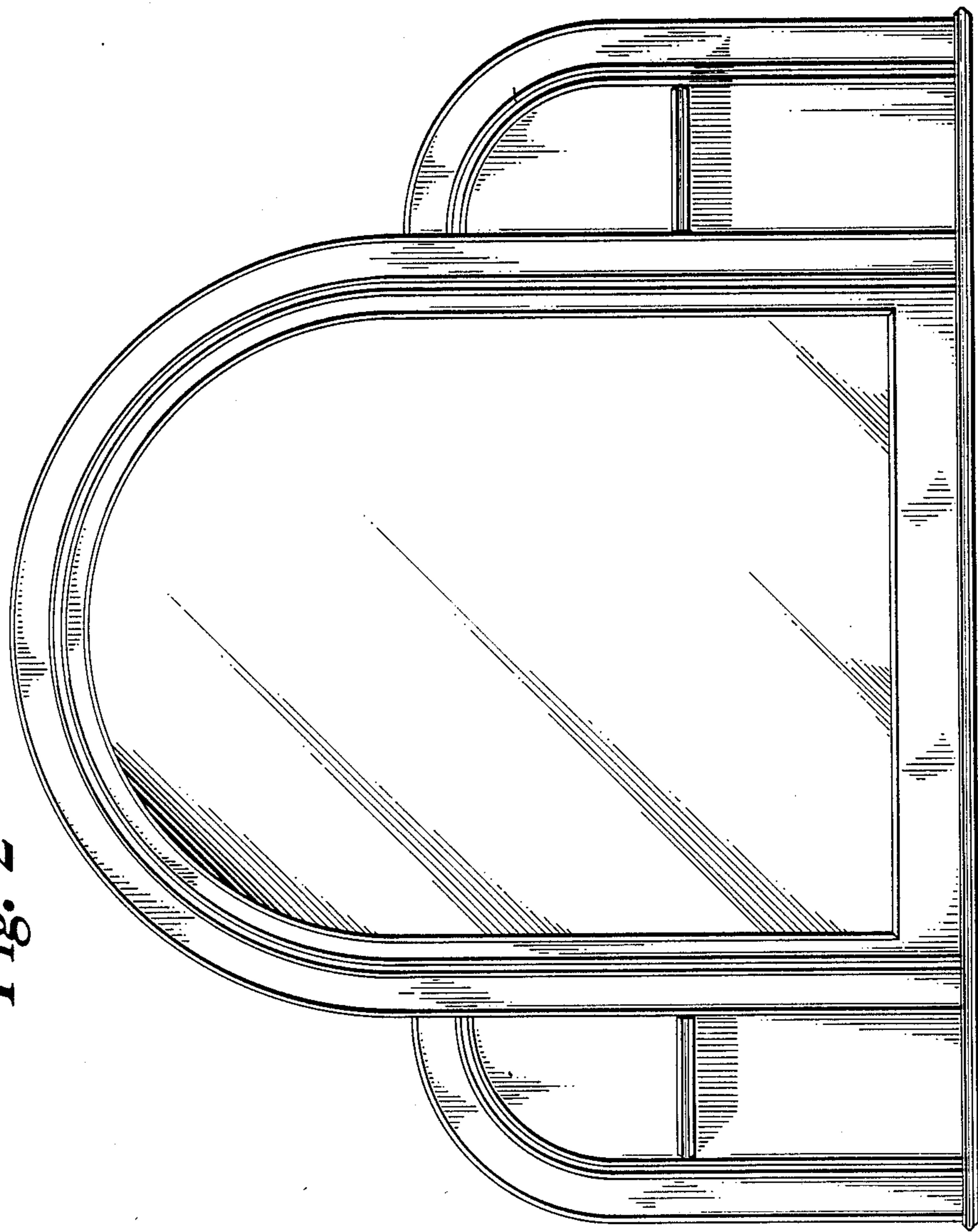
FIG. 3 is a right side elevation thereof, with the opposite side elevation thereof being a mirror image thereof.

The bottom plan and rear elevation are not shown as no ornamentation is claimed therefor.

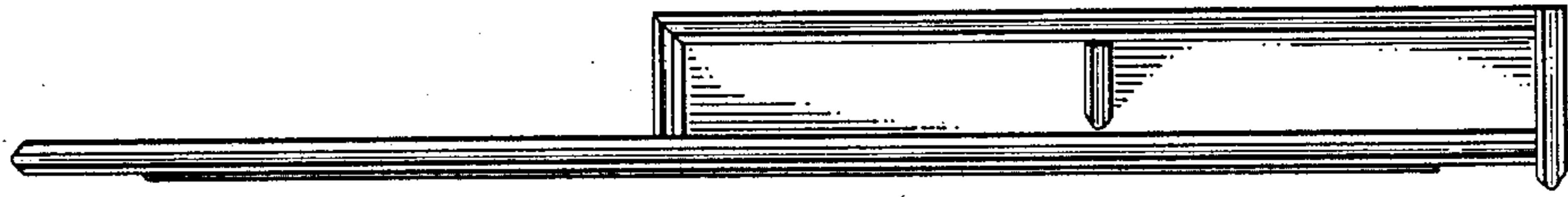




*Fig. 2*



*Fig. 1*



*Fig. 3*