

[54] COMBINED CASSETTE HOLDER AND DIVIDER FOR A CASSETTE STORAGE TRAY

[75] Inventors: Balthasar Kirchner; Siegfried Schleicher, both of Eferding, Austria

[73] Assignee: Ernst Stadelmann Gesellschaft MbH, Eferding, Austria

[**] Term: 14 Years

[21] Appl. No.: 851,385

[22] Filed: Apr. 10, 1986

[52] U.S. Cl. D3/35; D19/75

[58] Field of Search D19/90, 65, 78, 86; D3/35; 206/387, 444, 45.13

[56] References Cited

U.S. PATENT DOCUMENTS

D. 280,041	8/1985	Long et al.	D3/35
D. 280,952	10/1985	Kirchner	D3/35
3,232,421	2/1966	Young	206/387
3,746,180	7/1973	Spiroch et al.	206/387

3,760,937	9/1973	Van Wyngarden et al.	206/387
4,465,327	8/1984	Westley	206/387 X
4,708,239	11/1987	Bourbon	206/45.13
4,759,443	7/1988	Egly	206/444 X

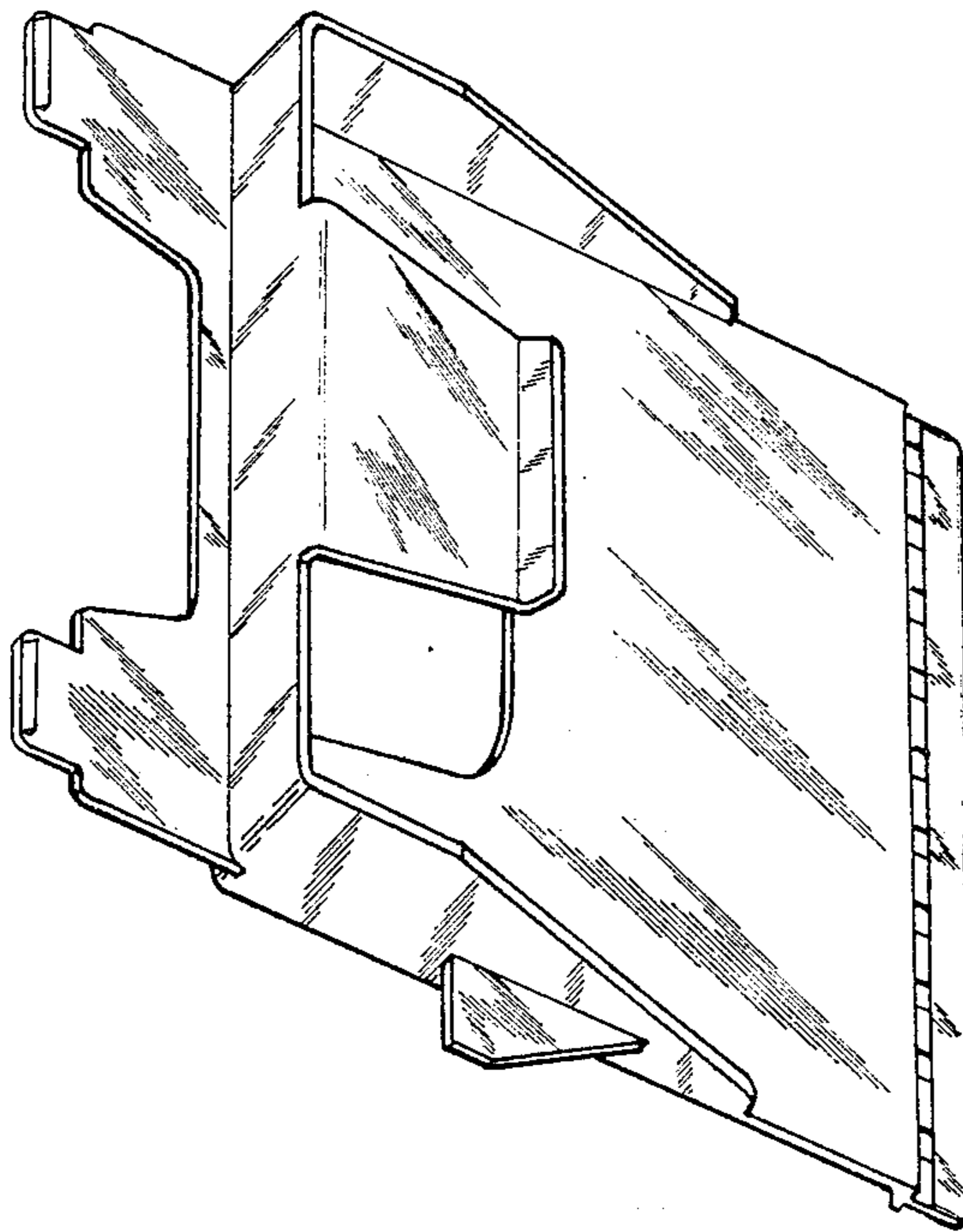
Primary Examiner—Bruce W. Dunkins
Assistant Examiner—Martha Thompson
Attorney, Agent, or Firm—Herbert Dubno; Ronald Lianides

[57] CLAIM

The ornamental design for a combined cassette holder and divider for a cassette storage tray, as shown and described.

DESCRIPTION

FIG. 1 is a front-elevational view of the combined cassette holder and divider for a cassette storage tray showing our new design; FIG. 2 is a side elevational view, the opposite side being a mirror image thereof; FIG. 3 is a top plan view; FIG. 4 is a rear elevational view; FIG. 5 is a bottom plan view; and FIG. 6 is a front perspective view thereof.



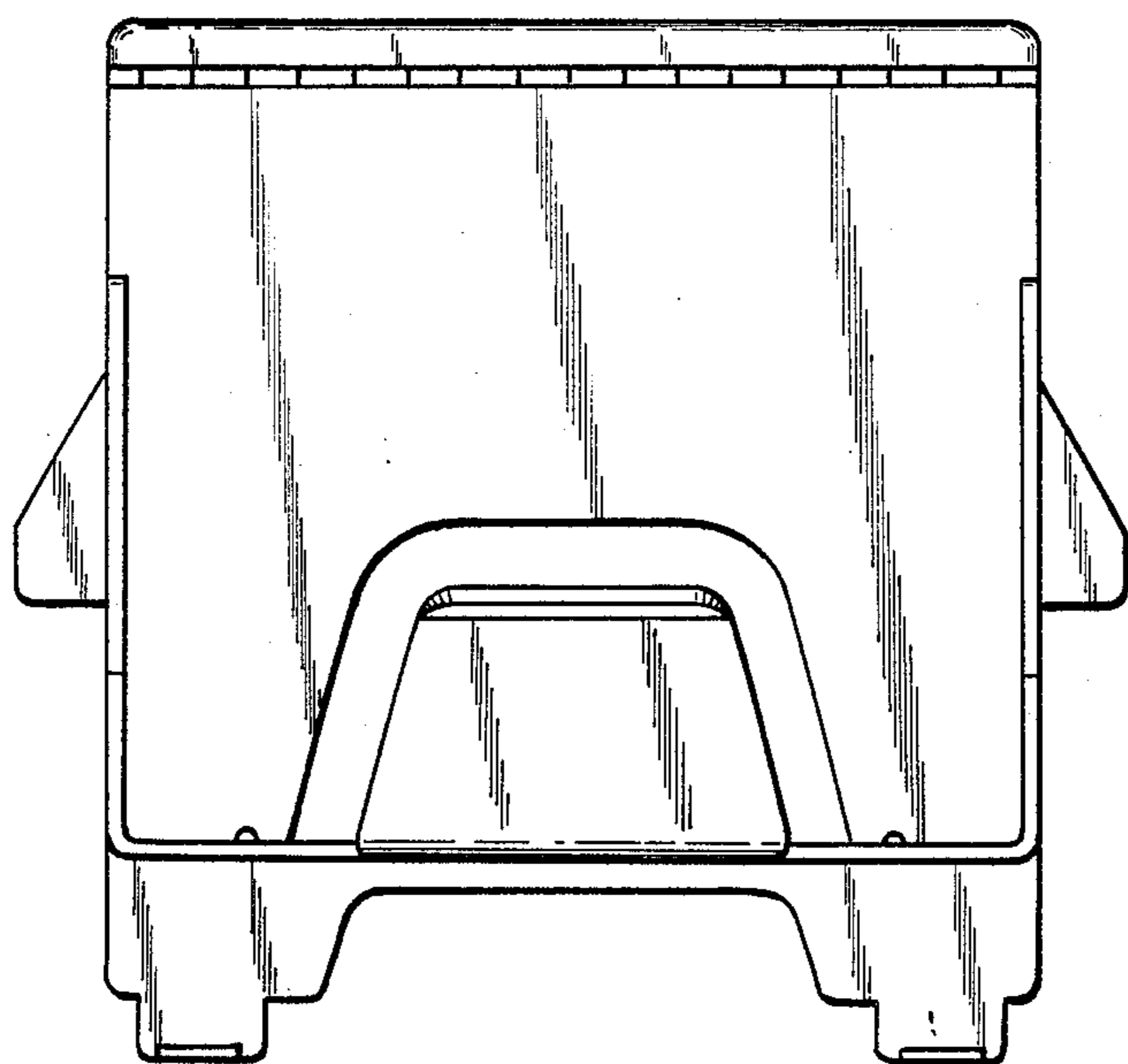


FIG. 1

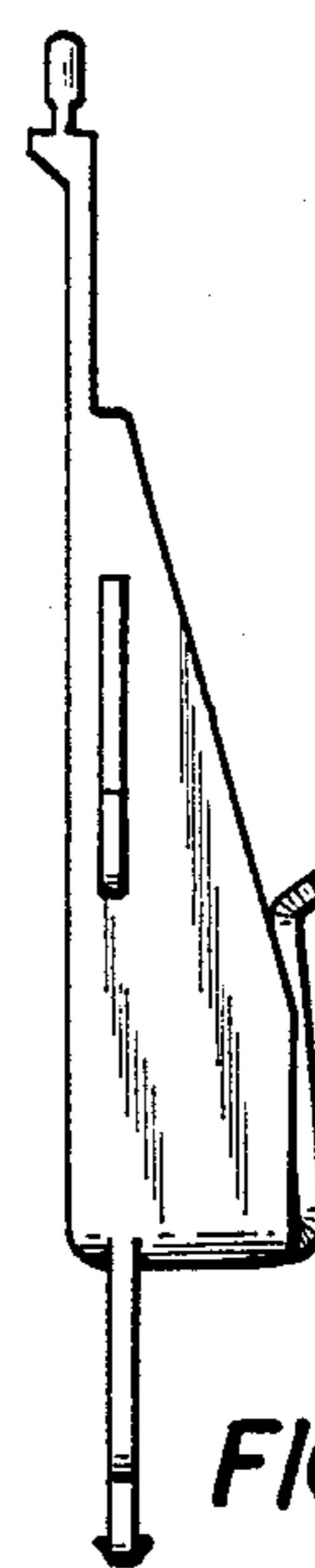


FIG. 2



FIG. 3

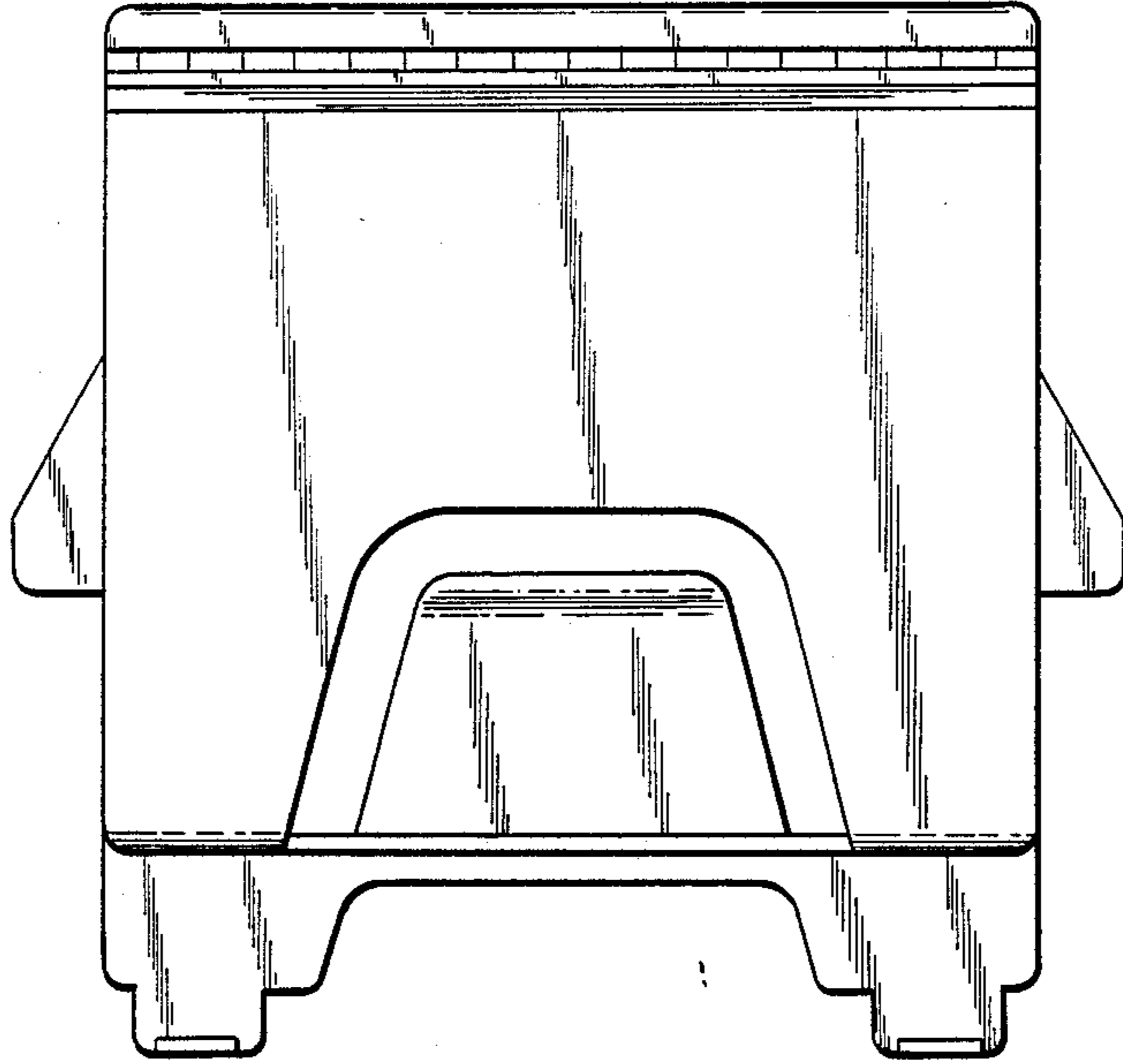


FIG. 4

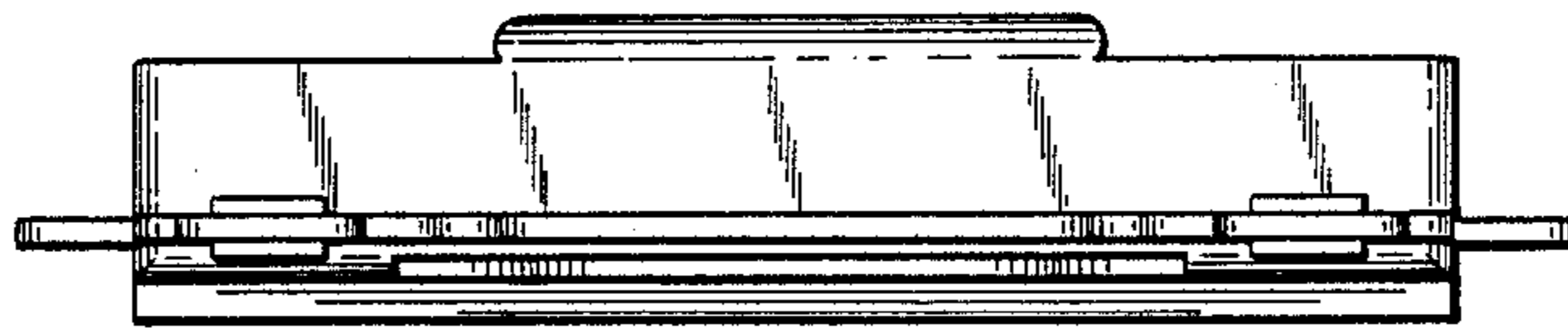


FIG. 5

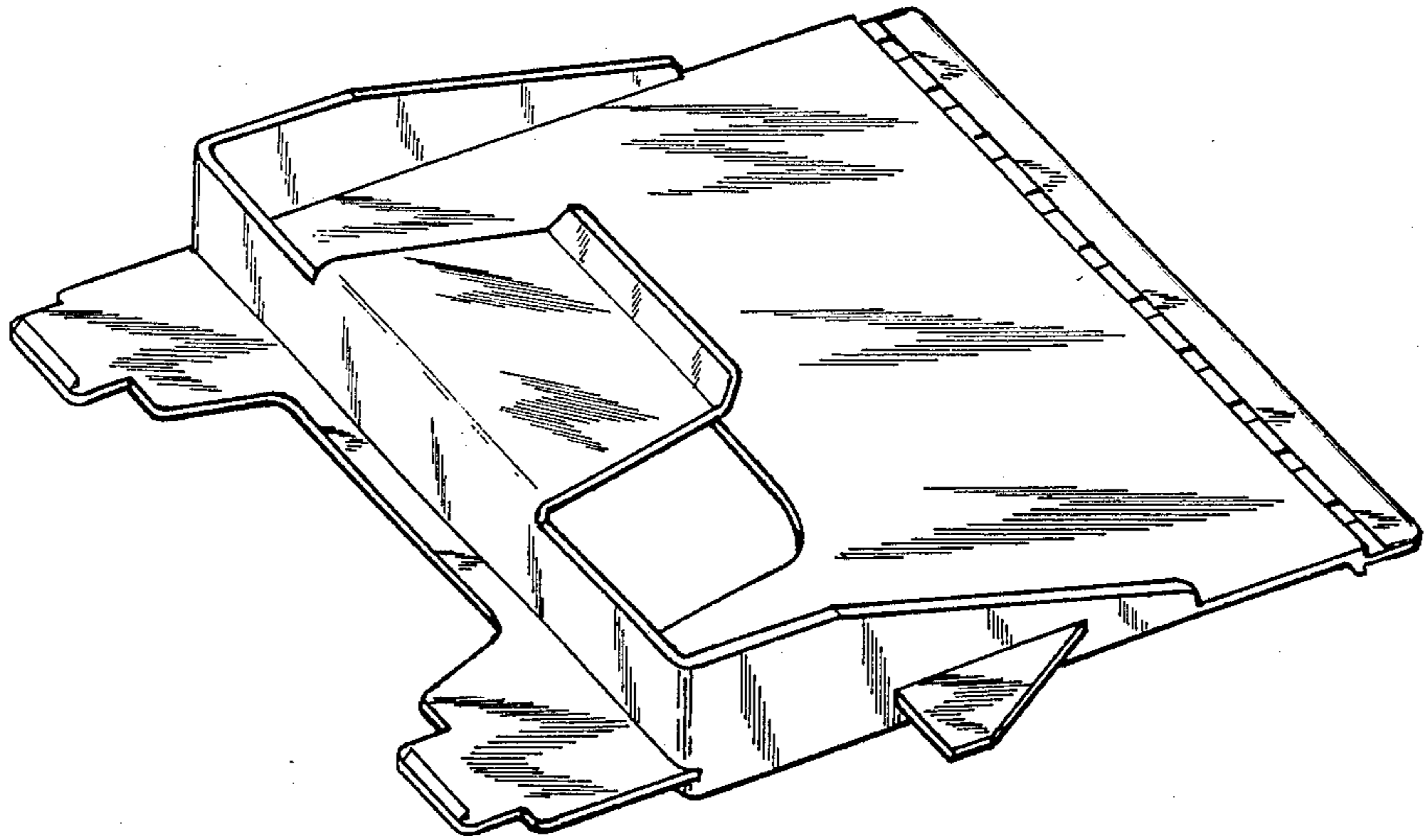


FIG. 6