

[54] BOTTLE

[75] Inventor: Robert D. Holewinski, Lakehurst, N.J.

[73] Assignee: Johnson & Johnson Consumer Products, Inc., New Brunswick, N.J.

[\*\*] Term: 14 Years

[21] Appl. No.: 842,048

[22] Filed: Mar. 10, 1986

[52] U.S. Cl. .... D9/377; D9/401

[58] Field of Search ..... D9/307, 367, 369, 373, D9/377, 384, 386, 395, 400, 401, 403-413, 417, 423, 432, 435, 424, 430; 215/1 R, 1 C

3,244,272 4/1966 Beaman et al. .... D9/377 X  
 3,252,492 5/1966 Marchant ..... D9/377

OTHER PUBLICATIONS

Beauty Fashion Magazine, Apr. 1982, p. 36, Monteil's Revivance Bottle, upper right.

Primary Examiner—Melvin B. Feifer  
Assistant Examiner—Lucy Lieberman

[57] CLAIM

The ornamental design for a bottle, as shown and described.

DESCRIPTION

FIG. 1 is a perspective view of a bottle showing my new design;  
 FIG. 2 is a front elevational view thereof;  
 FIG. 3 is a side elevational view thereof;  
 FIG. 4 is a top plan view, the opposite side being a mirror image thereof;  
 FIG. 5 is a rear elevational view thereof; and  
 FIG. 6 is a perspective view showing the bottle in an exploded condition.

[56] References Cited

U.S. PATENT DOCUMENTS

D. 107,794 1/1938 Rathbun ..... D9/424  
 D. 205,685 9/1966 Simpson ..... D9/424  
 D. 238,312 12/1975 Witkoff ..... D9/424  
 D. 241,013 8/1976 Dekker ..... D9/377  
 294,575 3/1884 Britton ..... 426/104

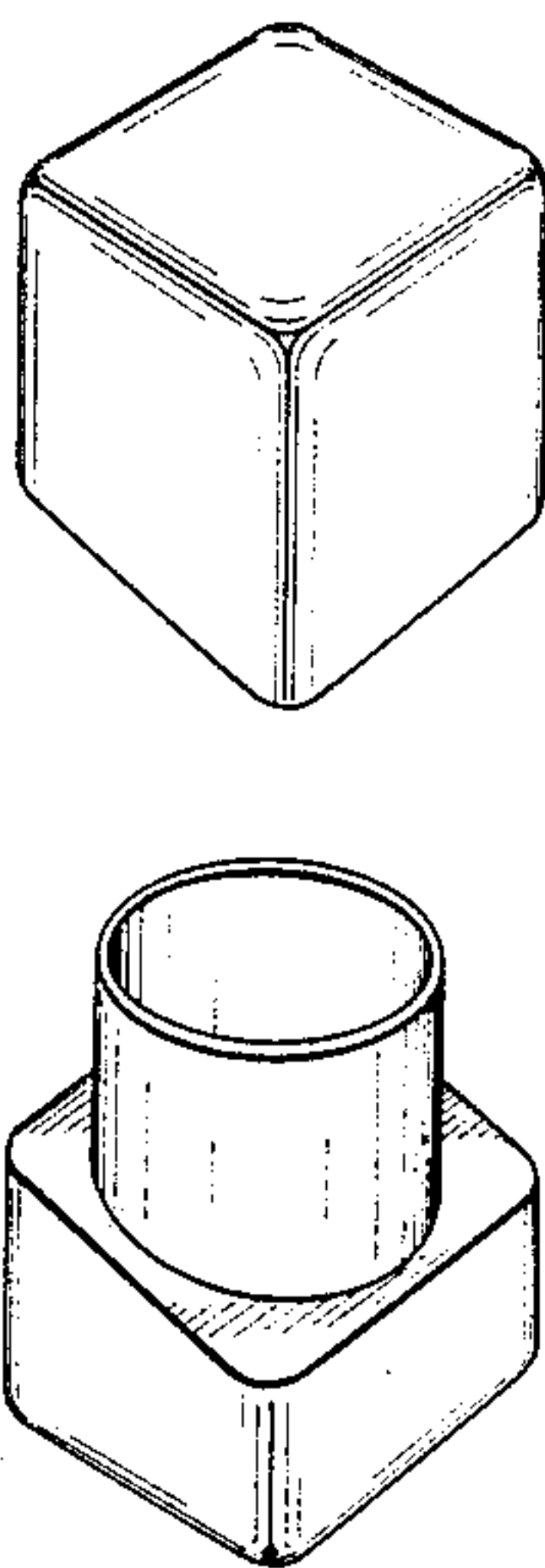


FIG-1

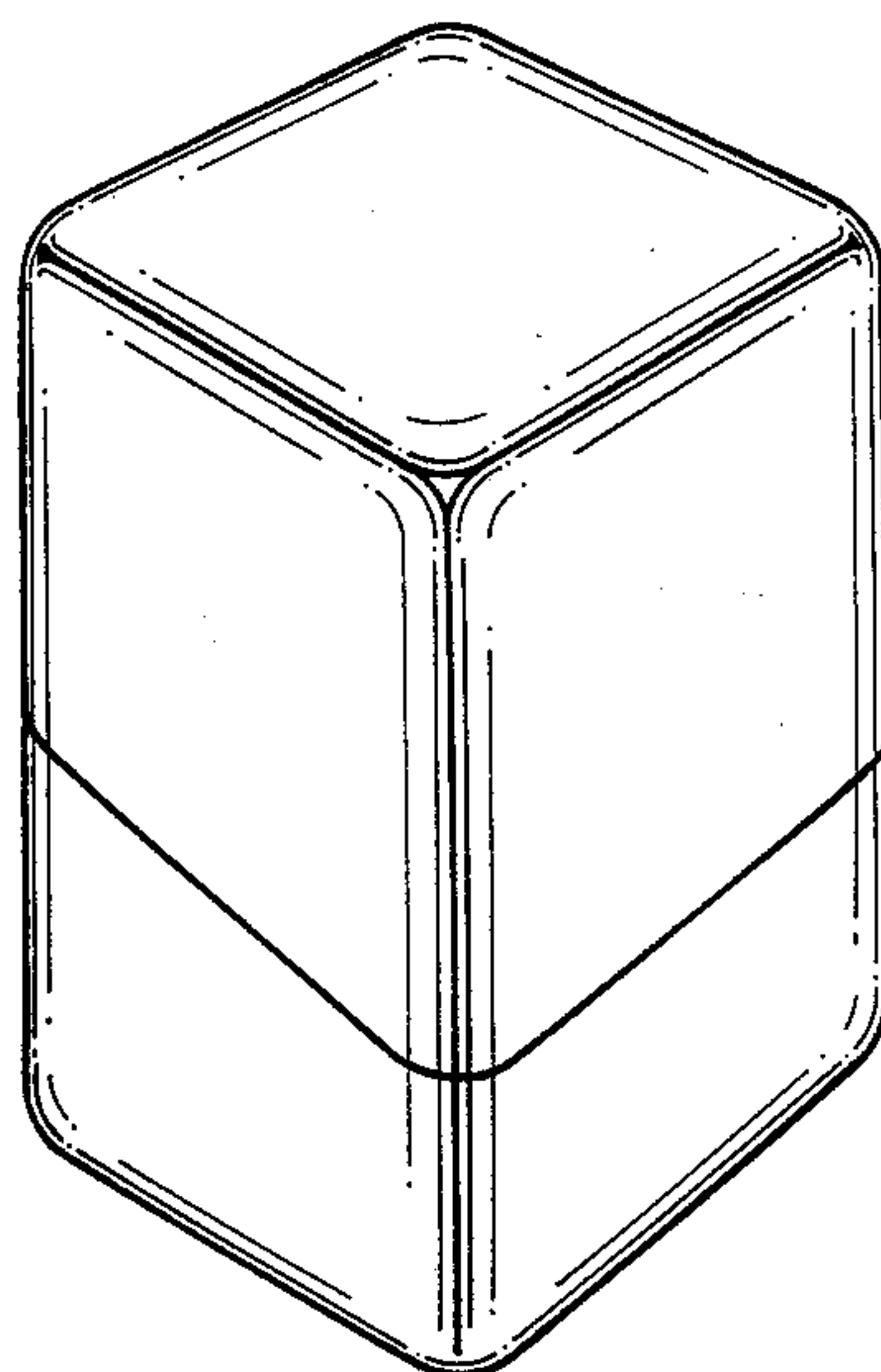


FIG-2

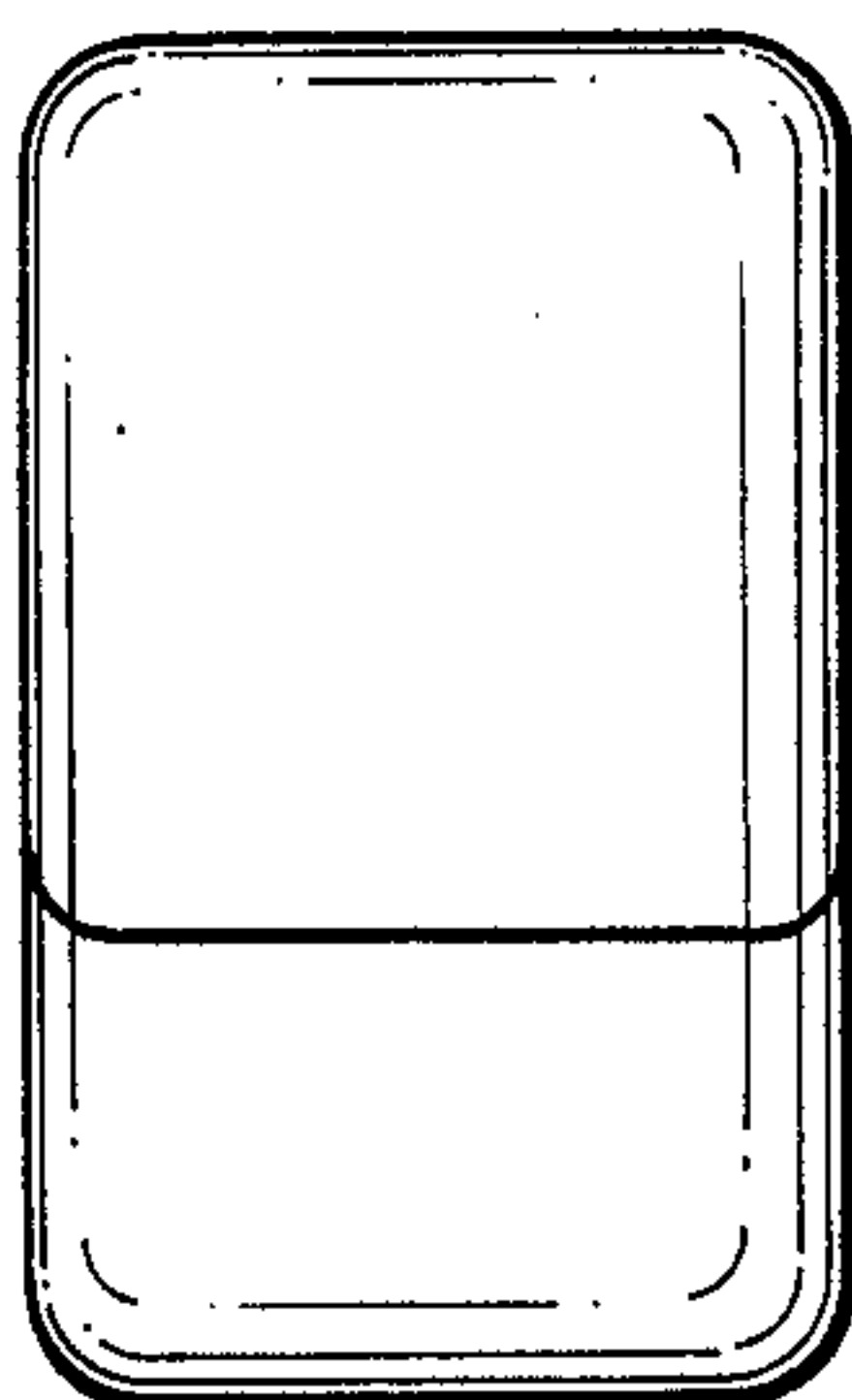


FIG-3

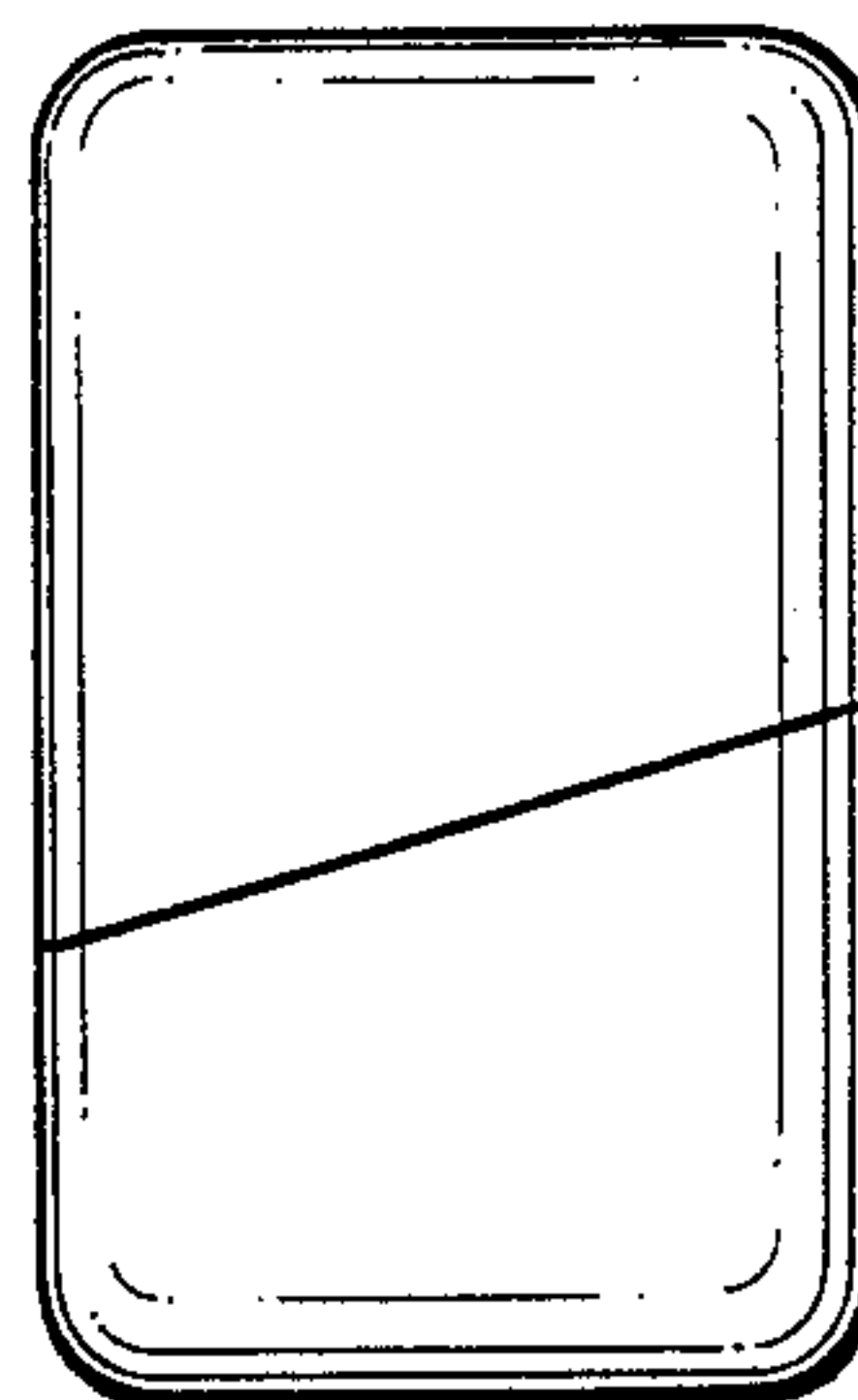


FIG-4

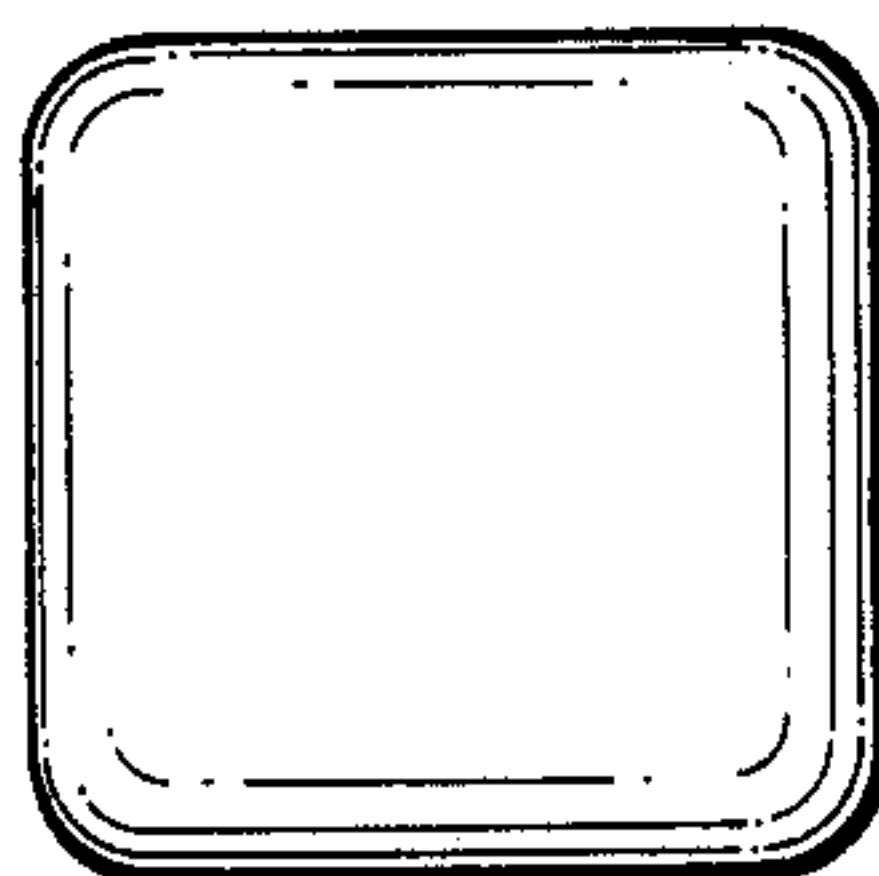


FIG-5

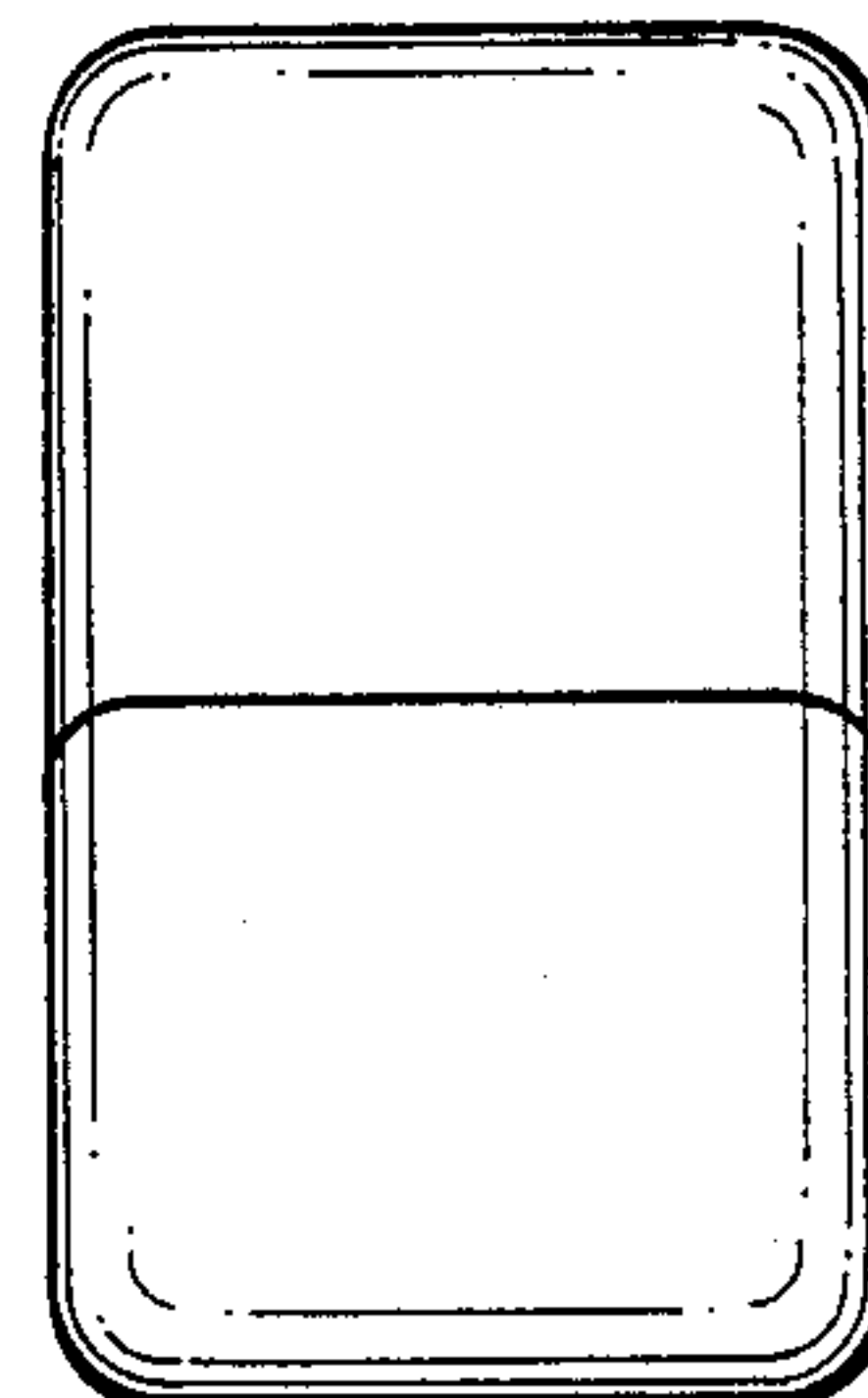


FIG-6

