

[54] **SCOOP FOR FURNACE ASHES**

[76] **Inventor: Alfonse J. Kuder, 113 N. Oak St., Centralia, Wash. 98531**

[**] **Term: 14 Years**

[21] **Appl. No.: 2,570**

[22] **Filed: Jan. 12, 1987**

[52] **U.S. Cl. D32/74**

[58] **Field of Search D4/116; D7/104; D8/10, D8/107; D32/74; 15/257.1-257.9; 126/242-245; 209/417-419; 294/1.3, 1.4, 3.5, 49, 55; 110/166, 170**

[56] **References Cited**

U.S. PATENT DOCUMENTS

D. 295,336 4/1988 Kuder D32/74
936,990 10/1909 Epperson 294/55 X

FOREIGN PATENT DOCUMENTS

916854 8/1954 Fed. Rep. of Germany 294/3.5

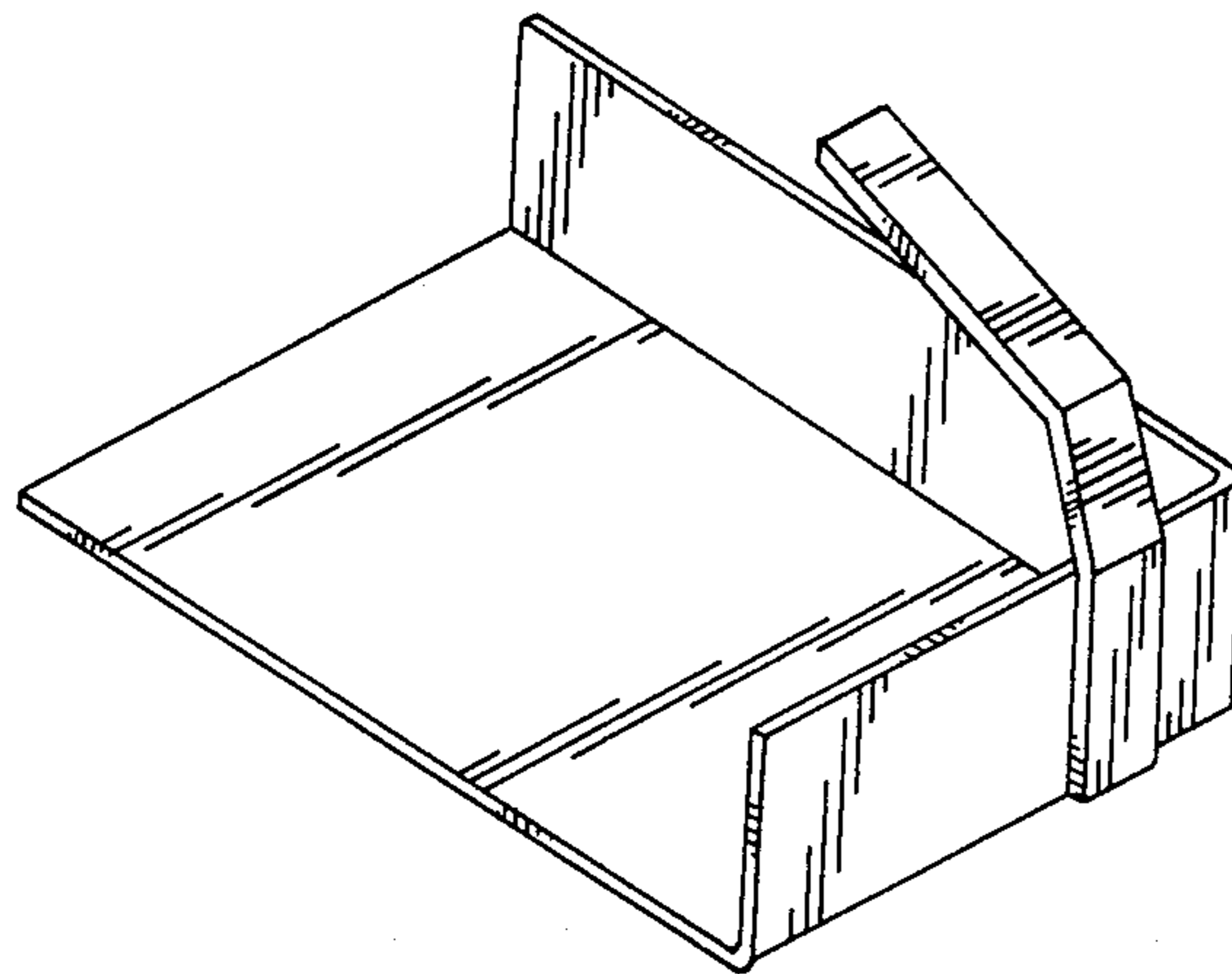
Primary Examiner—Wallace R. Burke
Assistant Examiner—Lavone D. Tabor
Attorney, Agent, or Firm—Norman B. Rainer

[57] **CLAIM**

The ornamental design for a scoop for furnace ashes, as shown and described.

DESCRIPTION

FIG. 1 is a perspective view of a scoop for furnace ashes showing my new design;
FIG. 2 is a top plan view thereof;
FIG. 3 is a left side elevational view thereof;
FIG. 4 is a right side elevational view thereof; and
FIG. 5 is an end elevational view thereof.
The undisclosed bottom is substantially flat and unornamented.



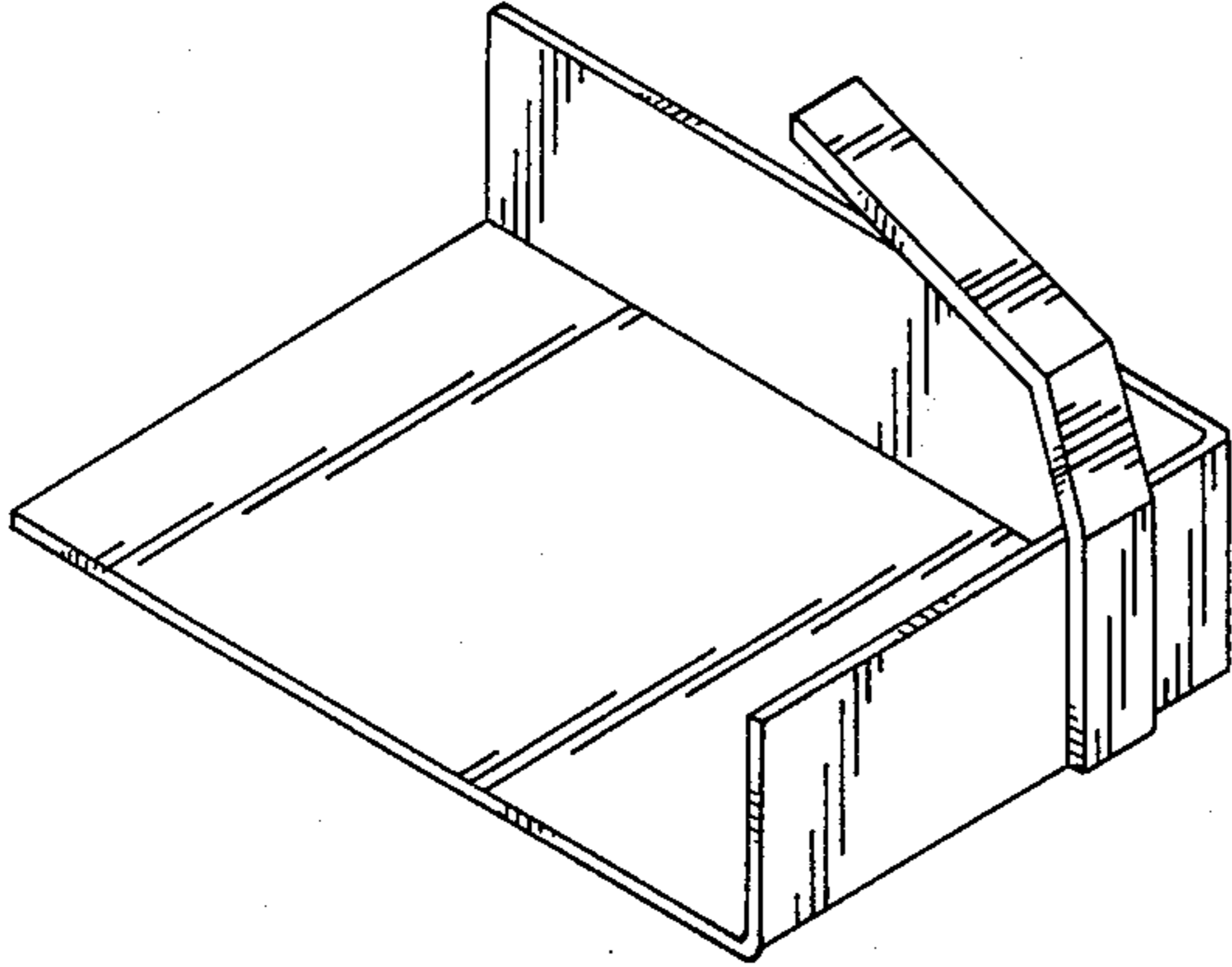


FIG. 1

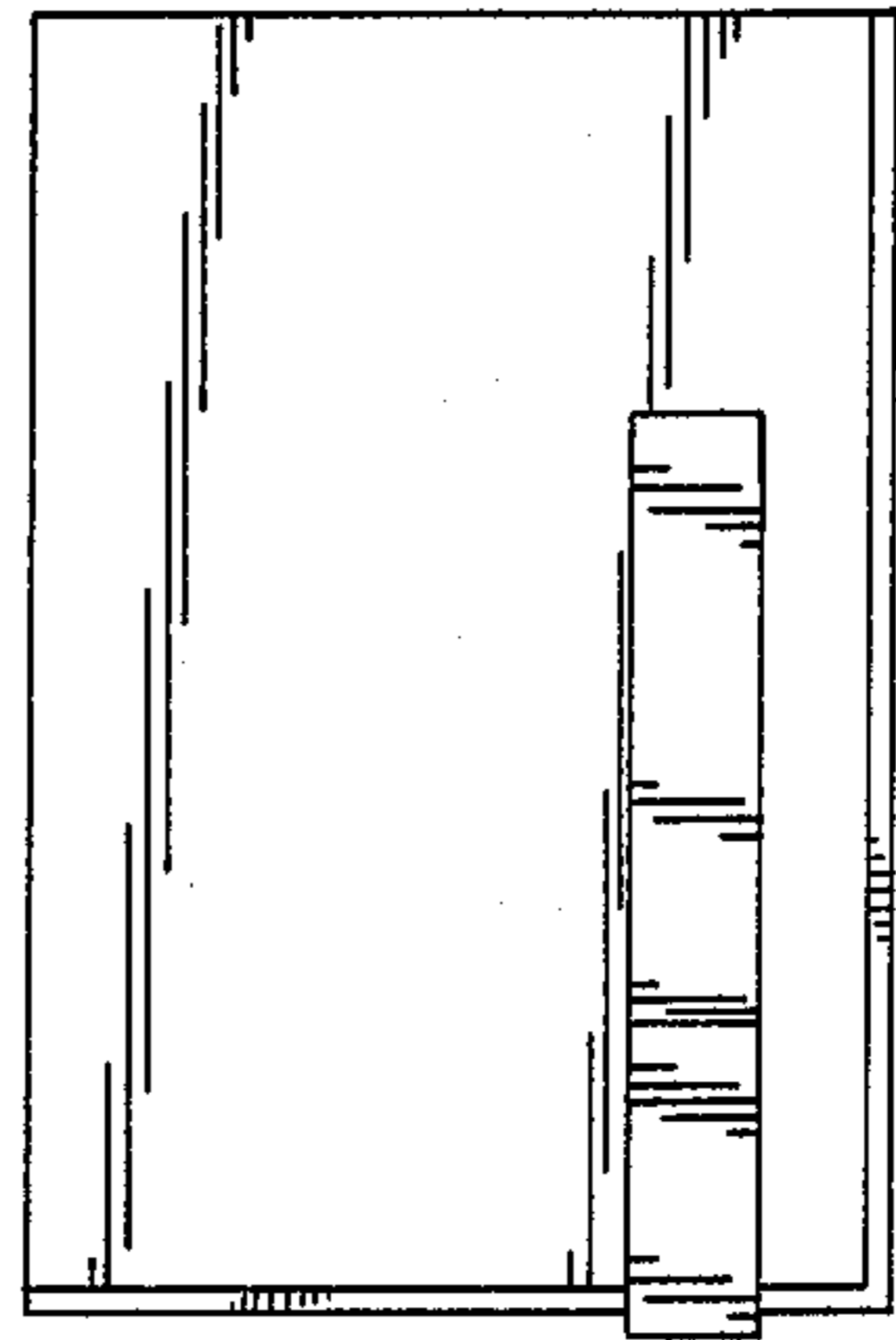


FIG. 2

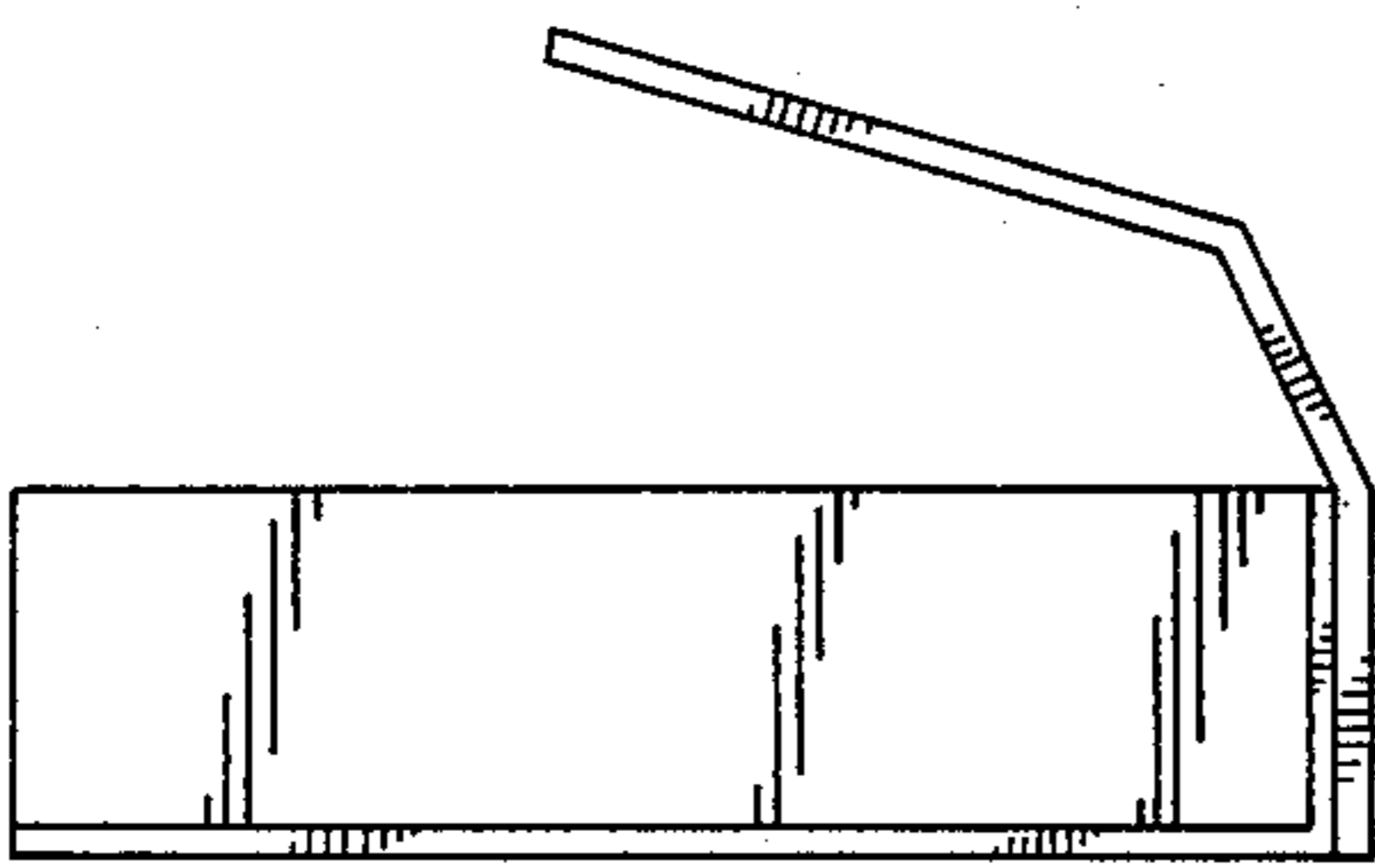


FIG. 3

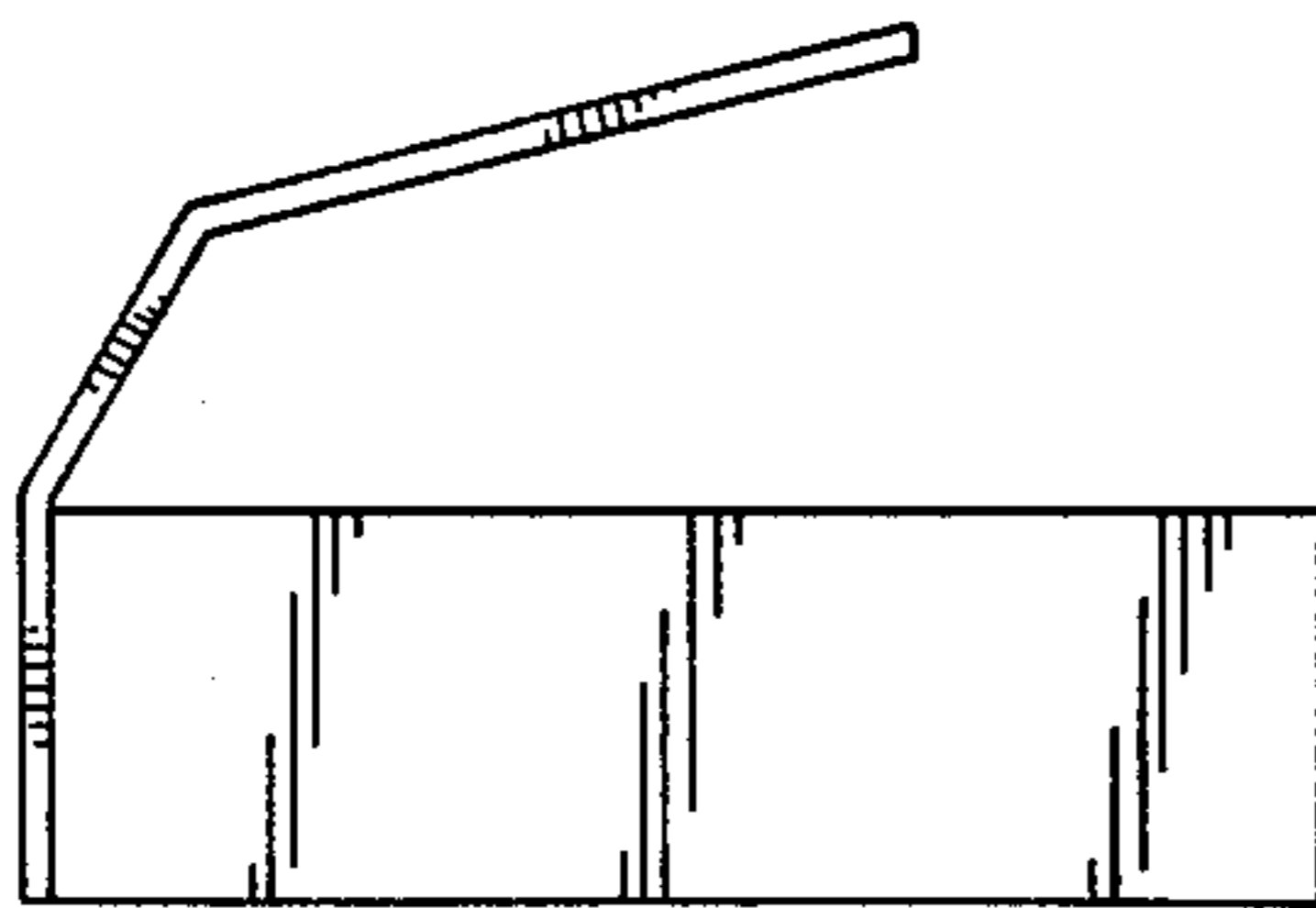


FIG. 4

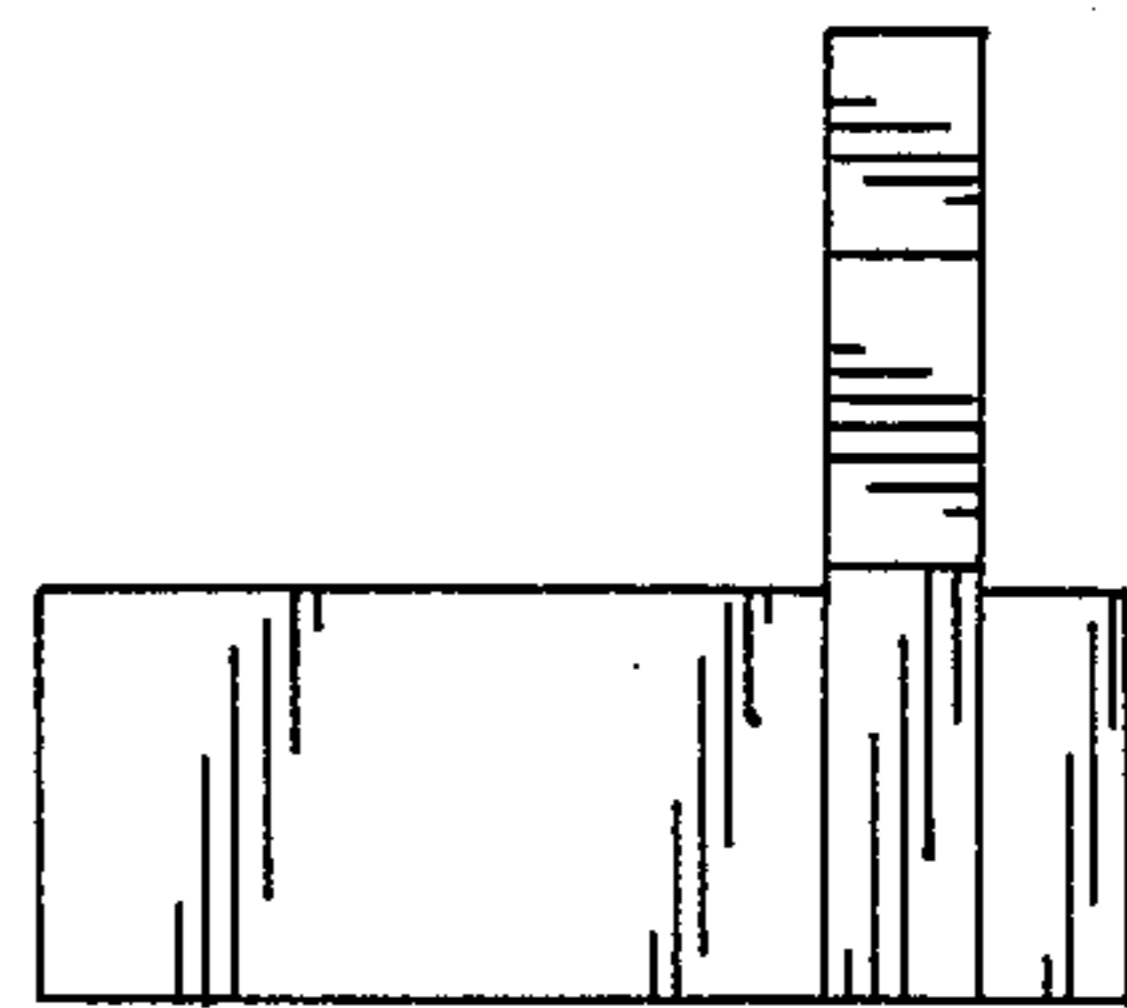


FIG. 5