

[54] SINK TRAY

[75] Inventors: Alan J. Heller; Morison Cousins, both of New York, N.Y.

[73] Assignee: Heller Designs, Inc., New York, N.Y.

[**] Term: 14 Years

[21] Appl. No.: 283,885

[22] Filed: Dec. 12, 1988

[52] U.S. Cl. D32/55

[58] Field of Search D32/35, 55-57; D34/40-43; 211/13, 41, 60.1, 71, 74; D6/464; 220/19-20

D. 253,685 12/1979 Chapman D32/55
D. 258,191 2/1981 Berman et al. D32/55
D. 268,878 5/1983 Taylor D32/55
2,864,509 12/1958 Watral 311/41
3,164,108 1/1965 Romero 211/41 X

Primary Examiner—Wallace R. Burke
Assistant Examiner—Lavone D. Tabor
Attorney, Agent, or Firm—Gottlieb, Rackman & Reisman

[57] CLAIM

The ornamental design for a sink tray, as shown and described.

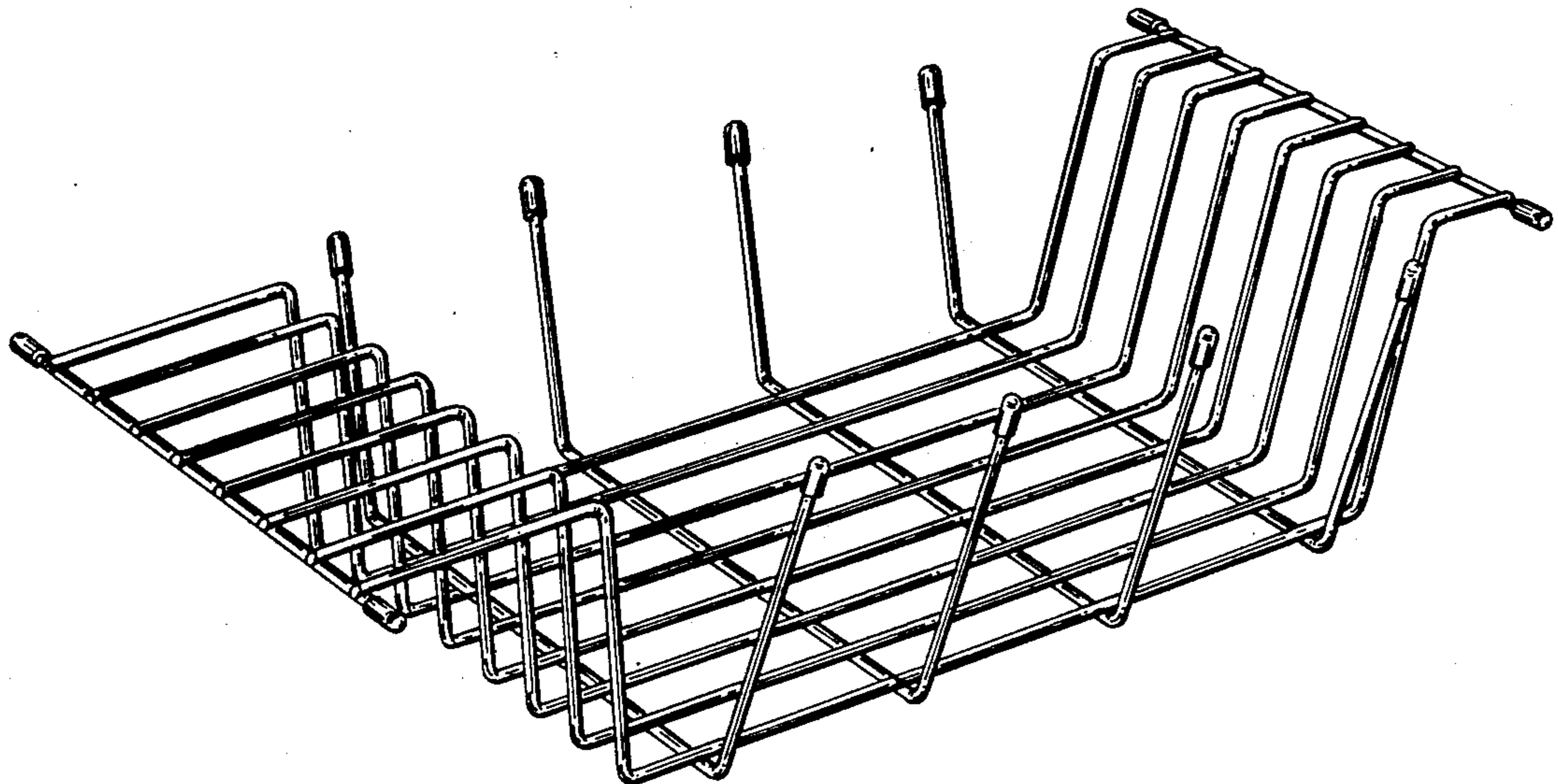
DESCRIPTION

FIG. 1 is a perspective view of a sink tray showing our new design;
FIG. 2 is a front elevational view thereof;
FIG. 3 is a rear elevational view thereof;
FIG. 4 is a top plan view thereof;
FIG. 5 is a left side elevational view thereof;
FIG. 6 is a bottom plan view thereof; and
FIG. 7 is a right side elevational view thereof.

[56] References Cited

U.S. PATENT DOCUMENTS

D. 52,537 10/1918 Laing D32/58
D. 97,654 7/1935 Watral D32/55
D. 187,430 3/1960 Christoffersen D32/55
D. 188,254 6/1960 Christoffersen D32/55
D. 189,311 11/1960 Christoffersen D32/55
D. 189,982 3/1961 Christoffersen D6/464



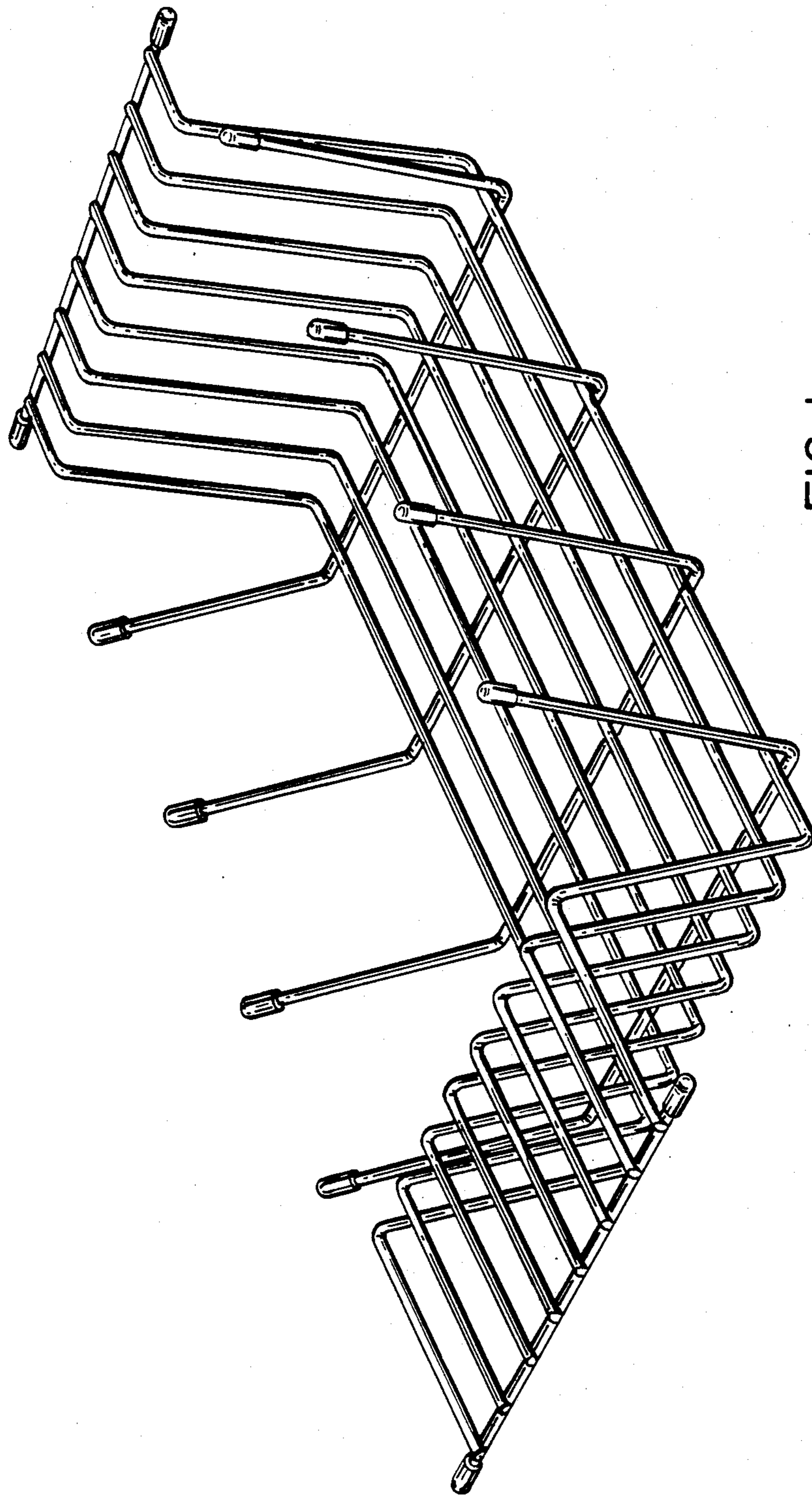
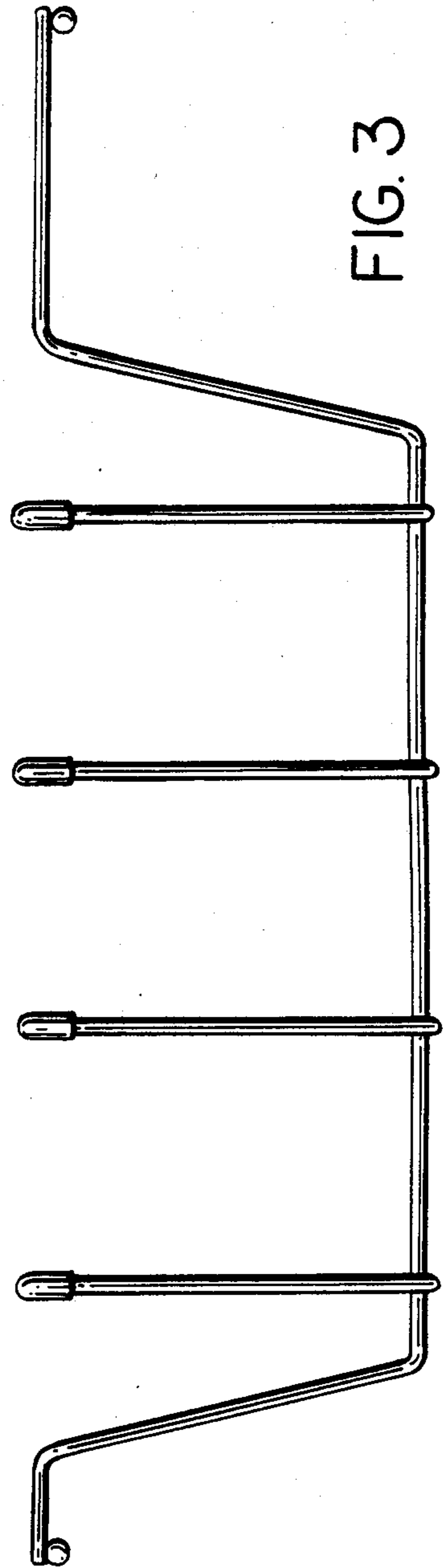
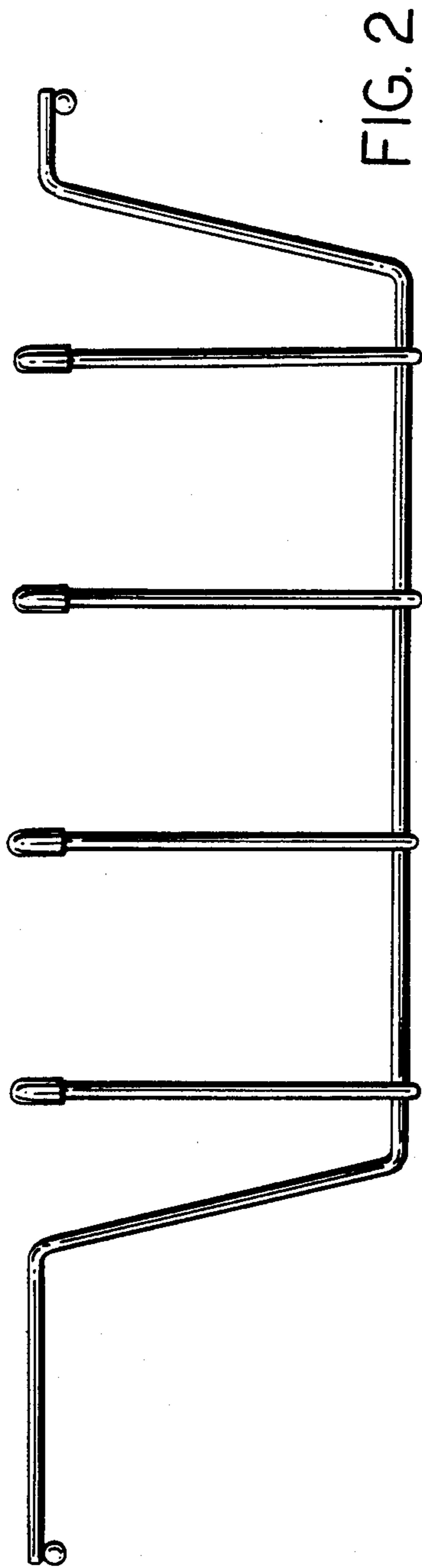


FIG. 1



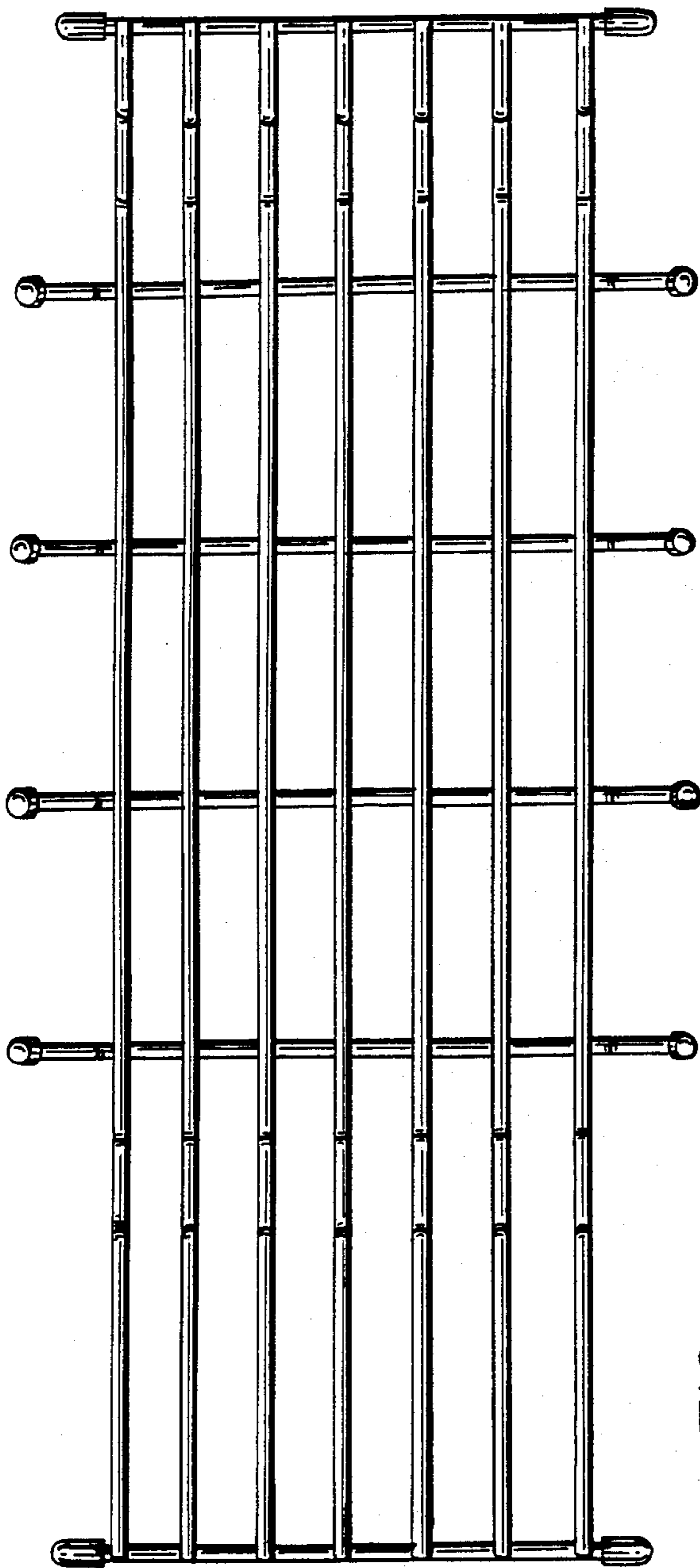


FIG. 4

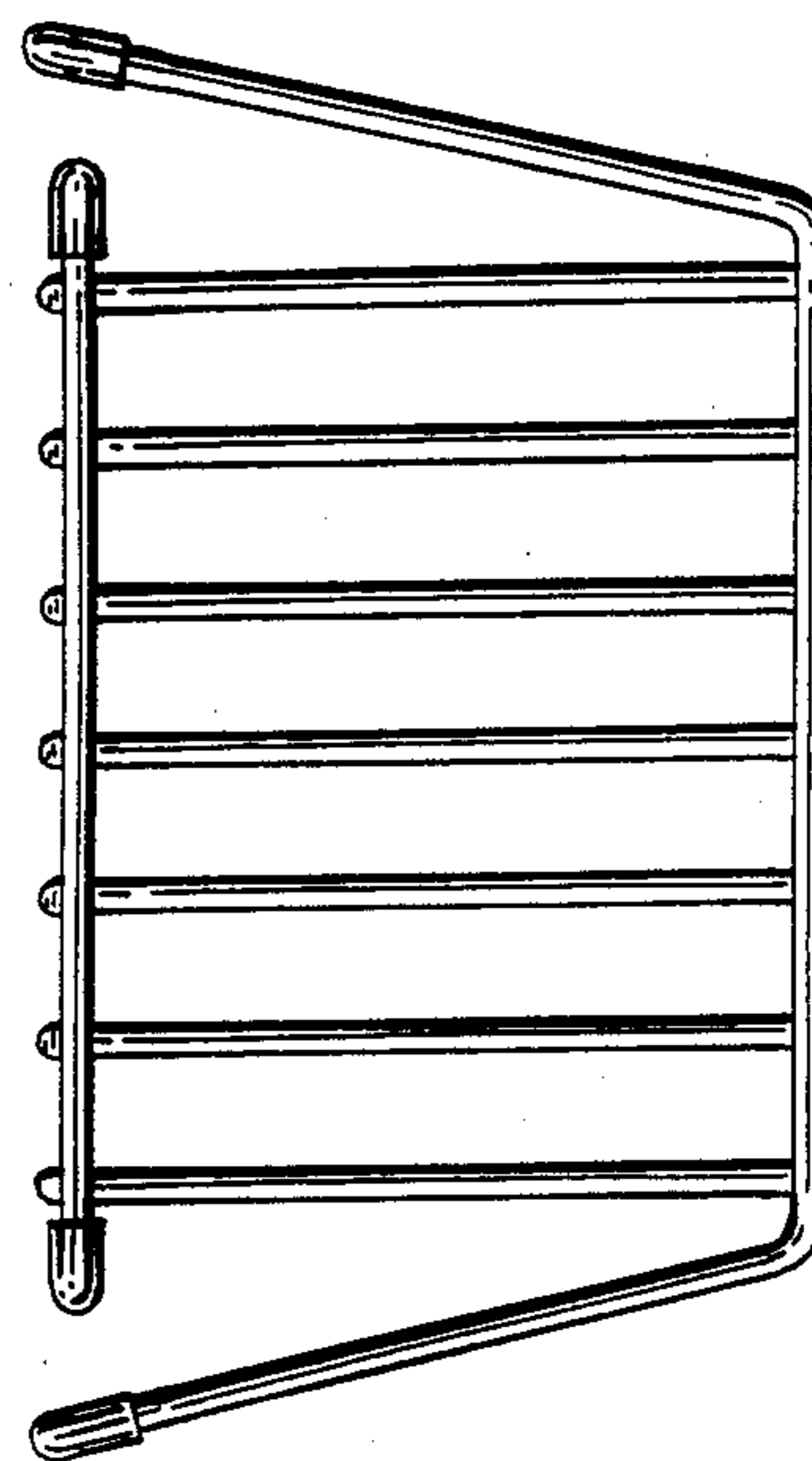


FIG. 5

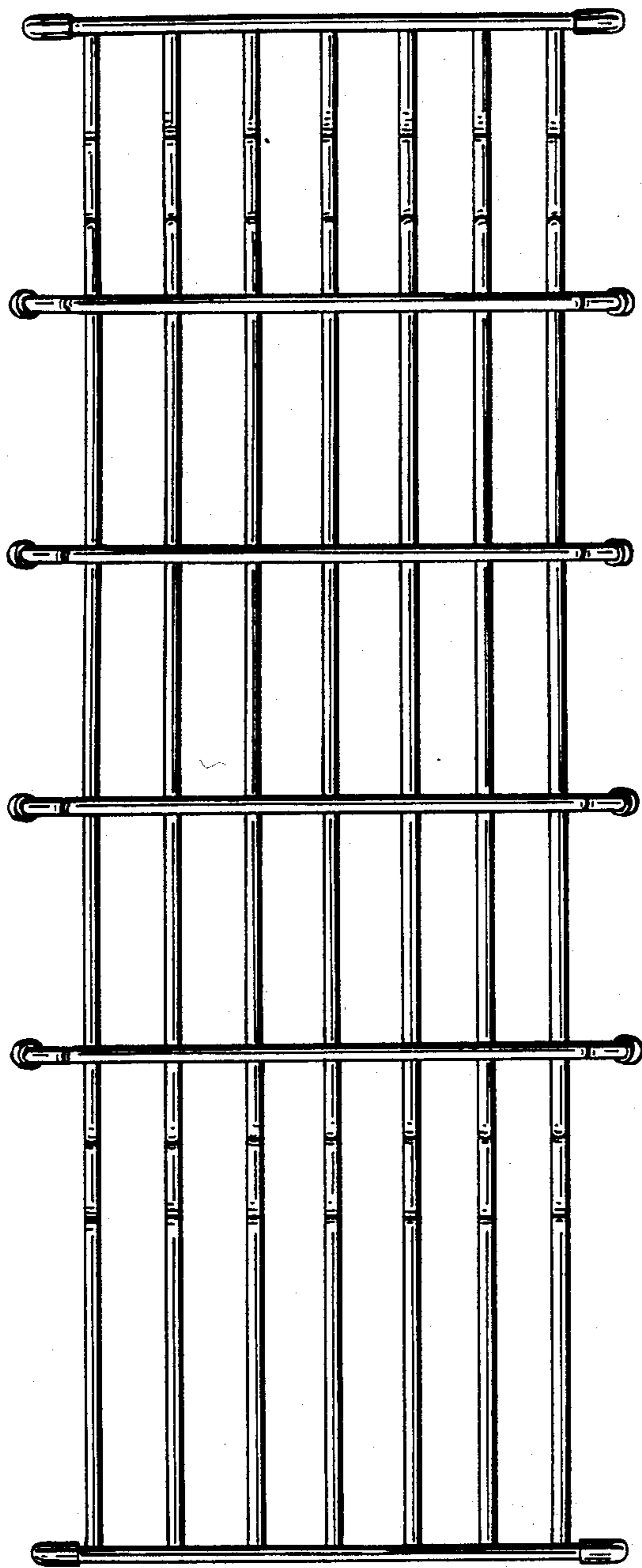


FIG. 6

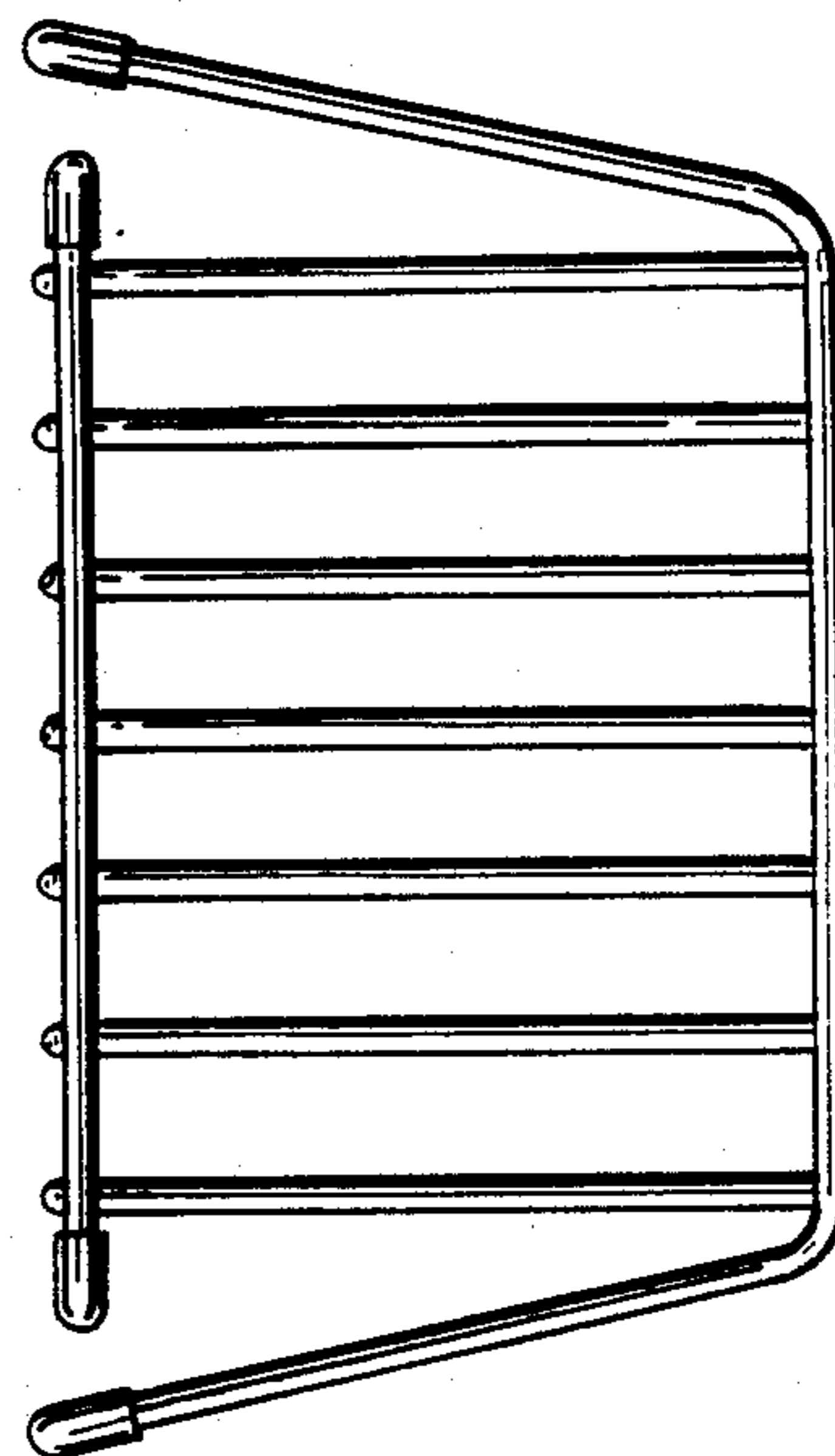


FIG. 7