

[54] APPARATUS FOR METERING AND DISPENSING DETERGENT

[75] Inventors: Kay Bödecker, Chieming; Robert Scheurl, Inzell; Hans-Erwin Strasser, Siegsdorf, all of Fed. Rep. of Germany

[73] Assignee: Henkel Kommanditgesellschaft auf Aktien, Duesseldorf, Fed. Rep. of Germany

[**] Term: 14 Years

[21] Appl. No.: 945,450

[22] Filed: Dec. 22, 1986

[30] Foreign Application Priority Data

Jun. 23, 1986 [WO] World Int. Prop. O. ... DM/007 100
[52] U.S. Cl. D32/25
[58] Field of Search D32/1-3, D32/25, 30; 134/93-94, 96, 56 D, 57 D, 58 D, 60-61; 422/106

[56] References Cited

U.S. PATENT DOCUMENTS

D. 195,640 7/1963 James D32/2
D. 205,466 8/1966 Meeker et al. D32/2
D. 231,484 4/1974 Peterson D32/2

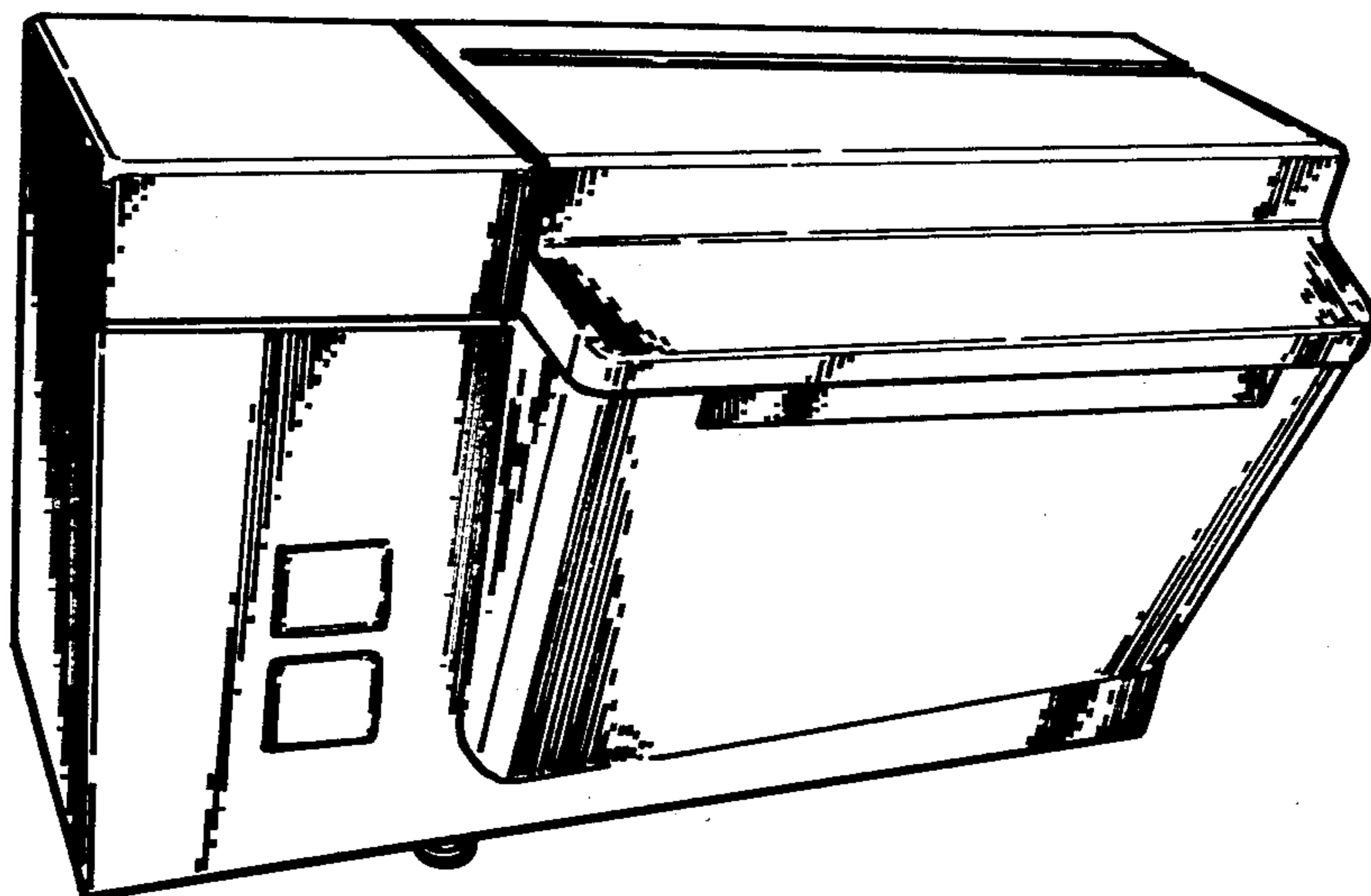
Primary Examiner—Nelson C. Holtje
Assistant Examiner—Ruth Takemoto
Attorney, Agent, or Firm—Ernest G. Szoke; Wayne C. Jaeschke

[57] CLAIM

The ornamental design for an apparatus for metering and dispensing detergent, as shown and described.

DESCRIPTION

FIG. 1 is a top perspective view in an open position of an apparatus for metering and dispensing detergent showing our new design;
FIG. 2 is a perspective view thereof in a closed position;
FIG. 3 is a front elevational view thereof;
FIG. 4 is an enlarged left side elevational view thereof;
FIG. 5 is an enlarged right side elevational view thereof;
FIG. 6 is an enlarged top plan view thereof;
FIG. 7 is an enlarged bottom plan view thereof; and
FIG. 8 is an enlarged rear elevational view thereof.



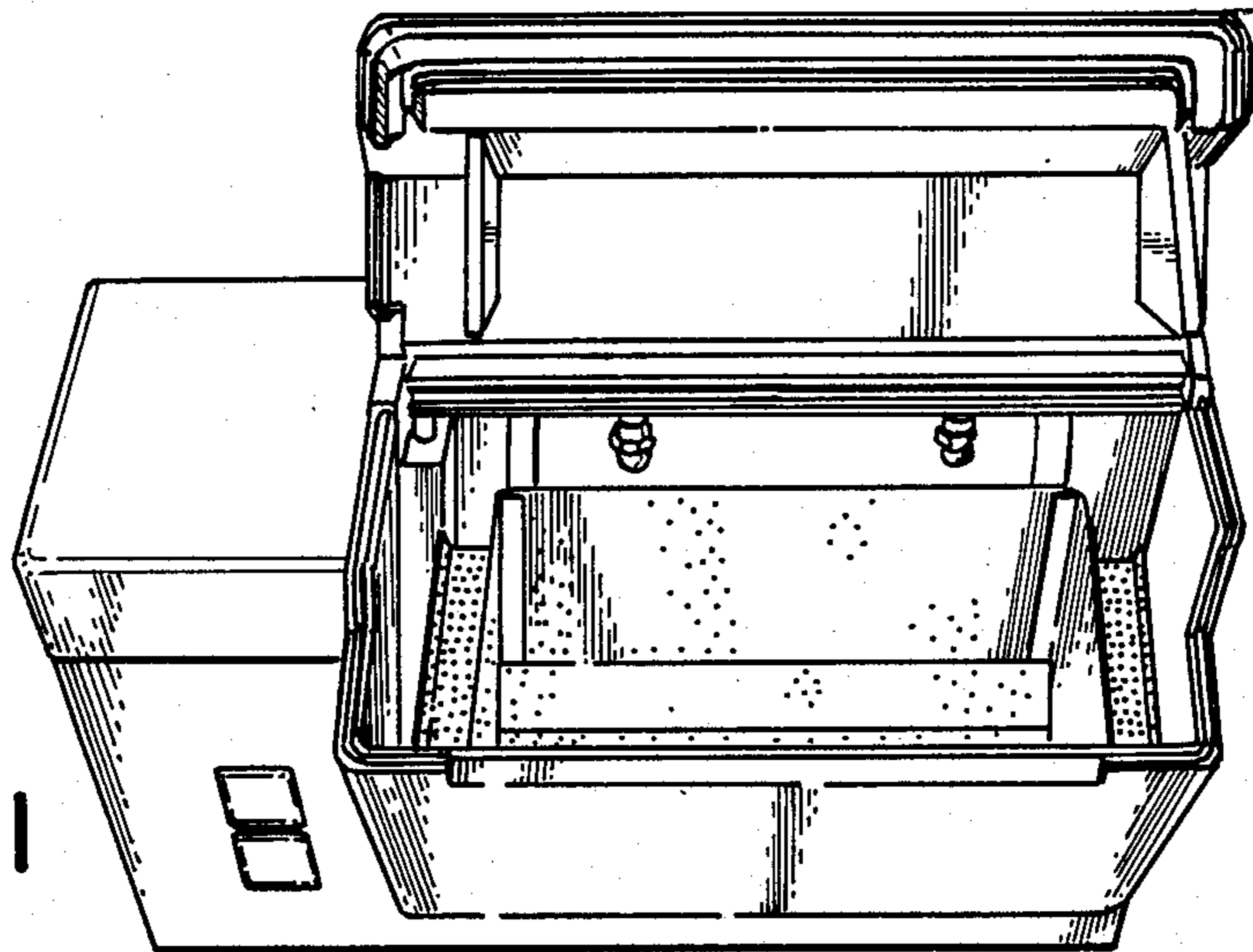


FIG. 1

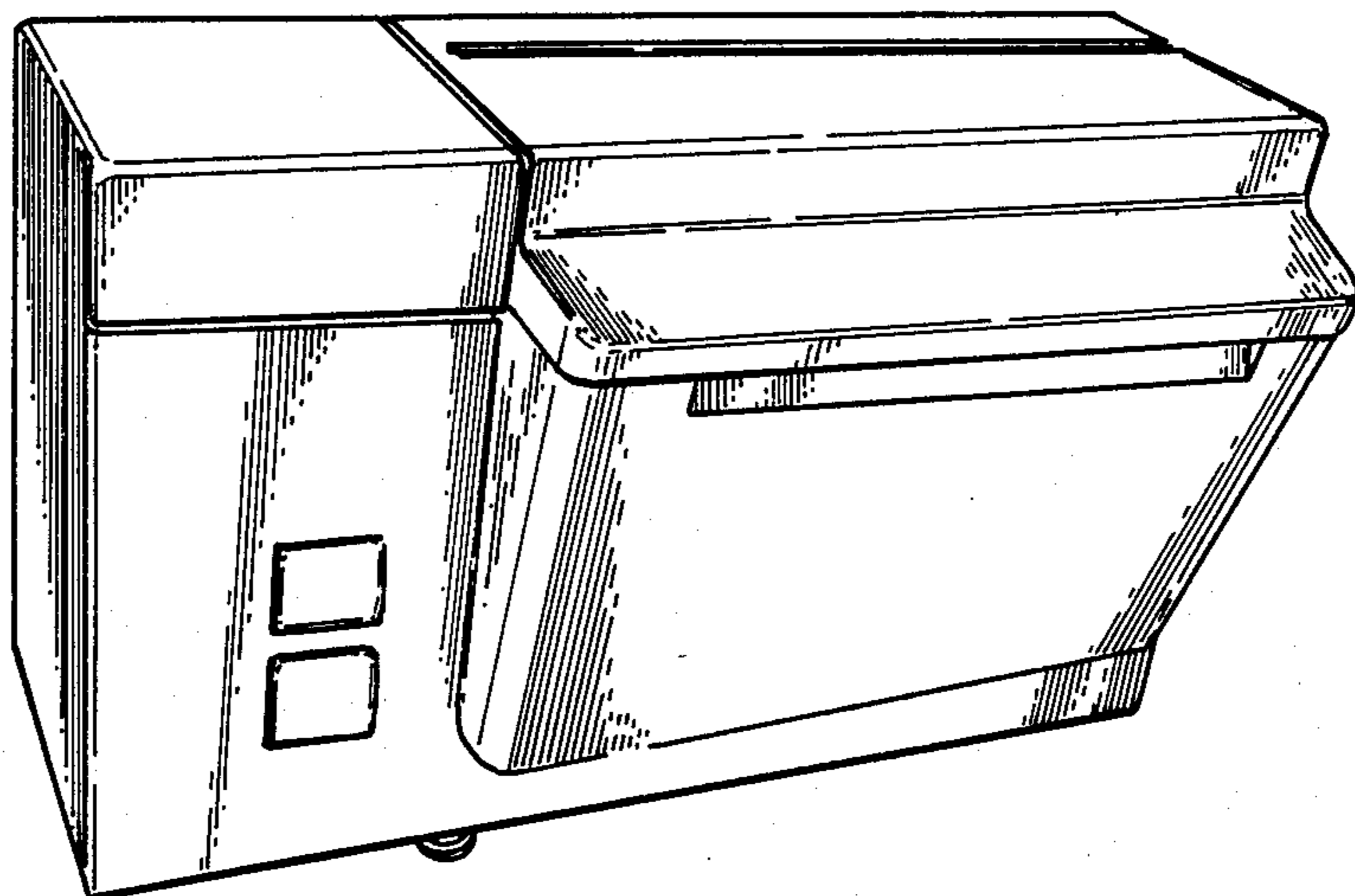


FIG. 2

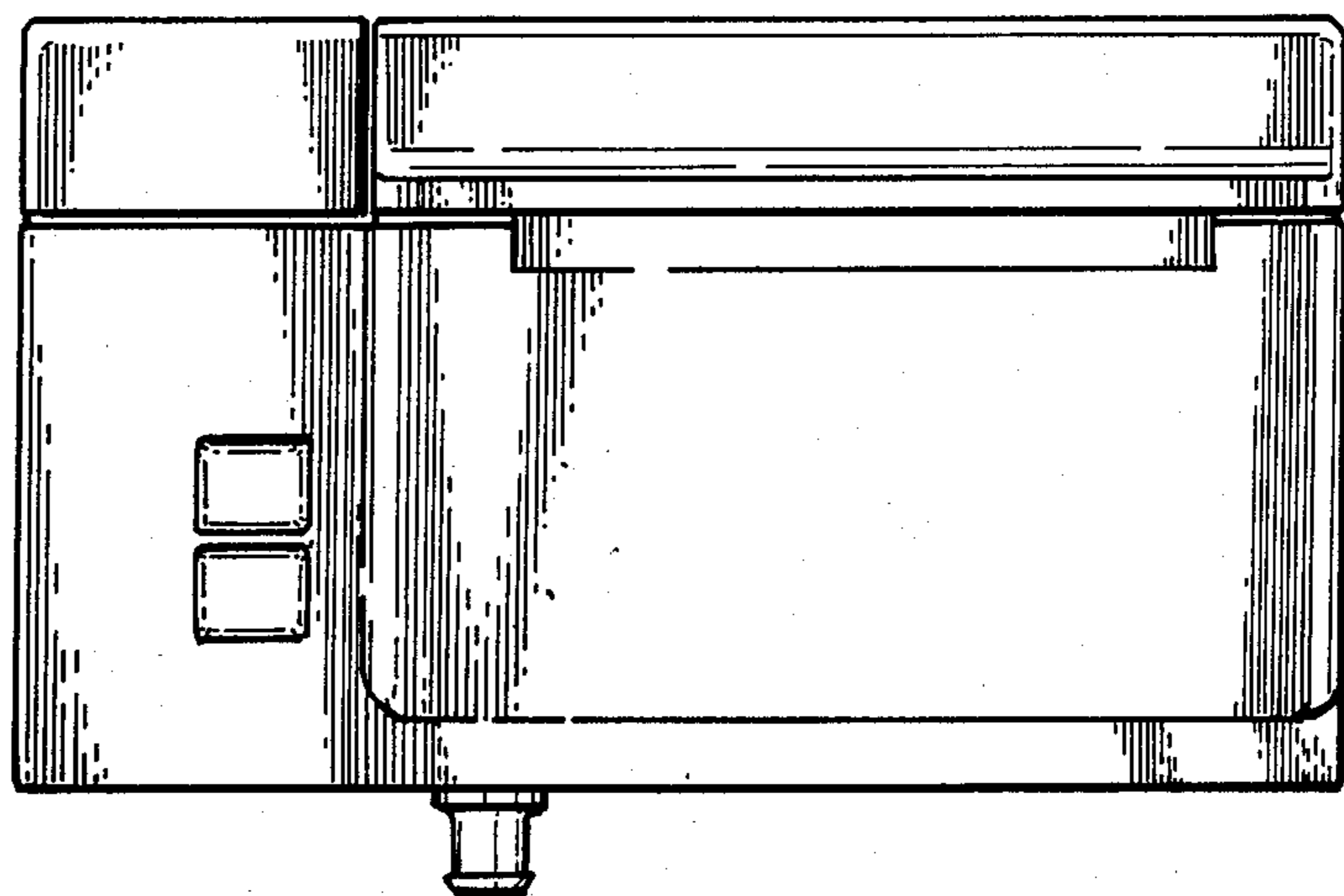


FIG. 3

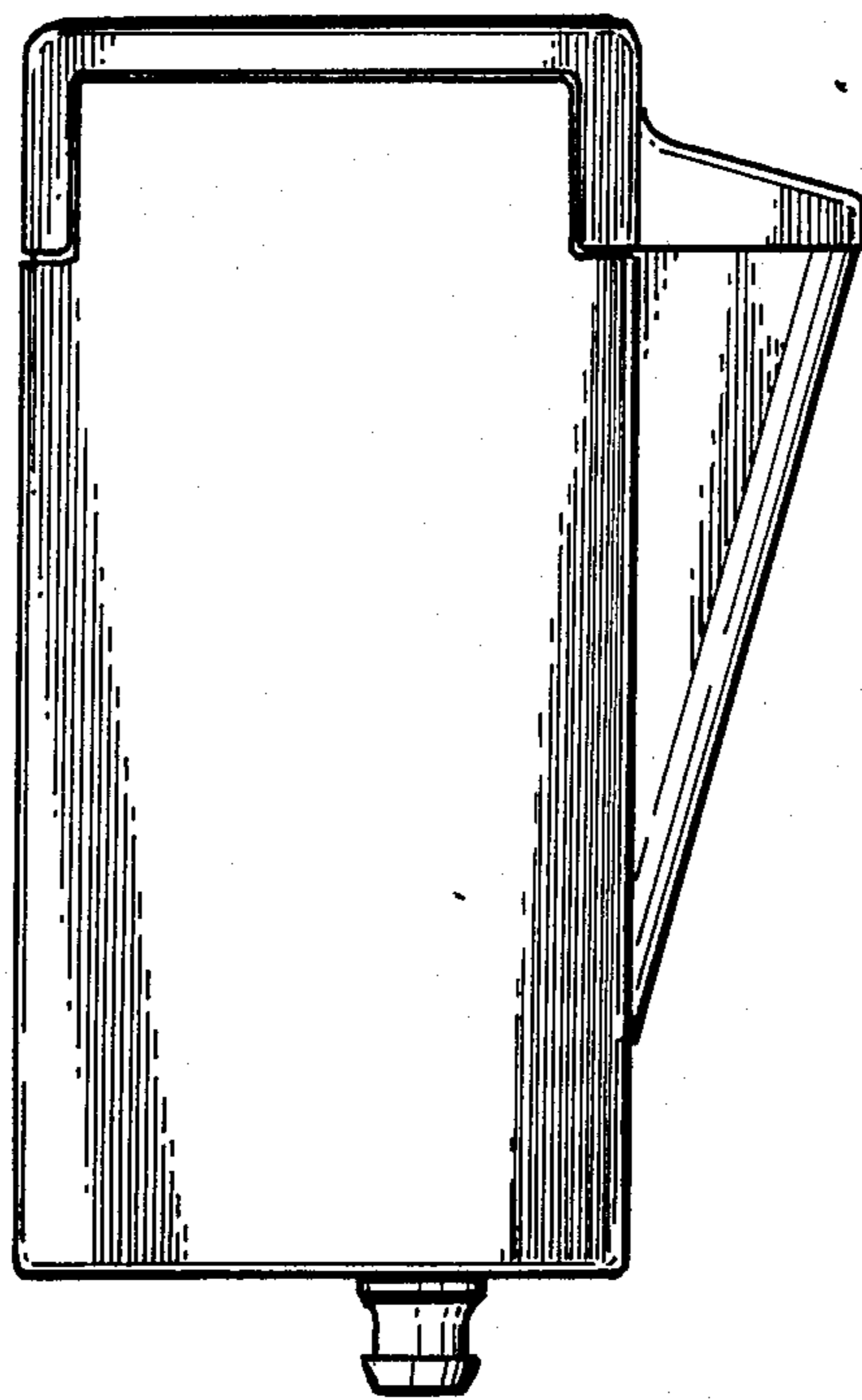


FIG. 4

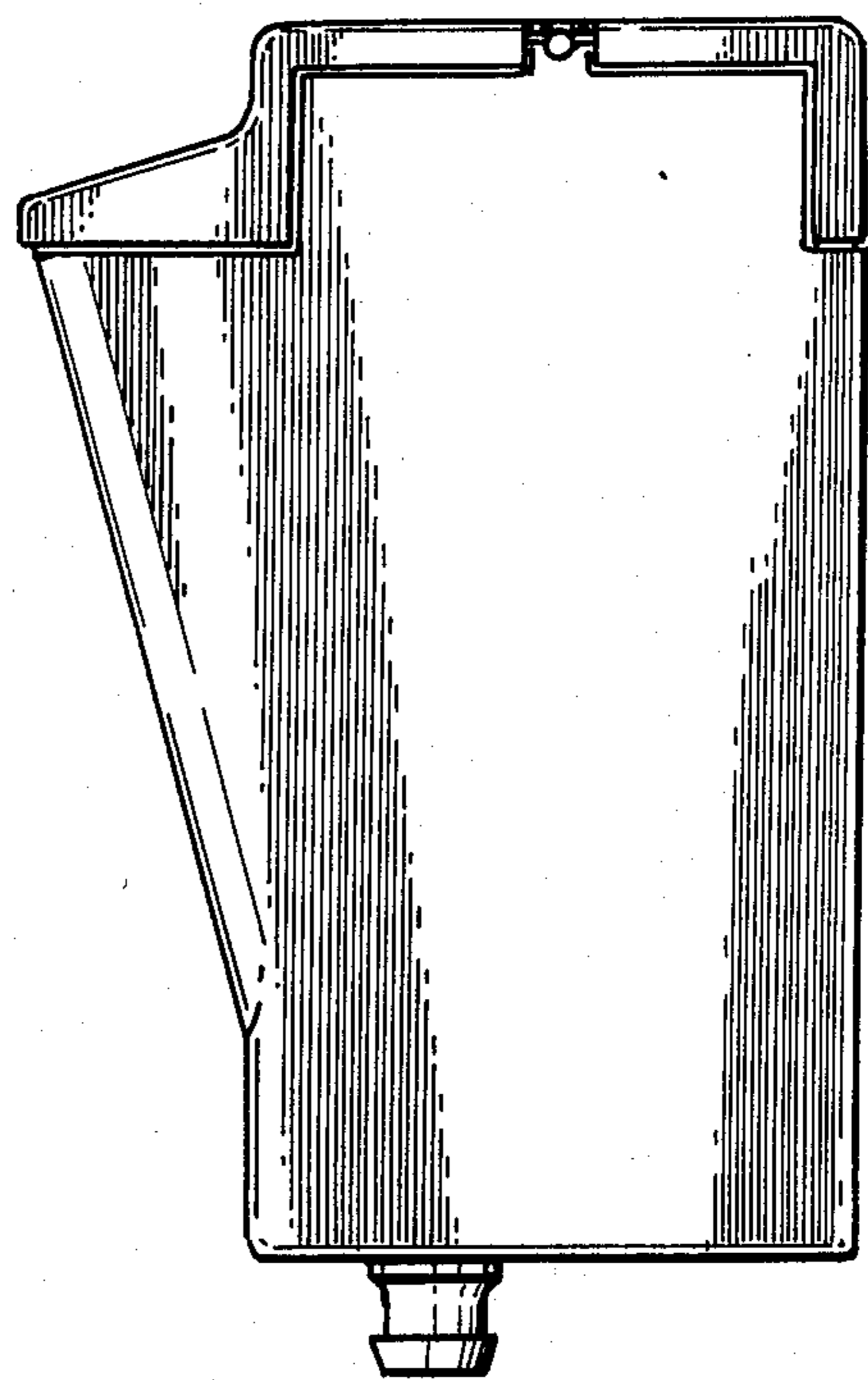


FIG. 5

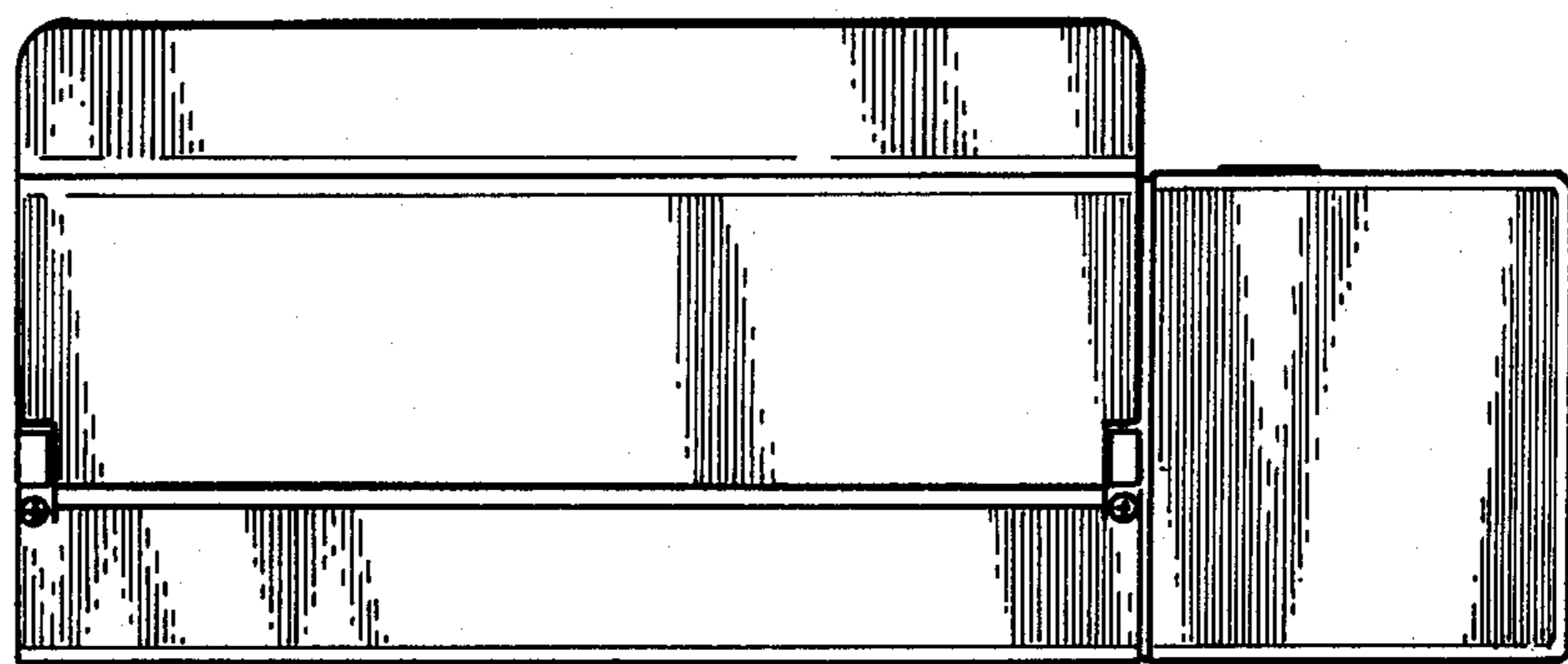


FIG. 6

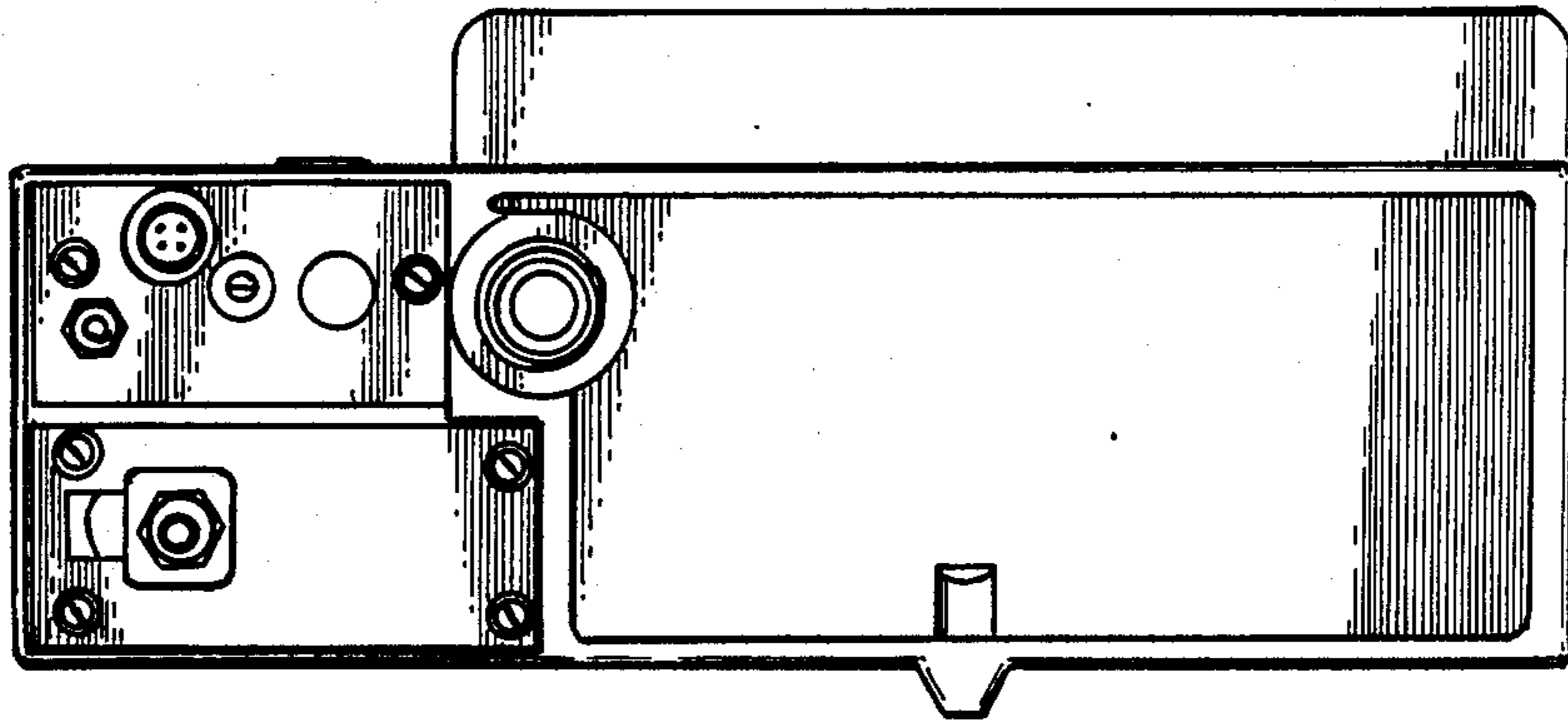


FIG. 7

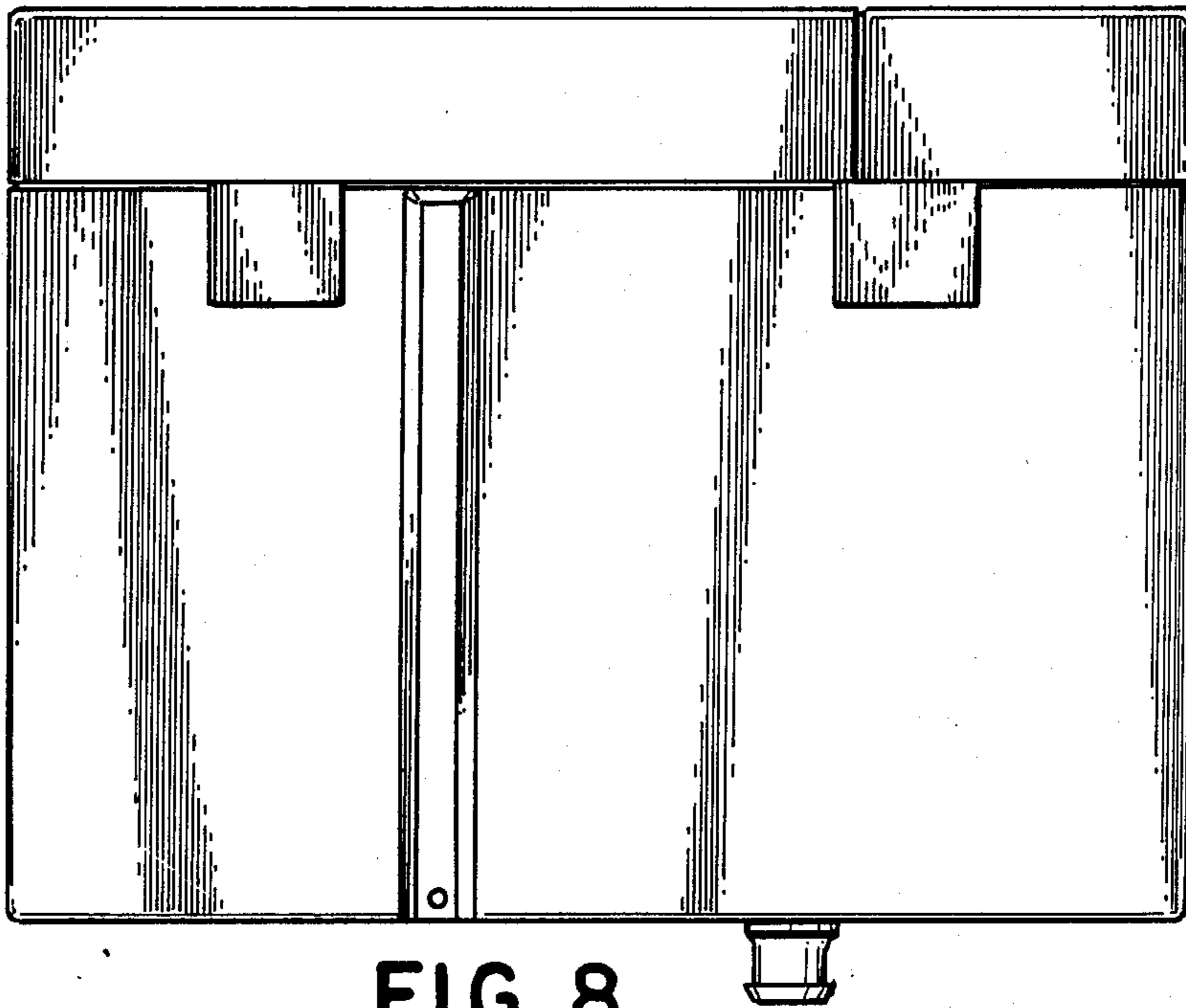


FIG. 8