

[54] COMBINED CONTAINER/BOTTLE AND COSMETIC WAND APPLICATORS OR THE LIKE

[75] Inventors: Henry J. Cassai, 163-47 85th St., Howard Beach, N.Y. 11414; Gino H. Cassai, Brooklyn, N.Y.

[73] Assignee: Henry J. Cassai, Howard Beach, N.Y.

[**] Term: 14 Years

[21] Appl. No.: 337,534

[22] Filed: Apr. 14, 1989

Related U.S. Application Data

[62] Division of Ser. No. 765,394, Aug. 14, 1985.
[52] U.S. Cl. D28/77
[58] Field of Search D28/4-8, D28/61, 73, 76-91.1; D3/39; D9/337, 338, 341, 347, 352, 377, 413; 220/DIG. 26; 206/235, 385, 581, 823; 132/286, 288, 293, 294, 297-301, 303-305, 313-318

References Cited

U.S. PATENT DOCUMENTS

D. 54,833 4/1920 Clodfelter D3/39
D. 183,674 10/1958 Bau D28/7 X
D. 274,008 5/1984 Cassai et al. D28/7
4,165,755 8/1979 Cassai D28/7 X

FOREIGN PATENT DOCUMENTS

2037409 2/1972 Fed. Rep. of Germany D28/7

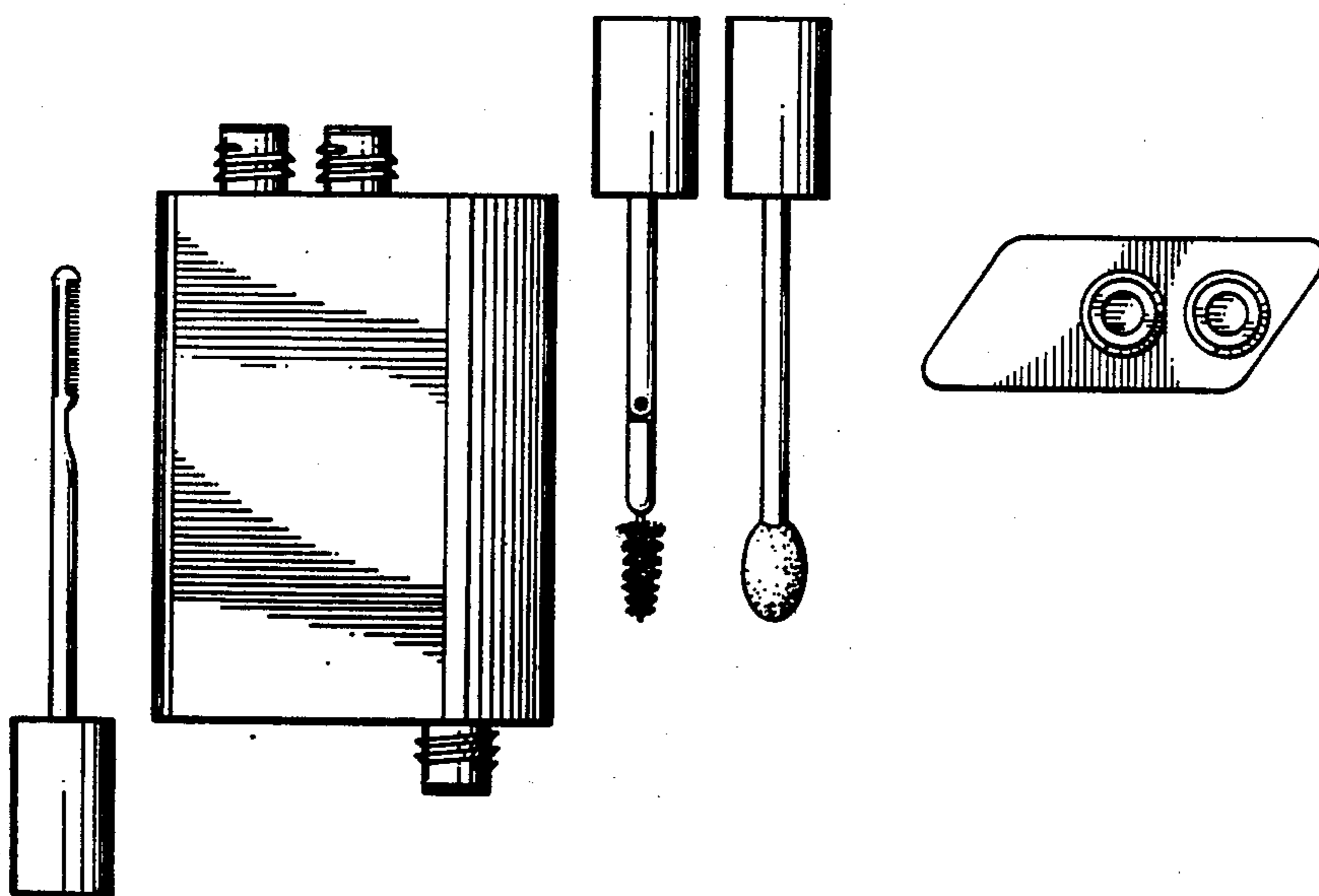
Primary Examiner—Louis S. Zarfes

[57] CLAIM

The ornamental design for: combined container/bottle and cosmetic wand applicators or the like, as shown and described.

DESCRIPTION

FIG. 1 is a partially exploded front elevational view of a "combined container/bottle and cosmetic wand applicators or the like", showing our new design; FIG. 2 is an exploded rear elevational view thereof; FIG. 3 is a side elevational view of FIG. 1, the opposite side being the same; FIG. 4 is another side elevational view showing a second embodiment of our new design wherein the caps are modified; FIG. 5 is a top plan view of FIG. 1 with caps removed; FIG. 6 is a bottom plan view thereof with cap removed; FIG. 7 is another partially exploded front elevational view showing a third embodiment of our new design; FIG. 8 is an exploded rear elevational view thereof; FIG. 9 is a side elevational view of FIG. 7; the opposite side being the same; FIG. 10 is another side elevational view showing a fourth embodiment of our new design wherein the caps have been modified; FIG. 11 is a top plan view of FIG. 7; with caps removed; and FIG. 12 is a bottom plan view thereof with cap removed. FIG. 13 is a front elevational view of the first embodiment in closed position; FIG. 14 is a front elevational view of the third embodiment.



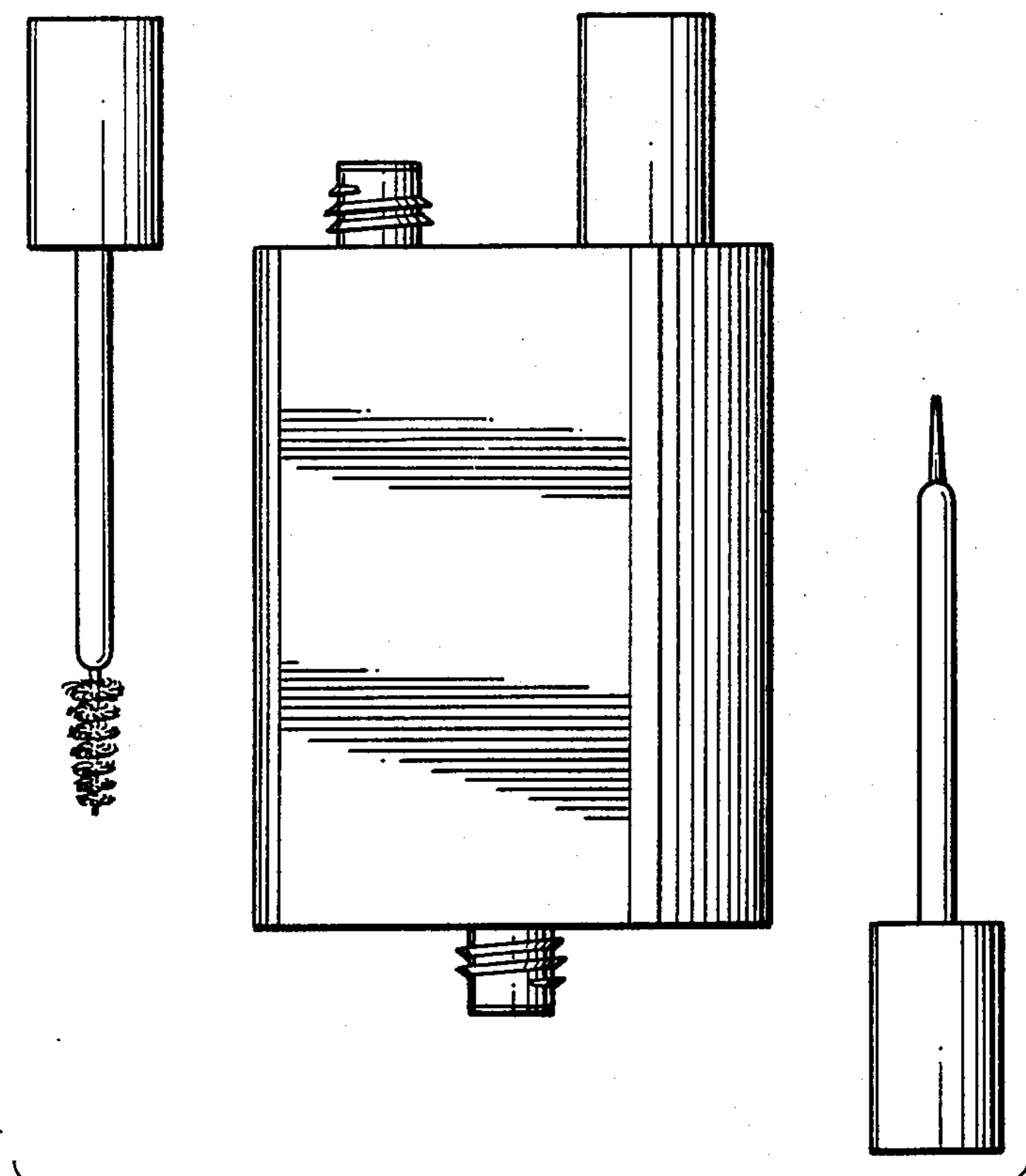


FIG. 1



FIG. 3

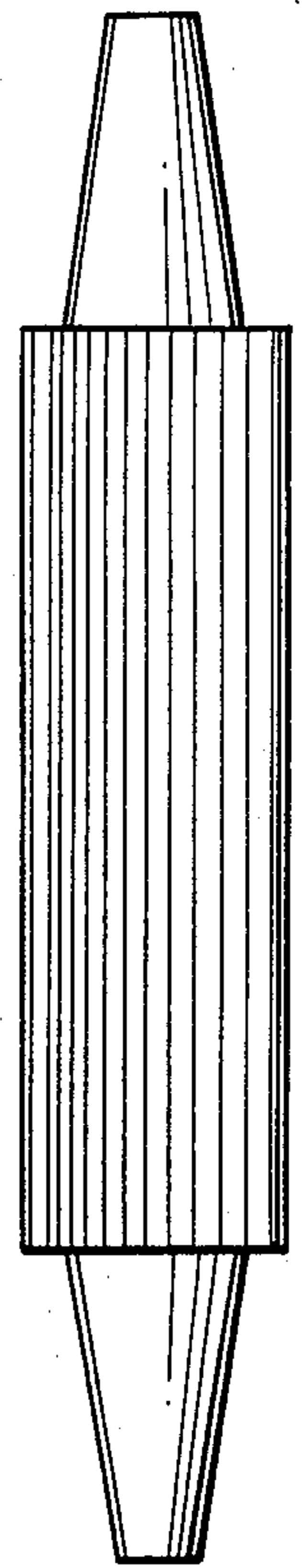


FIG. 4

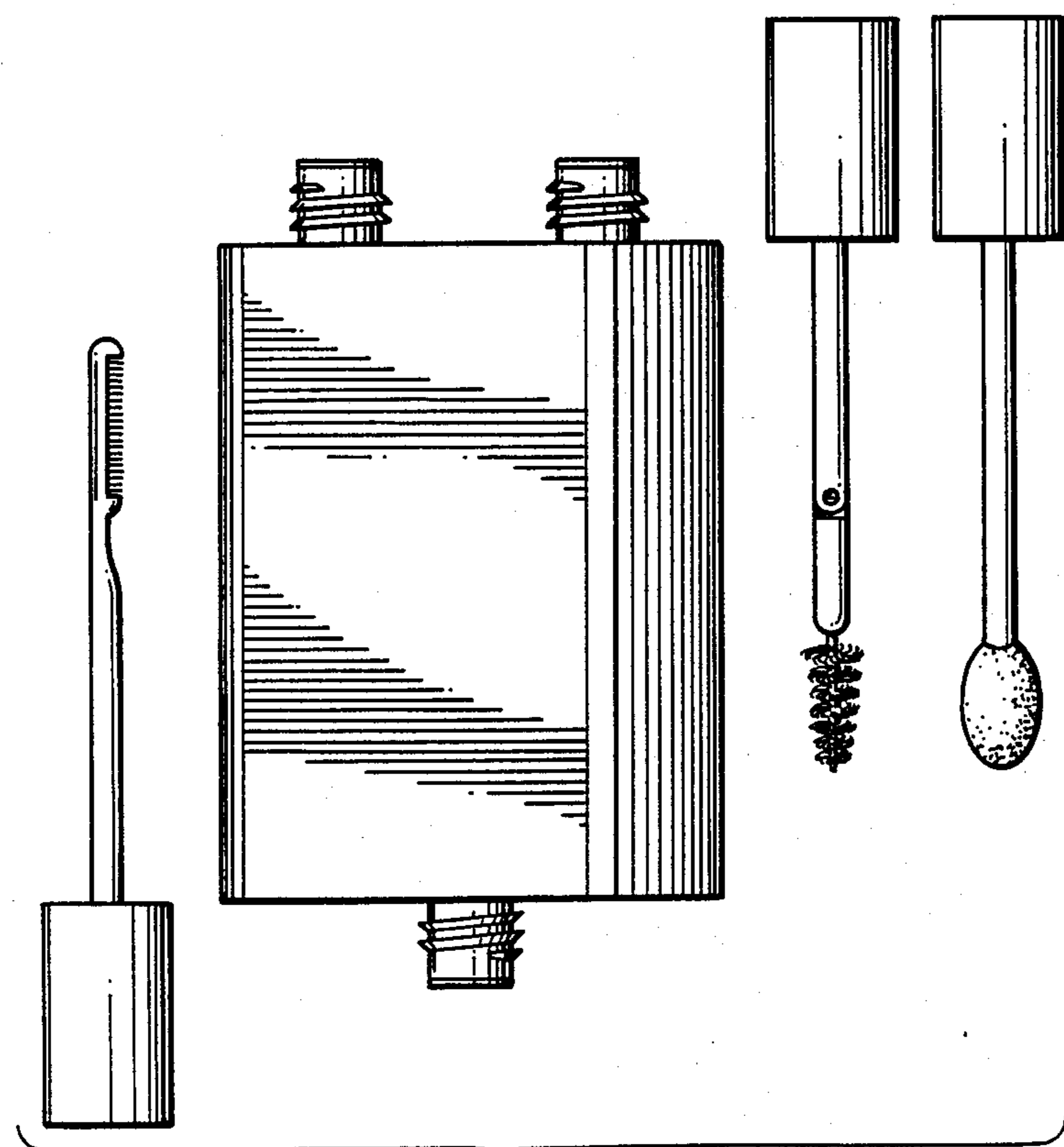


FIG. 2

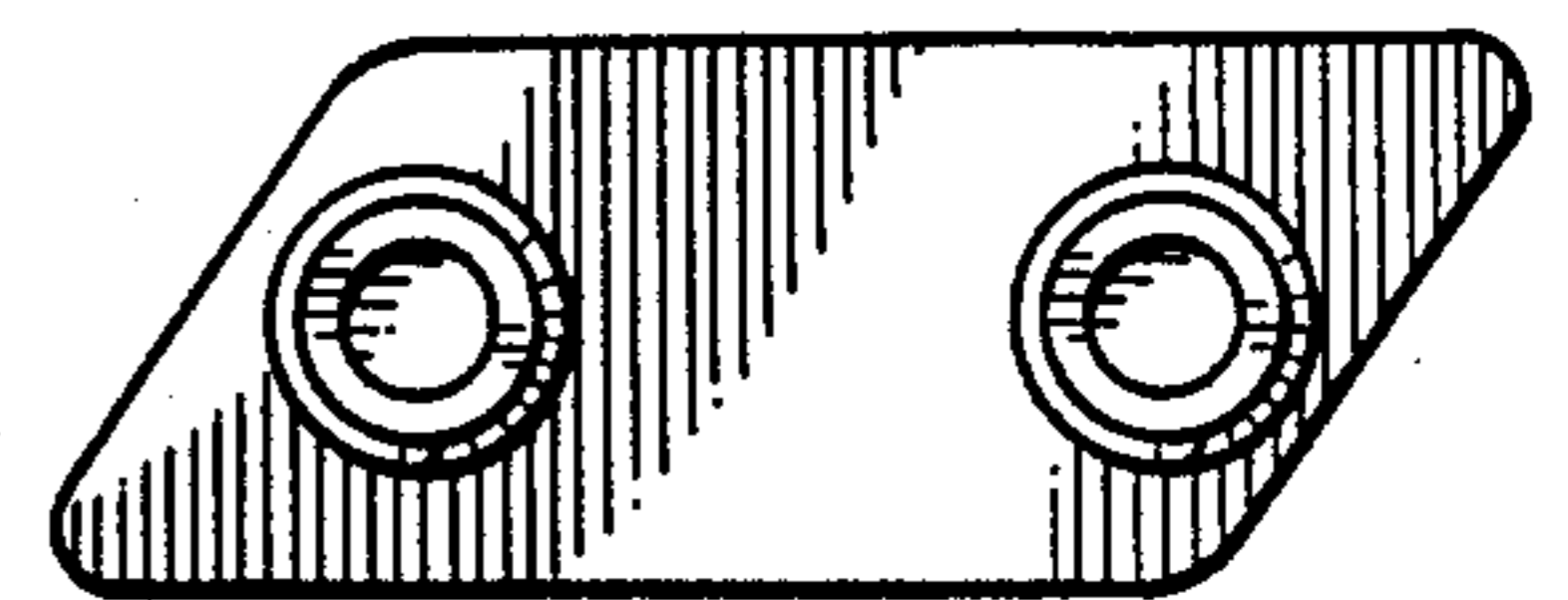


FIG. 5

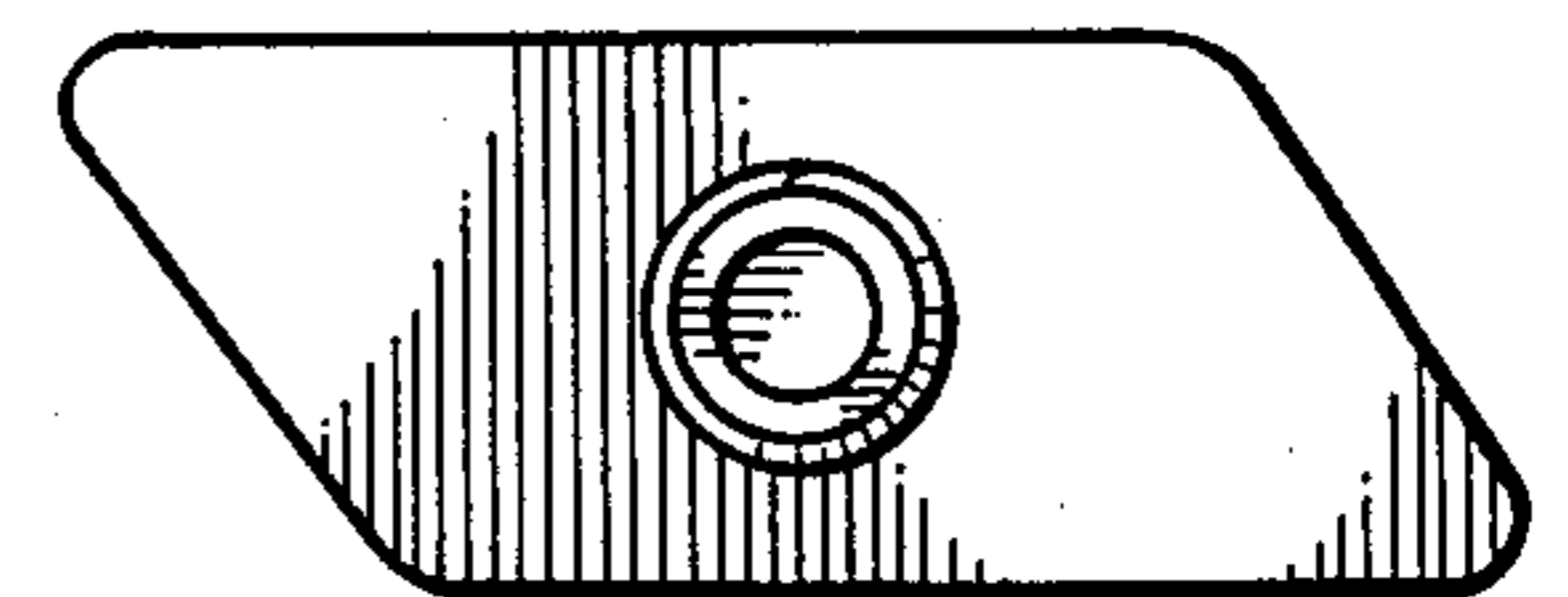


FIG. 6

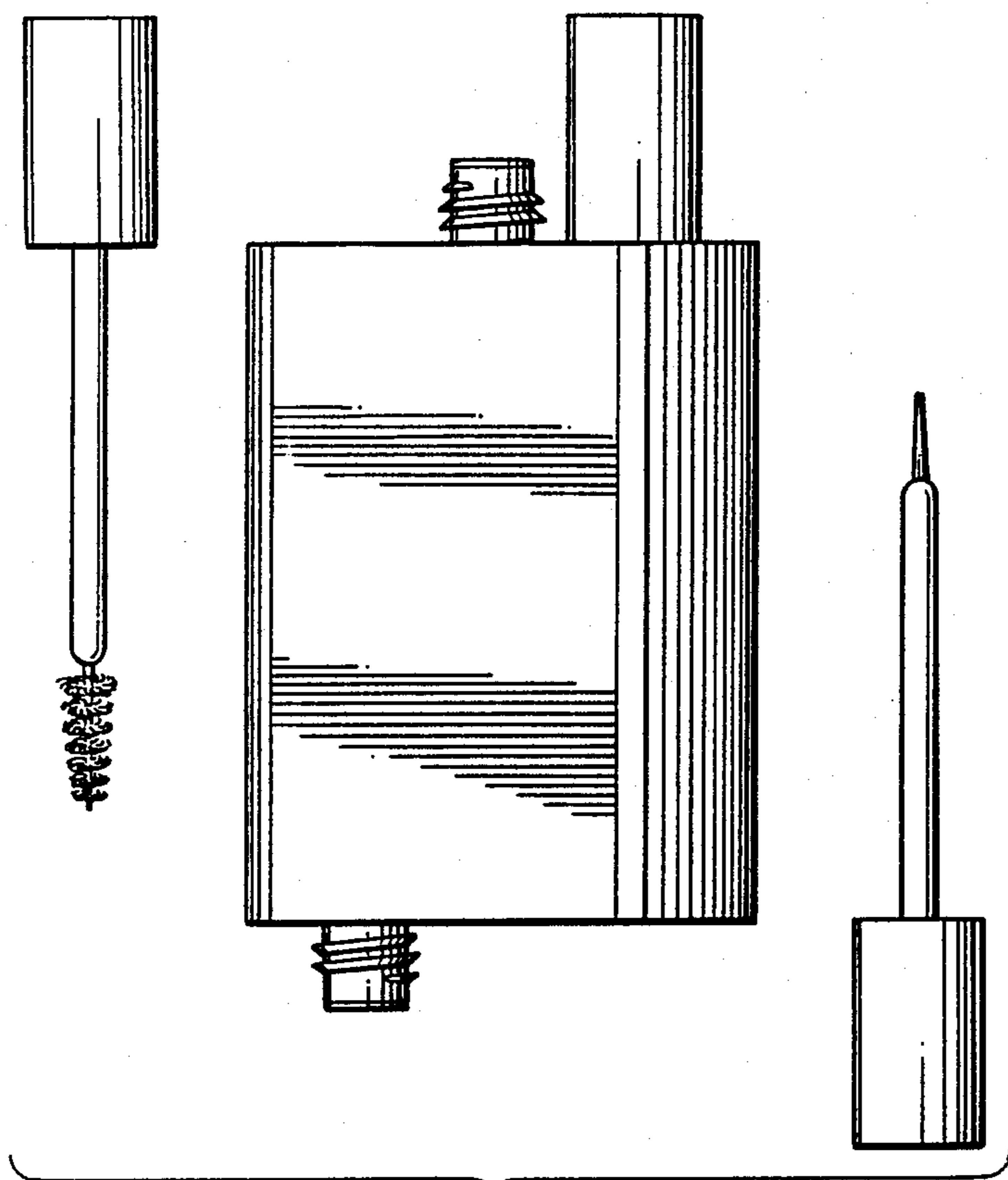


FIG. 7



FIG. 9

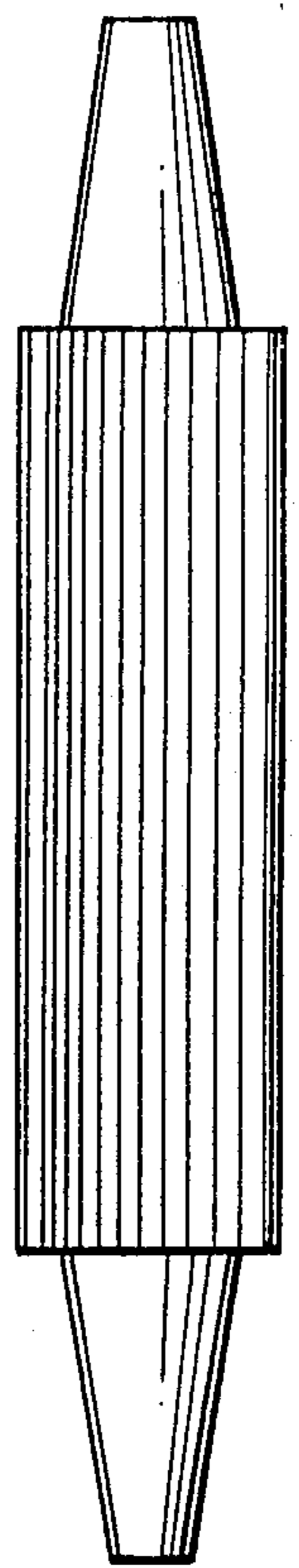


FIG. 10

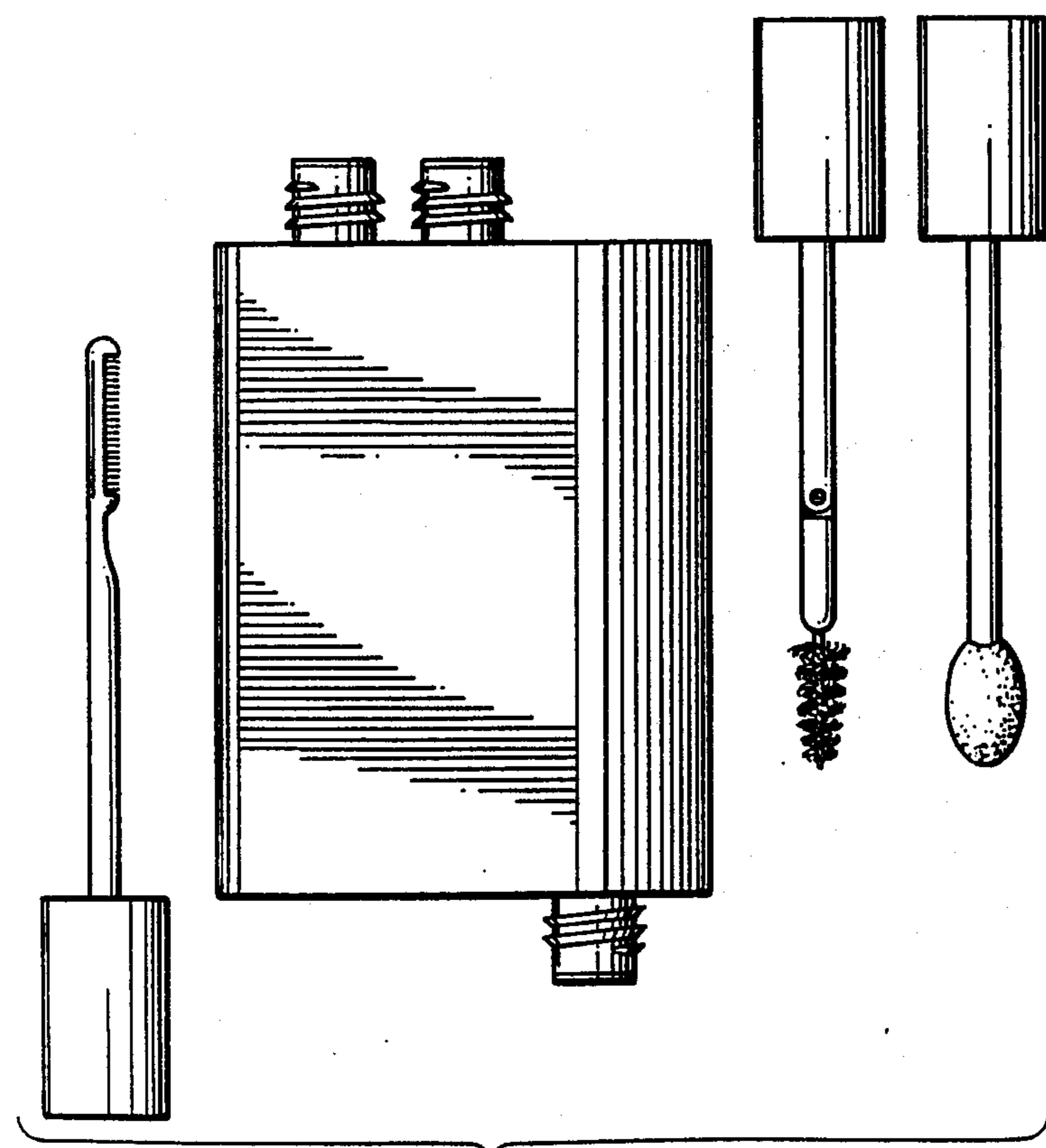


FIG. 8

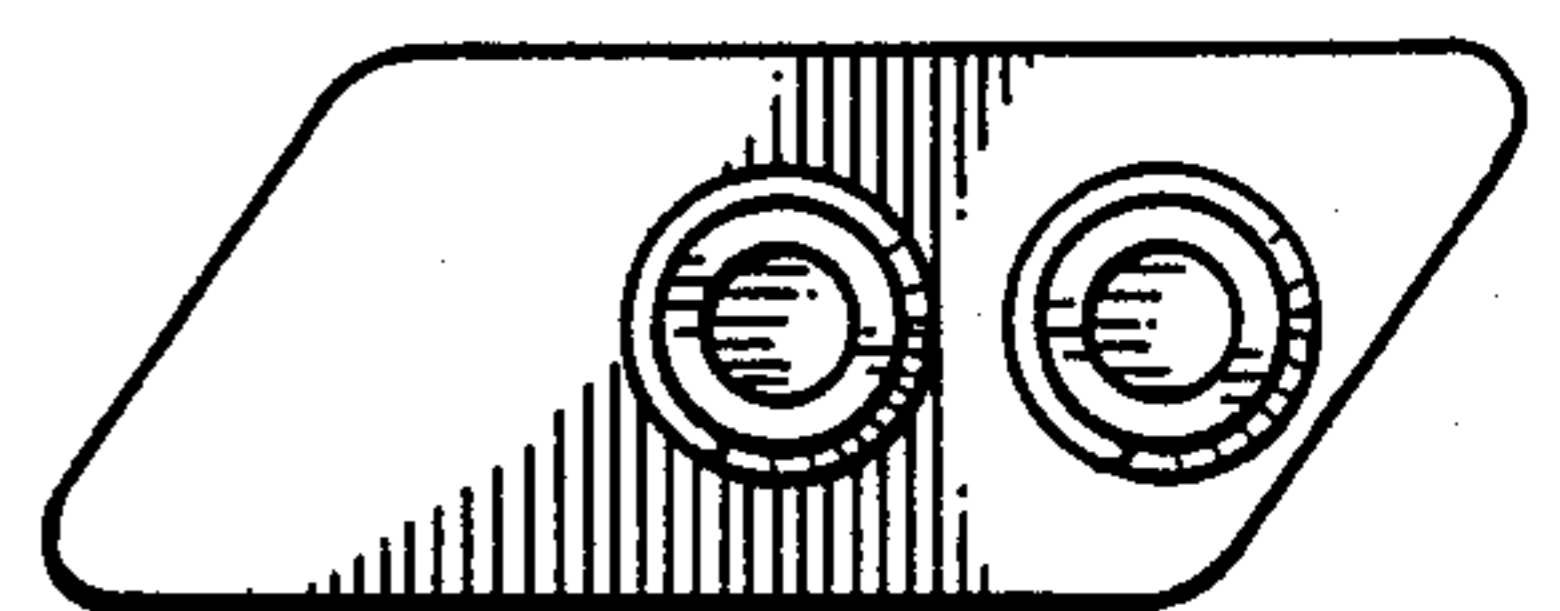


FIG. 11

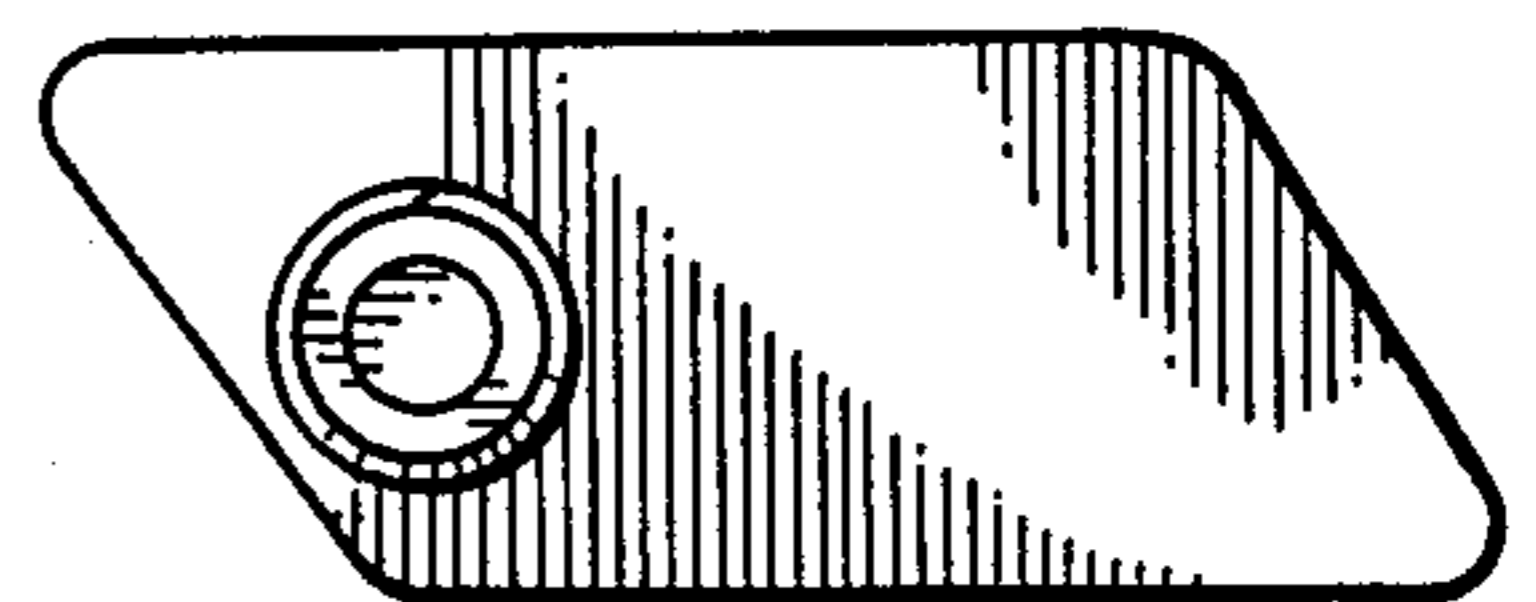


FIG. 12

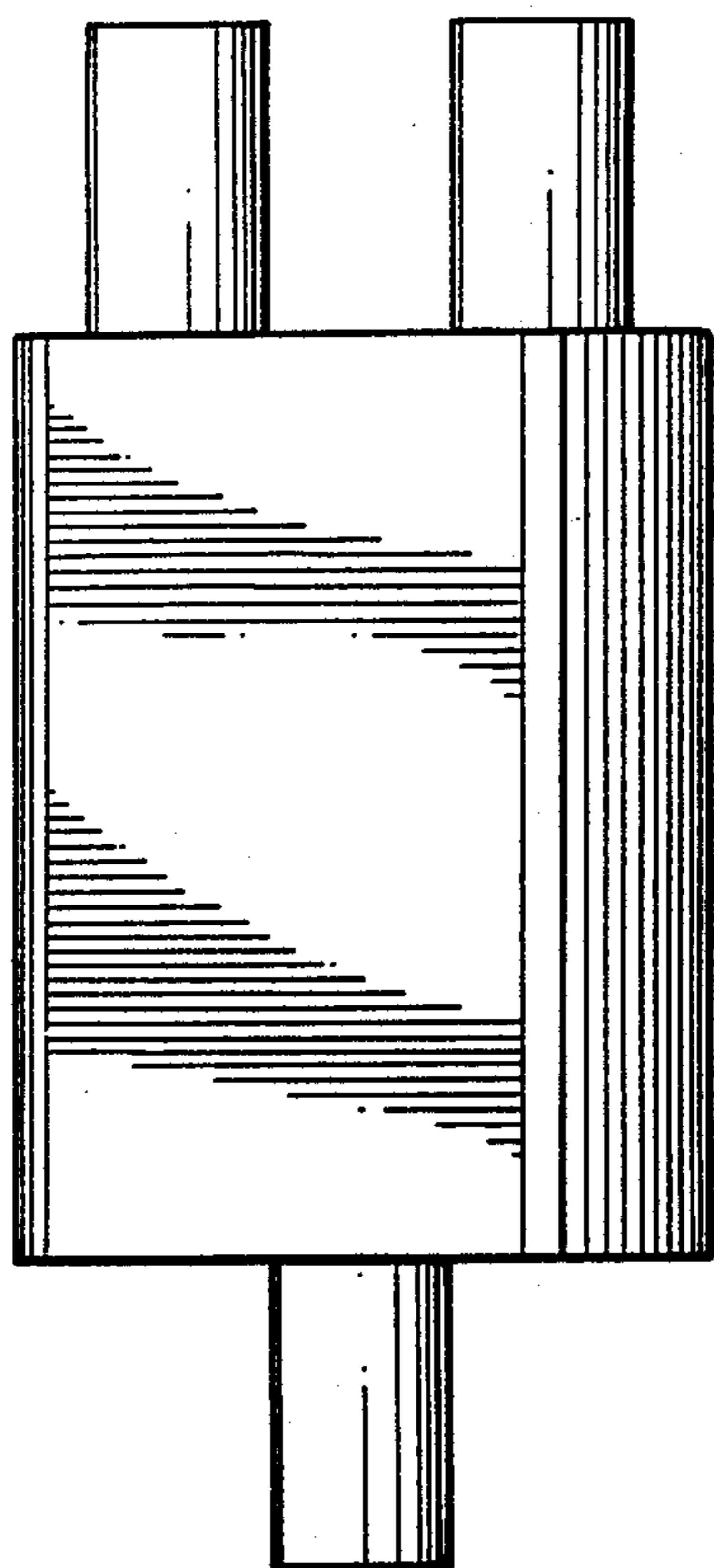


FIG. 13

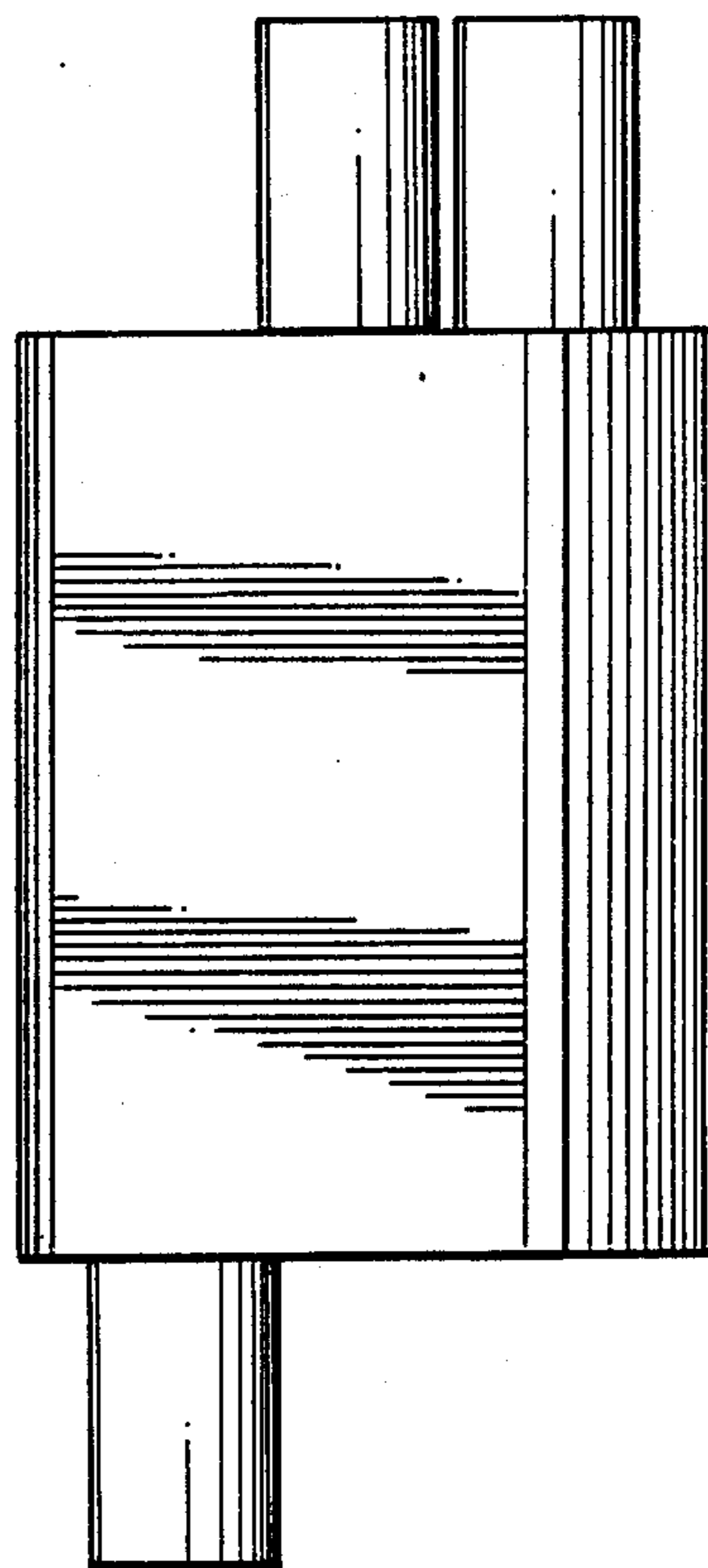


FIG. 14