

[54] OFFICE LIGHT FIXTURE

[75] Inventors: James O. Kelley, Spring Lake, Mich.; Donald J. Staufenberg, Berea, Ohio

[73] Assignee: Herman Miller, Inc., Zeeland, Mich.

[\*\*] Term: 14 Years

[21] Appl. No.: 39,362

[22] Filed: Apr. 16, 1987

[52] U.S. Cl. .... D26/24; D26/72

[58] Field of Search ..... 362/432, 147, 310, 311, 362/362, 370-373, 804, 33, 127; D26/72, 80-92, 24

[56] References Cited

U.S. PATENT DOCUMENTS

D. 95,490	5/1935	DeVries .	
D. 146,992	6/1947	Stone et al. .	
D. 173,841	1/1955	Franks .....	D26/60
D. 230,188	1/1974	Longato .	
D. 260,688	9/1981	Wotowiec et al. ....	D26/142
D. 266,958	11/1982	Gernhardt .....	D26/92
D. 268,529	4/1983	Lebowitz .....	D26/65
D. 278,461	4/1985	Pepall .....	D26/68
3,315,073	4/1967	Araki .	
4,262,327	4/1981	Kovacik et al. ....	362/362 X

4,384,318	5/1983	Reibling .....	362/362 X
4,494,175	1/1985	Gawad et al. ....	362/290 X
4,525,773	6/1985	Hesse .....	362/413
4,598,340	7/1986	Dwosh et al. .	

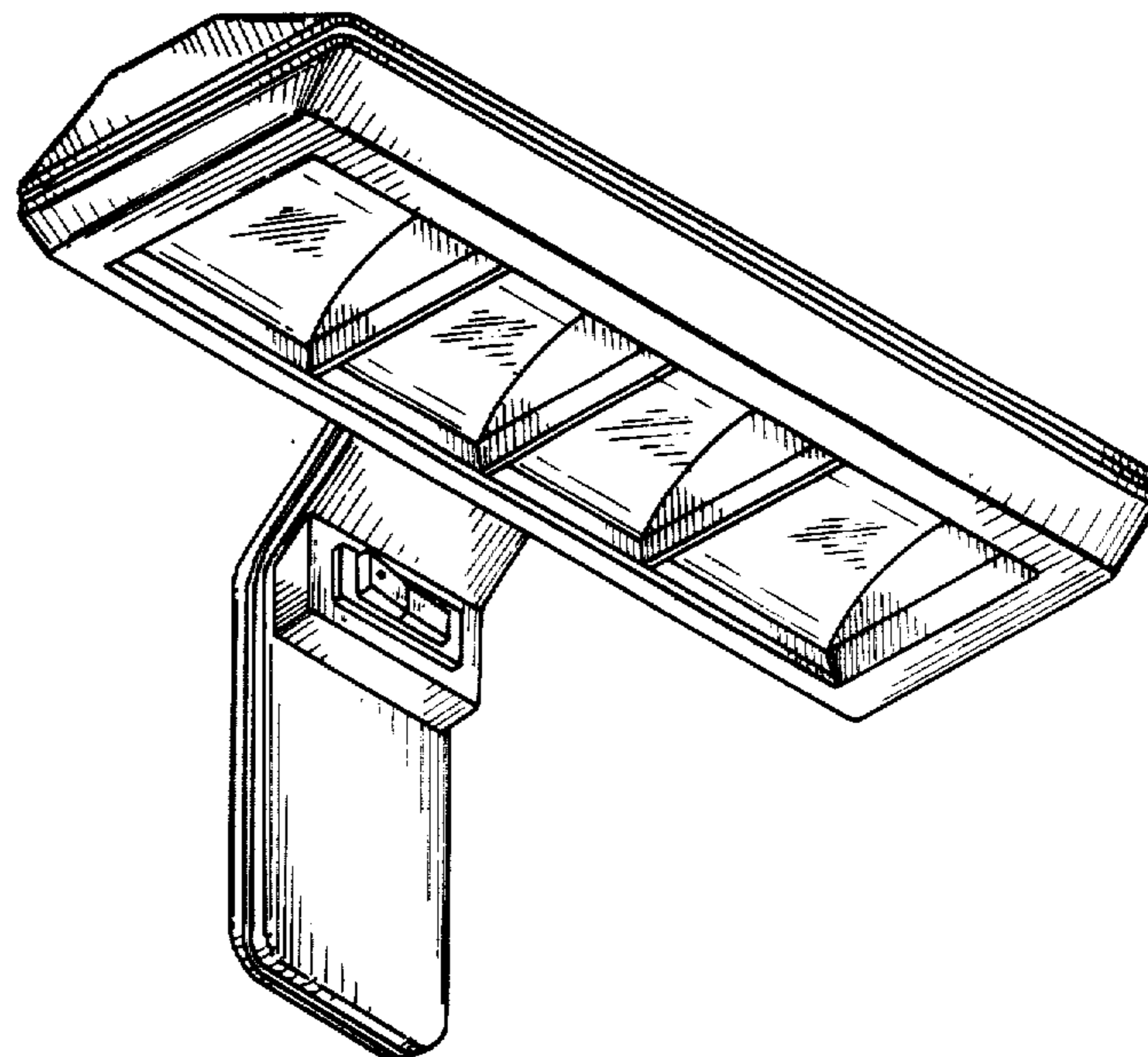
Primary Examiner—Susan J. Lucas  
Attorney, Agent, or Firm—Varnum, Riddering, Schmidt & Howlett

[57] CLAIM

The ornamental design for a office light fixture, as shown and described.

DESCRIPTION

FIG. 1 is a front, right-side, bottom perspective view of a office light fixture showing our new design;  
 FIG. 2 is a top, left-side, back perspective view thereof;  
 FIG. 3 is a front elevational view thereof;  
 FIG. 4 is a top plan view thereof;  
 FIG. 5 is a bottom plan view thereof;  
 FIG. 6 is a right-side elevational view thereof, with the left-side elevational view being a mirror image thereof;  
 FIG. 7 is a back elevational view thereof;  
 FIG. 8 is a top, left-side perspective view of a second embodiment of our new design;  
 FIG. 9 is a right-side elevational view thereof,  
 FIG. 10 is a bottom plan view thereof; and  
 FIG. 11 is a bottom, front perspective view thereof.



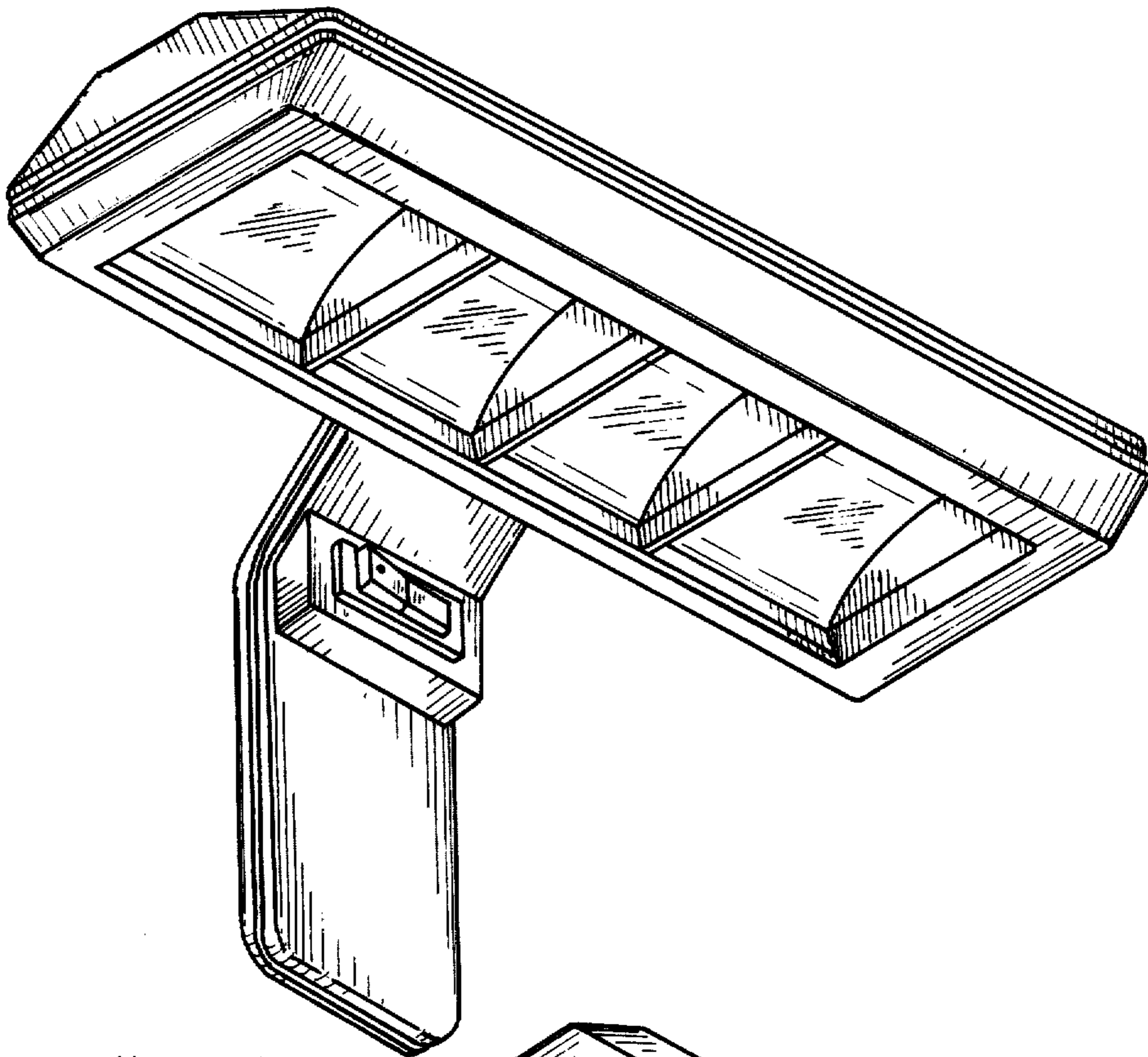


FIG. 1

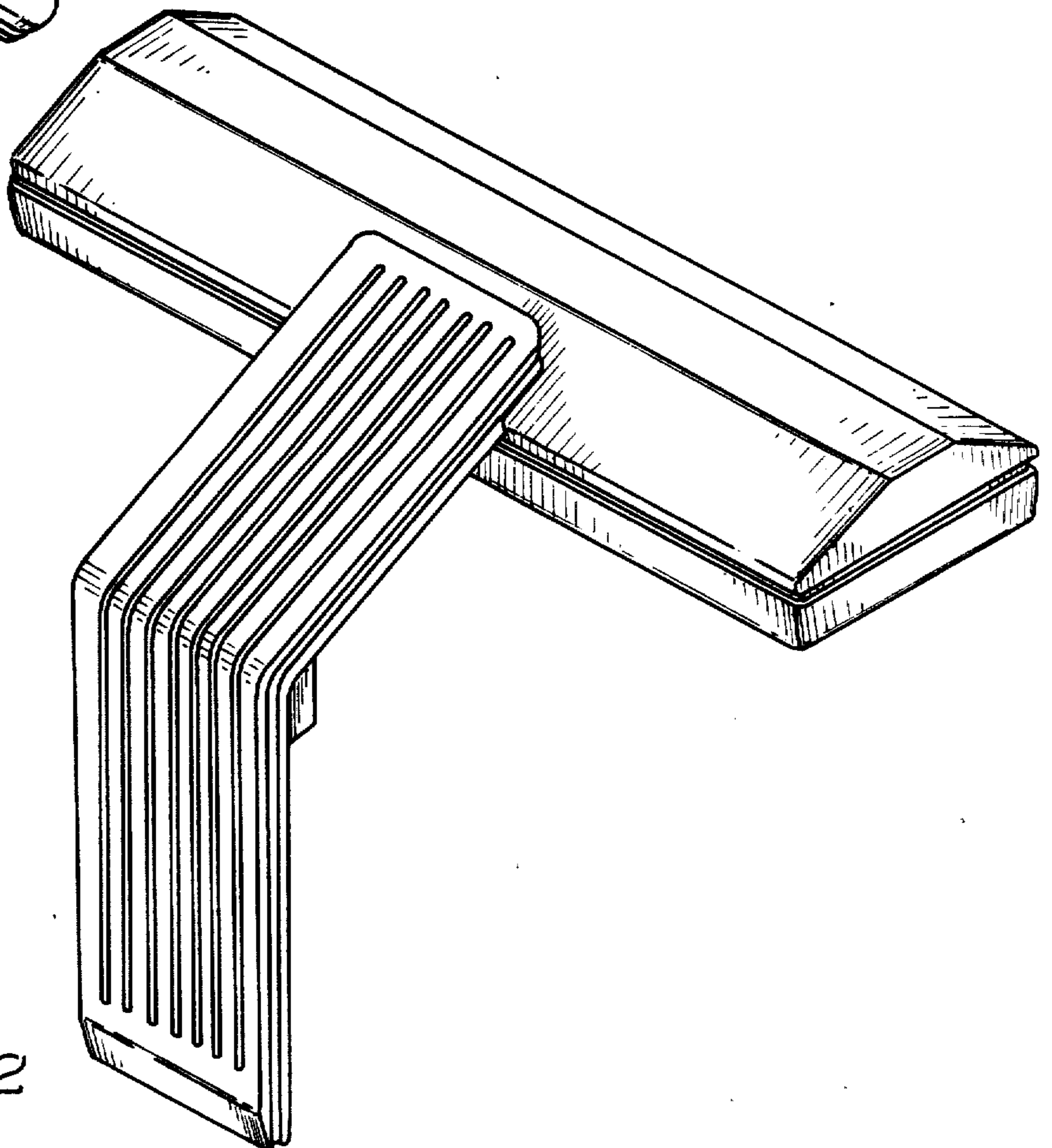


FIG. 2

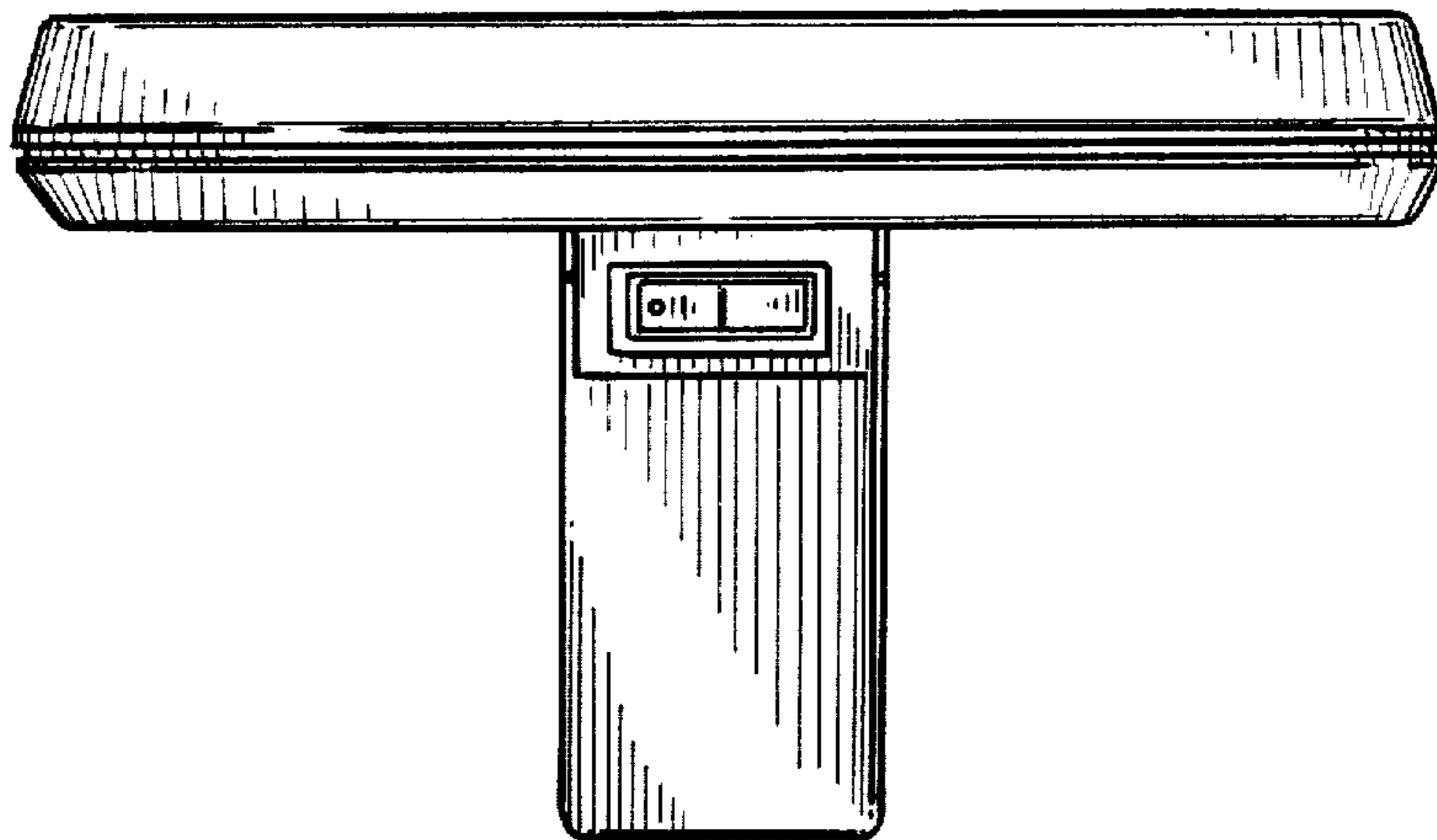


FIG. 3

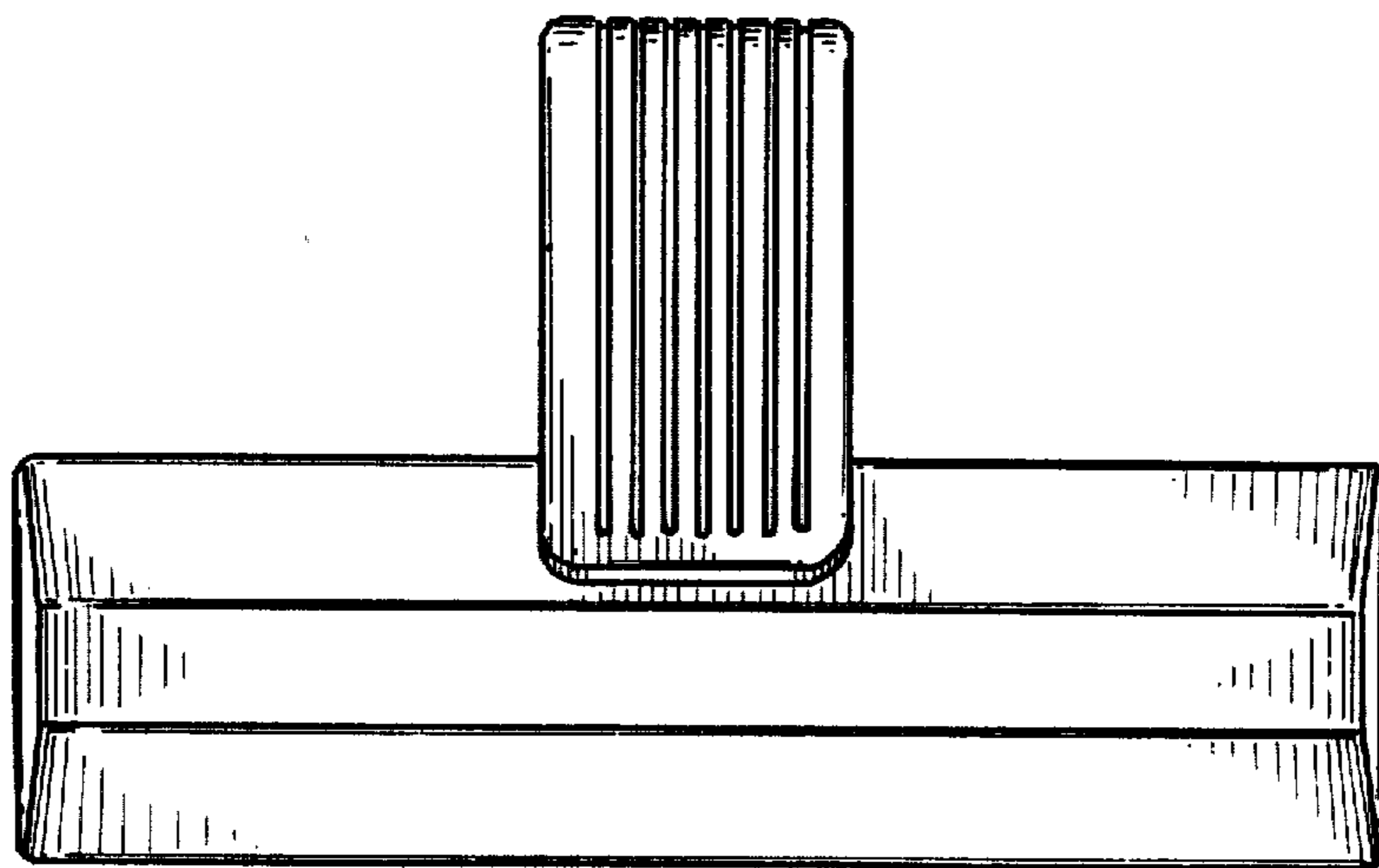


FIG. 4

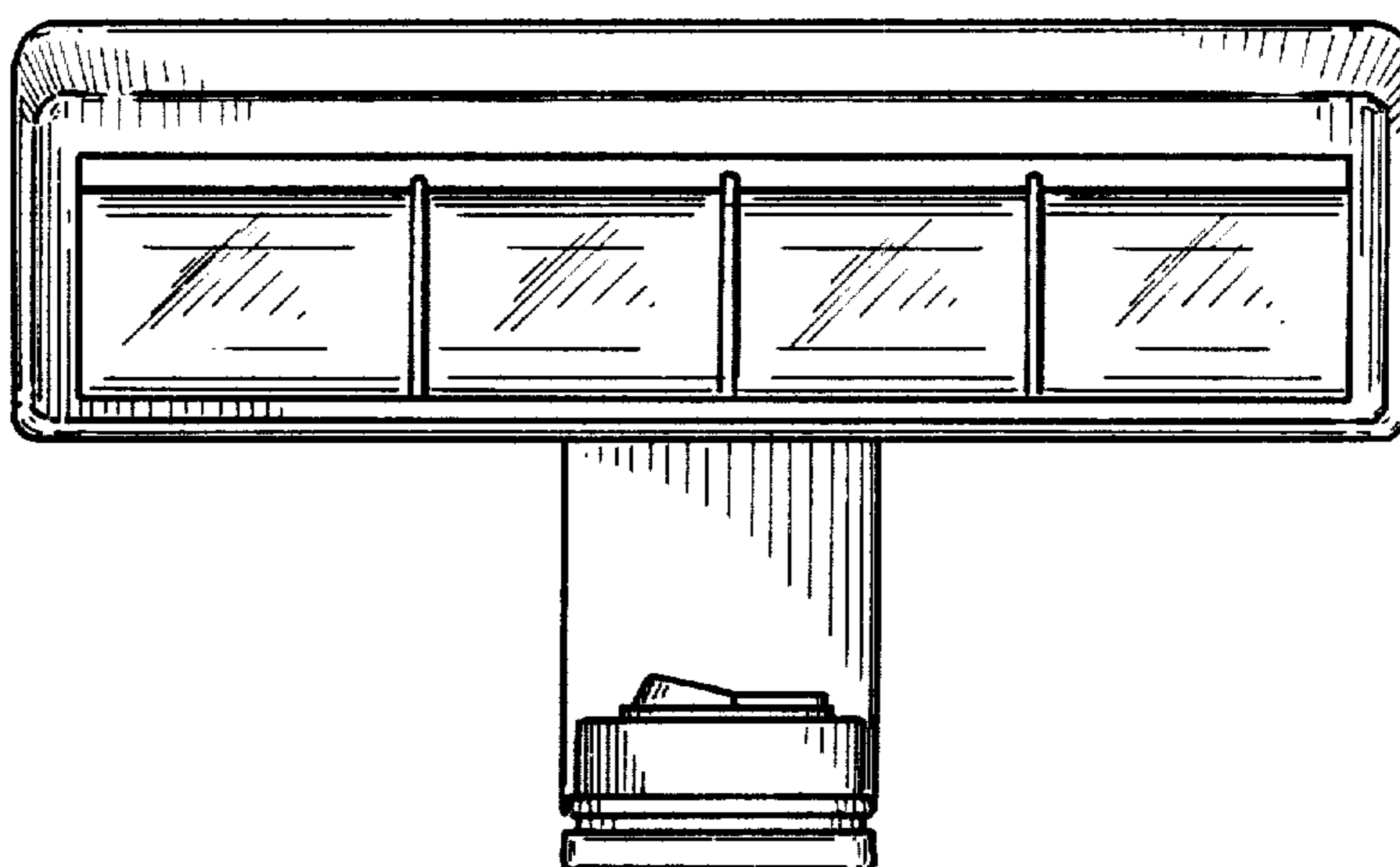


FIG. 5

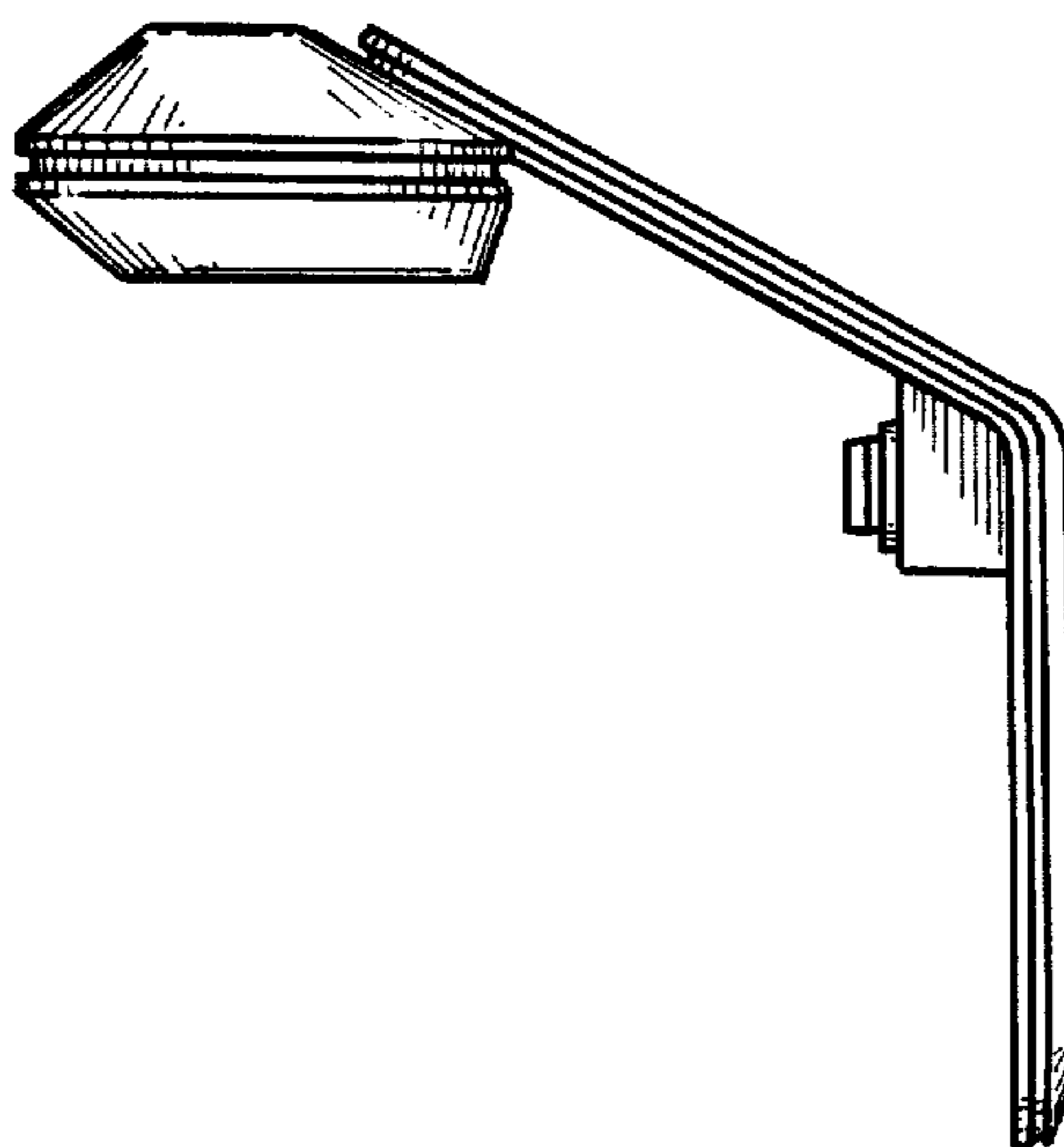


FIG. 6

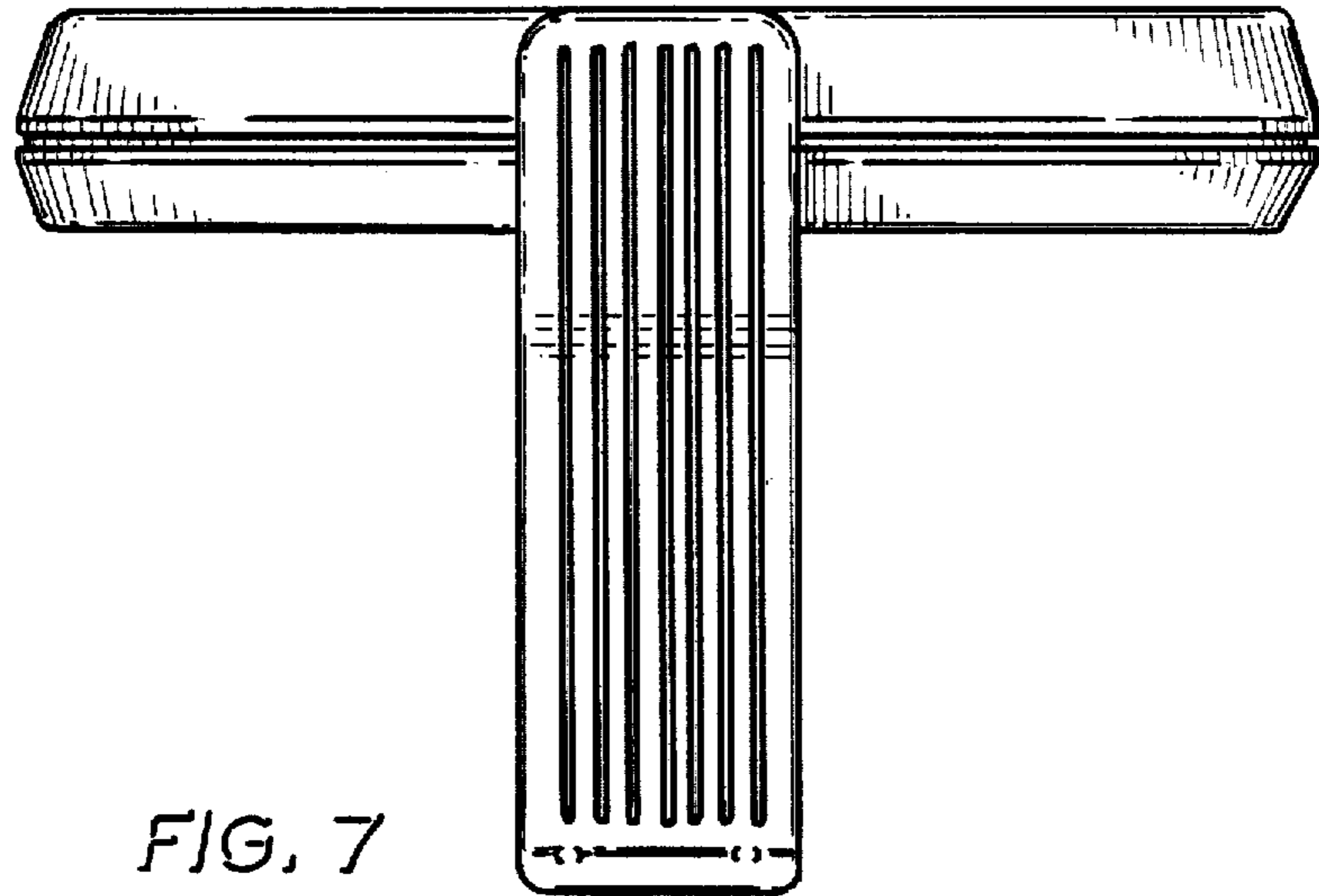


FIG. 7

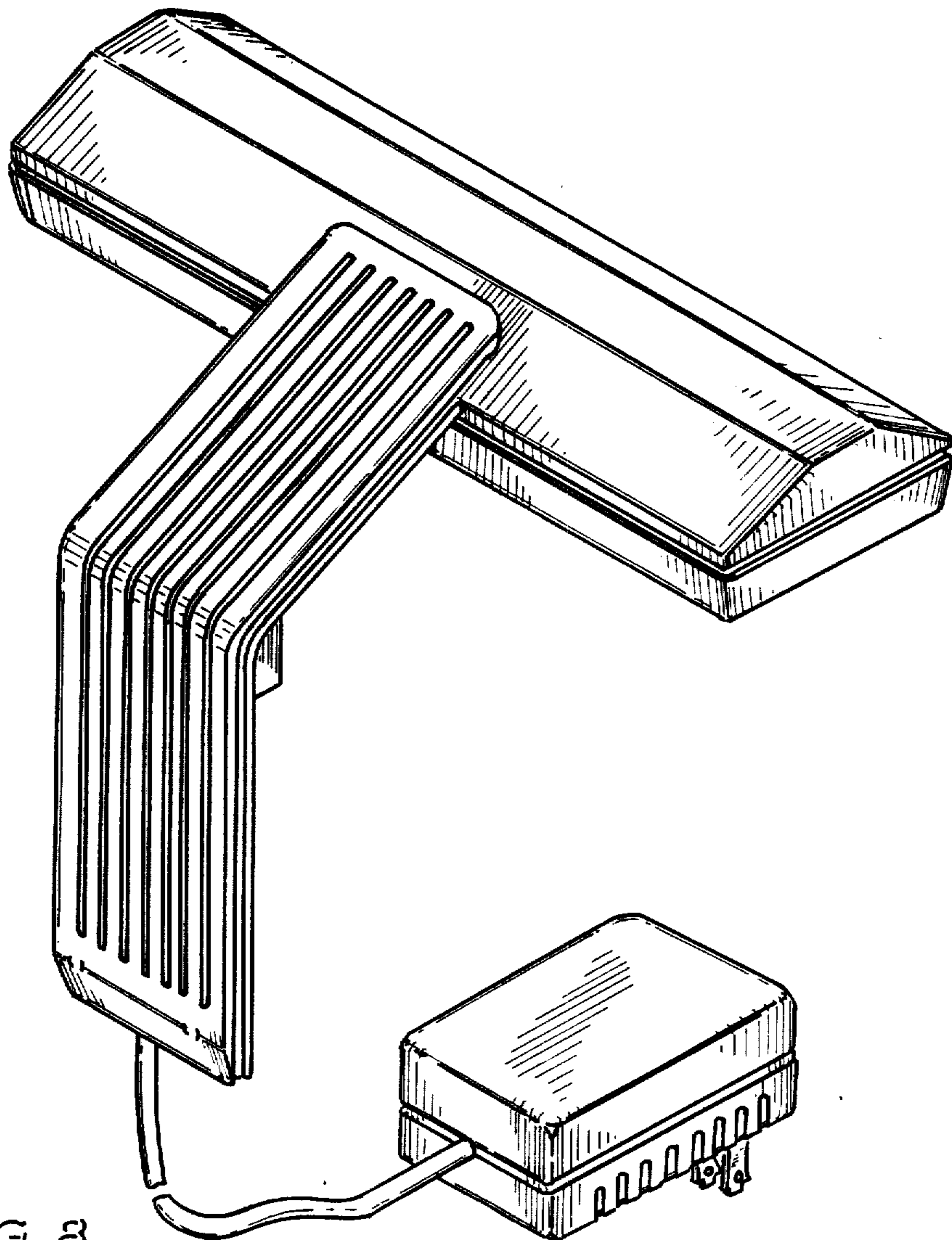


FIG. 8

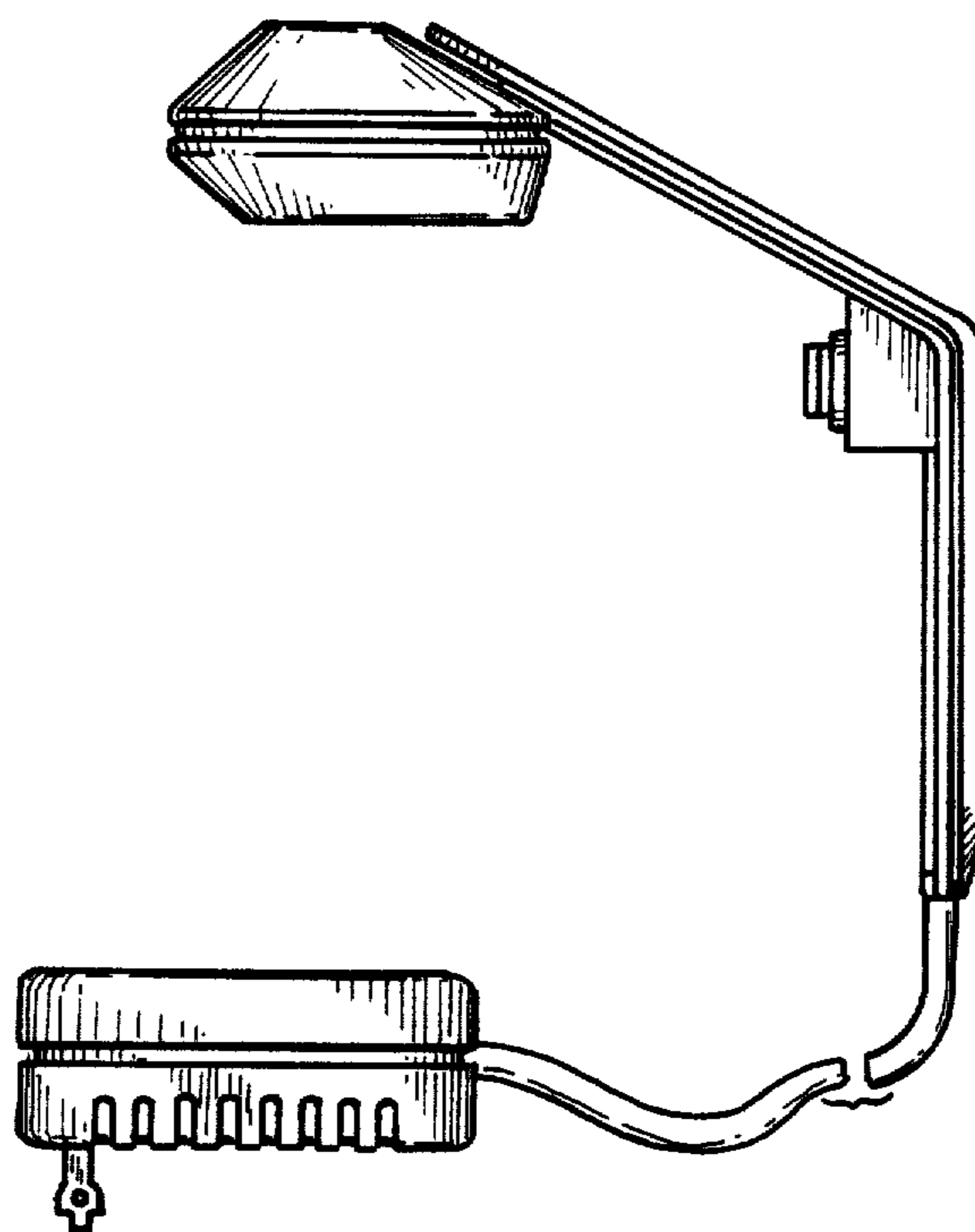


FIG. 9

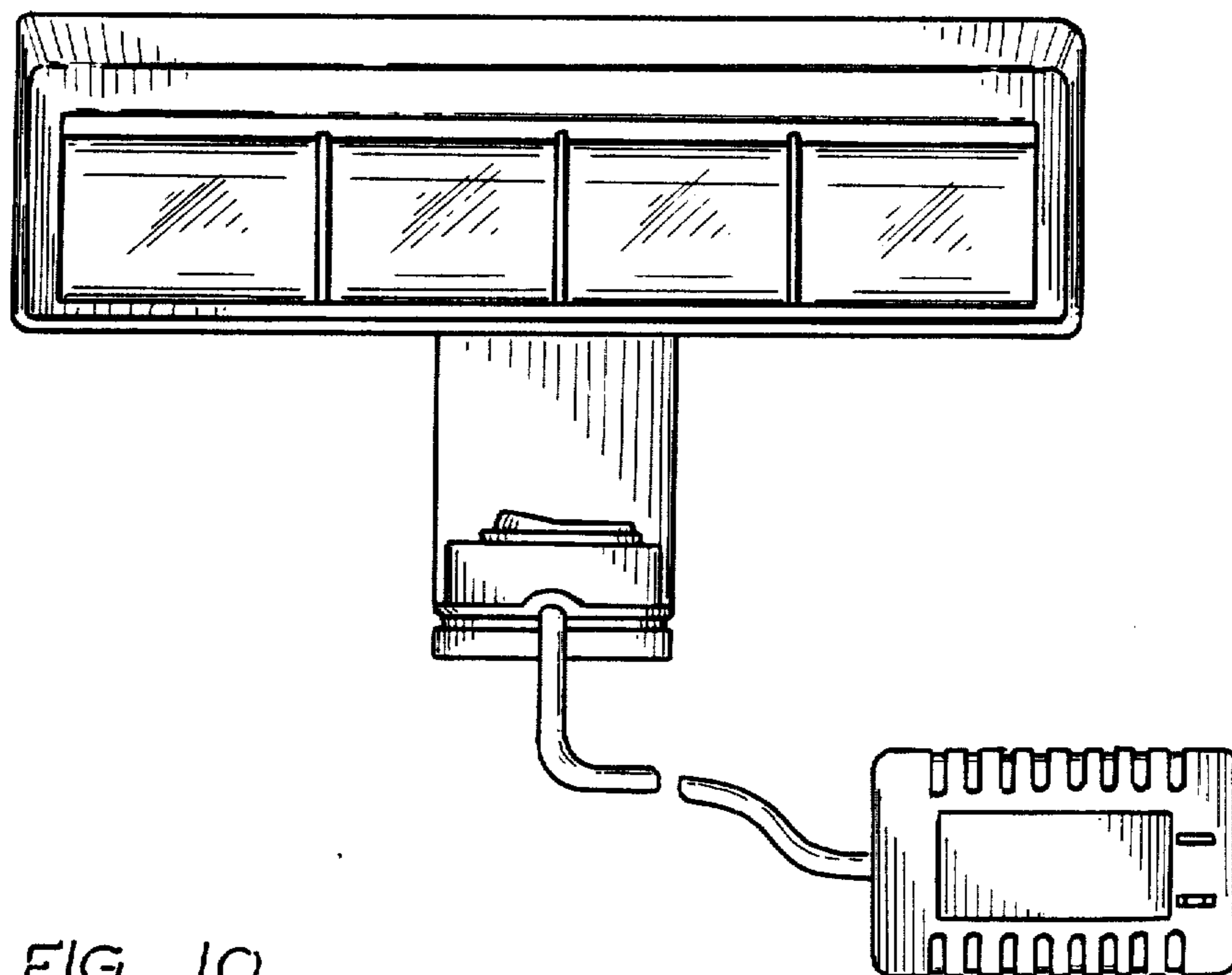


FIG. 10

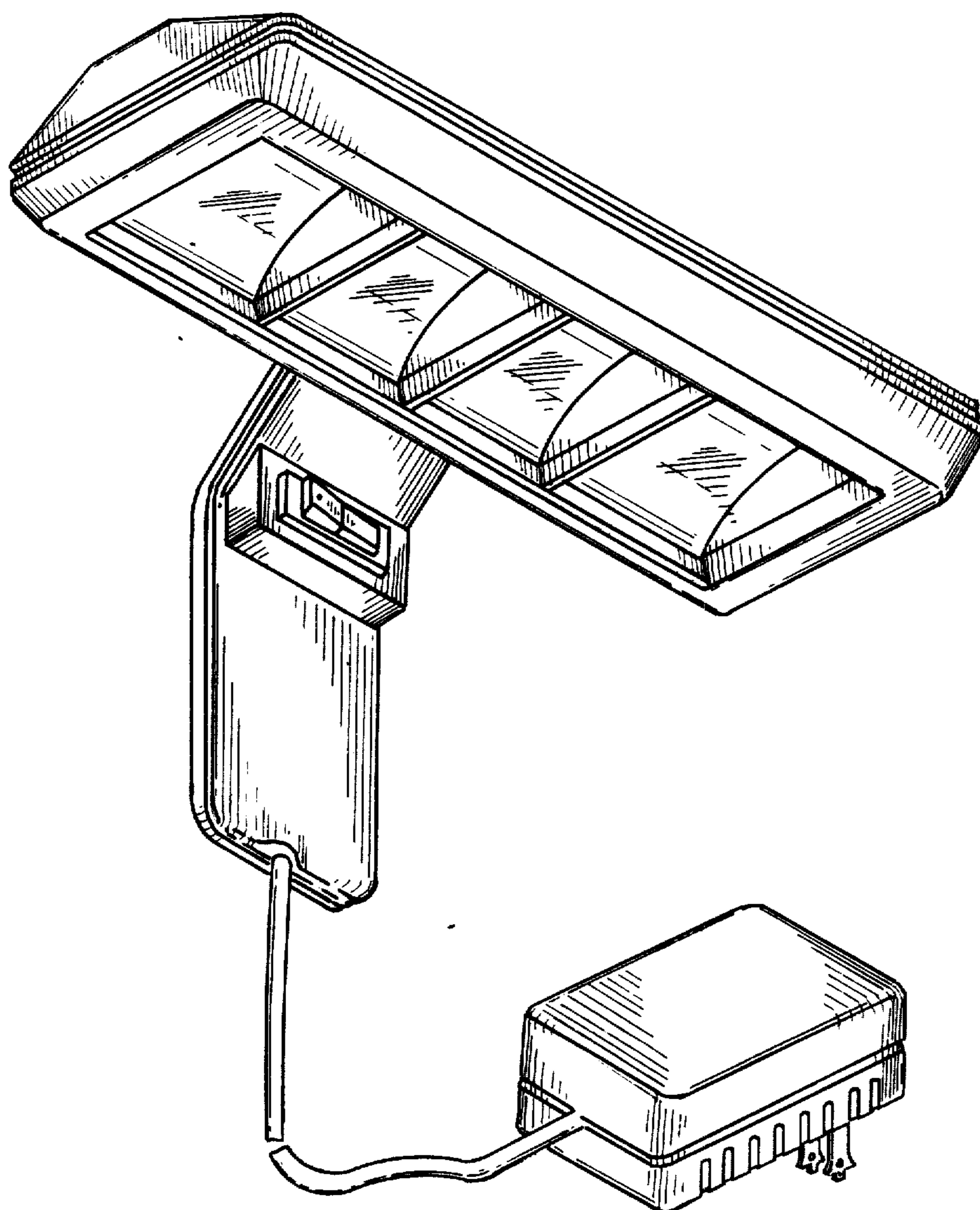


FIG. 11

UNITED STATES PATENT AND TRADEMARK OFFICE  
**CERTIFICATE OF CORRECTION**

PATENT NO. : Des. 306,909  
DATED : March 27, 1990  
INVENTOR(S) : Kelley et al.

It is certified that error appears in the above-identified patent and that said Letters Patent is hereby corrected as shown below:

On the title page, under DESCRIPTION:

FIG. 9, after "thereof," insert --with the left-side elevational view being a mirror image thereof;--.

**Signed and Sealed this  
Third Day of September, 1991**

*Attest:*

*Attesting Officer*

HARRY F. MANBECK, JR.

*Commissioner of Patents and Trademarks*