

[54] **BOOTH FOR TAPING AUDIOVISUAL IMAGES**

[76] **Inventor: Dennis G. Fontaine, 15 Crossroads, Suite 211, Sarasota, Fla. 33579**

[**] **Term: 14 Years**

[21] **Appl. No.: 65,708**

[22] **Filed: Jun. 24, 1987**

[52] **U.S. Cl. D25/16; D25/1**

[58] **Field of Search D25/1, 16, 19, 18; D21/115, 240, 250; 358/254; 52/143, 264**

[56] **References Cited**

U.S. PATENT DOCUMENTS

D. 245,706 9/1977 McAllister D25/1 X

D. 250,850 1/1979 Osborne, Jr. D21/240
D. 287,032 12/1986 Funai D21/240 X
4,173,024 10/1979 Miller D25/16 X

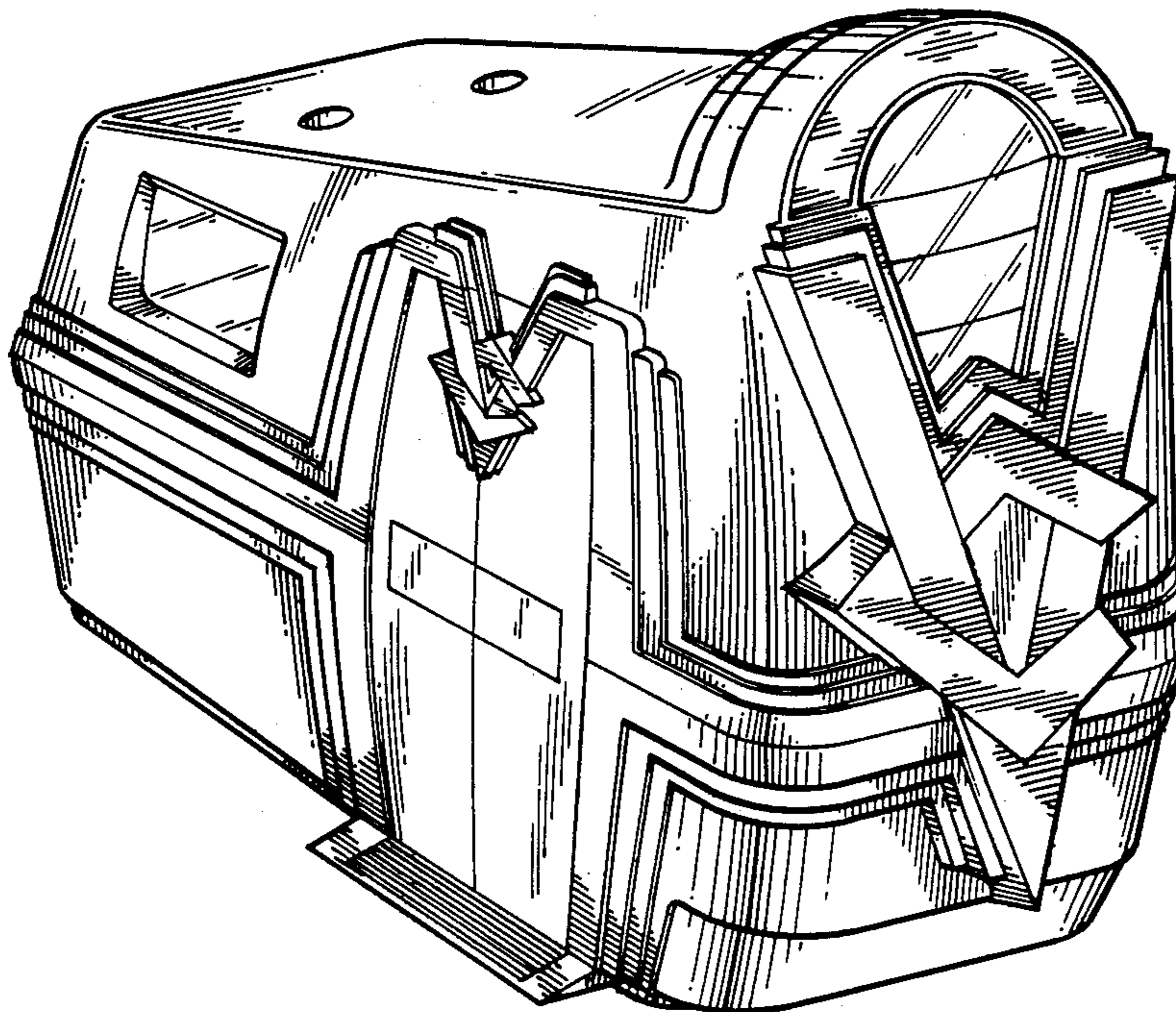
*Primary Examiner—A. Hugo Word
Attorney, Agent, or Firm—Richard C. Litman*

[57] **CLAIM**

The ornamental design for a booth for taping audiovisual images, as shown.

DESCRIPTION

FIG. 1 is a perspective view of the booth for taping audiovisual images showing my design.
FIG. 2 is a front elevational view of the design.
FIG. 3 is a right side elevational view of the design.
FIG. 4 is a rear elevational view of the design.
FIG. 5 is a left side elevational view of the design.
FIG. 6 is a top plan view of the design.



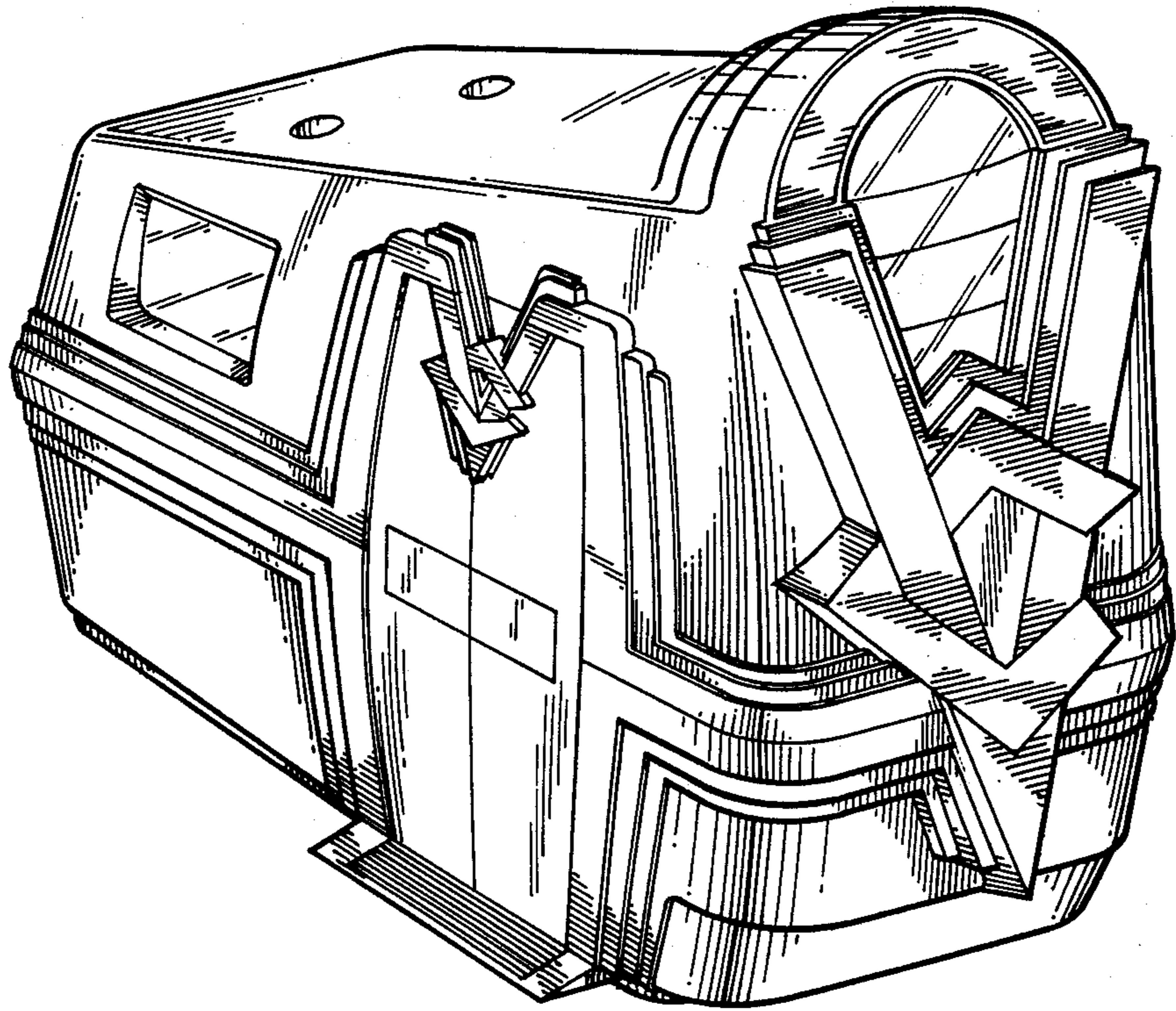


FIG. 1

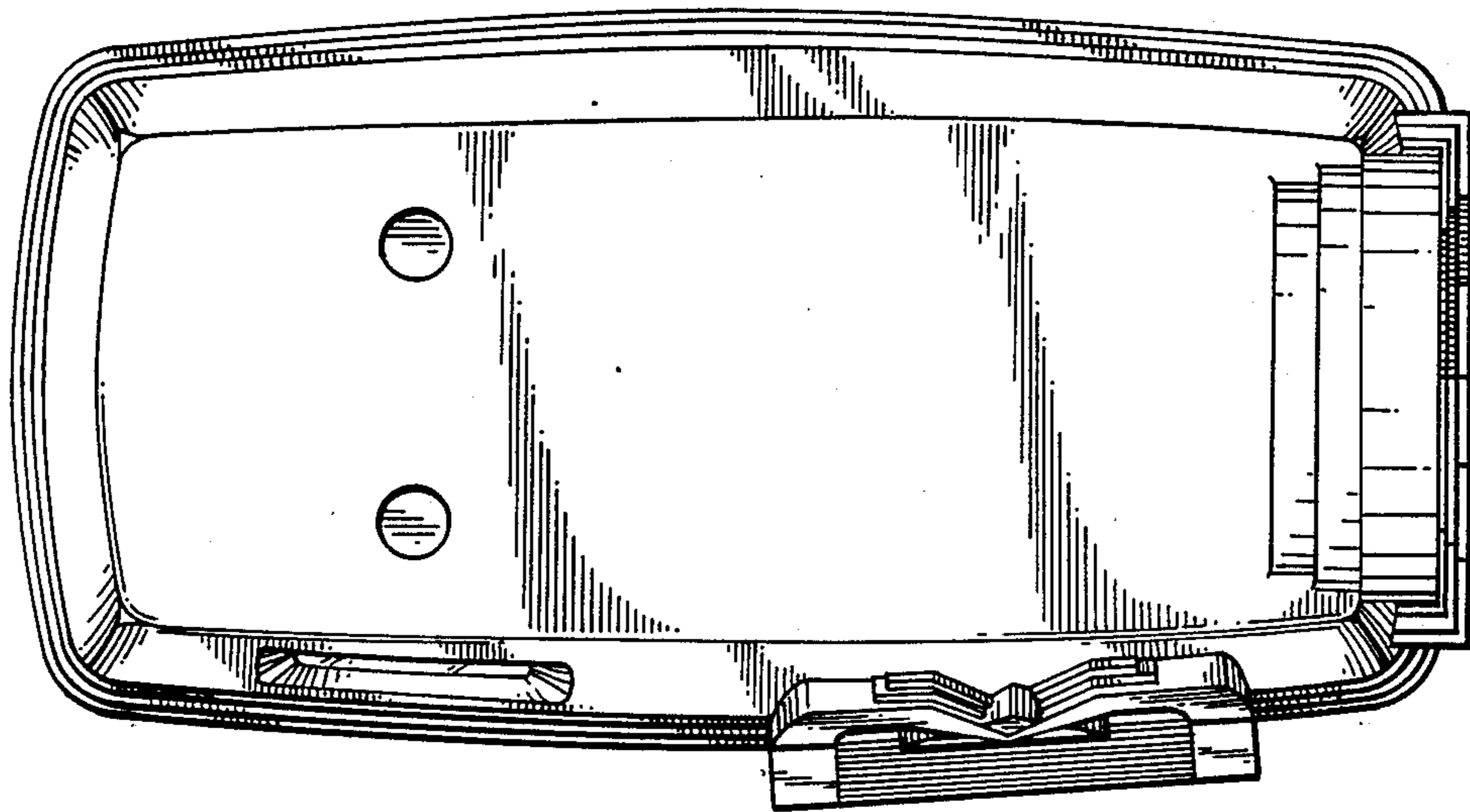


FIG. 6

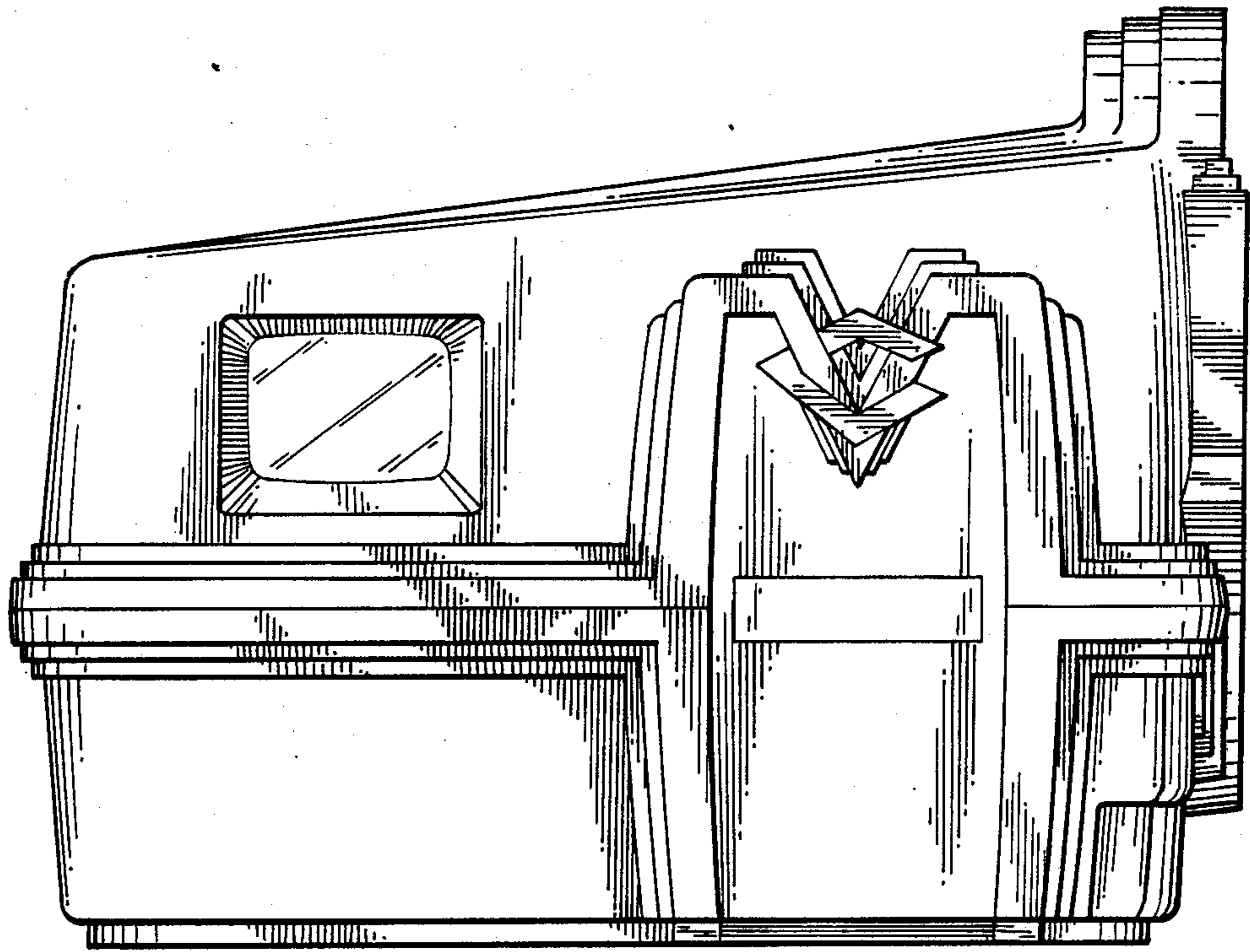


FIG. 2

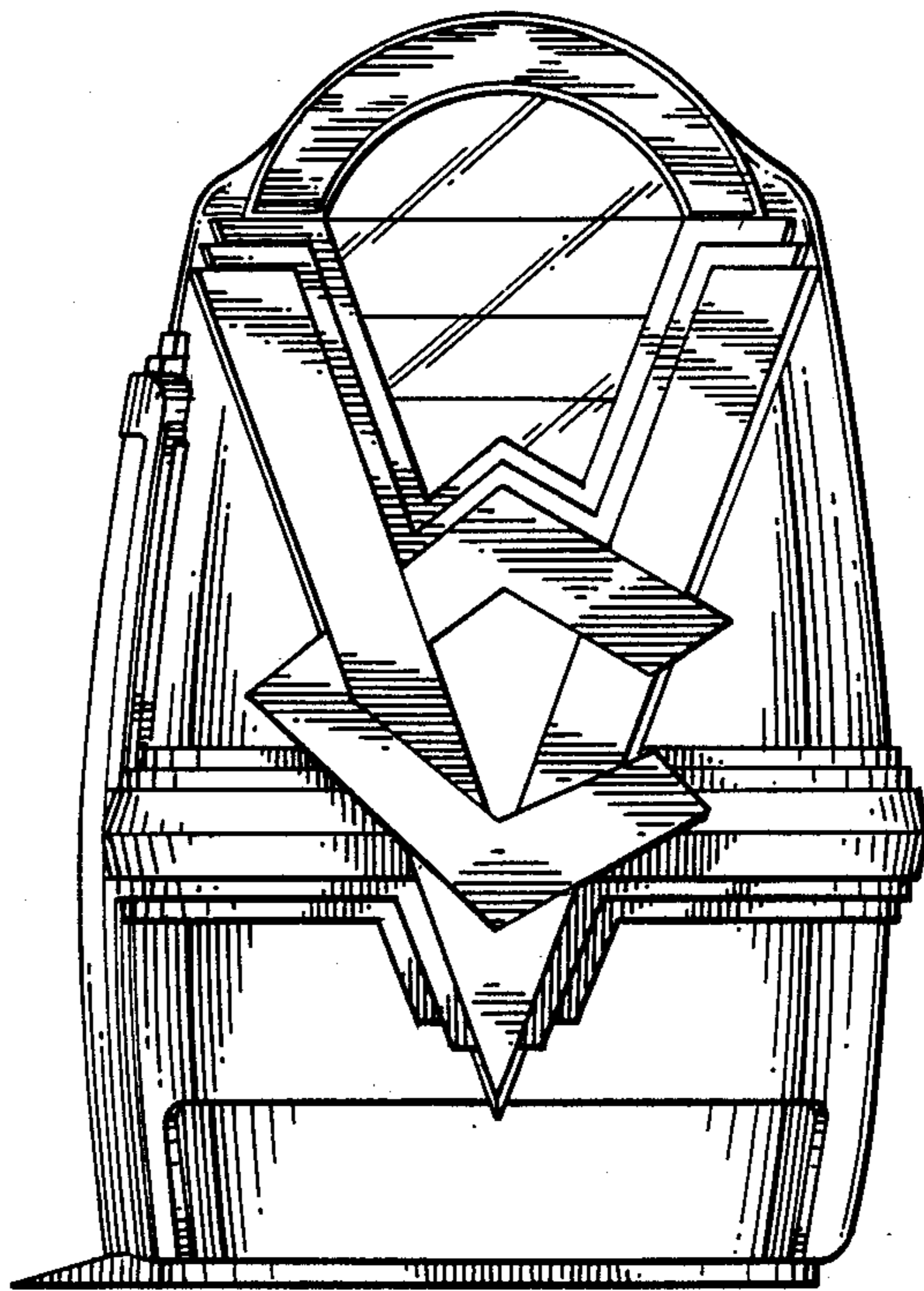


FIG. 3

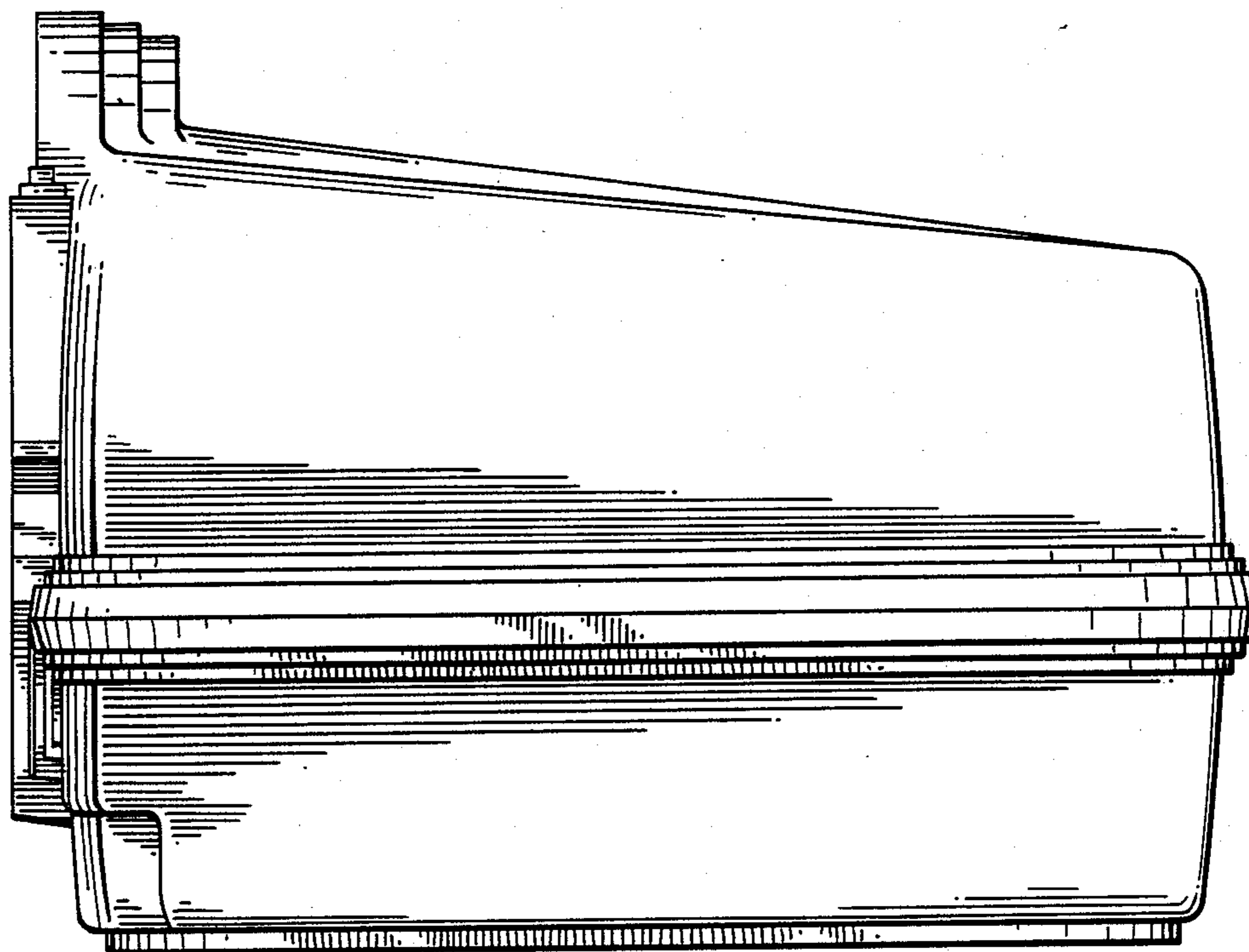


FIG. 4

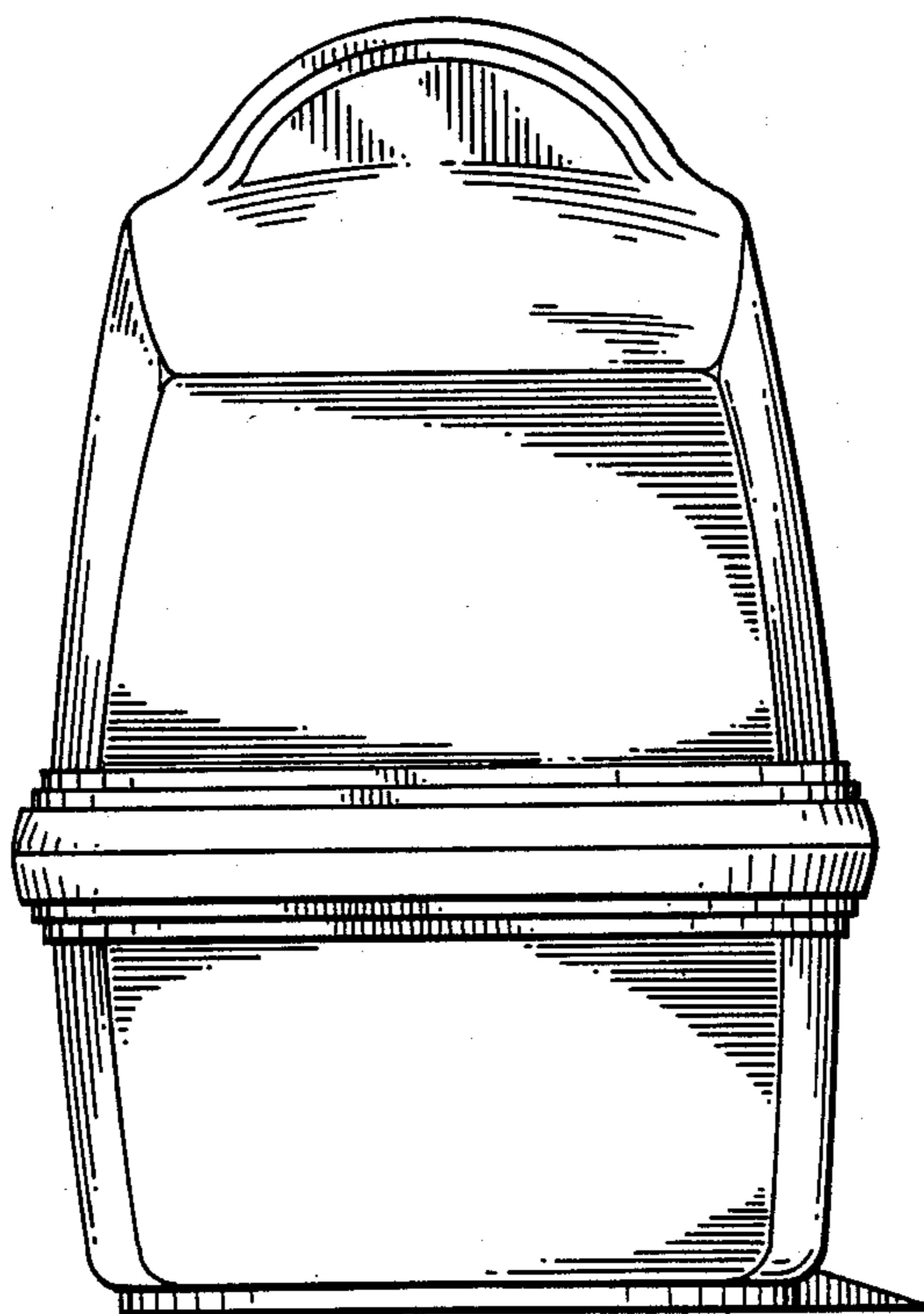


FIG. 5