

[54] CAROUSEL CONTAINER FOR DENTAL BRACKETS OR THE LIKE

[75] Inventors: Aline Christiansen, Carlsbad; Donald Wendell; Lonnie Pogue, both of San Diego, all of Calif.

[73] Assignee: Johnson & Johnson Consumer Products, Inc., New Brunswick, N.J.

[\*\*] Term: 14 Years

[21] Appl. No.: 74,433

[22] Filed: Jul. 16, 1987

[52] U.S. Cl. .... D24/10

[58] Field of Search ..... D24/10, 16; 206/45.11, 206/45.13, 45.14, 45.15, 63.5, 368, 369, 533; D9/341; D3/74

[56] References Cited

U.S. PATENT DOCUMENTS

|            |         |              |       |           |   |
|------------|---------|--------------|-------|-----------|---|
| D. 270,980 | 10/1983 | Haigh        | ..... | D3/74     | X |
| 2,131,807  | 10/1938 | Jerum        | ..... | 206/369   | X |
| 3,262,558  | 7/1966  | Abend et al. | ..... | 206/45.15 |   |
| 3,570,707  | 3/1971  | Finkel       | ..... | 206/533   | X |

4,666,037 5/1987 Weissman ..... 206/63.5

Primary Examiner—Susan J. Lucas

Assistant Examiner—M. H. Tung

[57] CLAIM

The ornamental design for a carousel container for dental brackets or the like, as shown and described.

DESCRIPTION

FIG. 1 is a top, front perspective view of a carousel container for dental brackets or the like showing our new design;

FIG. 2 is a greatly enlarged perspective view of the left end thereof, the remainder of the container broken away for convenience of illustration;

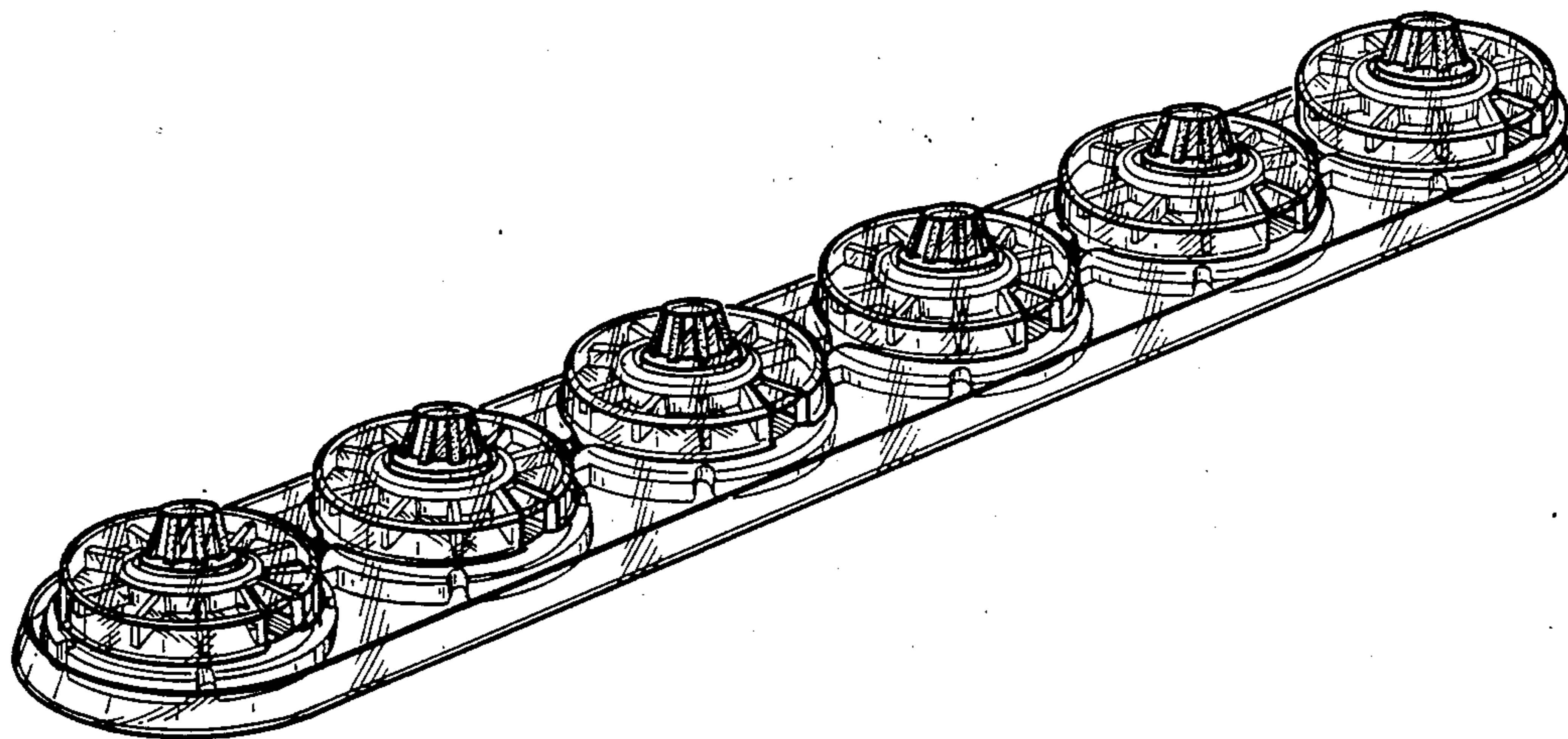
FIG. 3 is a top plan view thereof, on an enlarged scale;

FIG. 4 is a front elevational view thereof, on an enlarged scale;

FIG. 5 is a right side elevational view which is a mirror image of the left side elevational view thereof, on an enlarged scale;

FIG. 6 is a rear elevational view thereof, on an enlarged scale; and

FIG. 7 is a bottom plan view thereof, on an enlarged scale.



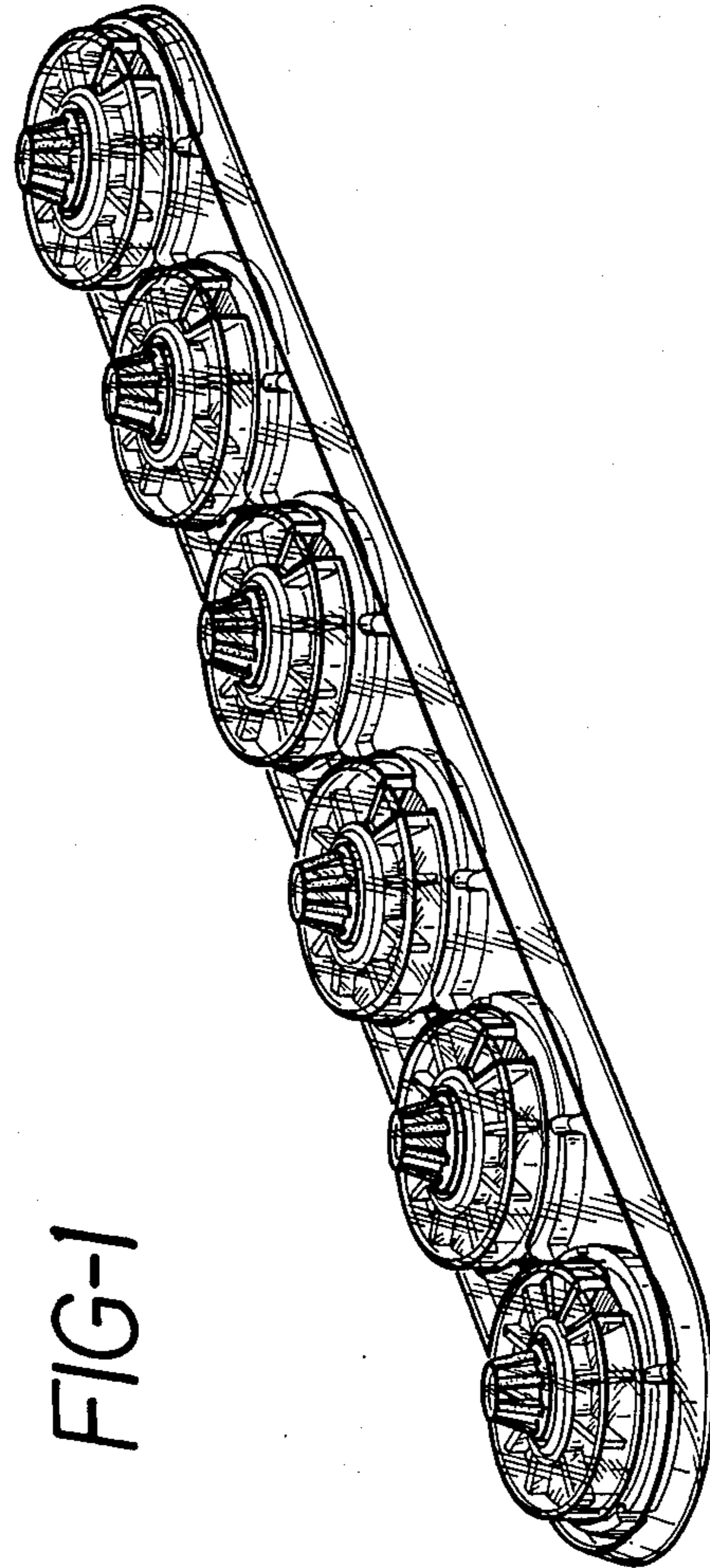


FIG-1

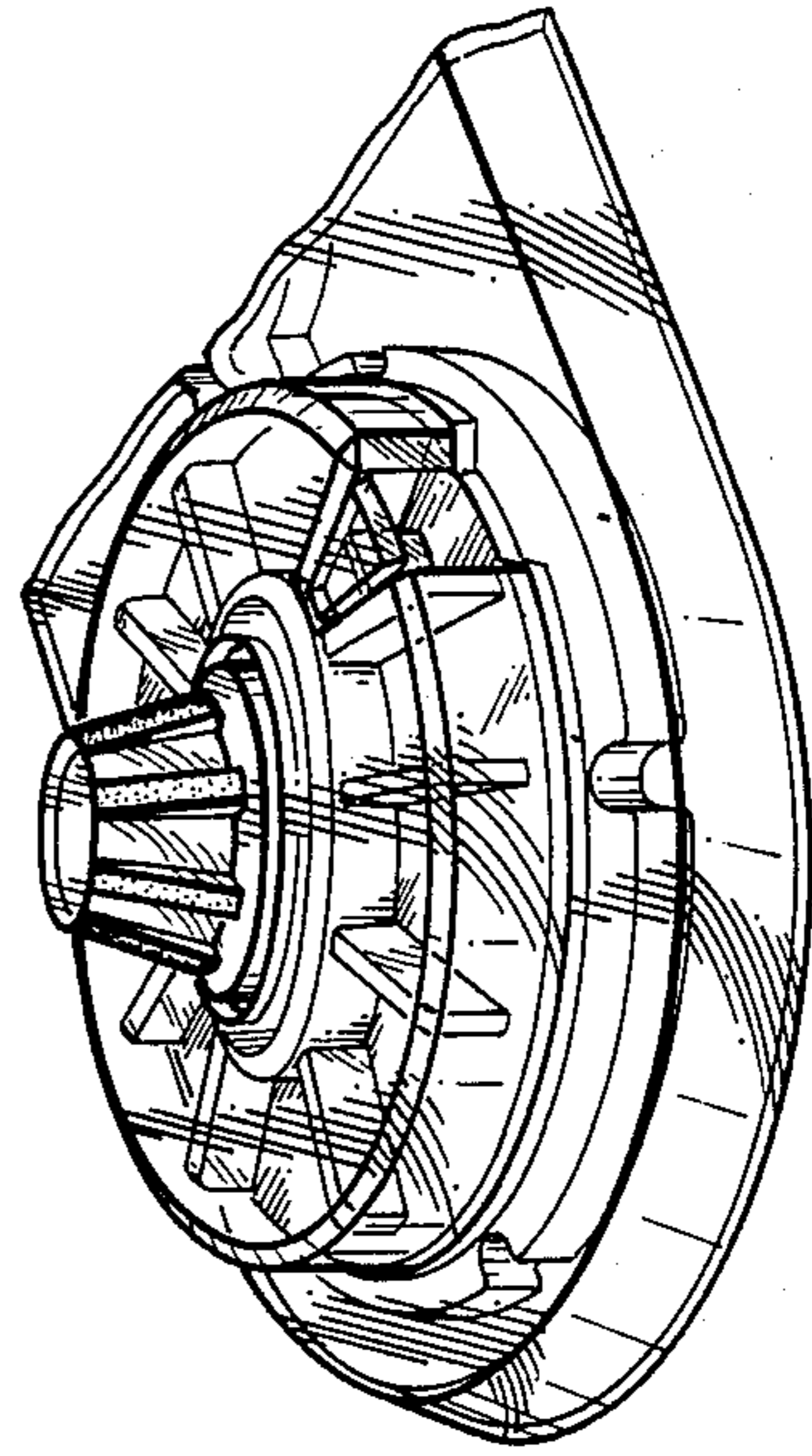


FIG-2

FIG-3

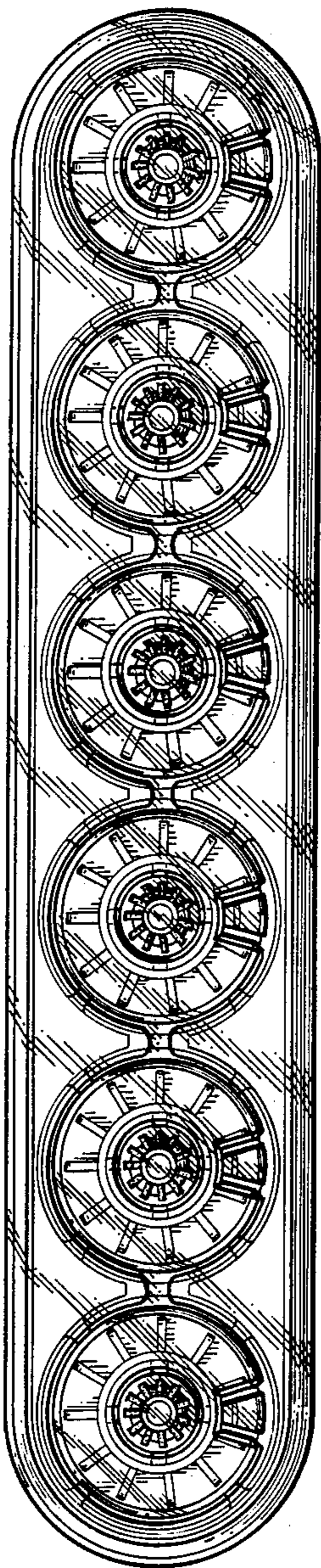


FIG-4



FIG-5

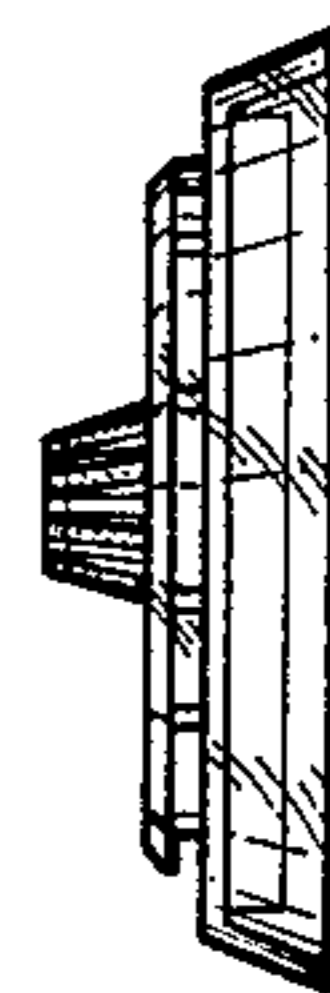


FIG-6

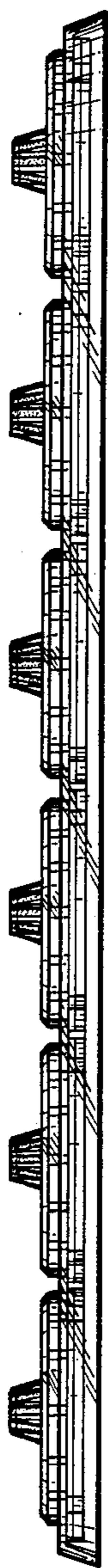


FIG-7

