

[54] TOILET SEAT AND COVER

2,047,480 7/1936 MacDonald 4/234

[76] Inventor: Harry Miller, 5216 - 201A Street,
Langley, British Columbia, V3A
1S4, Canada

FOREIGN PATENT DOCUMENTS

110261 3/1940 Australia 4/233
1218765 1/1971 United Kingdom 4/234

[**] Term: 14 Years

Primary Examiner—James R. Largen
Assistant Examiner—Cathy Anne McCormac
Attorney, Agent, or Firm—Philip Furgang

[21] Appl. No.: 24,553

[22] Filed: Mar. 11, 1987

[57] CLAIM

The ornamental design for the toilet seat and cover, as shown and described.

[30] Foreign Application Priority Data

Sep. 11, 1986 [CA] Canada 11-09-86-8

[52] U.S. Cl. D23/296; 4/234

[58] Field of Search D23/296, 311; 4/233,
4/234, 235; 5/90, 463

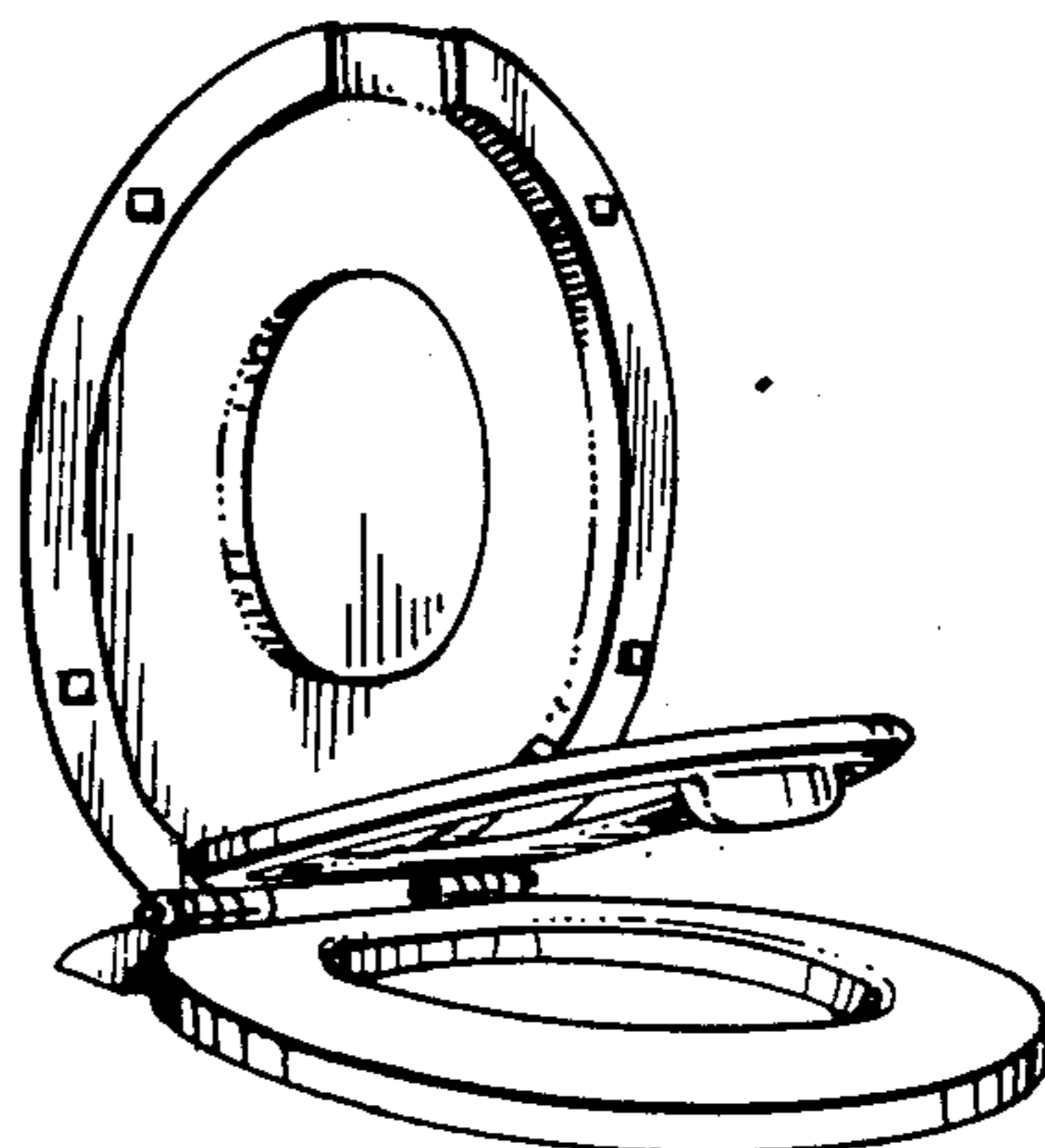
DESCRIPTION

FIG. 1 is a perspective view of a toilet seat and cover taken from the front and left side showing my new design;
FIG. 2 is a top plan view showing the cover in open position;
FIG. 3 is a front elevational view showing the small seat nestled inside the open cover;
FIG. 4 is a top plan view in closed position;
FIG. 5 is a front elevational view thereof;
FIG. 6 is a side elevational view thereof; and
FIG. 7 is a side elevational view of FIG. 3.

[56] References Cited

U.S. PATENT DOCUMENTS

D. 281,193 10/1985 Chapman D23/296
904,053 11/1908 Eastburn et al. 4/234
1,196,427 8/1916 Brandenburg 4/234
1,236,902 8/1917 Bowen et al. 4/233
1,616,020 2/1927 Wolf 4/234
1,636,649 7/1927 Richardson 4/234



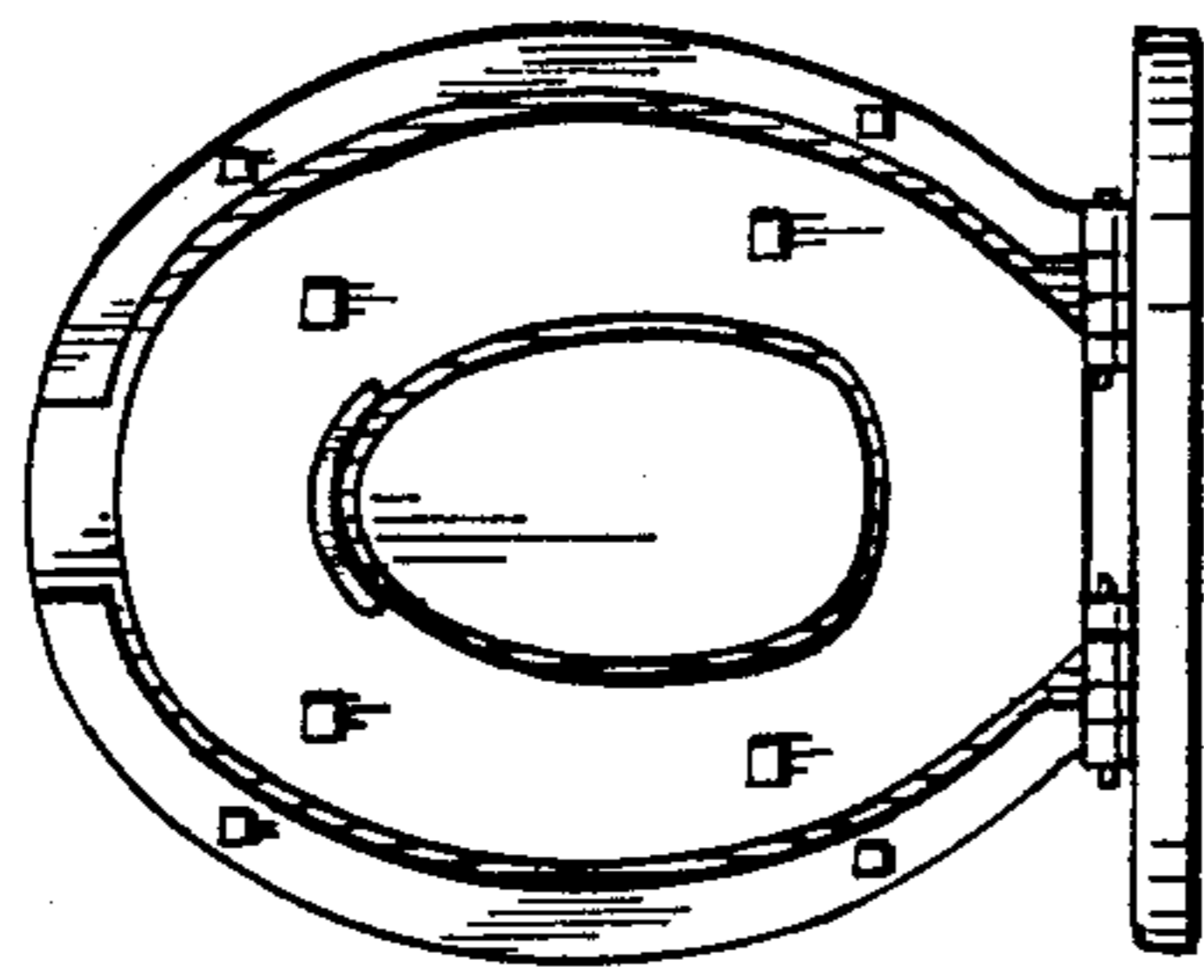


FIG. 3

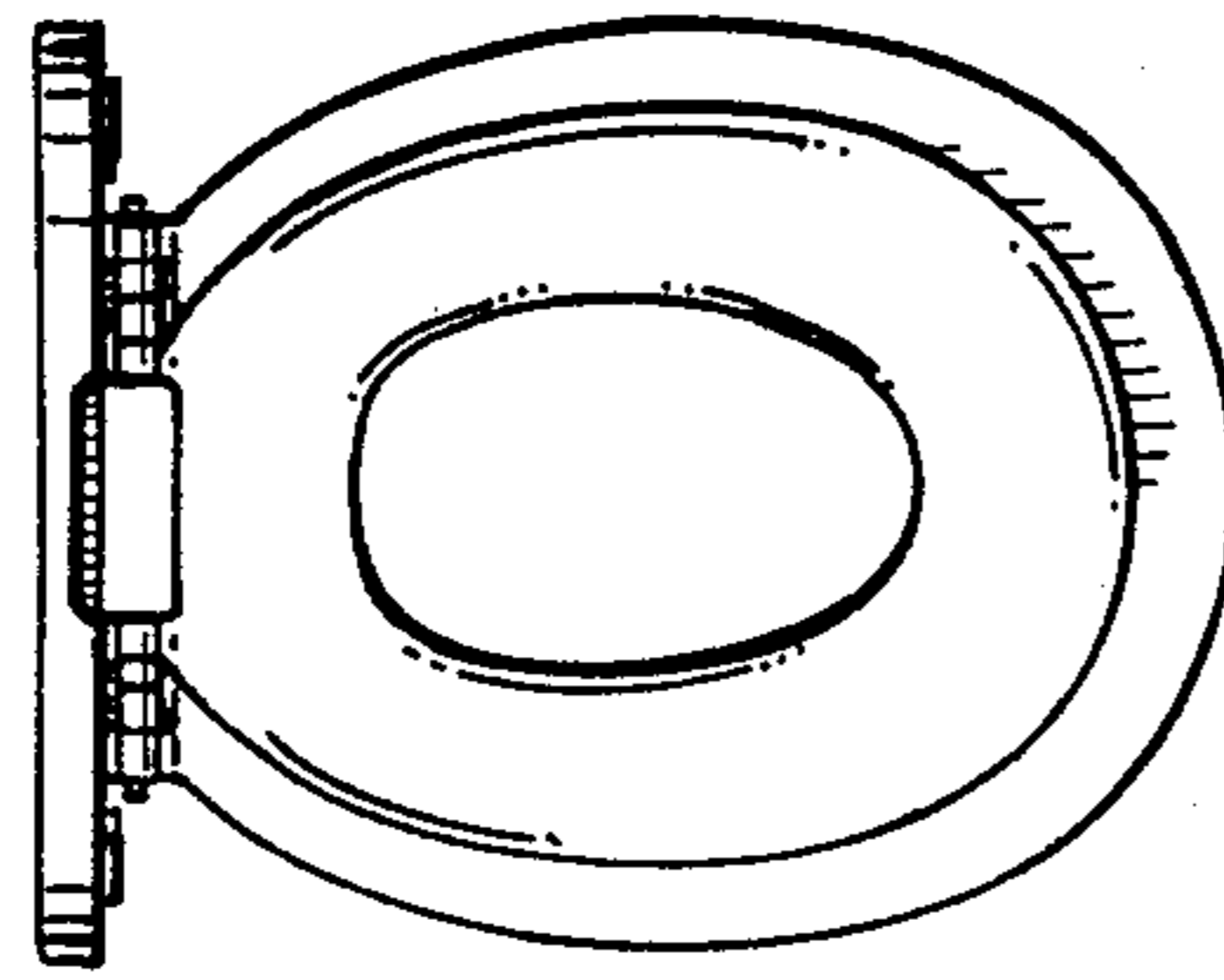


FIG. 2

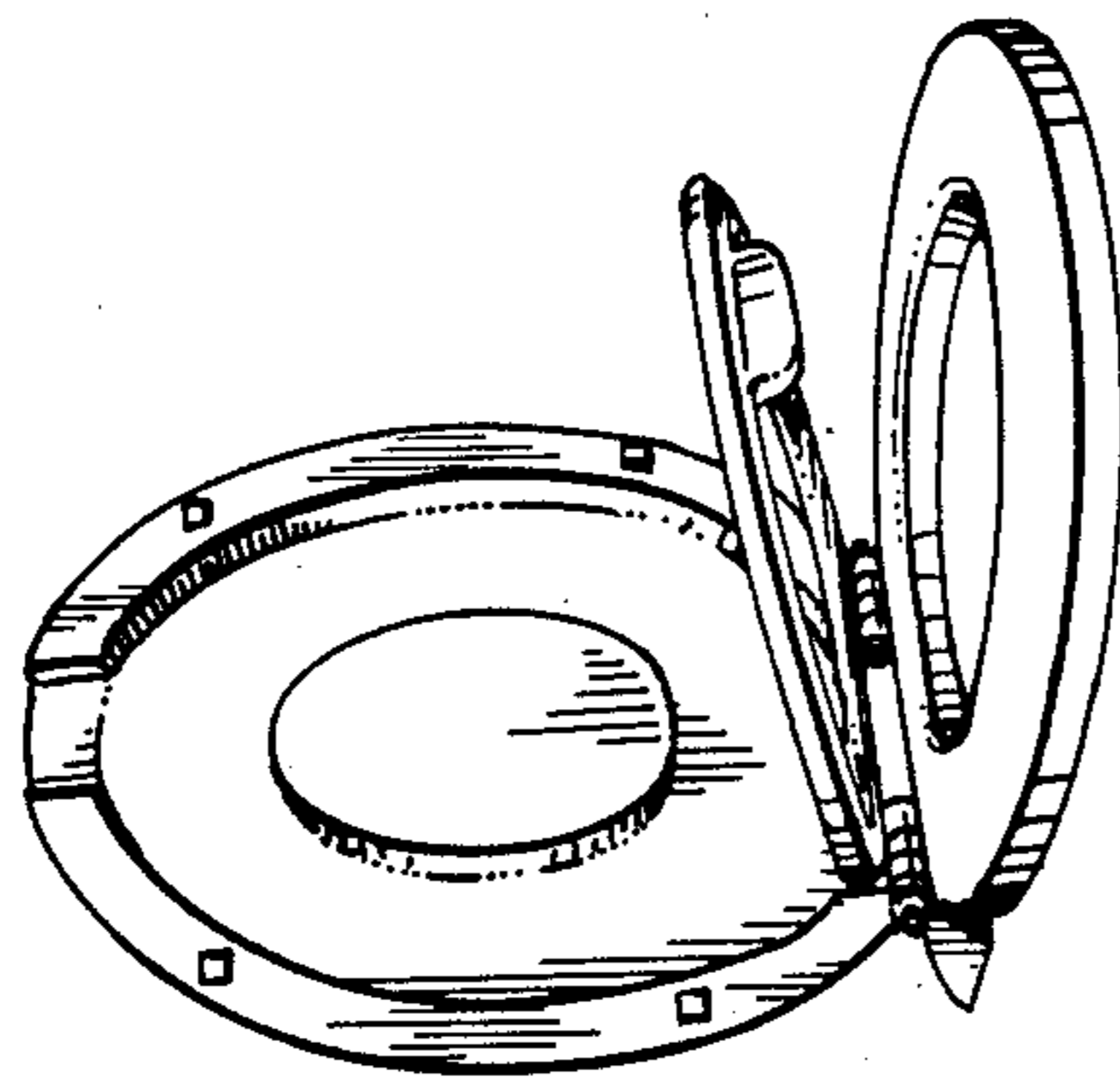


FIG. 1

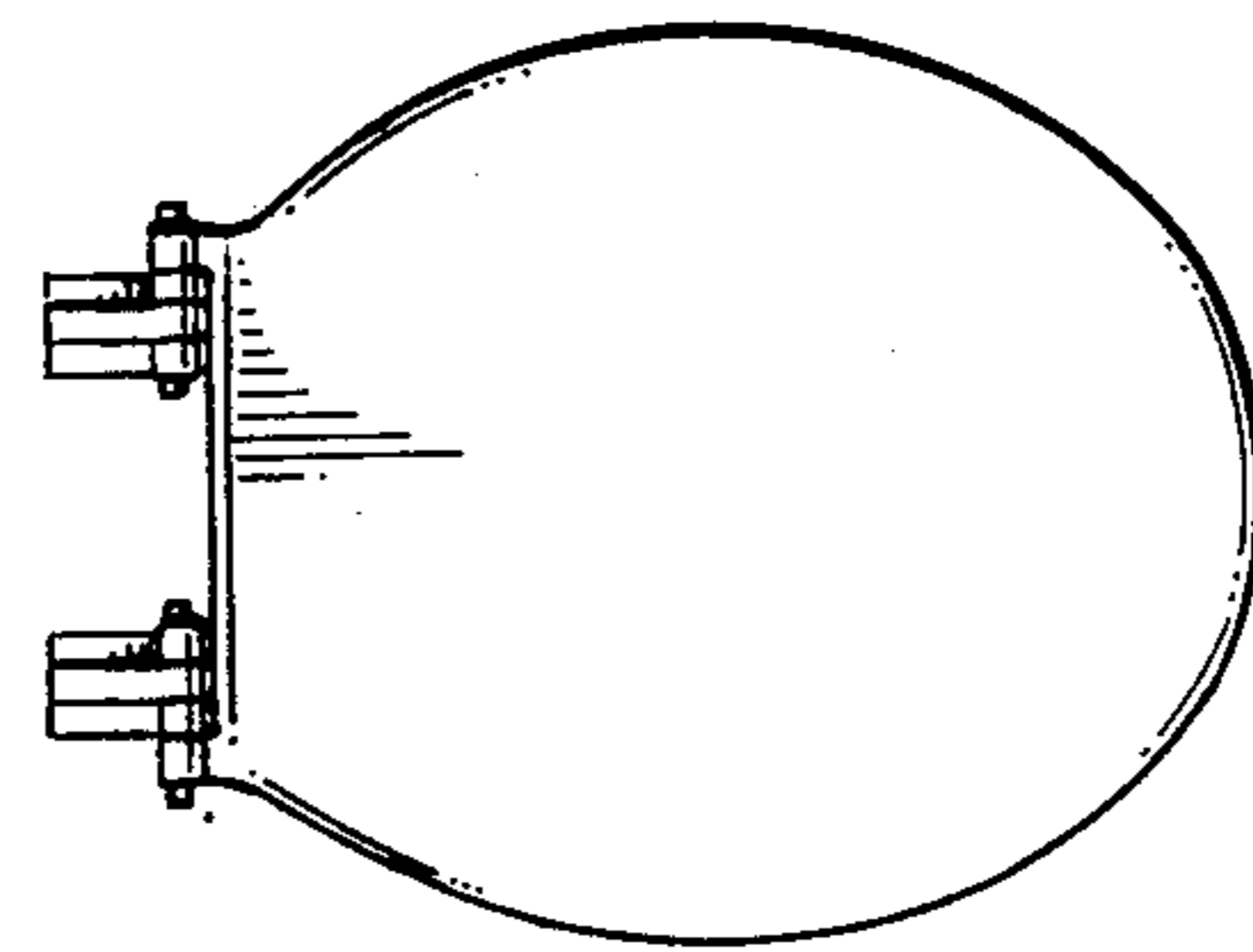


FIG. 4



FIG. 5



FIG. 6

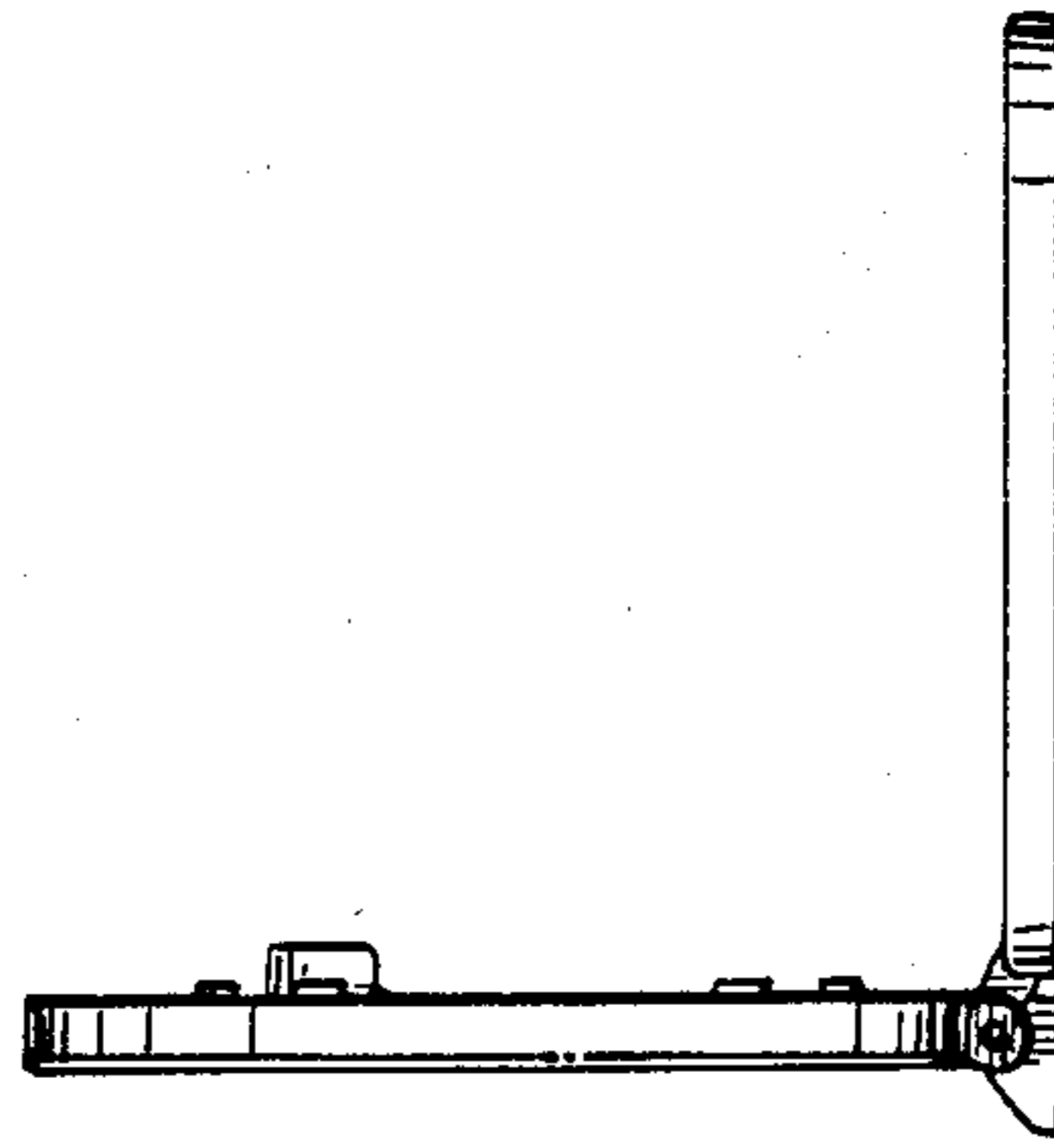


FIG. 7