

[54] TREADMILL EXERCISER

[75] Inventor: Scott R. Watterson, River Heights, Utah

[73] Assignee: Weslo, Inc., Logan, Utah

[**] Term: 14 Years

[21] Appl. No.: 947,495

[22] Filed: Dec. 29, 1986

[52] U.S. Cl. D21/192

[58] Field of Search D21/191-199; 272/69, DIG. 6; 117/29

[56] References Cited

U.S. PATENT DOCUMENTS

D. 270,555	9/1983	Ogden .	
D. 280,002	8/1985	Smith	D21/192
D. 283,239	4/1986	Smith .	
D. 289,667	5/1987	Danchulis	D21/192
D. 289,668	5/1987	Gremonprez	D21/192
3,650,529	3/1972	Salm et al.	272/69
3,731,917	5/1973	Townsend	272/69
4,502,679	3/1985	De Lorenzo .	
4,643,418	2/1987	Bart .	
4,792,134	12/1988	Chen	272/69

OTHER PUBLICATIONS

Official Gazette, dated May 5, 1987, p. 623, Patent 289,667.

Official Gazette, dated May 5, 1987, p. 623, Patent 289,668.

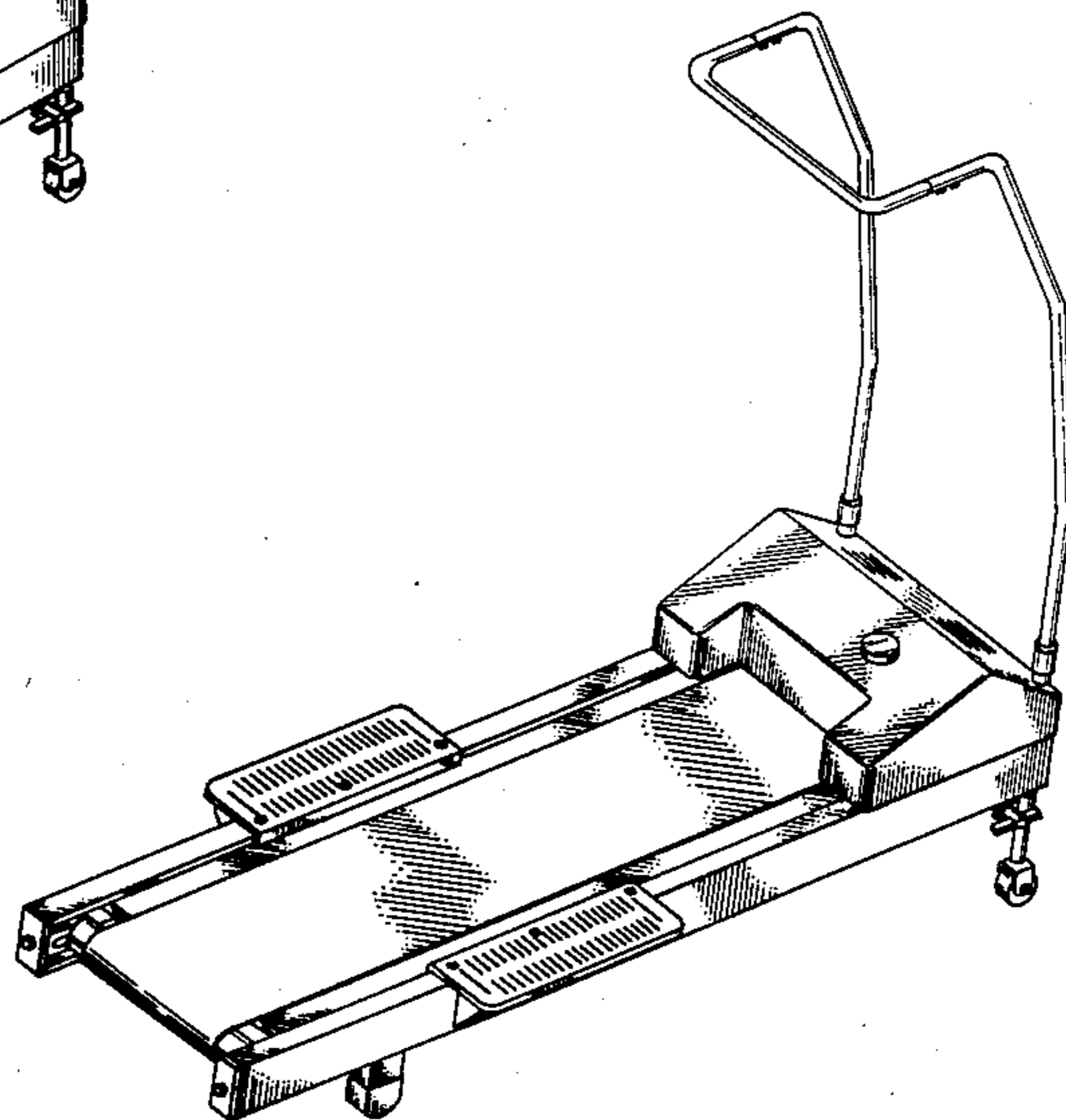
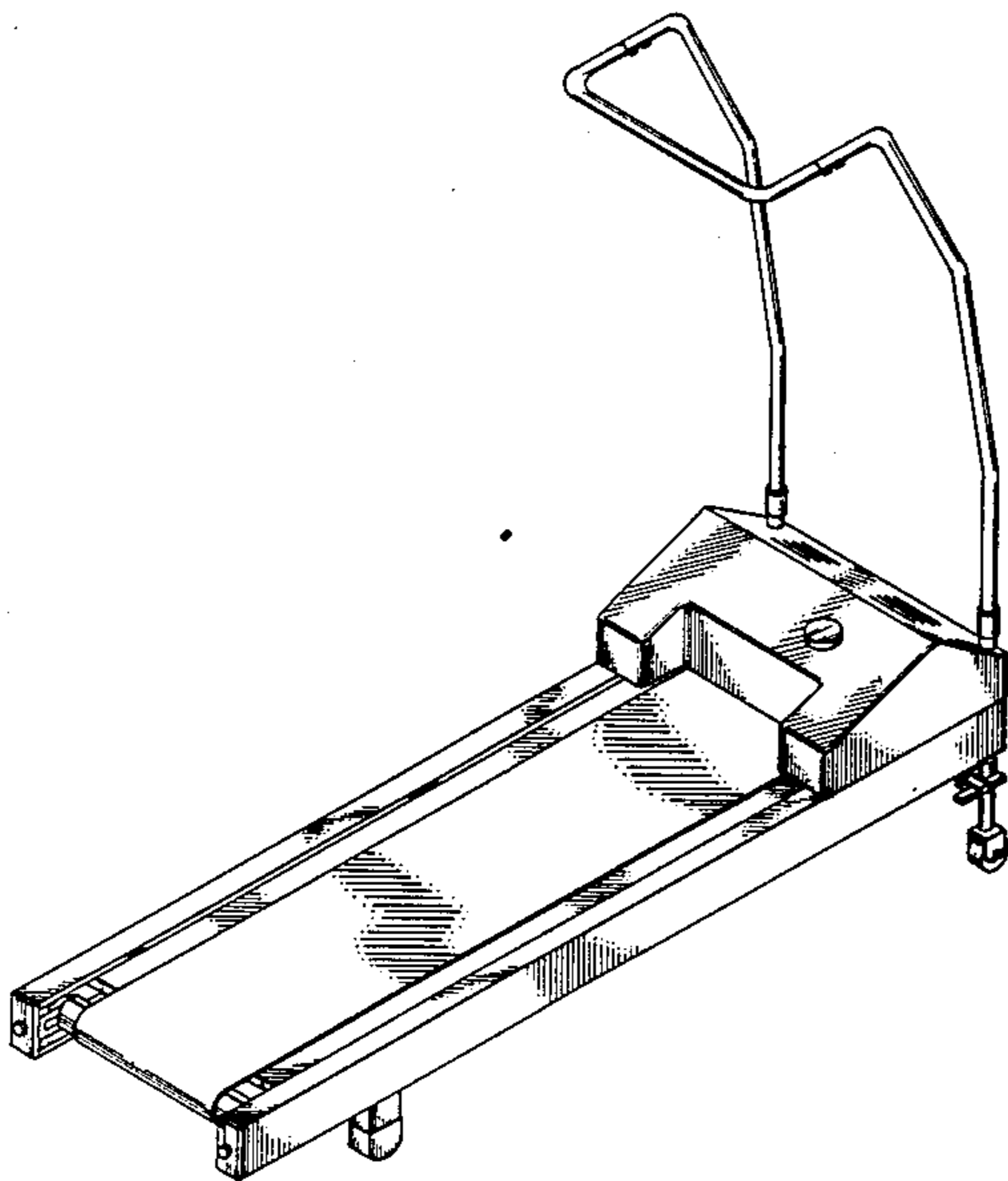
Primary Examiner—Charles A. Rademaker
Attorney, Agent, or Firm—Trask, Britt & Rossa

[57] CLAIM

The ornamental design for a treadmill exerciser, as shown and described.

DESCRIPTION

FIG. 1 is a perspective view of a treadmill exerciser showing my design;
 FIG. 2 is a top plan view;
 FIG. 3 is a bottom plan view;
 FIG. 4 is a right side elevational view, the left side elevational view being a mirror image thereof;
 FIG. 5 is a front elevational view;
 FIG. 6 is a rear elevational view;
 FIG. 7 is a perspective view of a modified embodiment of the design shown in FIGS. 1 through 6;
 FIG. 8 is a top plan view thereof;
 FIG. 9 is a bottom plan view thereof;
 FIG. 10 is a right side elevational view thereof, the left side elevational being a mirror image thereof;
 FIG. 11 is a rear elevational view thereof;
 FIG. 12 is a front elevational view thereof.



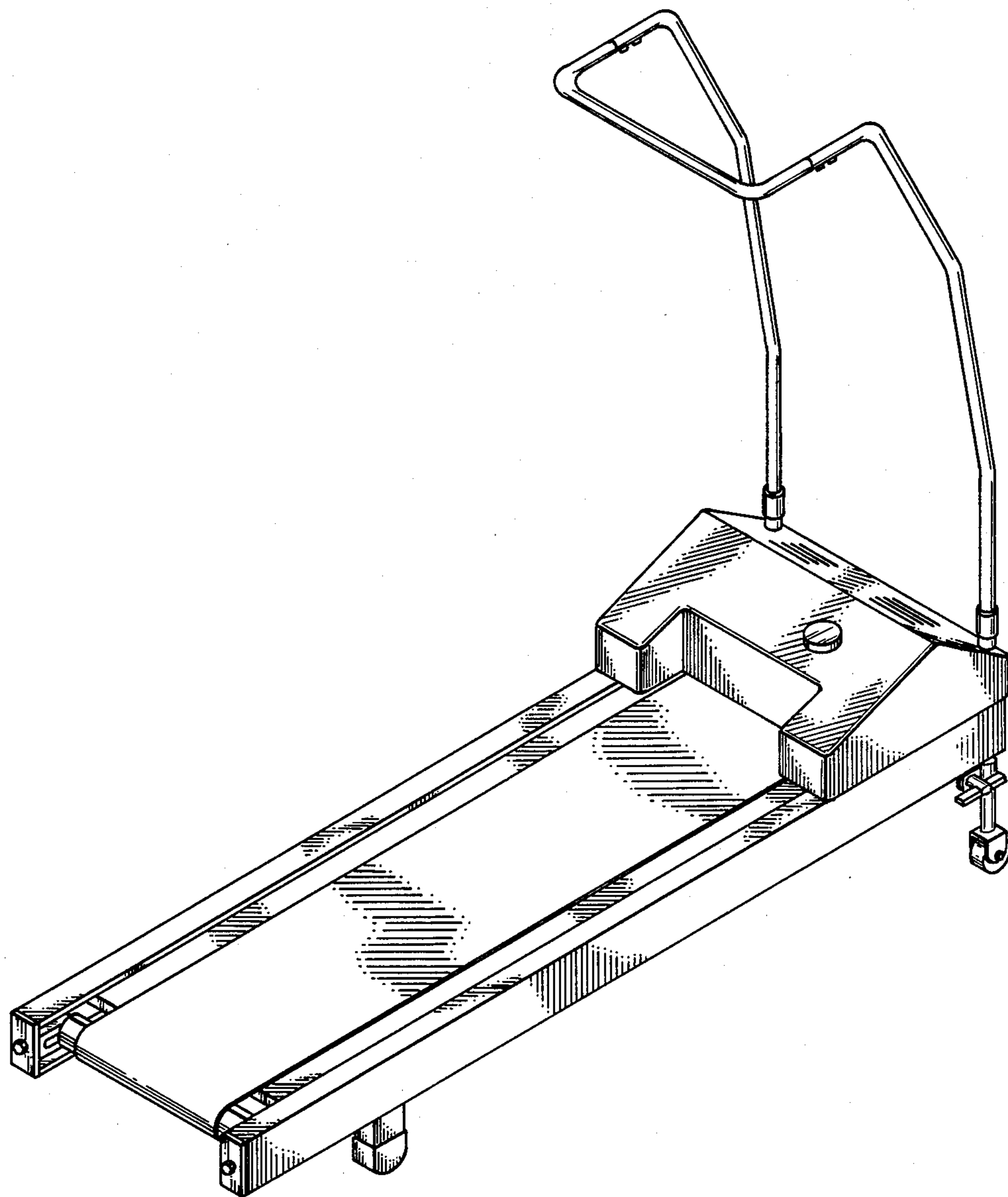


Fig. 1

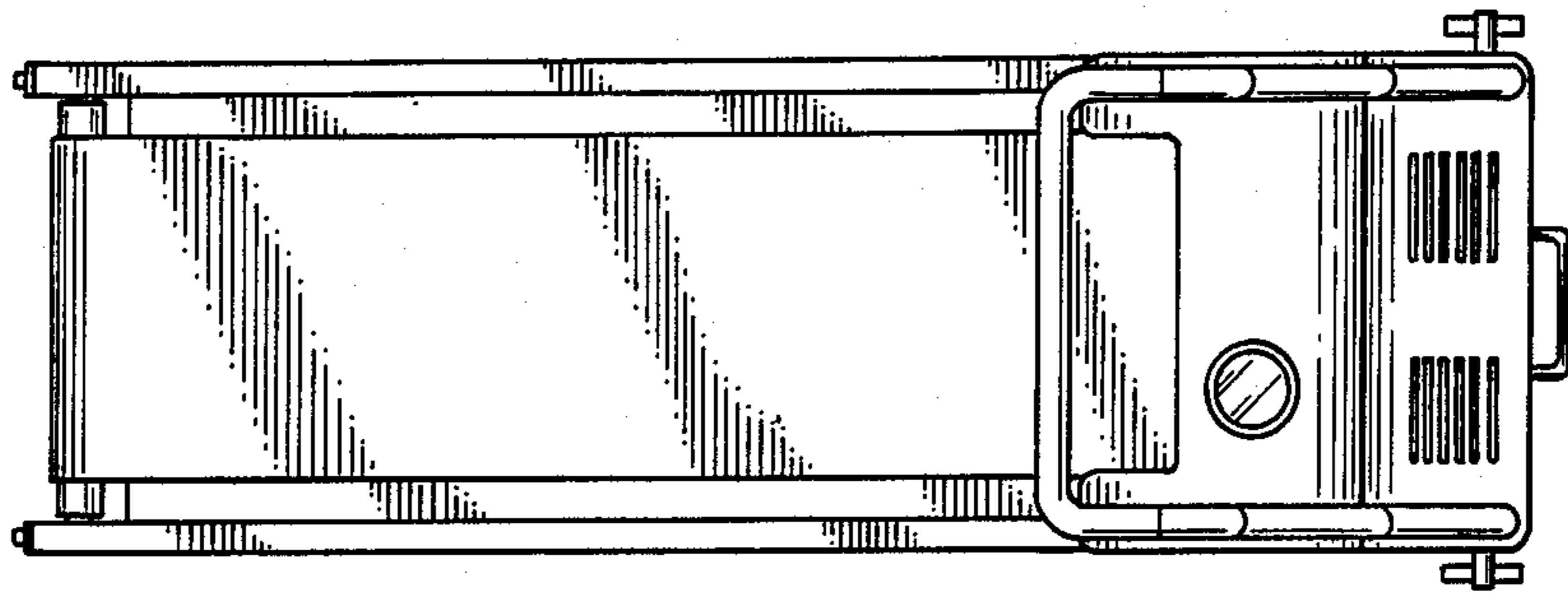


Fig. 2

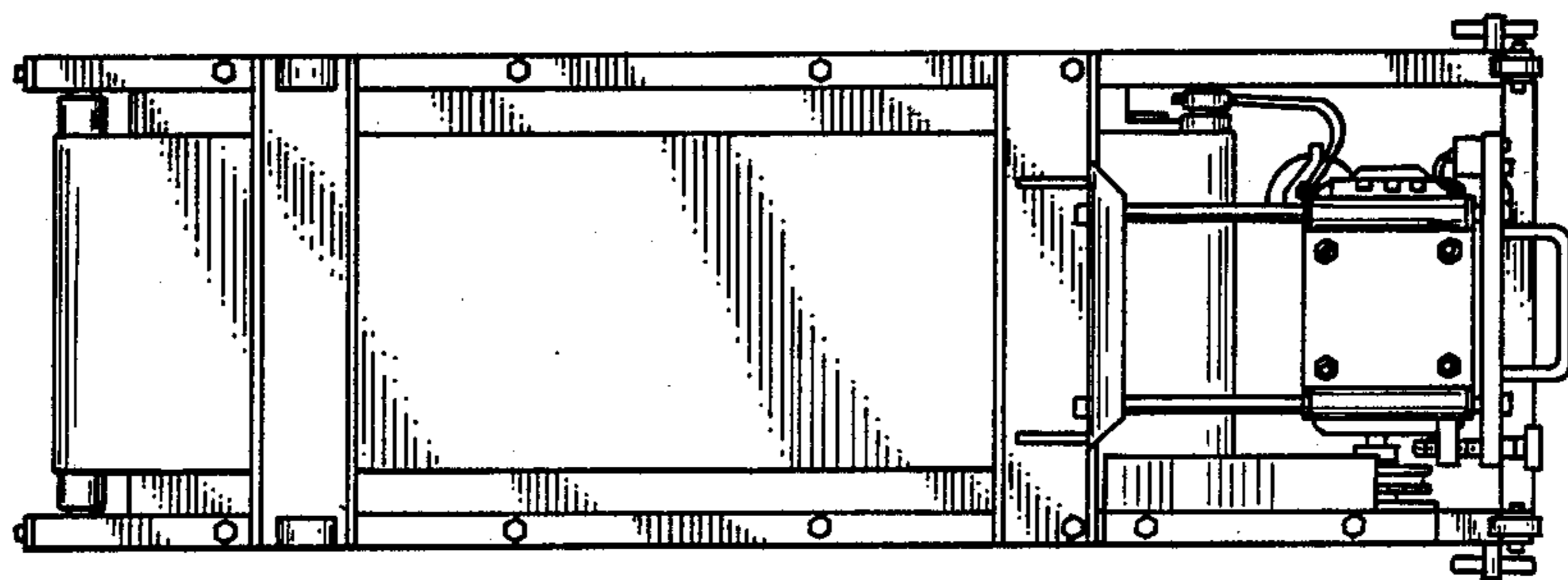


Fig. 3

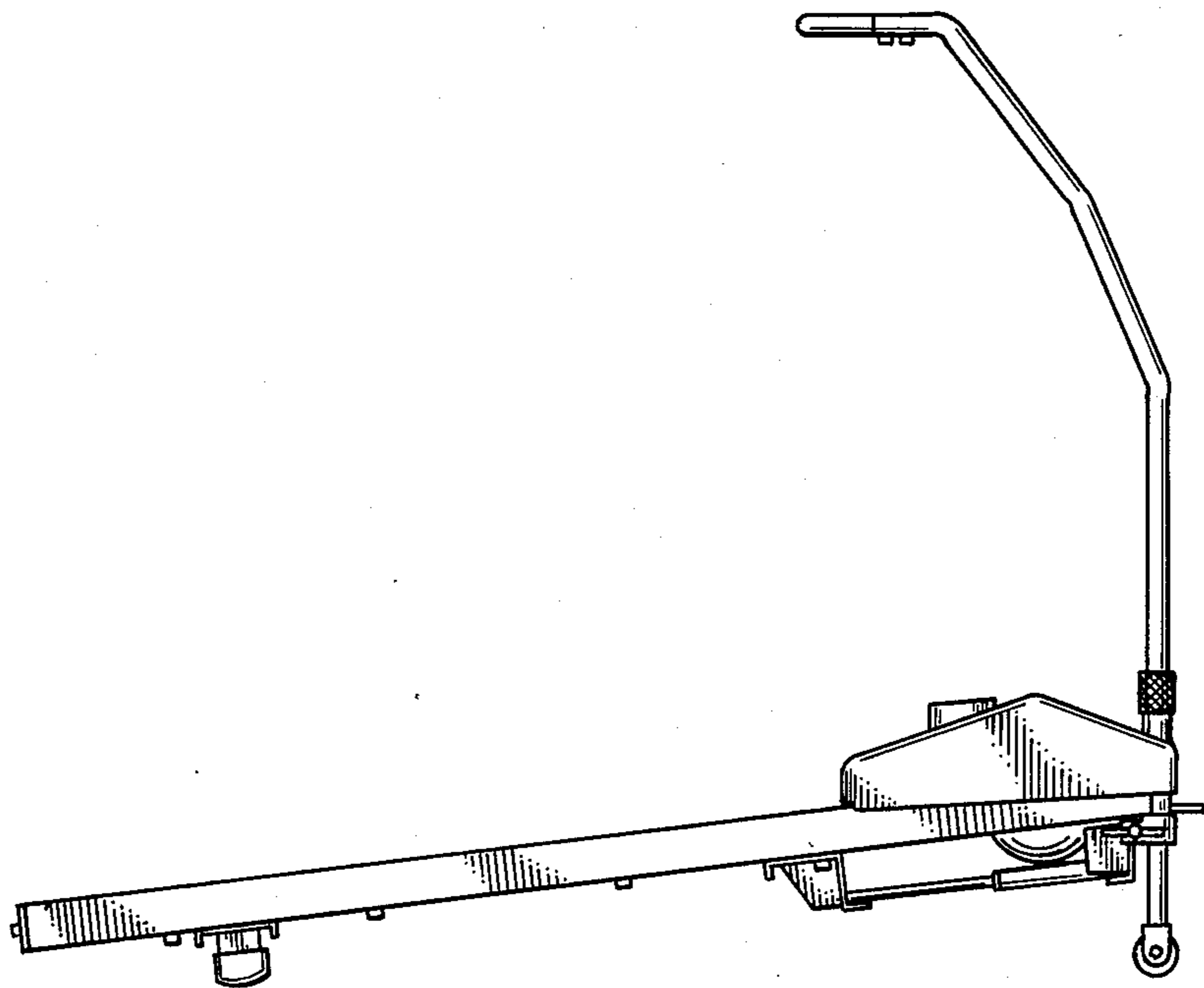


Fig. 4

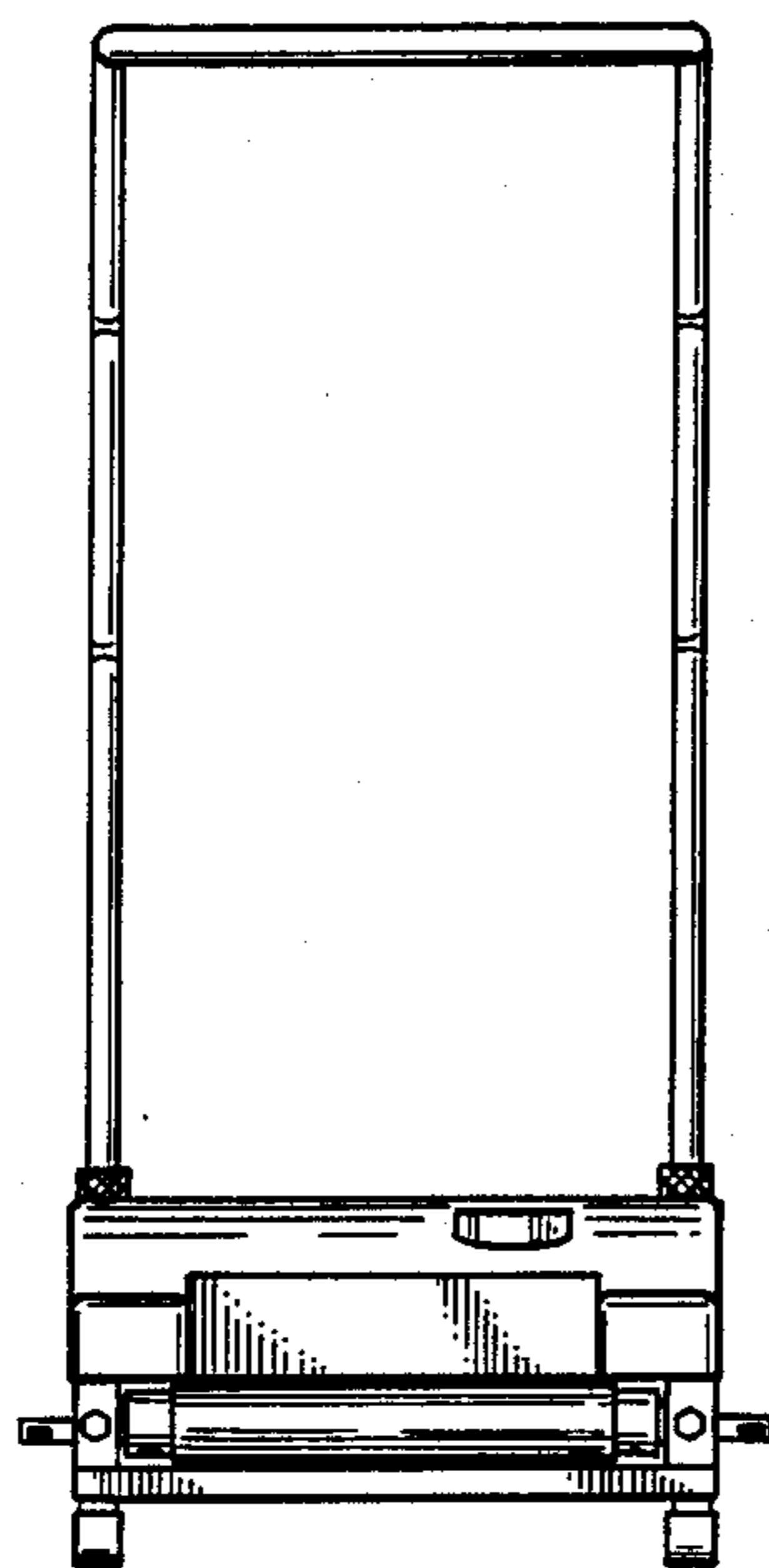


Fig. 5

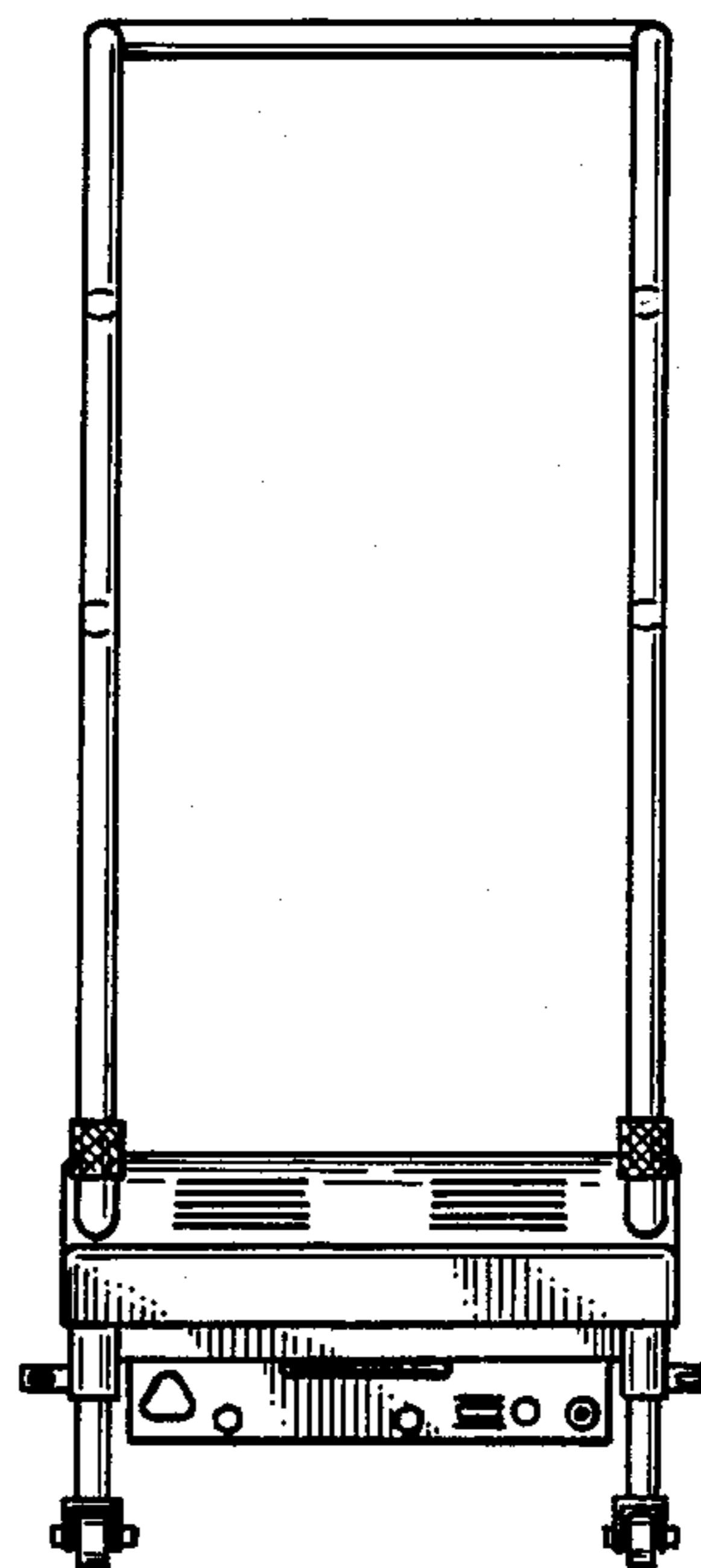


Fig. 6

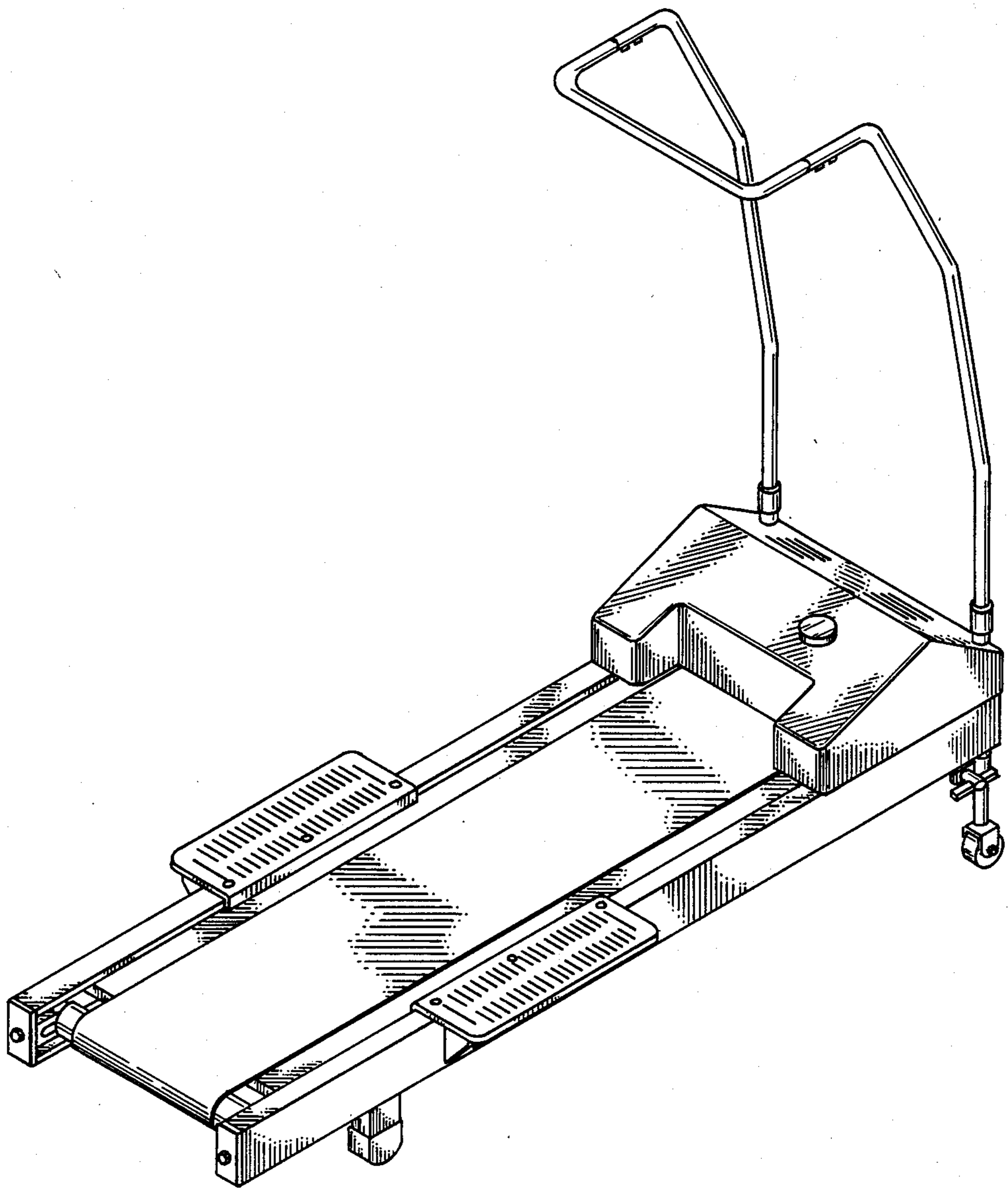


Fig. 7

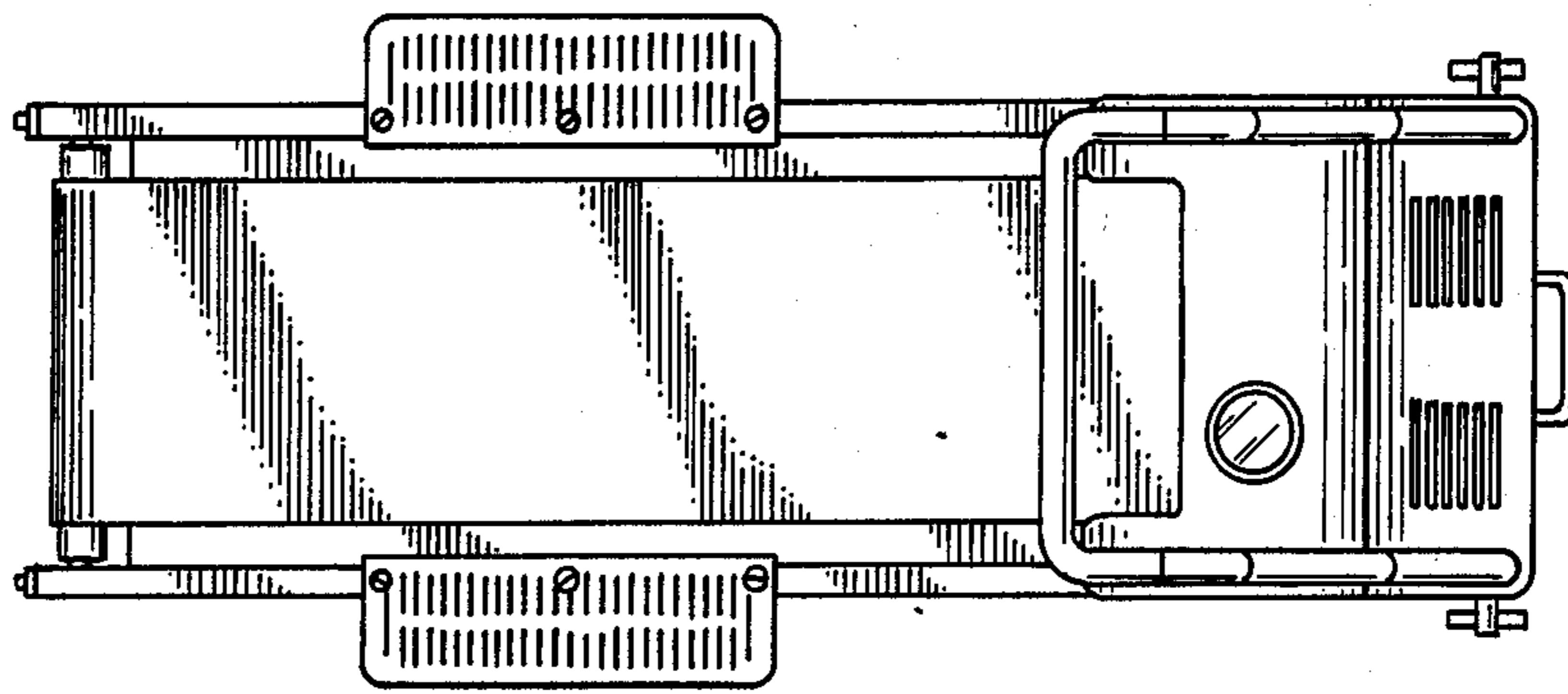


Fig. 8

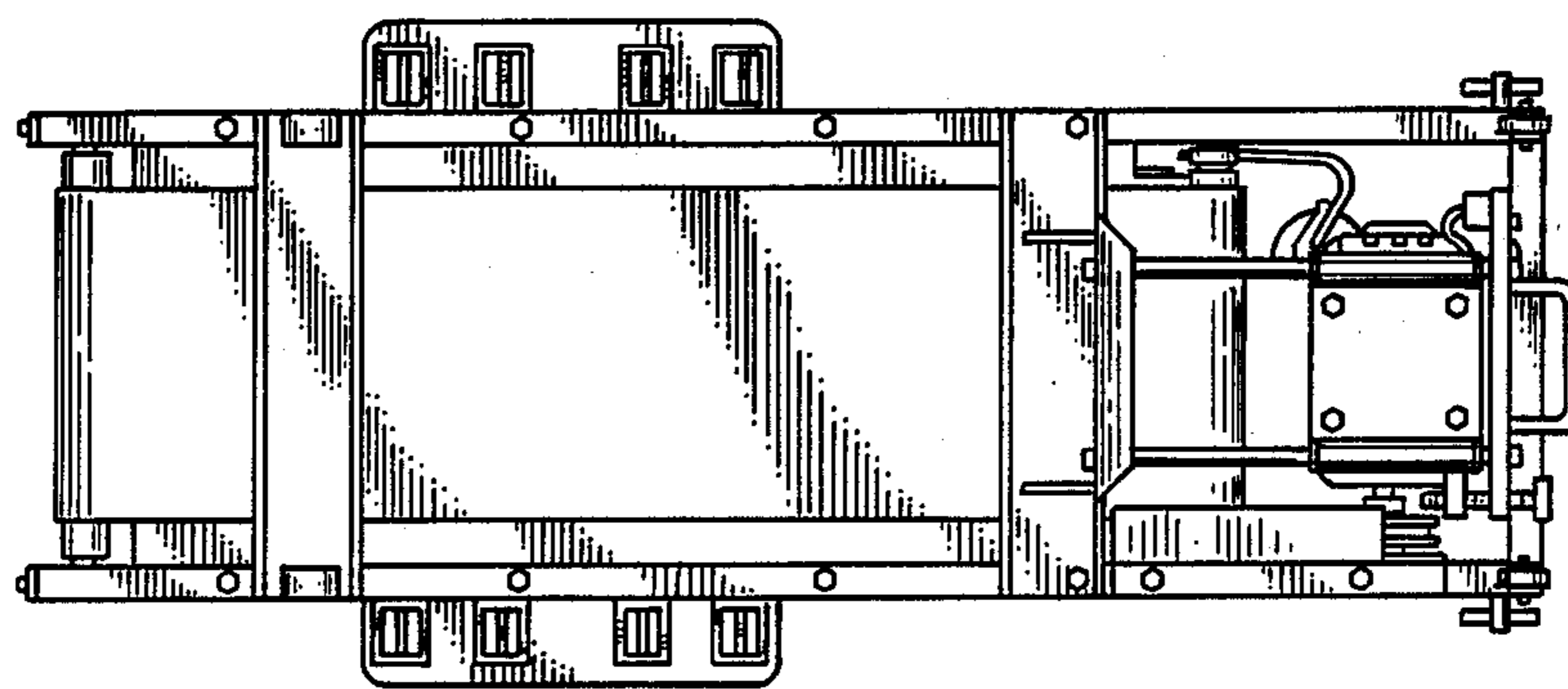


Fig. 9

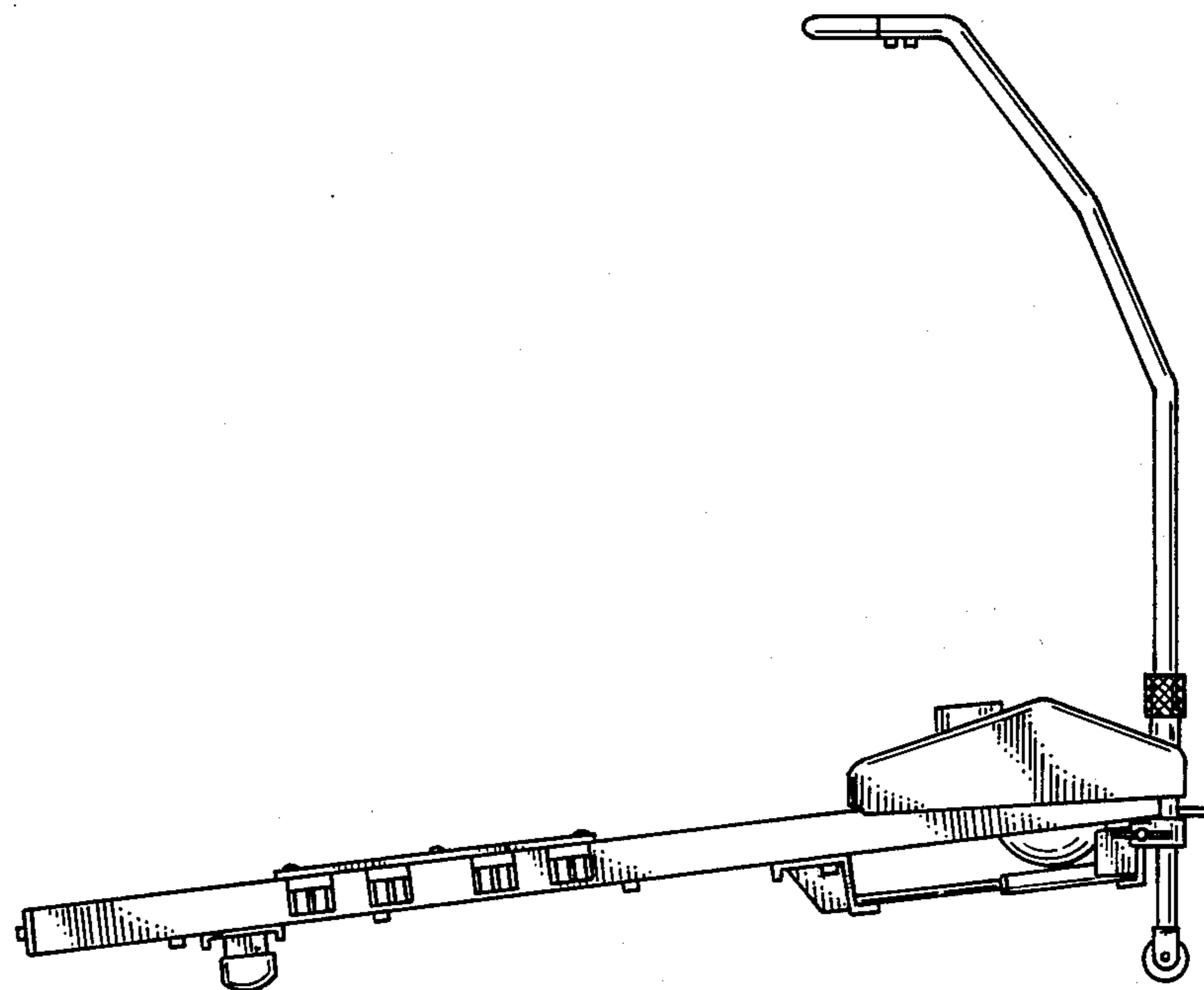


Fig. 10

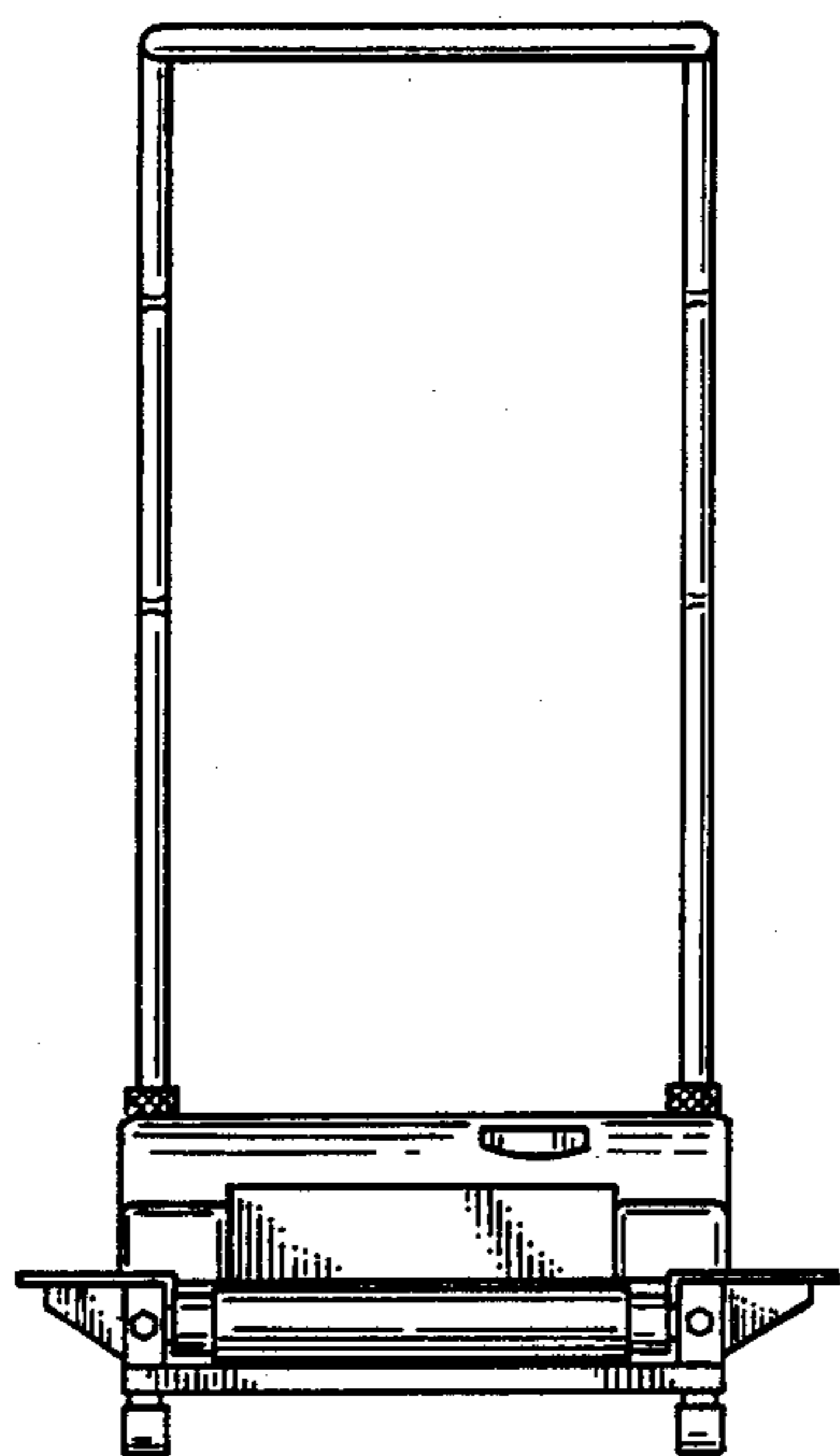


Fig. 11

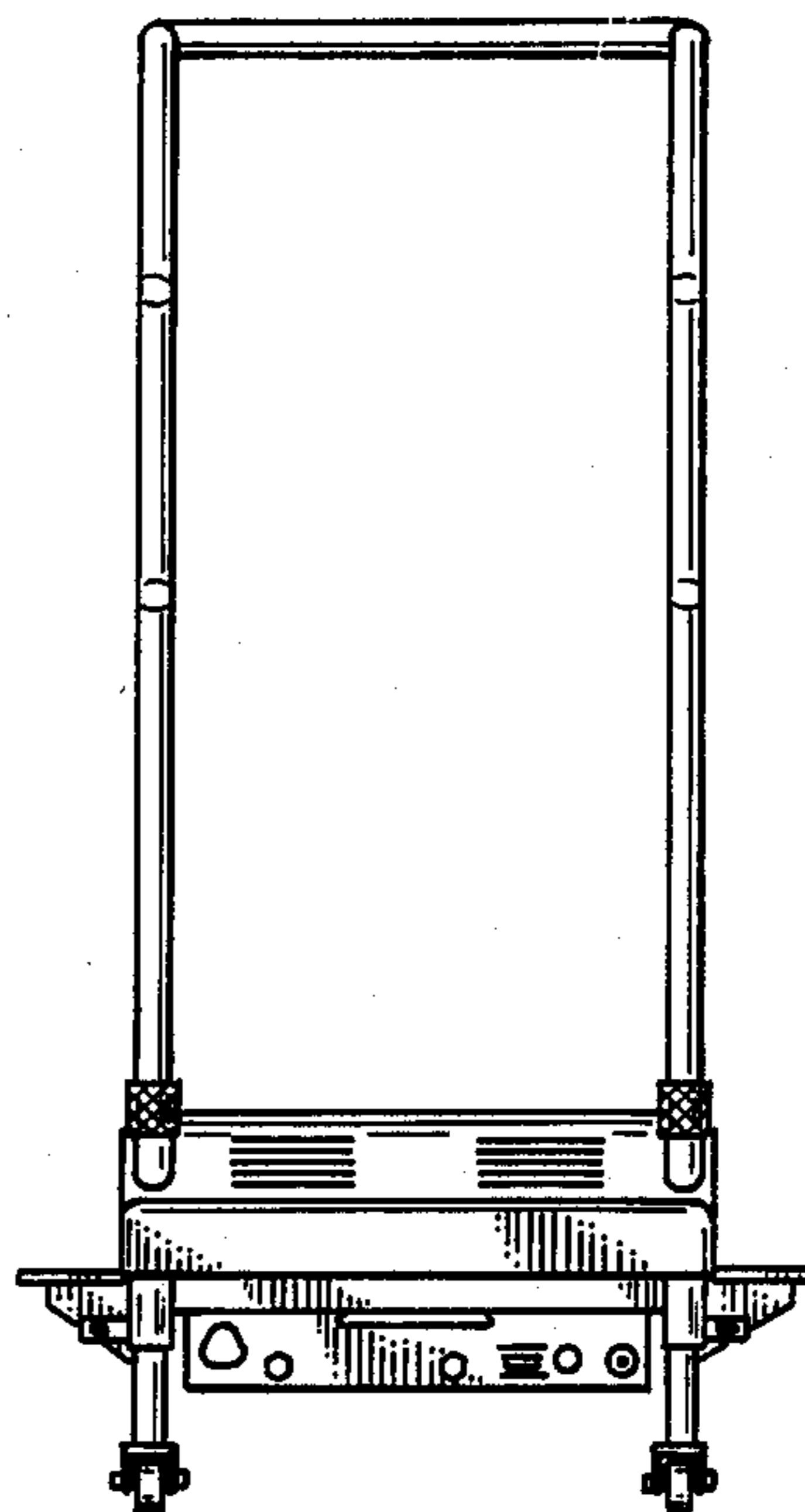


Fig. 12