

[54] EXERCISE WHEEL

[76] Inventors: **Tomas J. Shiek**, 4856 Jersey Ave. N., Crystal, Minn. 55428; **Alphonse C. Brinkman**, 6409 Berkshire La. N., Maple Grove, Minn.

[\*\*] Term: 14 Years

[21] Appl. No.: 919,452

[22] Filed: Oct. 14, 1986

[52] U.S. Cl. .... D21/198

[58] Field of Search ..... D21/191-199; 272/67, 68, 123, 124, 122

[56] References Cited

U.S. PATENT DOCUMENTS

D. 224,935 10/1972 Winger ..... D21/198

D. 248,493 7/1978 Mongrief ..... D21/198  
174,704 3/1876 Rice ..... 446/420  
2,475,656 7/1949 Bidak ..... D21/198  
2,796,269 6/1957 Watson ..... 272/123

Primary Examiner—Charles A. Rademaker  
Attorney, Agent, or Firm—Terry M. Gernstein

[57] CLAIM

The ornamental design for an exercise wheel, as shown and described.

DESCRIPTION

FIG. 1 is a perspective view of an exercise wheel showing our new design; FIG. 2 is a side elevational view thereof, the side opposite being identical; and FIG. 3 is an end elevational view thereof, the end opposite being identical.

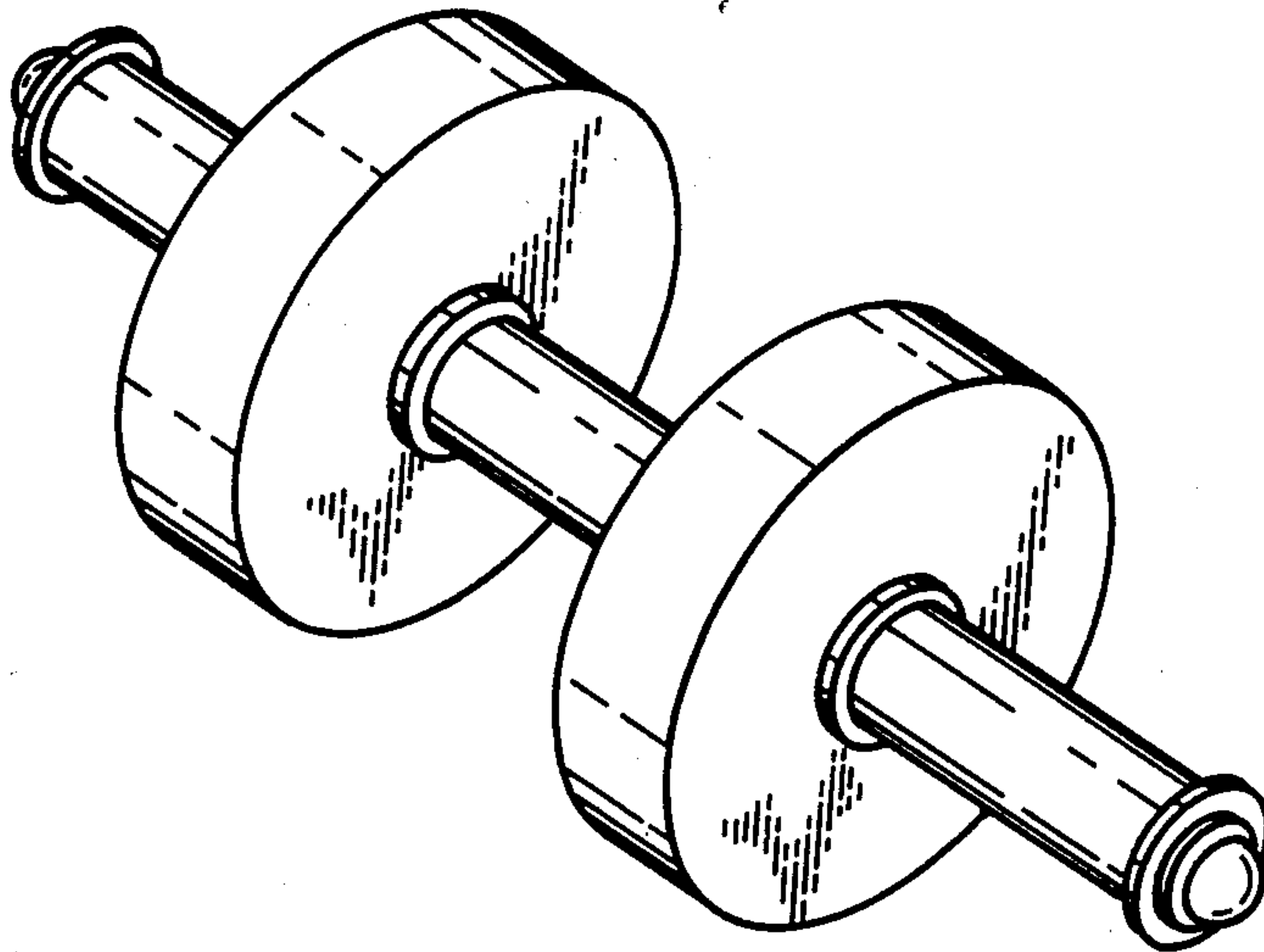


Fig. 1

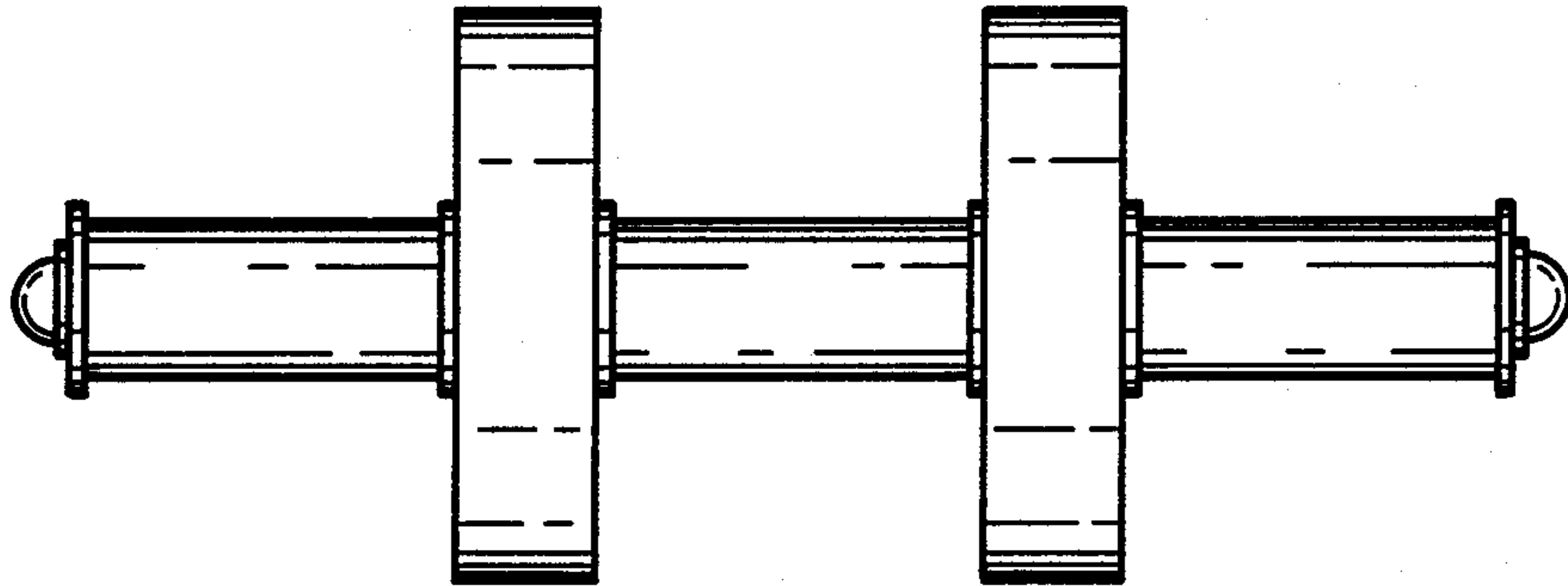
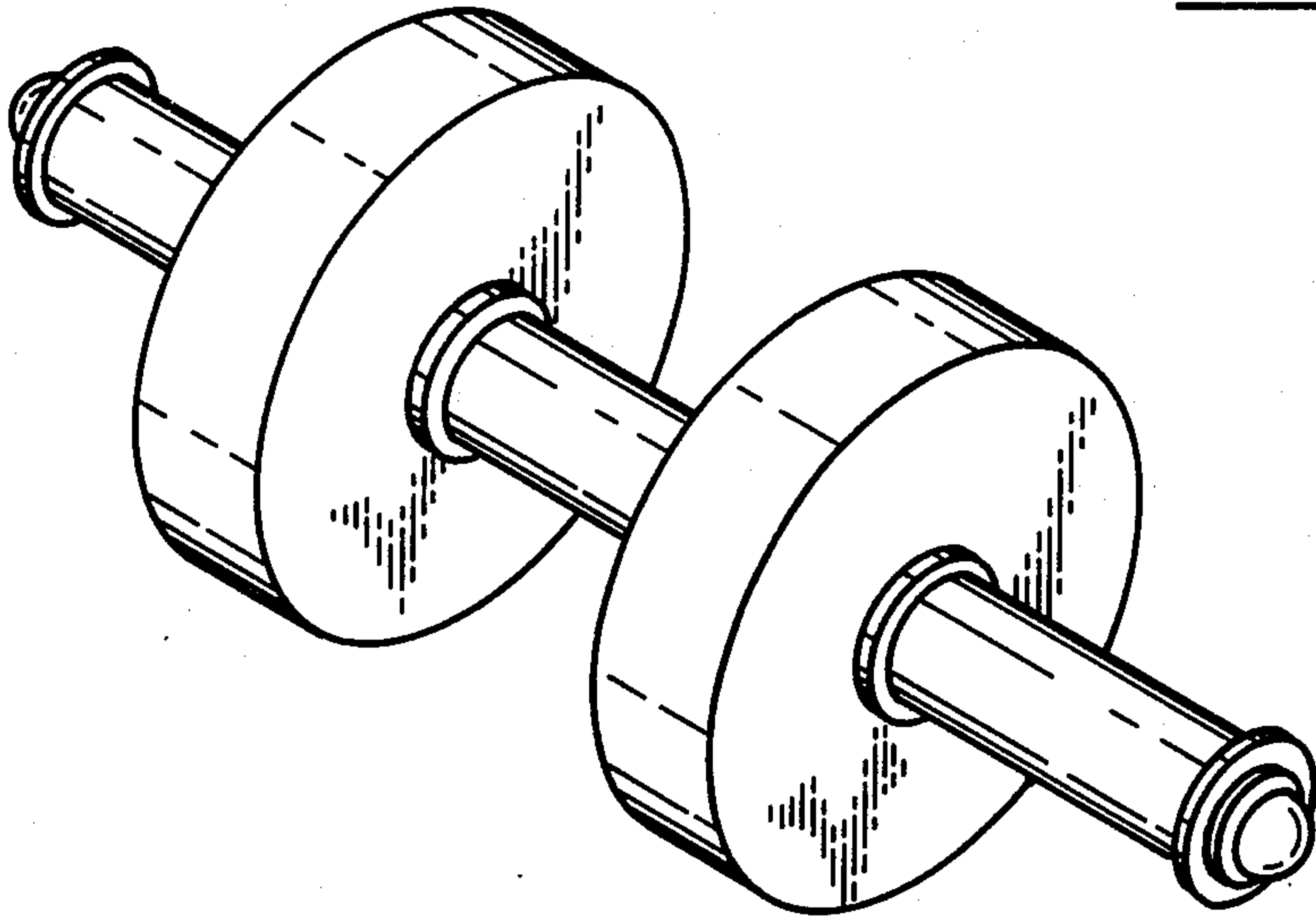


Fig. 2

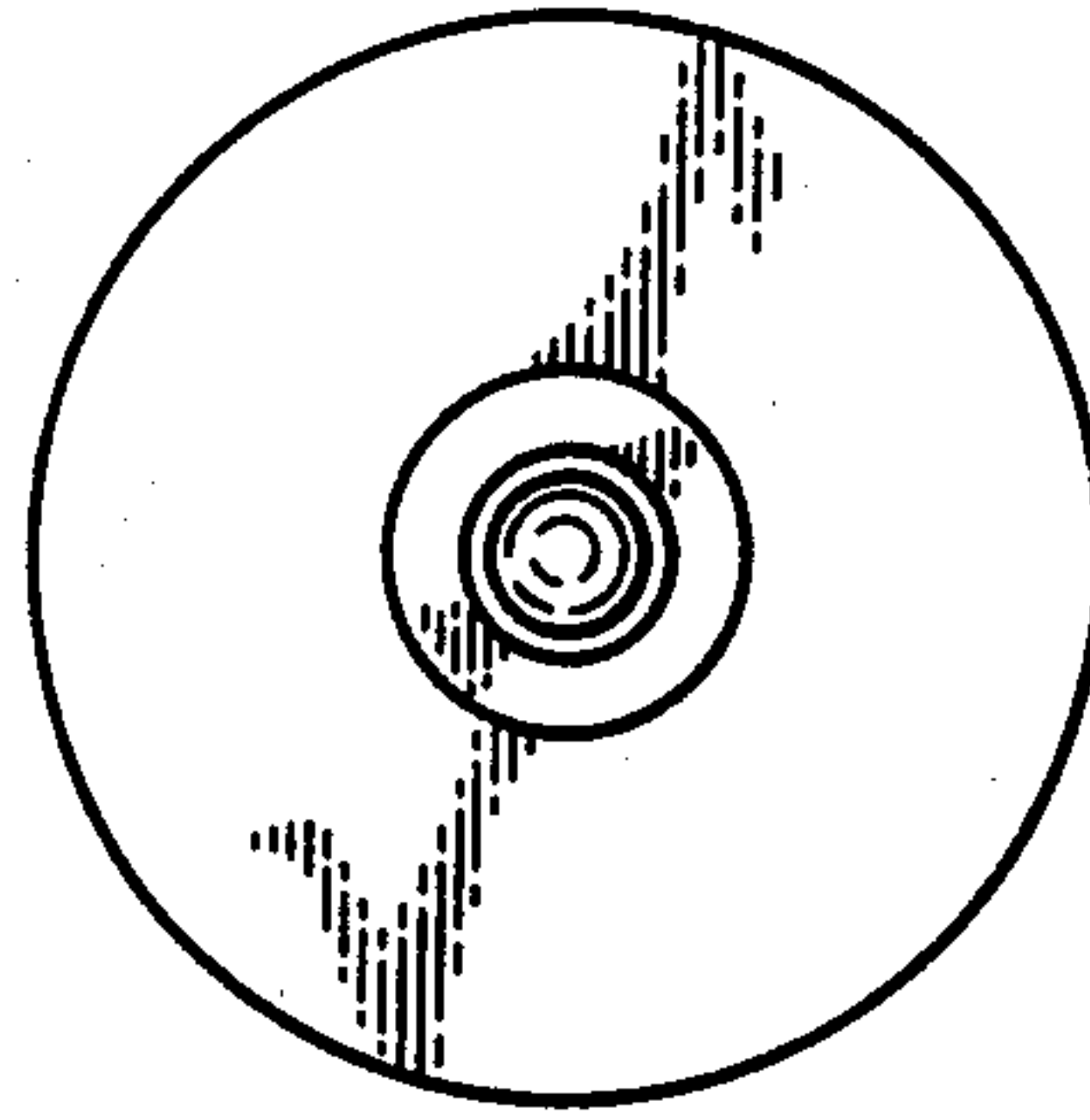


Fig. 3