

[54] ROCKING TOY

2,475,289 7/1949 MacGregor ..... 272/52

[76] Inventor: Timothy J. Delorey, 4900 Nichols Rd., Apt. 1204, Bay City, Tex. 77414

Primary Examiner—Charles A. Rademaker  
Attorney, Agent, or Firm—Terry M. Gernstein

[\*\*] Term: 14 Years

[57] CLAIM

[21] Appl. No.: 884,265

The ornamental design for a rocking toy, as shown and described.

[22] Filed: Jul. 10, 1986

DESCRIPTION

[52] U.S. Cl. .... D21/66

[58] Field of Search ..... D21/66-70;  
272/55, 52, 30, 33 R, 33 A; D6/344, 348

FIG. 1 is a left side elevational view of a rocking toy showing my new design.

FIG. 2 is a front elevational view thereof, the end opposite being substantially identical;

FIG. 3 is a top plan view thereof;

FIG. 4 is a bottom plan view thereof;

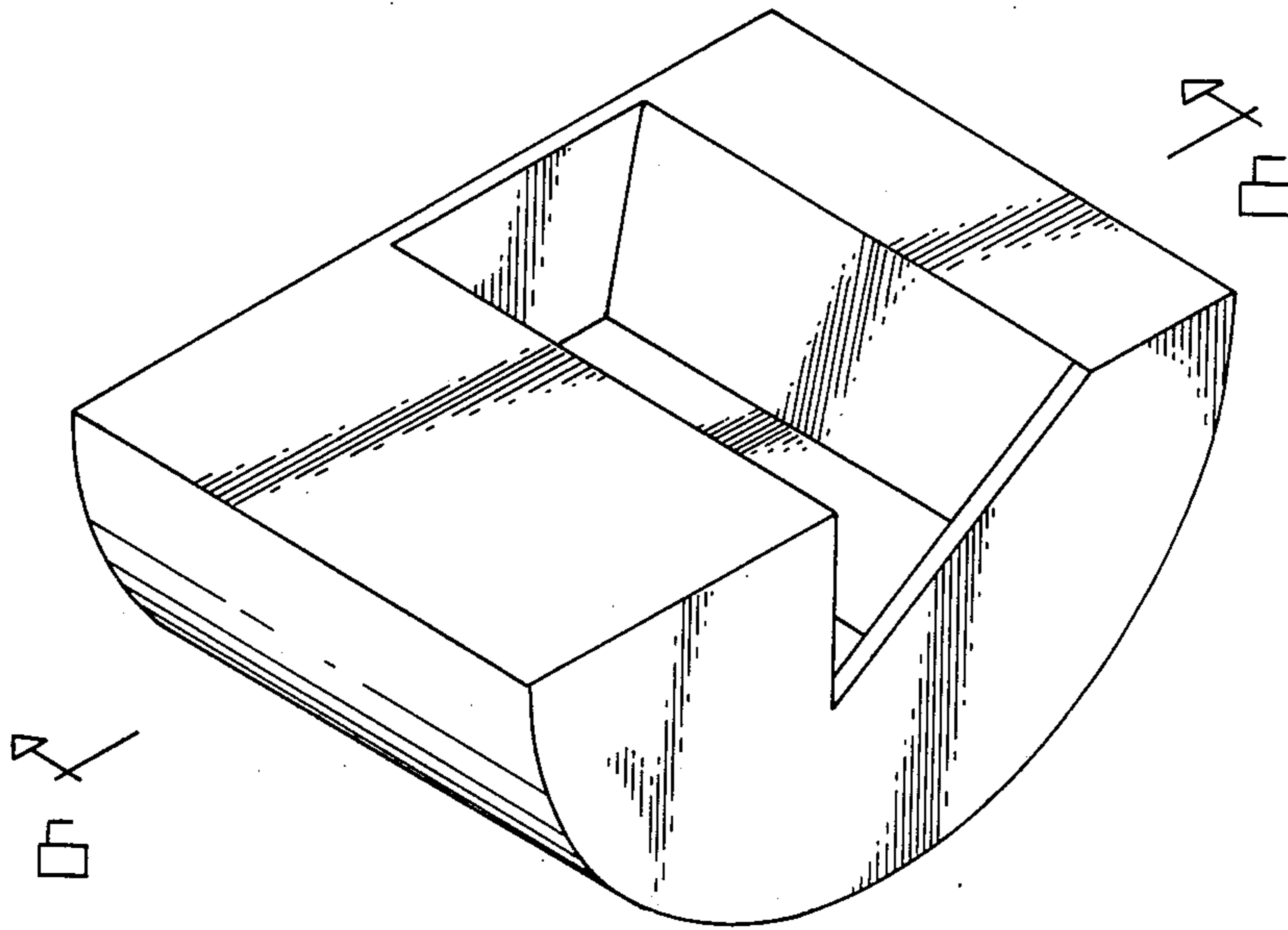
FIG. 5 is a top perspective view thereof; and,

FIG. 6 is a cross-sectional view thereof taken along line 6-6 in FIG. 5.

[56] References Cited

U.S. PATENT DOCUMENTS

- D. 102,246 12/1936 Arnold ..... D21/69
- D. 139,016 10/1944 Kramer ..... D21/68
- D. 148,333 1/1948 Sebel ..... D21/68



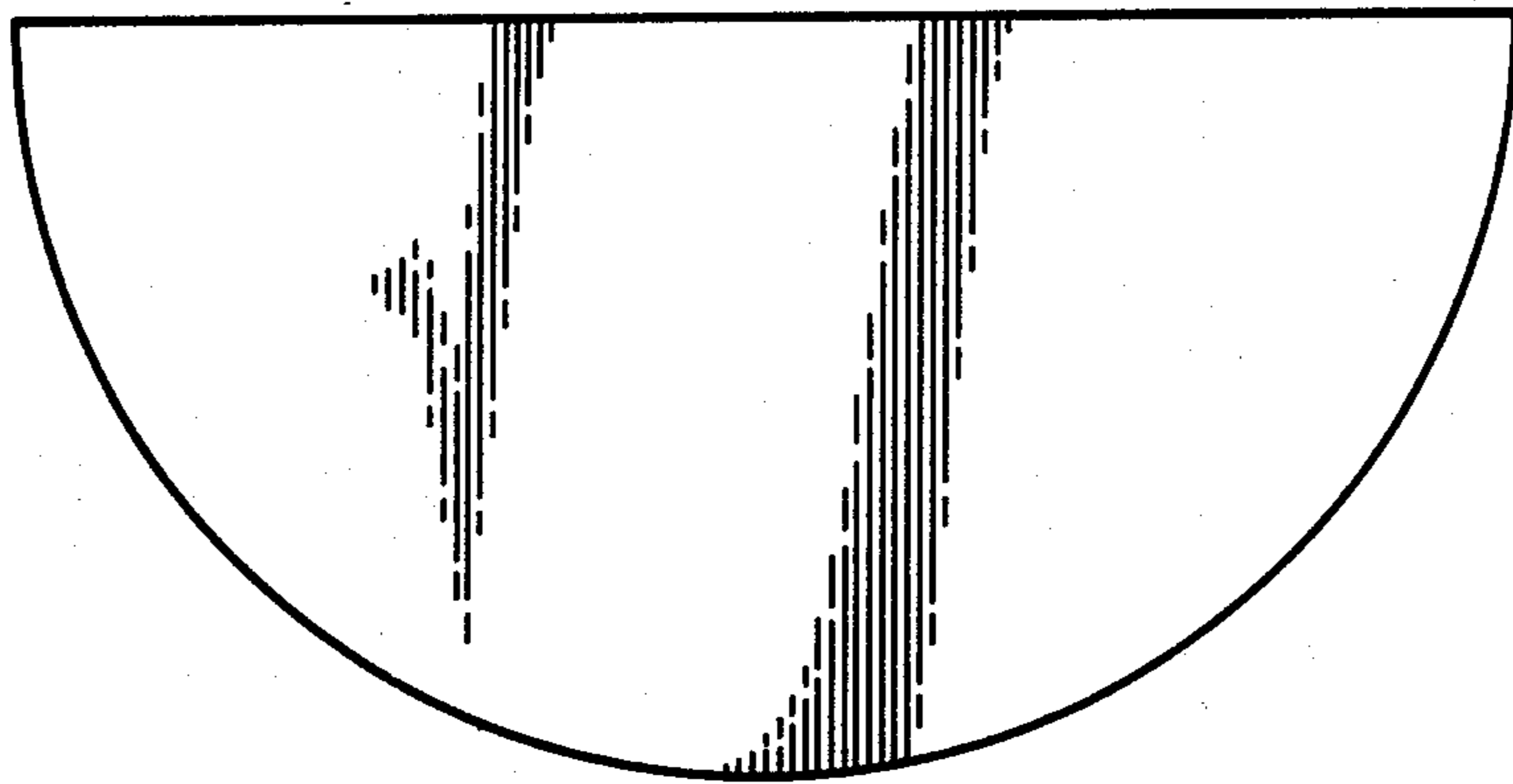


Fig. 1

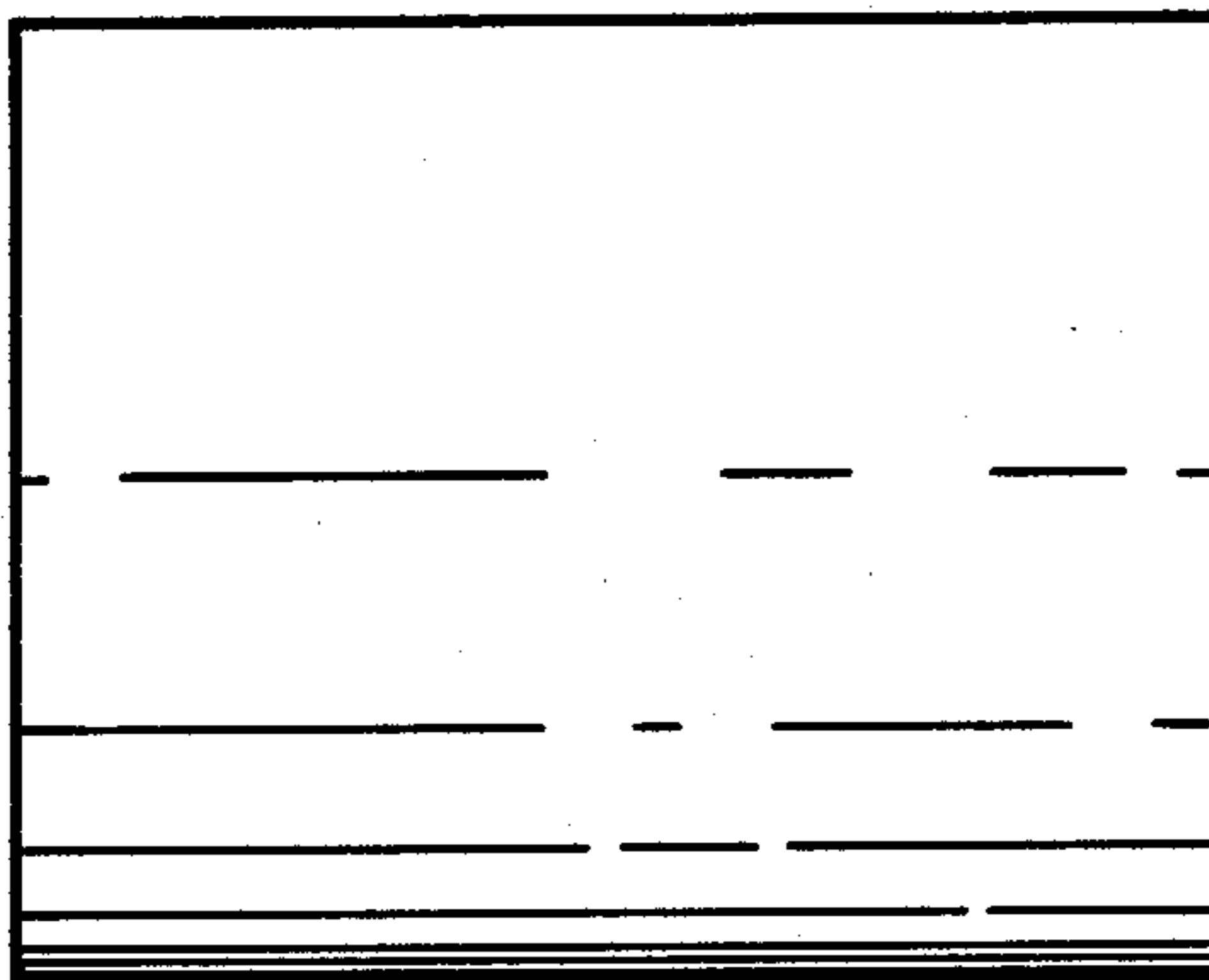


Fig. 2

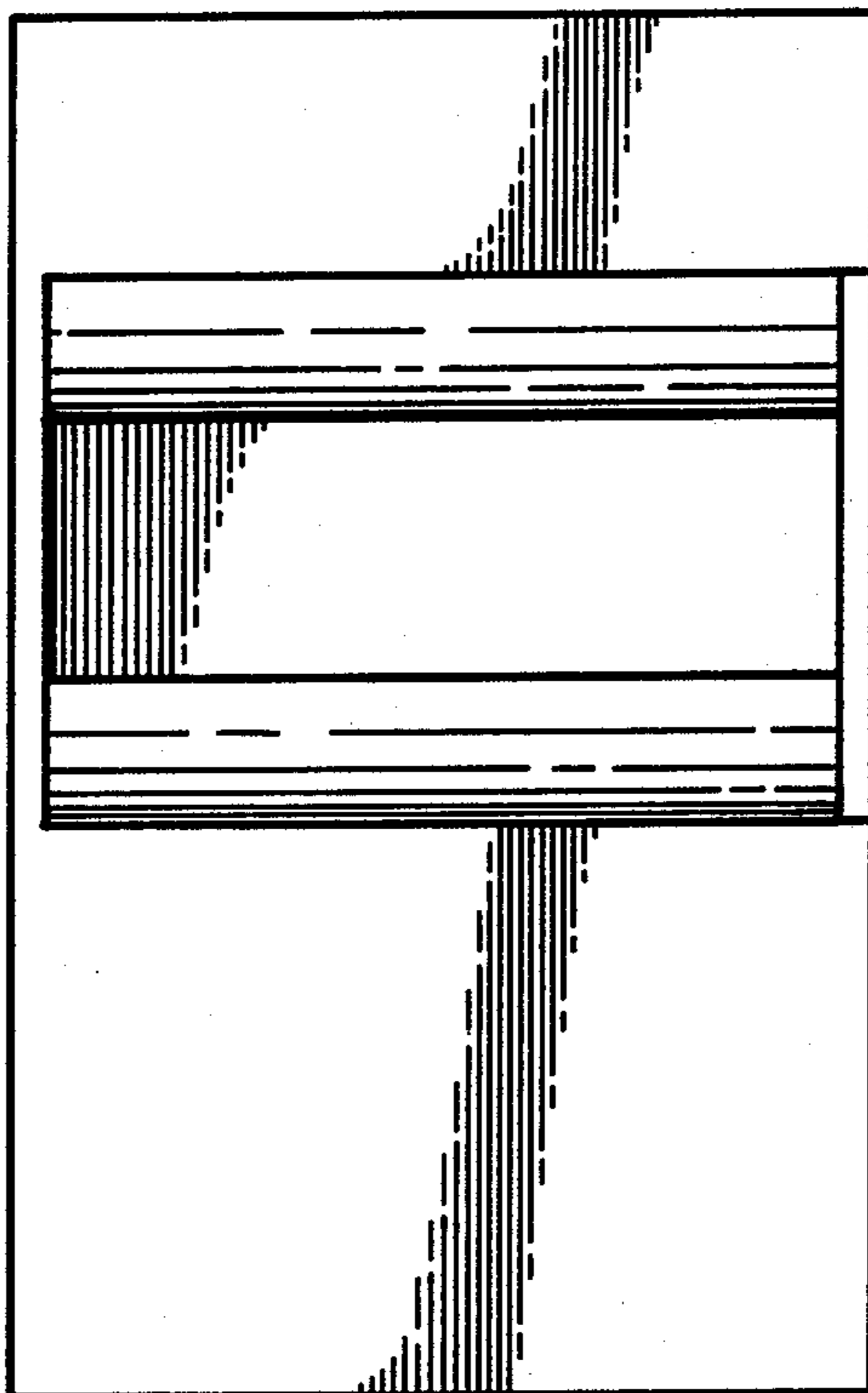


Fig. 3

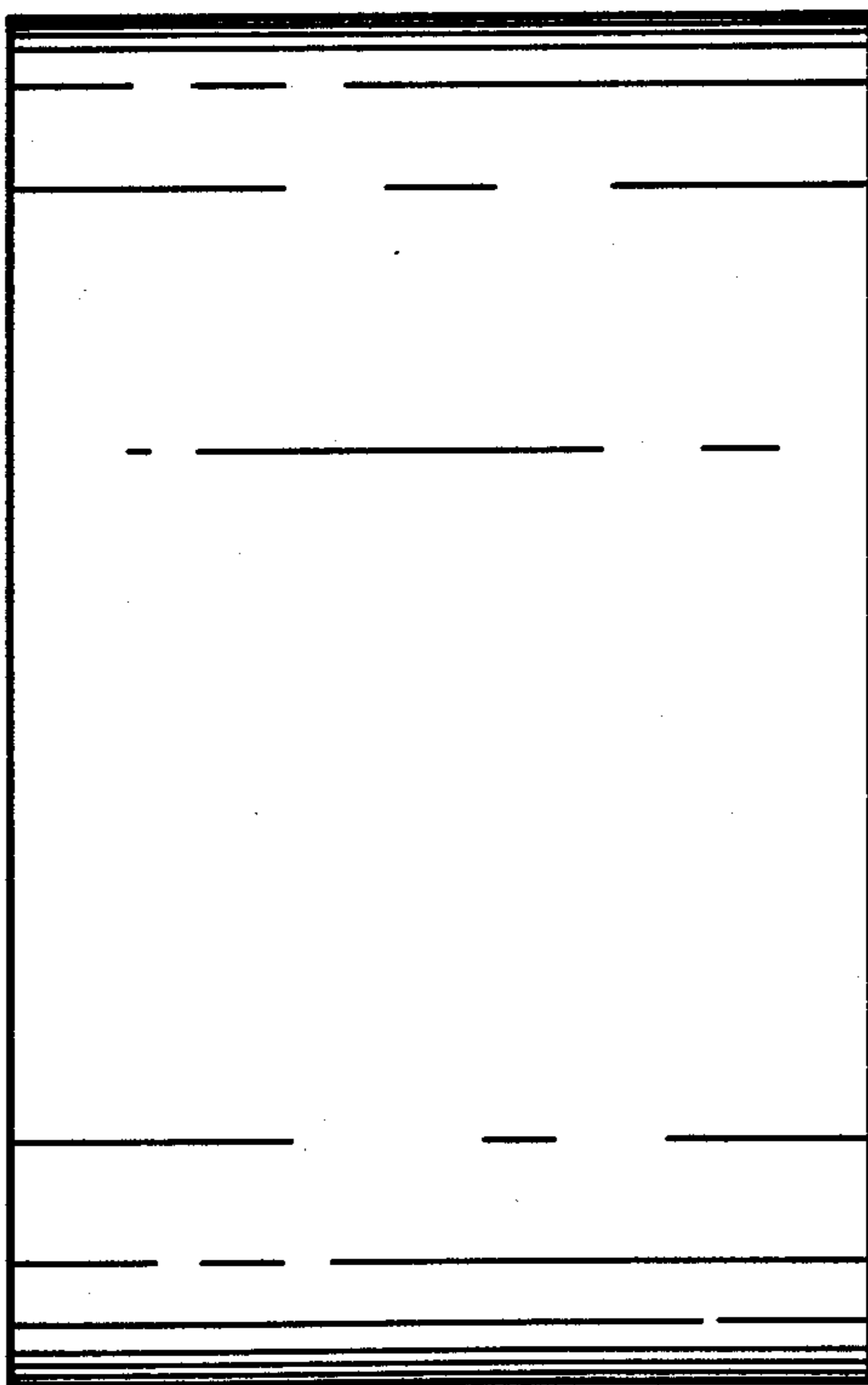


Fig. 4

Fig. 5

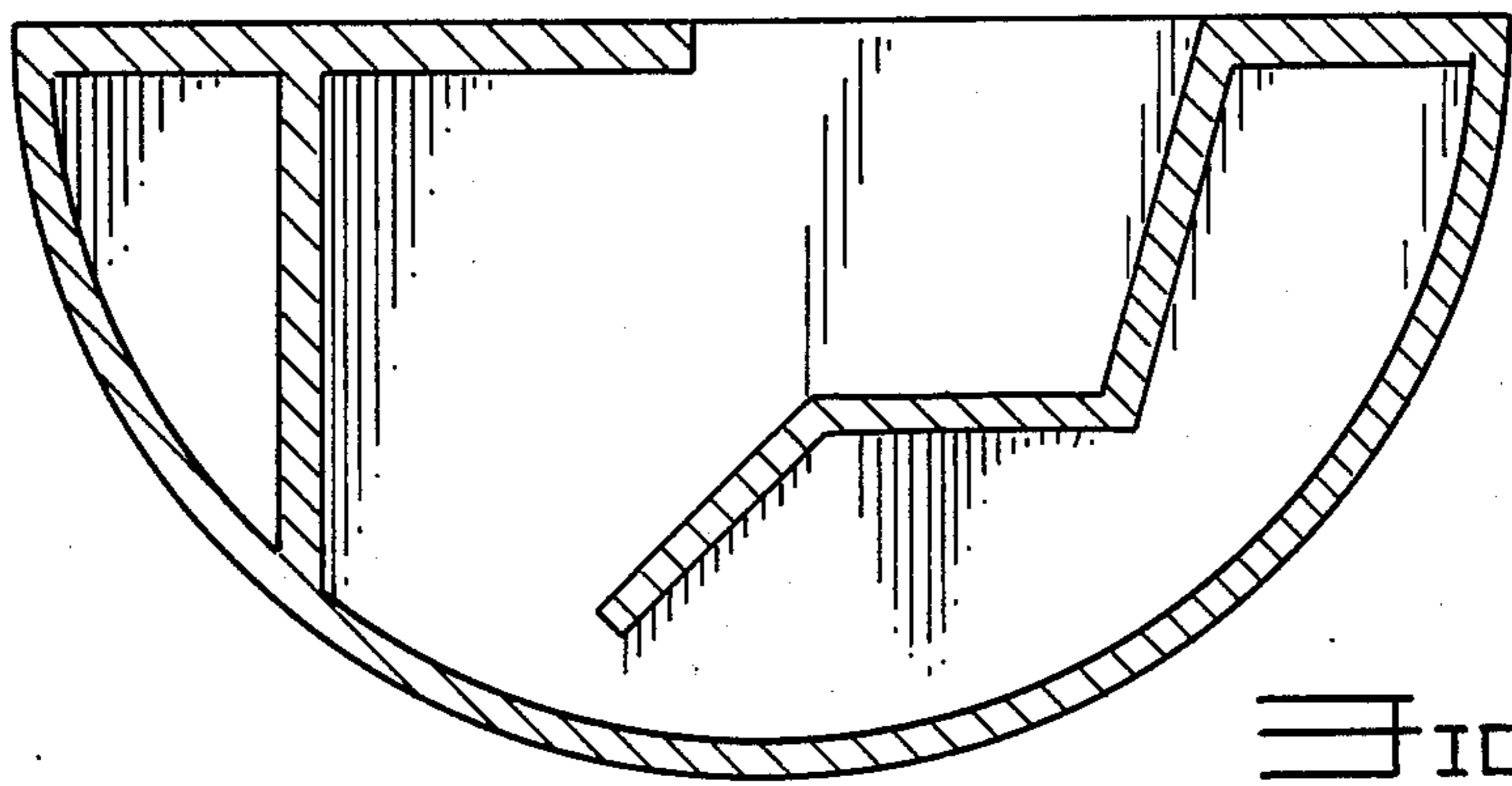
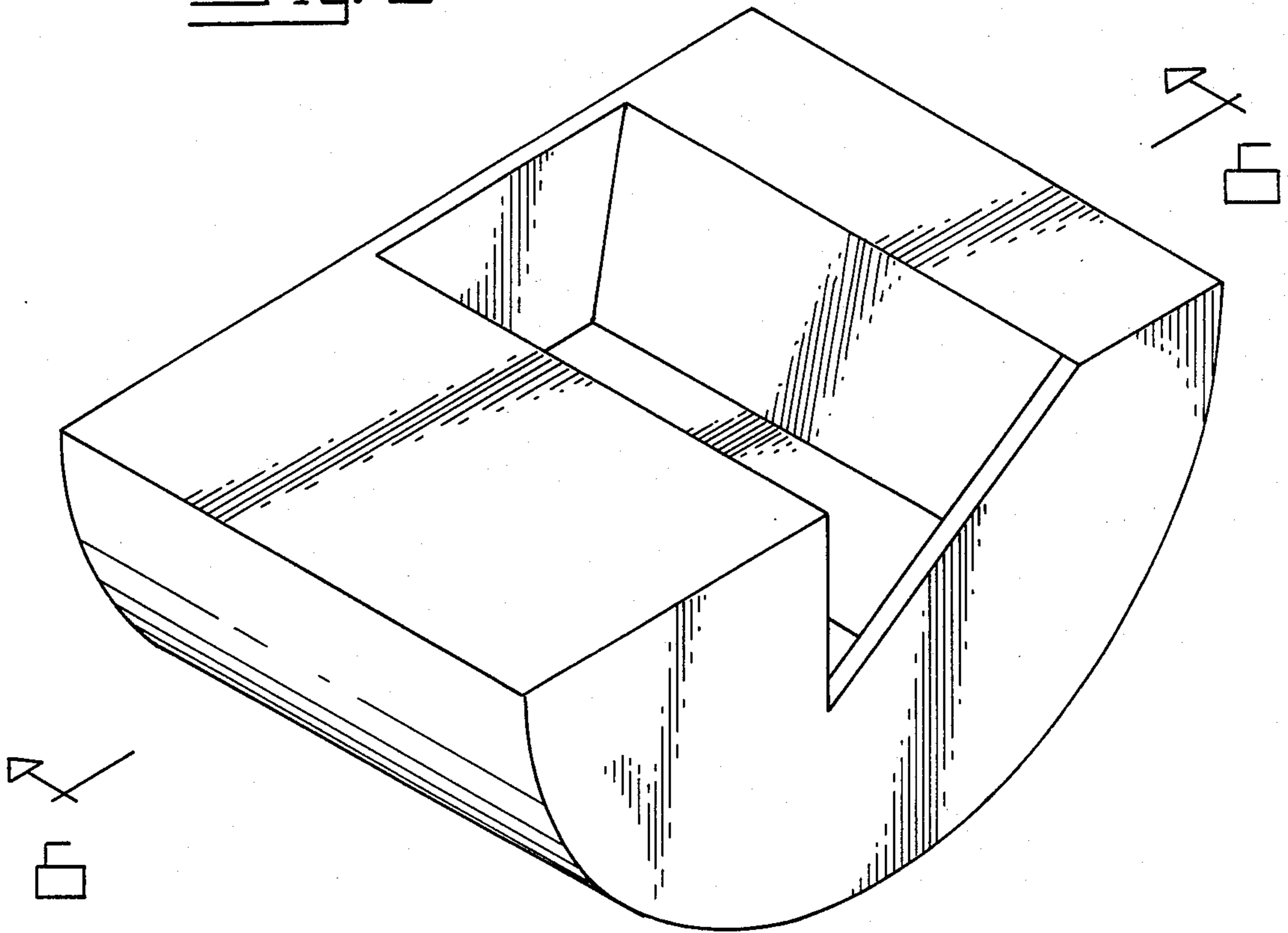


Fig. 6