

[54] LOTTERY NUMBER SELECTOR

[76] Inventor: William D. Rice, 1350 Limeridge Road East, Unit #52, Hamilton, Ontario, Canada, L8W 1L6

[\*\*] Term: 14 Years

[21] Appl. No.: 67,815

[22] Filed: Jun. 30, 1987

[52] U.S. Cl. .... D21/37

[58] Field of Search ..... D21/1, 12, 14-21, D21/25-37, 39, 48, 50-51, 53, 54-56; 273/138 R, 144 R, 144 A, 144 B, 145 R, 145 C, 153 R; 206/528, 539, 457; 229/6 R, 8; D9/307, 321

[56] References Cited

U.S. PATENT DOCUMENTS

- D. 95,576 5/1935 Brenner ..... D9/321
- D. 107,981 1/1938 Weissman ..... D9/321
- D. 114,679 5/1939 Hendler ..... D27/114
- D. 203,752 2/1966 Nickman ..... D21/20
- D. 214,518 6/1969 Anderson ..... D21/51

70,769	11/1867	Raymond	.....	273/123 R
606,744	7/1898	St. John	.....	273/236
730,749	6/1903	Dorsey	.....	273/123 R
1,678,958	7/1928	Schleicher	.....	229/8
2,124,142	7/1938	Krumm	.....	229/8
2,464,161	3/1949	Trachtenberg	.....	206/457 X
2,540,969	2/1961	Tylon	.....	206/457 X
2,635,745	4/1953	Tylon	.....	206/457 X

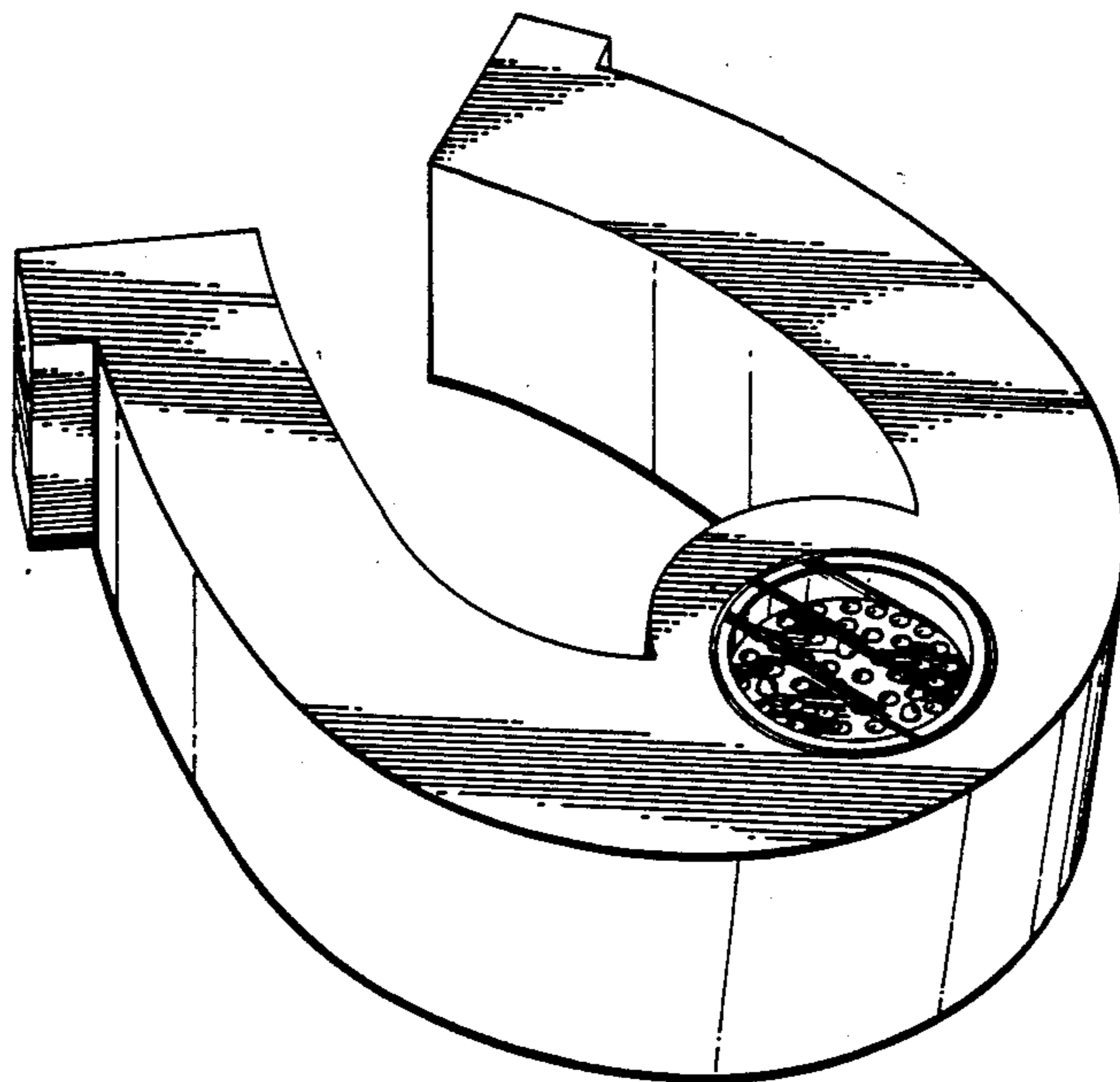
Primary Examiner—Bernard Ansher  
Assistant Examiner—C. Tuttle

[57] CLAIM

The ornamental design for a lottery number selector, as shown.

DESCRIPTION

FIG. 1 is a top perspective view of a lottery number selector showing my new design; FIG. 2 is a top plan view thereof; FIG. 3 is a right side elevational view thereof; FIG. 4 is a rear elevational view thereof; FIG. 5 is a bottom plan view thereof; FIG. 6 is a left side elevational view thereof; and FIG. 7 is a front elevational view thereof.



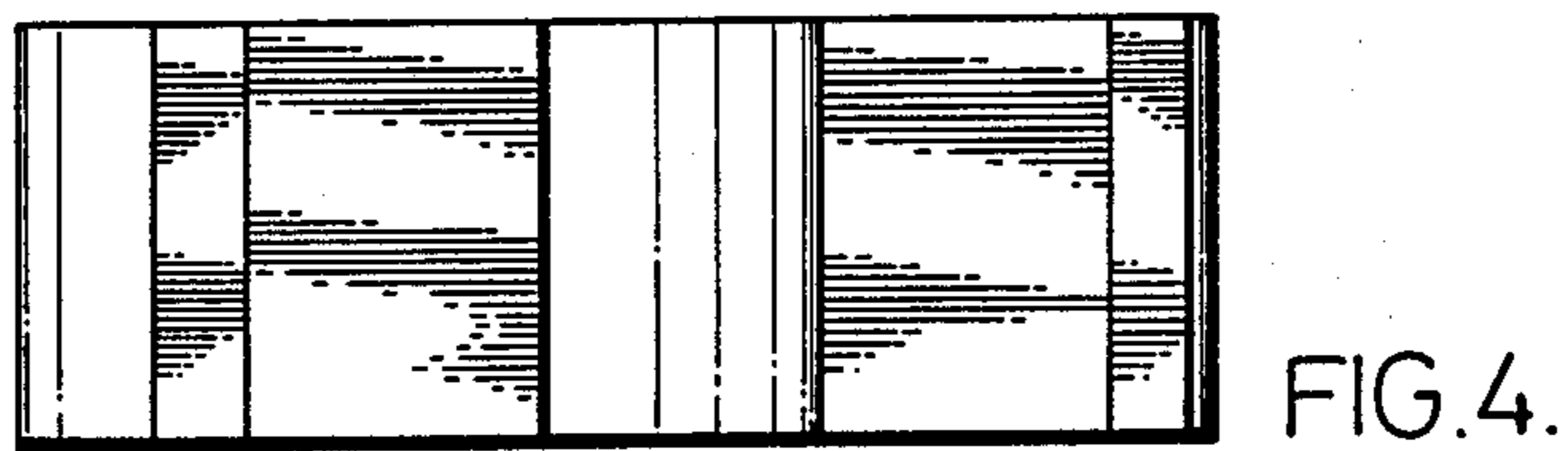
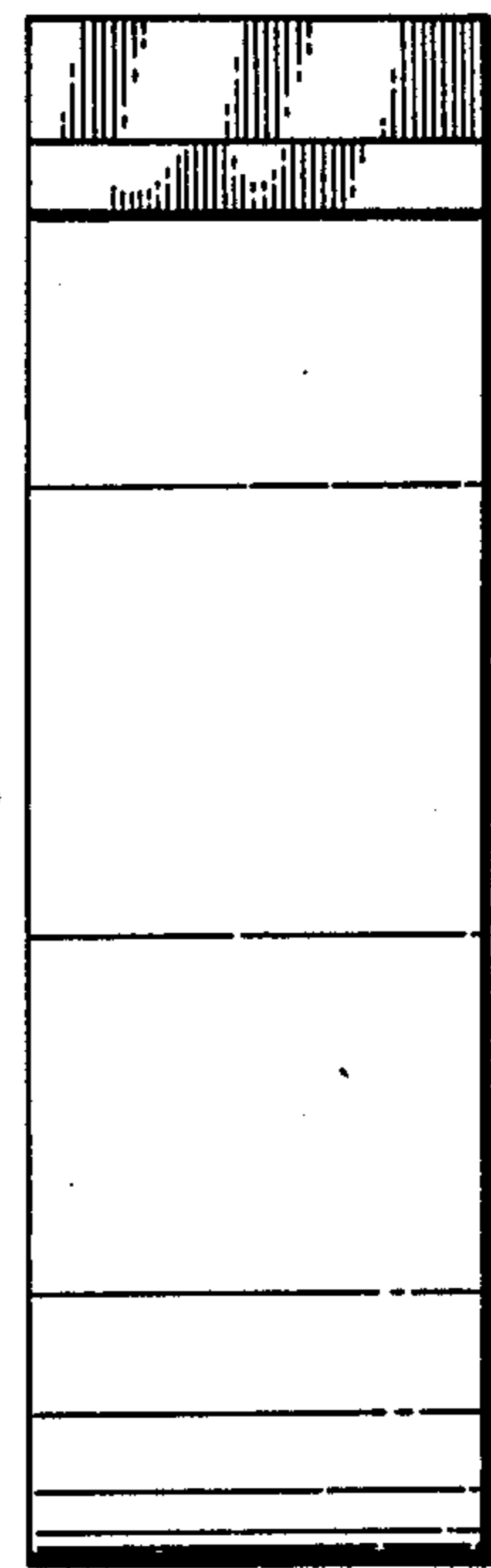
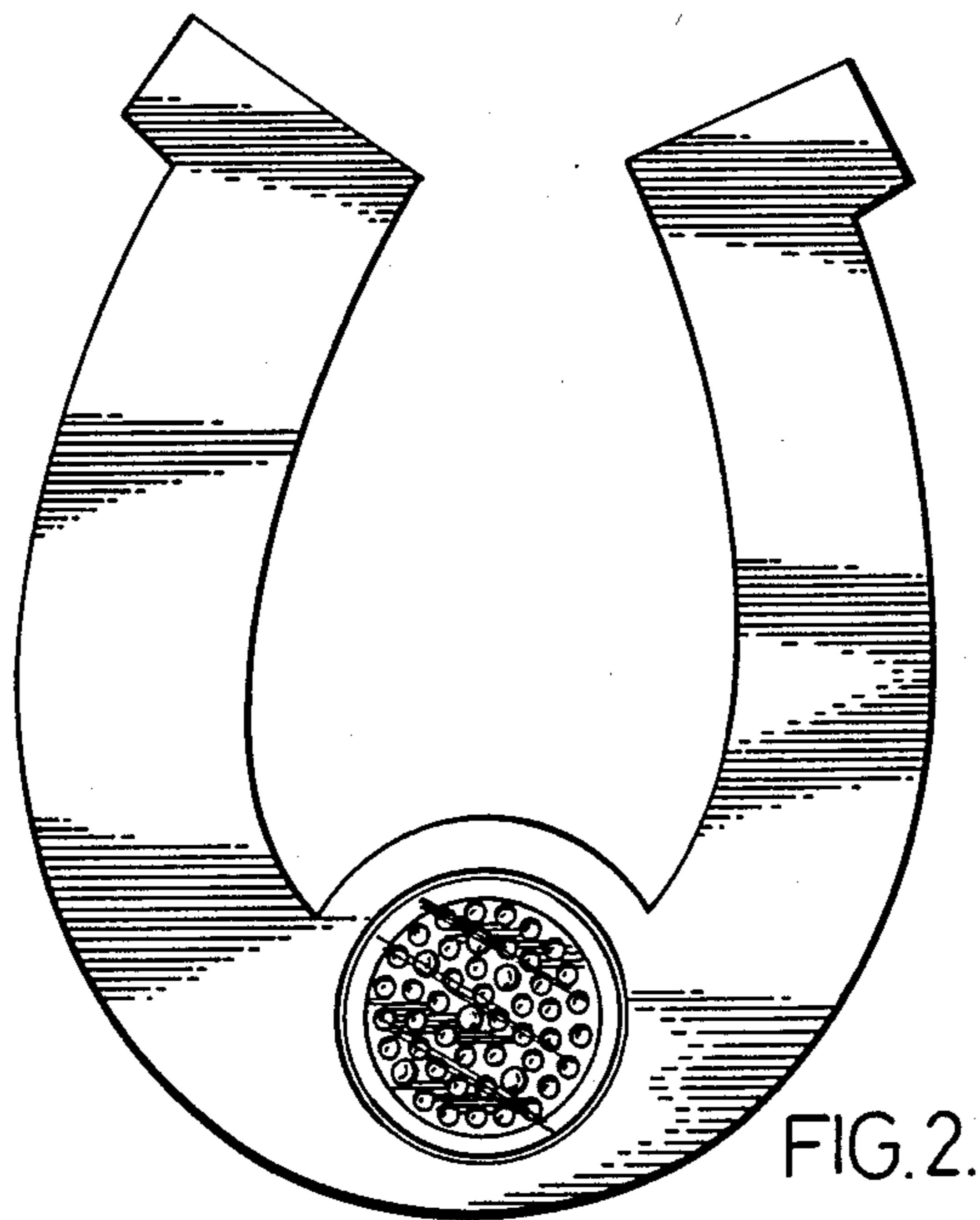
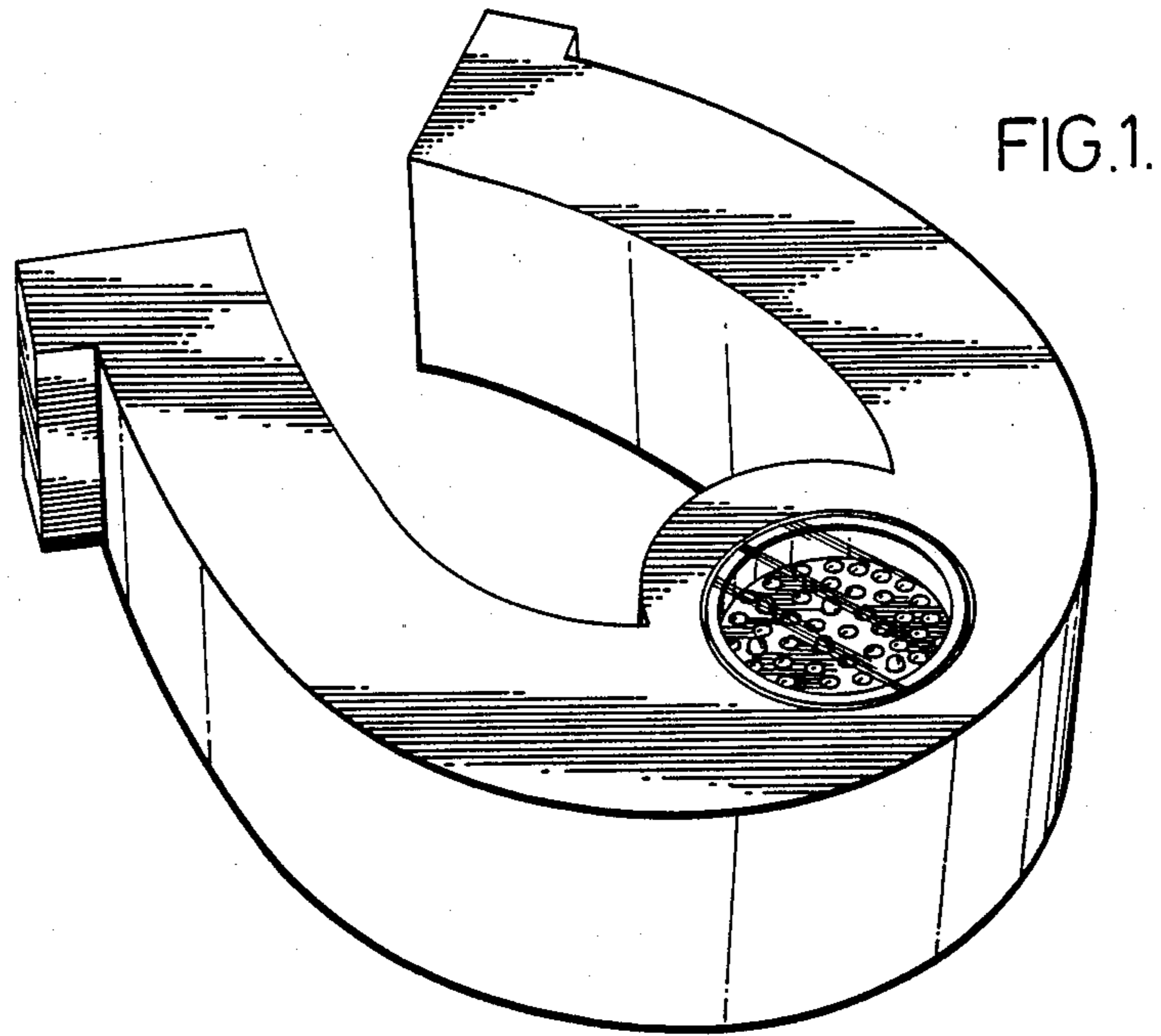


FIG. 5.

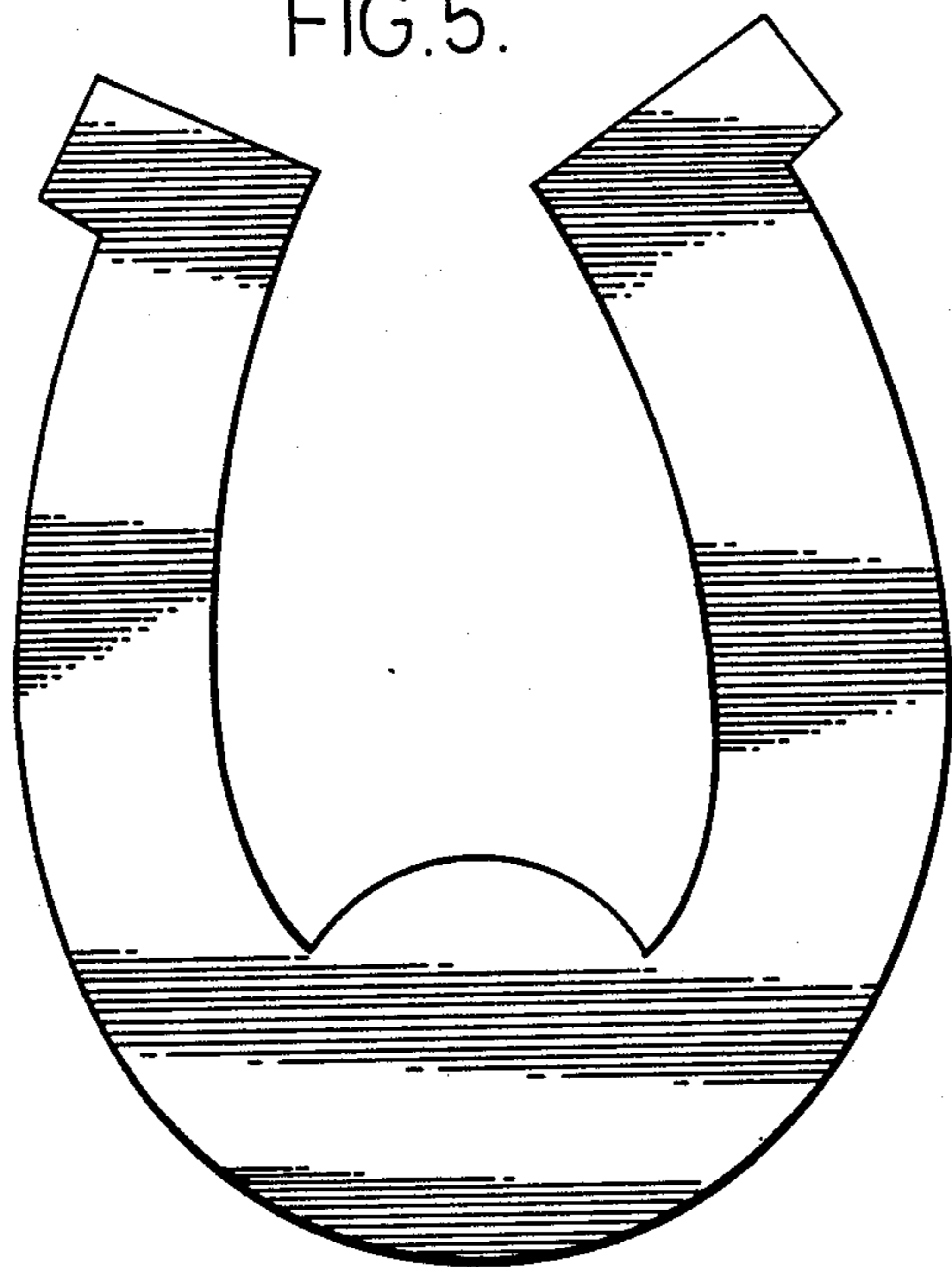


FIG. 6.

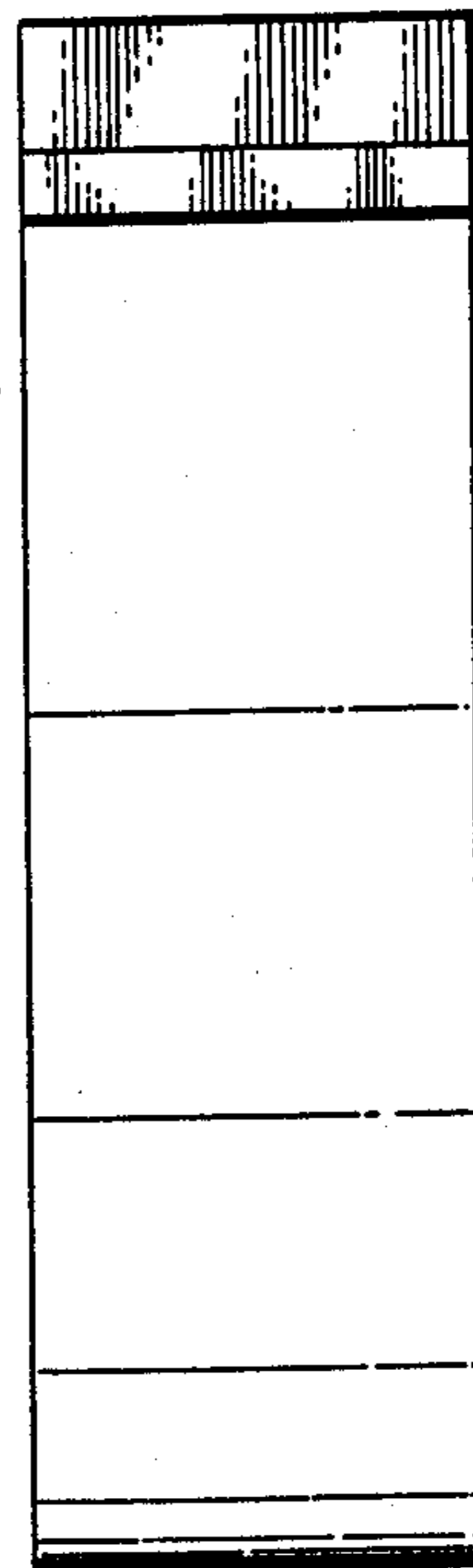


FIG. 7.

