

[54] **PRODUCT DISPLAY SHELF EXTENDER**

4,718,627 1/1988 Fast et al. 248/220.3

[76] **Inventor: Joseph Crowley, 9639 Wystone Ave., Northridge, Calif. 91324**

Primary Examiner—Wallace R. Burke
Assistant Examiner—Marcus Jackson
Attorney, Agent, or Firm—David O'Reilly

[**] **Term: 14 Years**

[21] **Appl. No.: 38,530**

[57] **CLAIM**

The ornamental design for a product display shelf extender, as shown and described.

[22] **Filed: Apr. 14, 1987**

[52] **U.S. Cl. D20/43**

[58] **Field of Search D20/43, 44; D25/74; 40/124.1, 584, 489, 490, 491; 248/220.3**

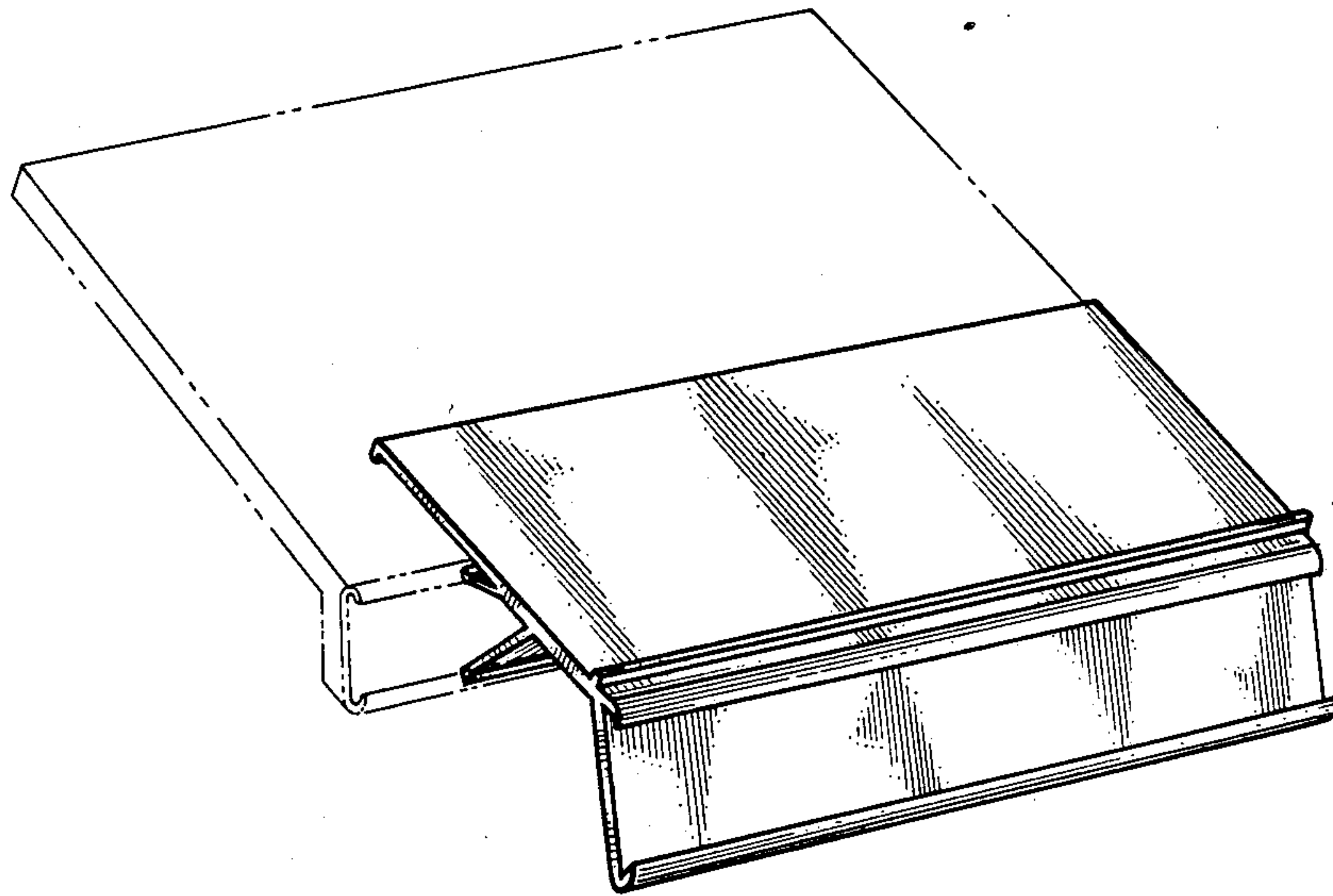
DESCRIPTION

FIG. 1 is a perspective view of a product display shelf extender showing my new design;
FIG. 2 is a front elevational view thereof;
FIG. 3 is a left side elevational view thereof, with the right side view being a mirror-image;
FIG. 4 is a rear elevational view thereof;
FIG. 5 is a top plan view thereof;
FIG. 6 is a bottom plan view thereof.

[56] **References Cited**

U.S. PATENT DOCUMENTS

D. 117,893	12/1939	Bonnell	D20/44
D. 206,853	2/1967	Slaton	D20/44
D. 273,204	3/1984	Baker	D20/44
4,539,766	9/1985	Fast	40/489



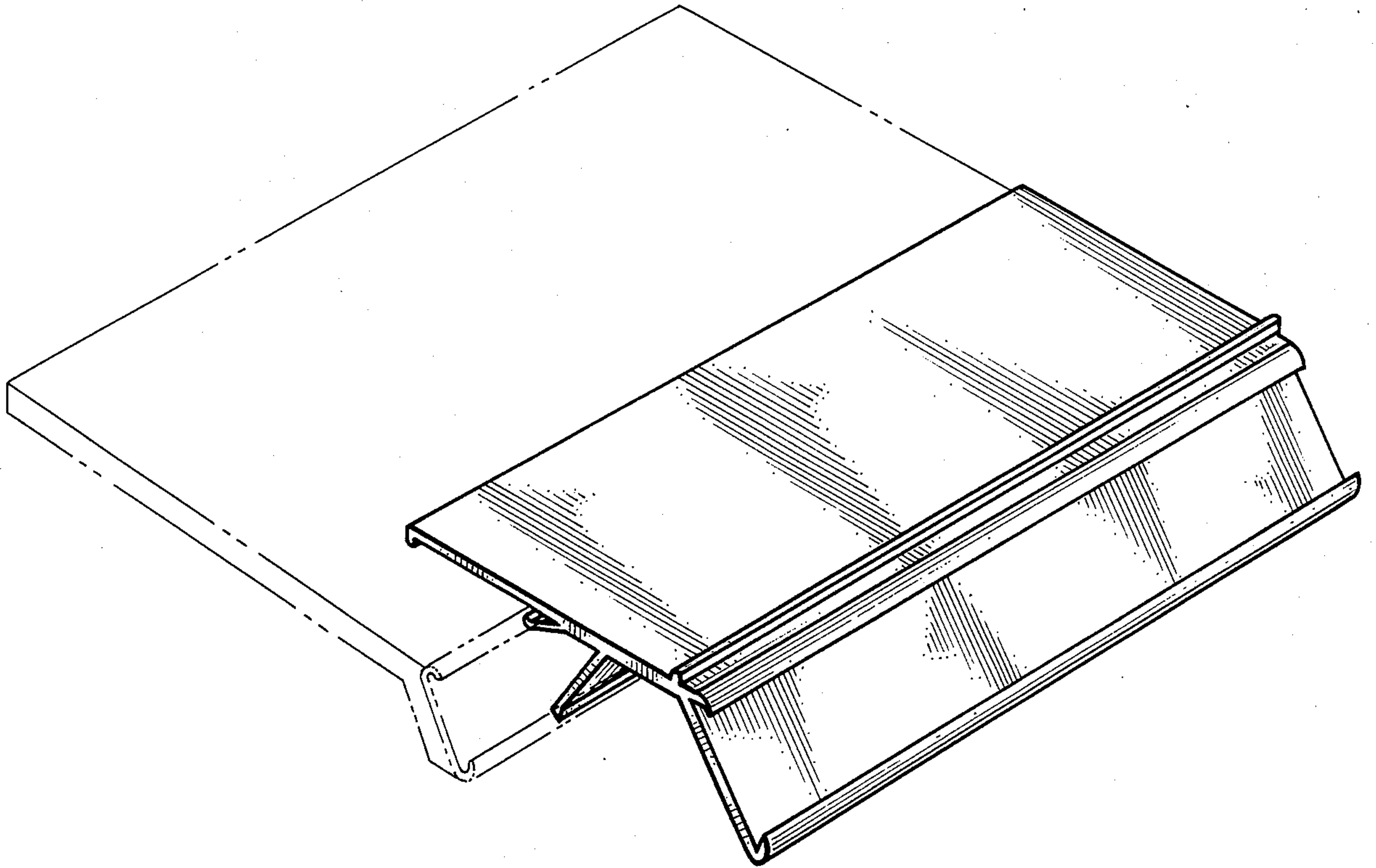


Fig. 1.

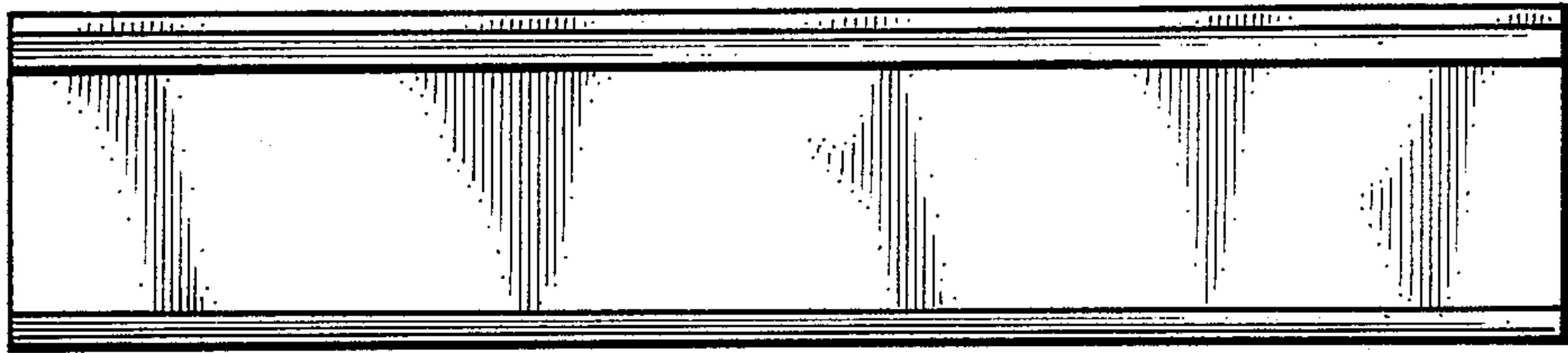


Fig. 2.

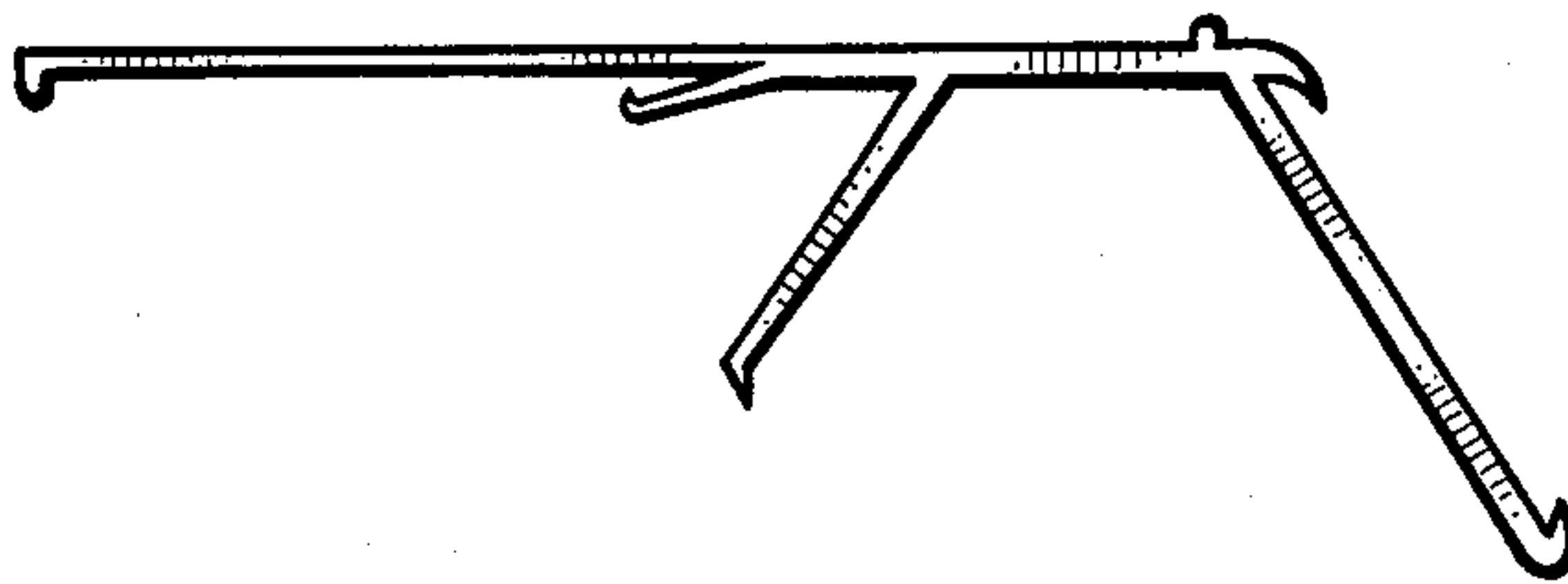


Fig. 3.

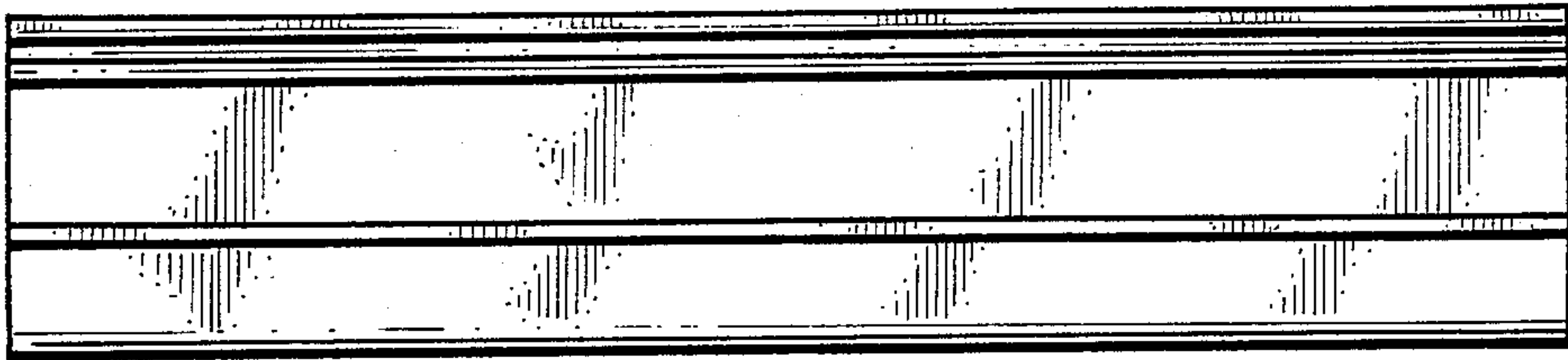


Fig. 4.

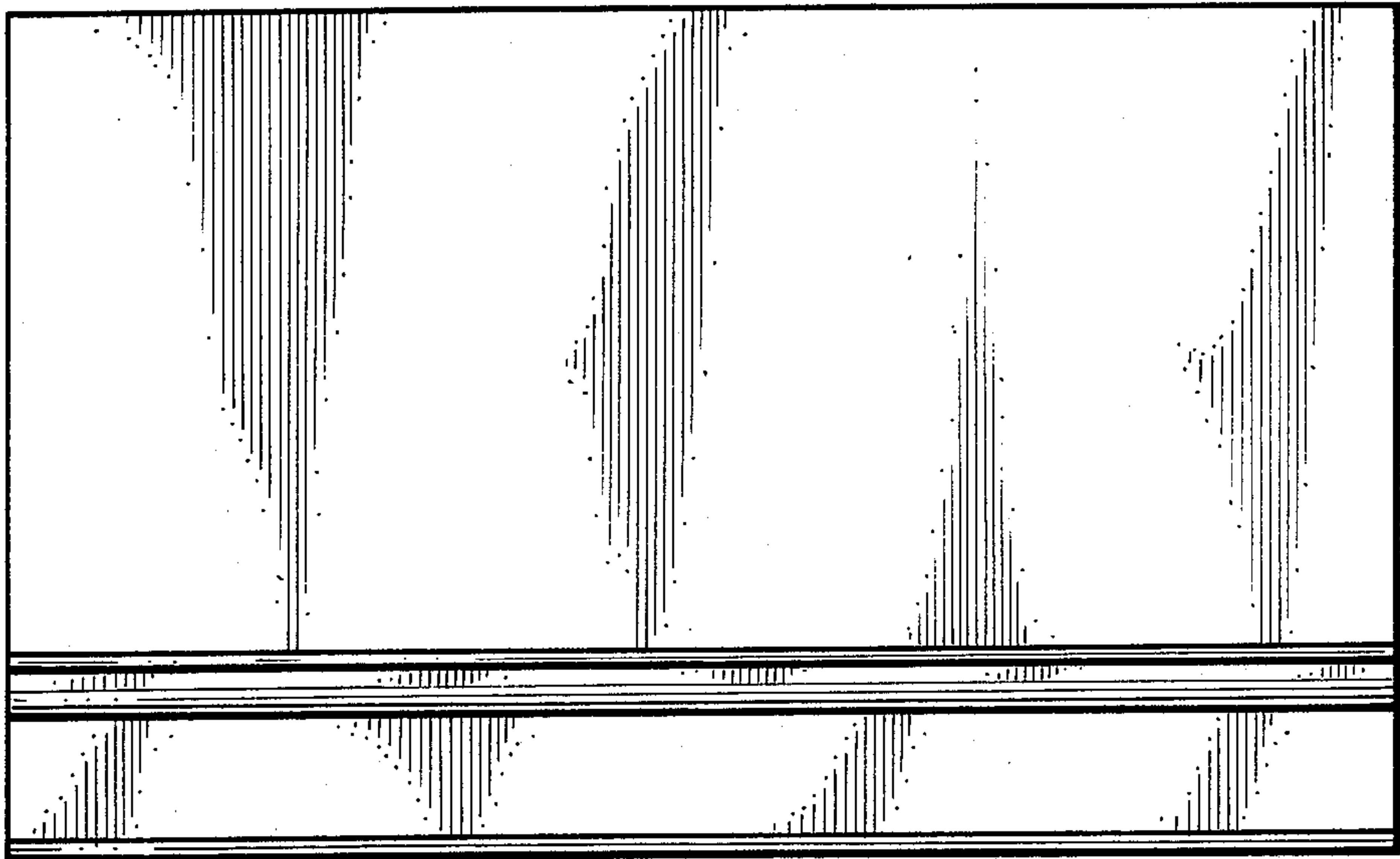


Fig. 5.

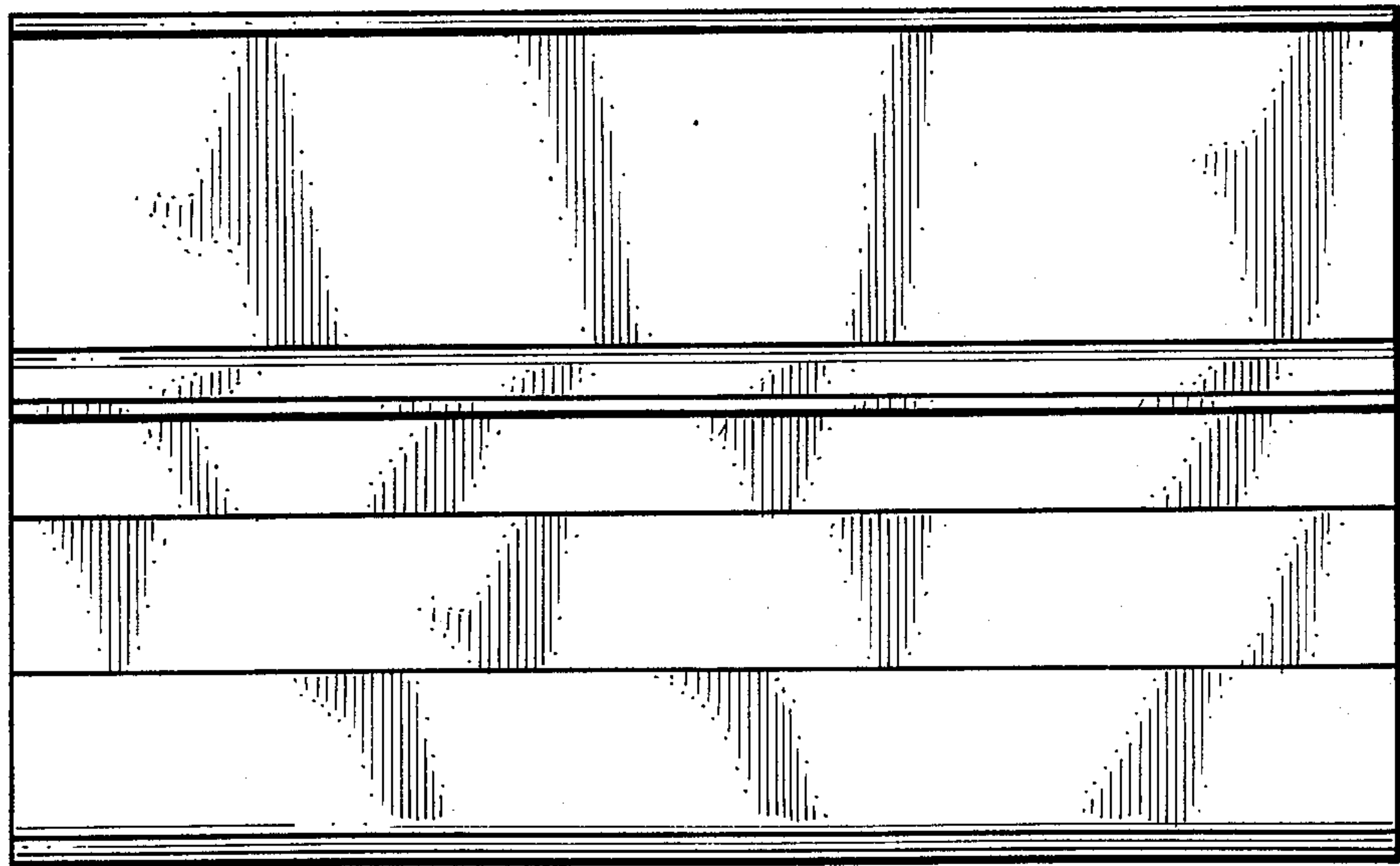


Fig. 6.