

# United States Patent [19]

Greenhut et al.

[11] Patent Number: Des. 306,876

[45] Date of Patent: \*\* Mar. 27, 1990

[54] SPRING CLIP

[76] Inventors: Steven E. Greenhut, 2781 Belgrave Rd., Pepper Pike, Ohio 44124; Sheldon Goodman, 4079 Princeton Blvd., South Euclid, Ohio 44121

[\*\*] Term: 14 Years

[21] Appl. No.: 933,692

[22] Filed: Nov. 21, 1986

[52] U.S. Cl. .... D19/65; D19/86

[58] Field of Search ..... D3/65; D8/395; D19/65, D19/86; 24/10 R, 67 R, 67.3, 67.9, 555, 546-549, 563; 40/666, 667, 658, 659

[56] References Cited

U.S. PATENT DOCUMENTS

- D. 201,111 5/1965 Fleming ..... D19/65
- D. 257,158 9/1980 Olsson ..... D19/65
- D. 275,731 10/1984 Einhorn et al. .... D19/65 X
- D. 292,677 11/1987 Jordi ..... D19/65 X

- 94,334 8/1865 Odell ..... 40/666
- 2,827,719 3/1958 Nairn ..... 24/67 R
- 3,309,052 3/1967 Borisot ..... D8/395
- 3,604,067 9/1971 Brown ..... 24/67 R
- 4,277,864 7/1981 Orson, Sr. .... 24/545

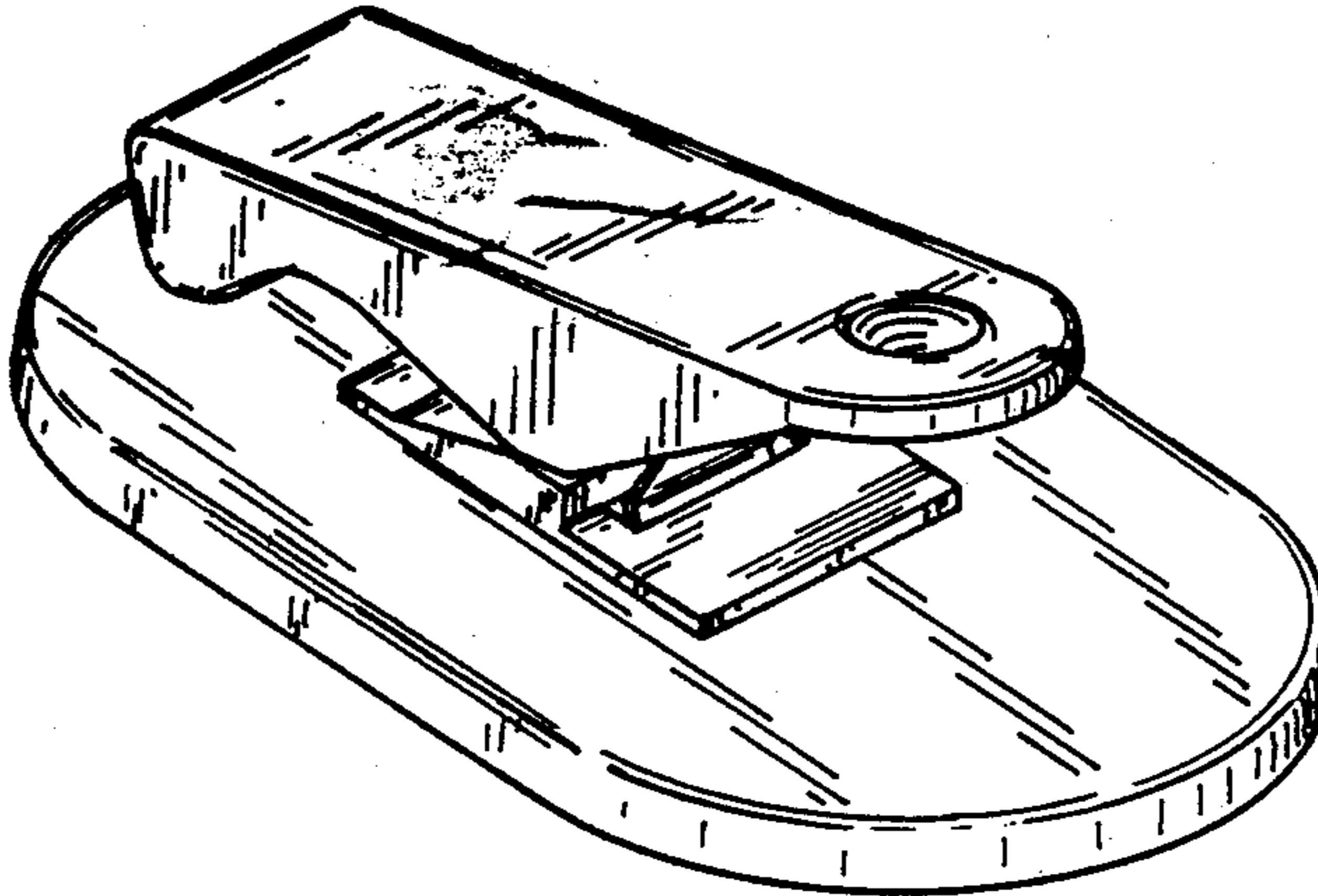
Primary Examiner—Nelson C. Holtje  
Assistant Examiner—Martha Thompson  
Attorney, Agent, or Firm—Pearne, Gordon, McCoy & Granger

[57] CLAIM

The ornamental design for a spring clip, as shown.

DESCRIPTION

FIG. 1 is a front perspective view of a spring clip showing our new design;  
FIG. 2 is a front elevational view;  
FIG. 3 is a rear elevational view;  
FIG. 4 is a left side elevational view;  
FIG. 5 is a right side elevational view;  
FIG. 6 is a top plan view; and  
FIG. 7 is a bottom plan view thereof.



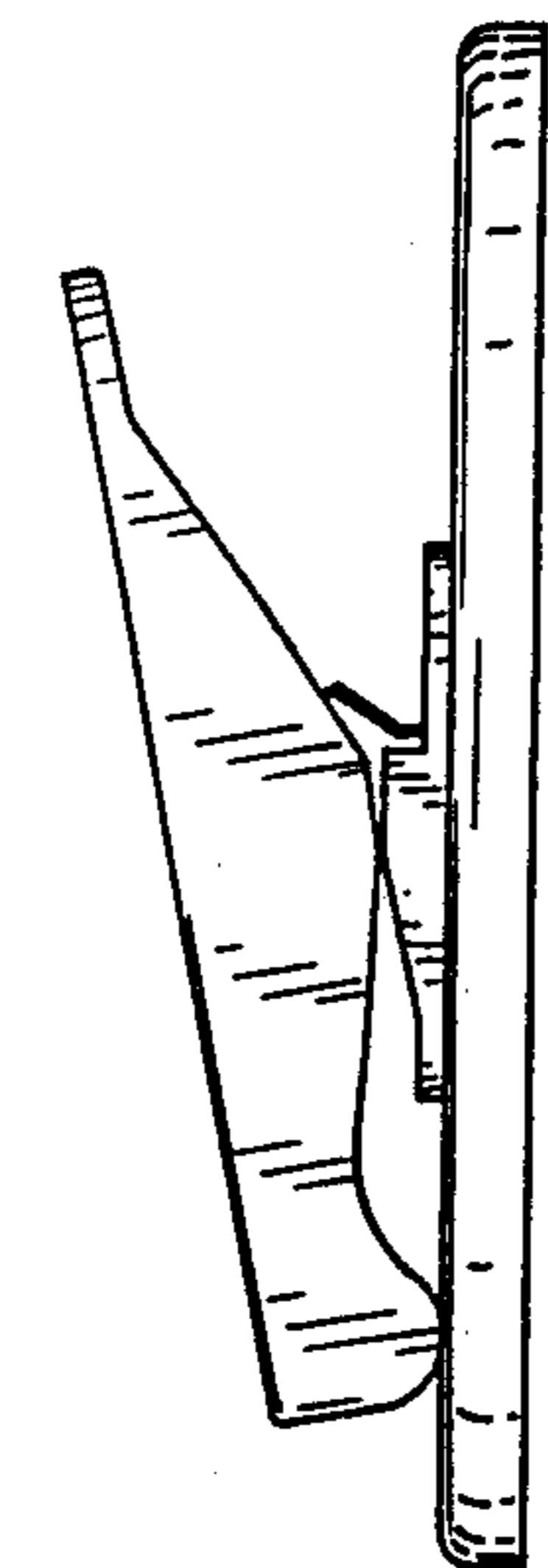


FIG. 2

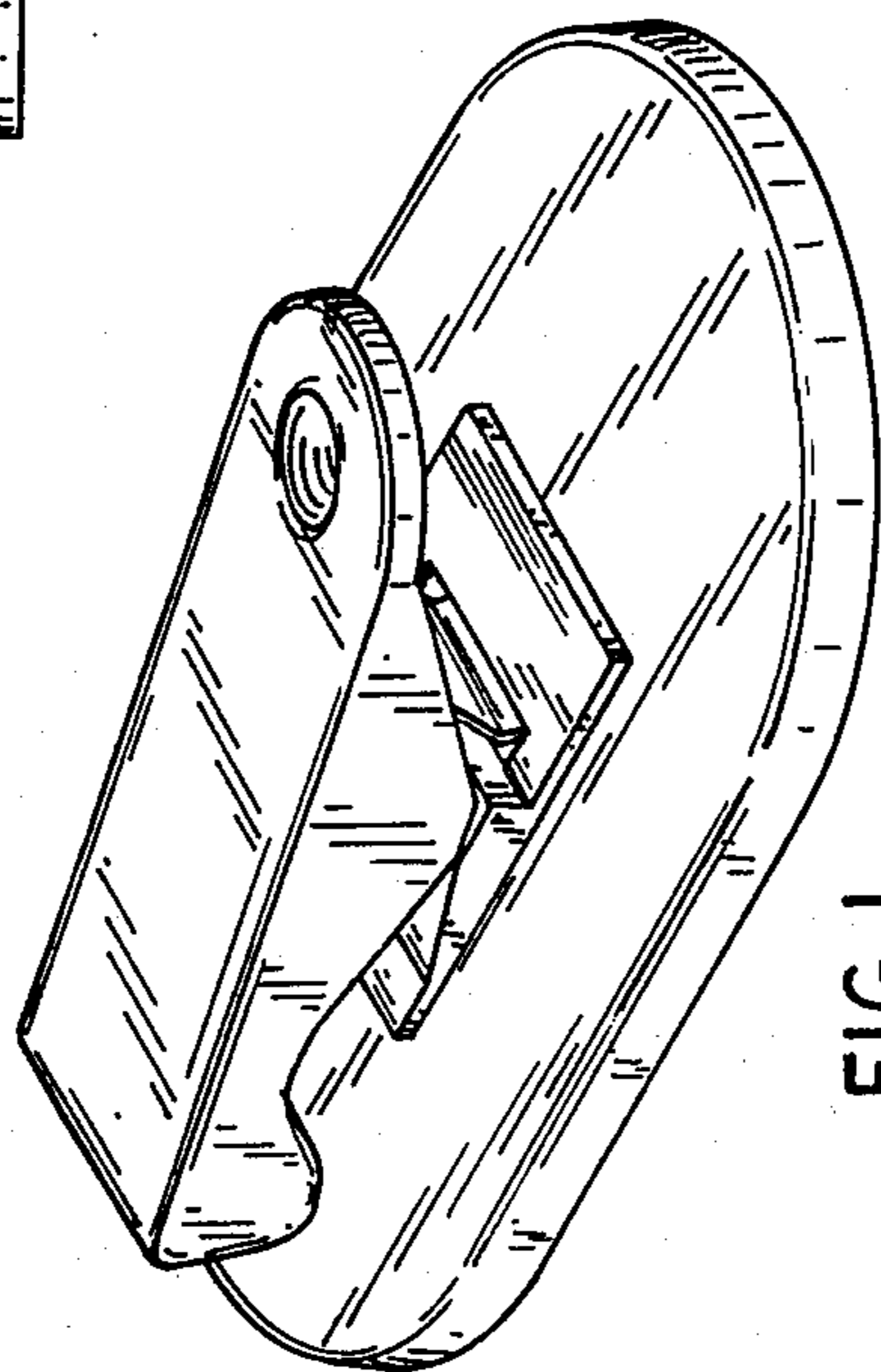


FIG. 1

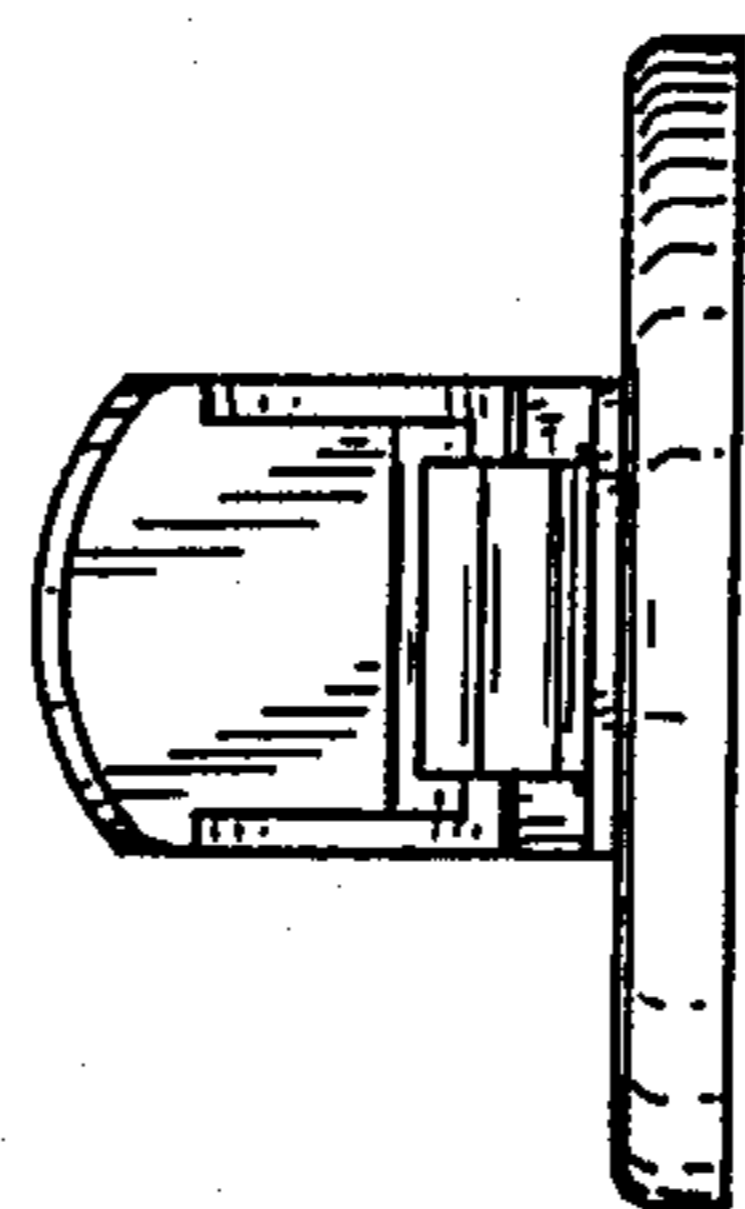


FIG. 4

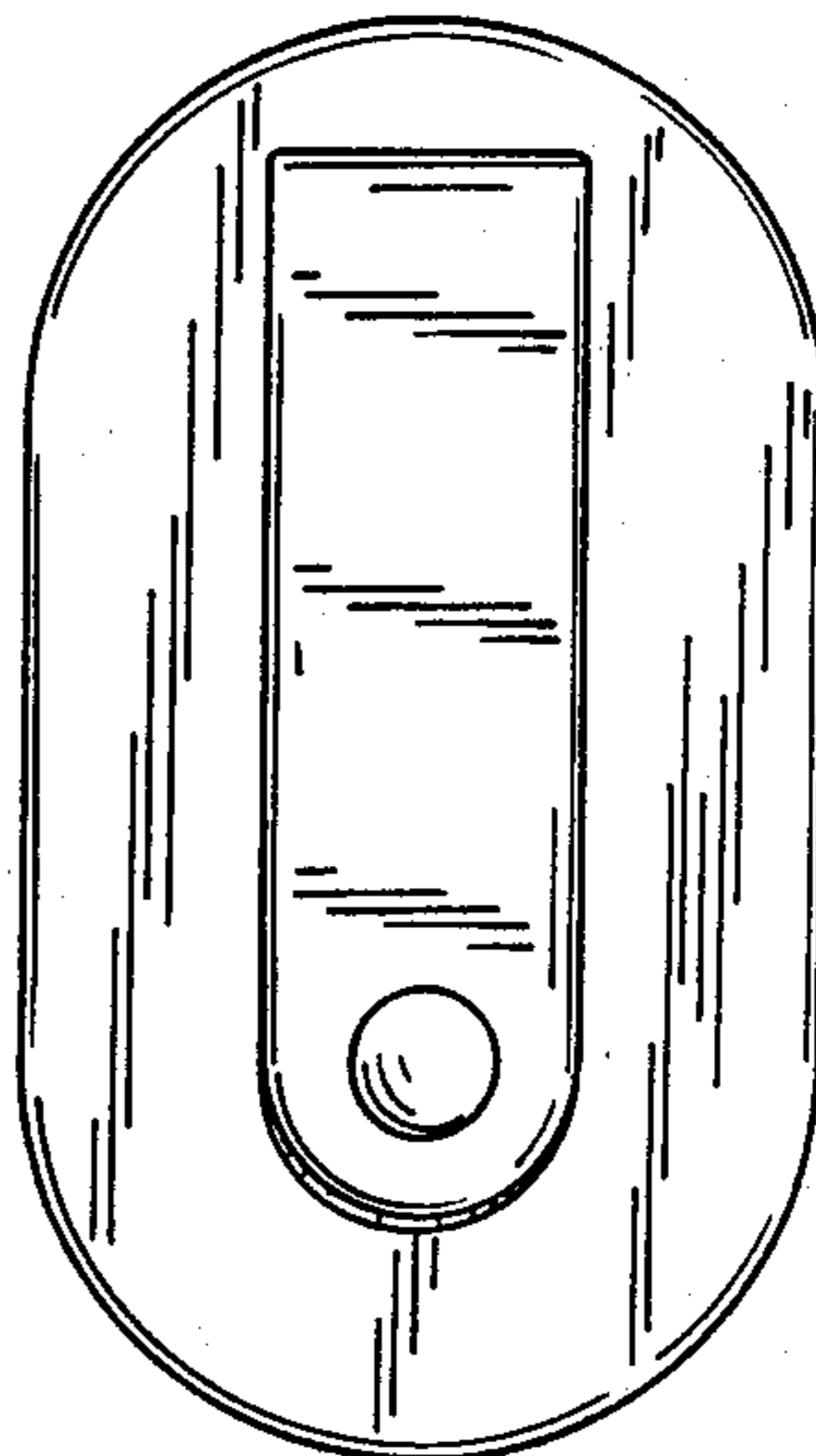


FIG. 6

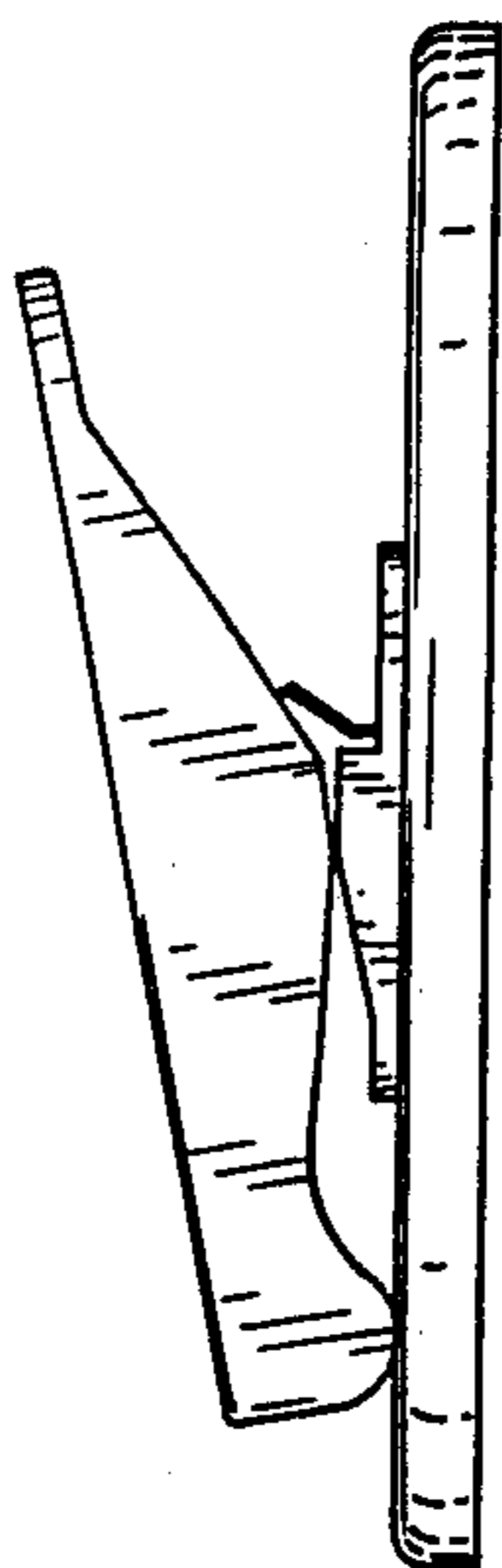


FIG. 3

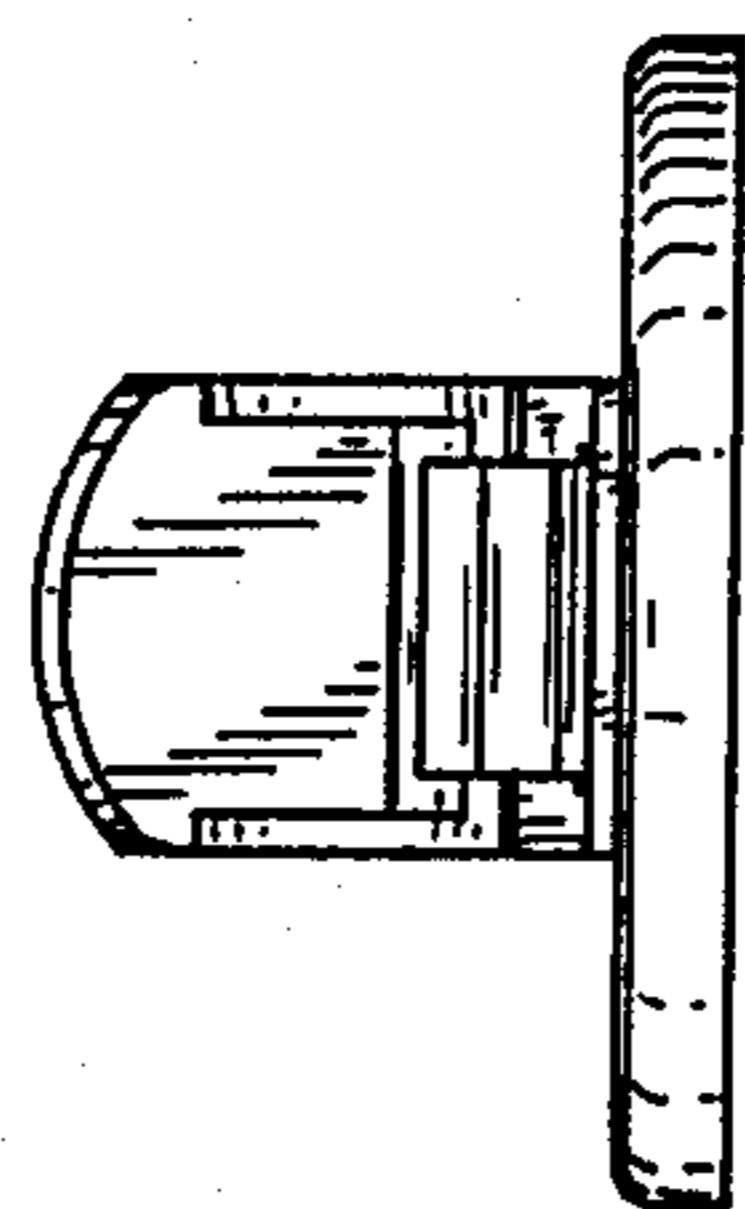


FIG. 5

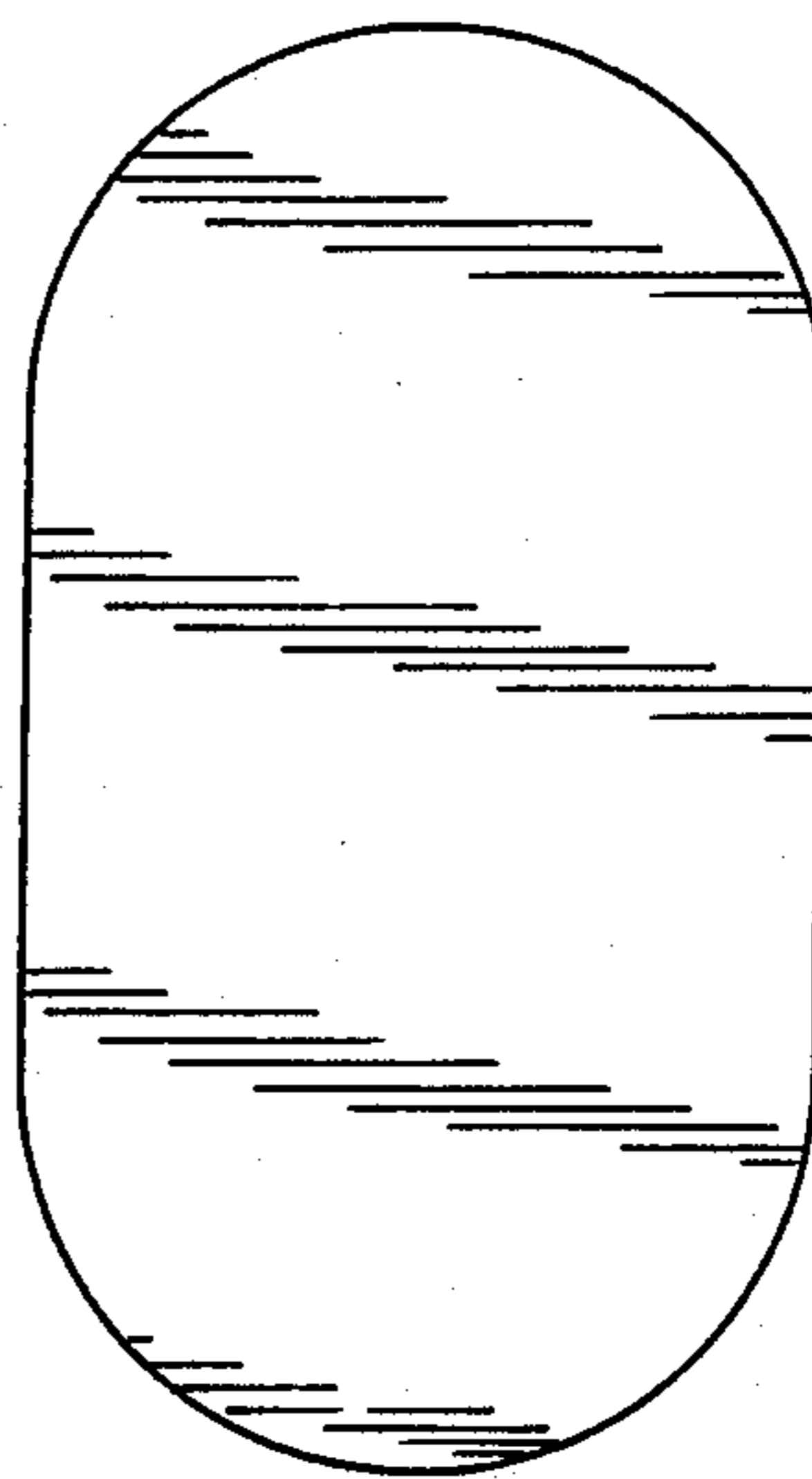


FIG. 7