

[54] **PAIR OF BINOCULARS**

[75] **Inventor: Akio Takahashi, Tokyo, Japan**

[73] **Assignee: Asahi Kogaku Kogyo Kabushiki Kaisha, Tokyo, Japan**

[**] **Term: 14 Years**

[21] **Appl. No.: 294,144**

[22] **Filed: Jan. 6, 1989**

[30] **Foreign Application Priority Data**

Jul. 18, 1988 [JP] Japan 63-28600

[52] **U.S. Cl. D16/133**

[58] **Field of Search D16/133; 350/145, 538, 350/541, 544, 545, 551, 552, 554, 557, 558**

[56] **References Cited**

U.S. PATENT DOCUMENTS

D. 223,298 4/1972 Senda et al. D16/133
2,401,191 5/1946 Rosett 350/538 X

OTHER PUBLICATIONS

Evans Distributors & Jewelers Catalog, ©1988, Binoculars, Item 9, p. 3024.

Primary Examiner—A. Hugo Word
Assistant Examiner—Doris V. Coles
Attorney, Agent, or Firm—Sughrue, Mion, Zinn, Macpeak & Seas

[57] **CLAIM**

The ornamental design for a pair of binoculars, as shown.

DESCRIPTION

FIG. 1 is a front, top, and right side perspective view of a pair of binoculars showing my new design;
FIG. 2 is a rear, bottom, and right side perspective view thereof;
FIG. 3 is a front elevational view thereof;
FIG. 4 is a rear elevational view thereof;
FIG. 5 is a left side elevational view thereof;
FIG. 6 is a right side elevational view thereof;
FIG. 7 is a top plan view thereof; and
FIG. 8 is a bottom plan view thereof.

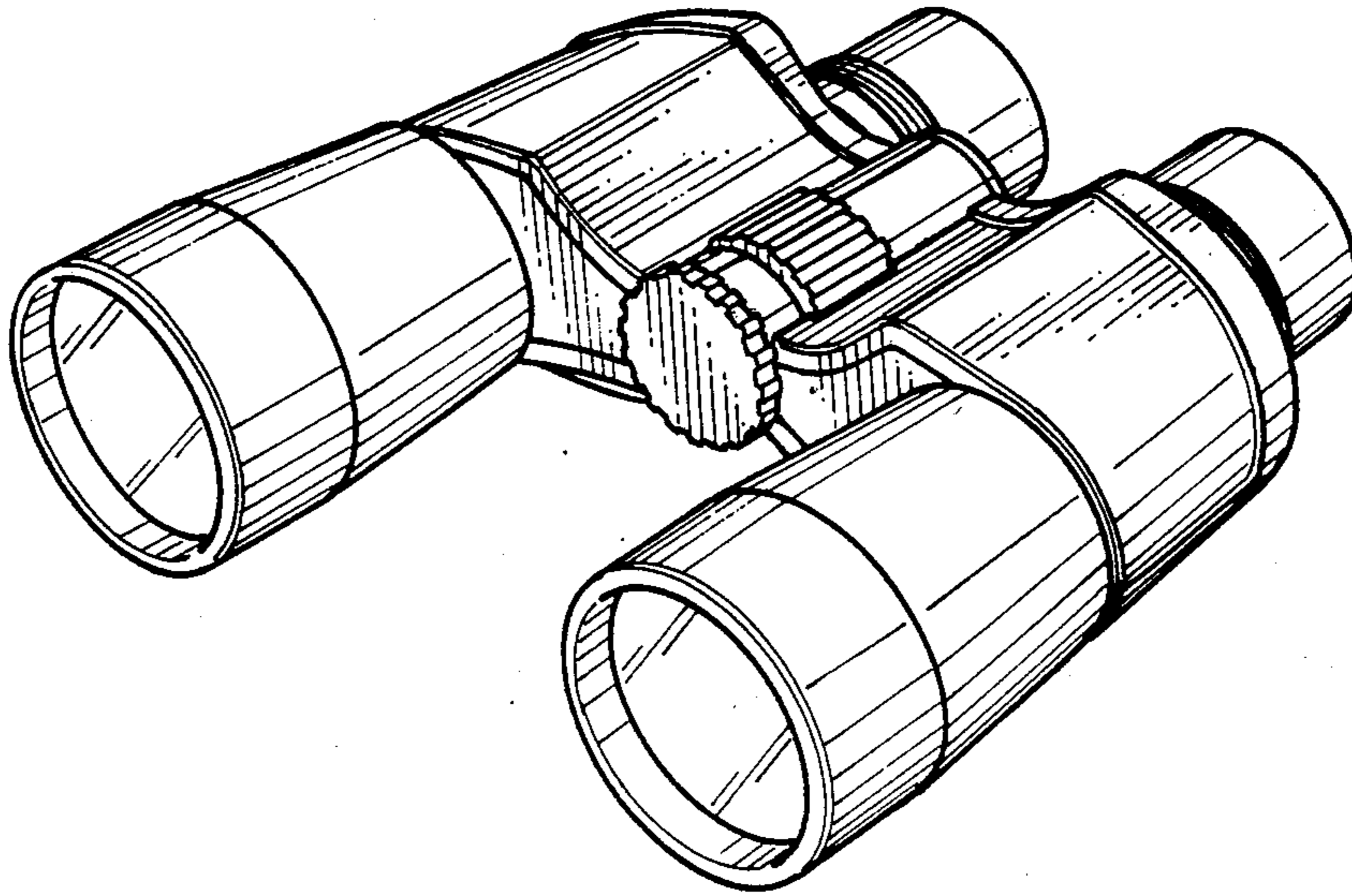


Fig. 1

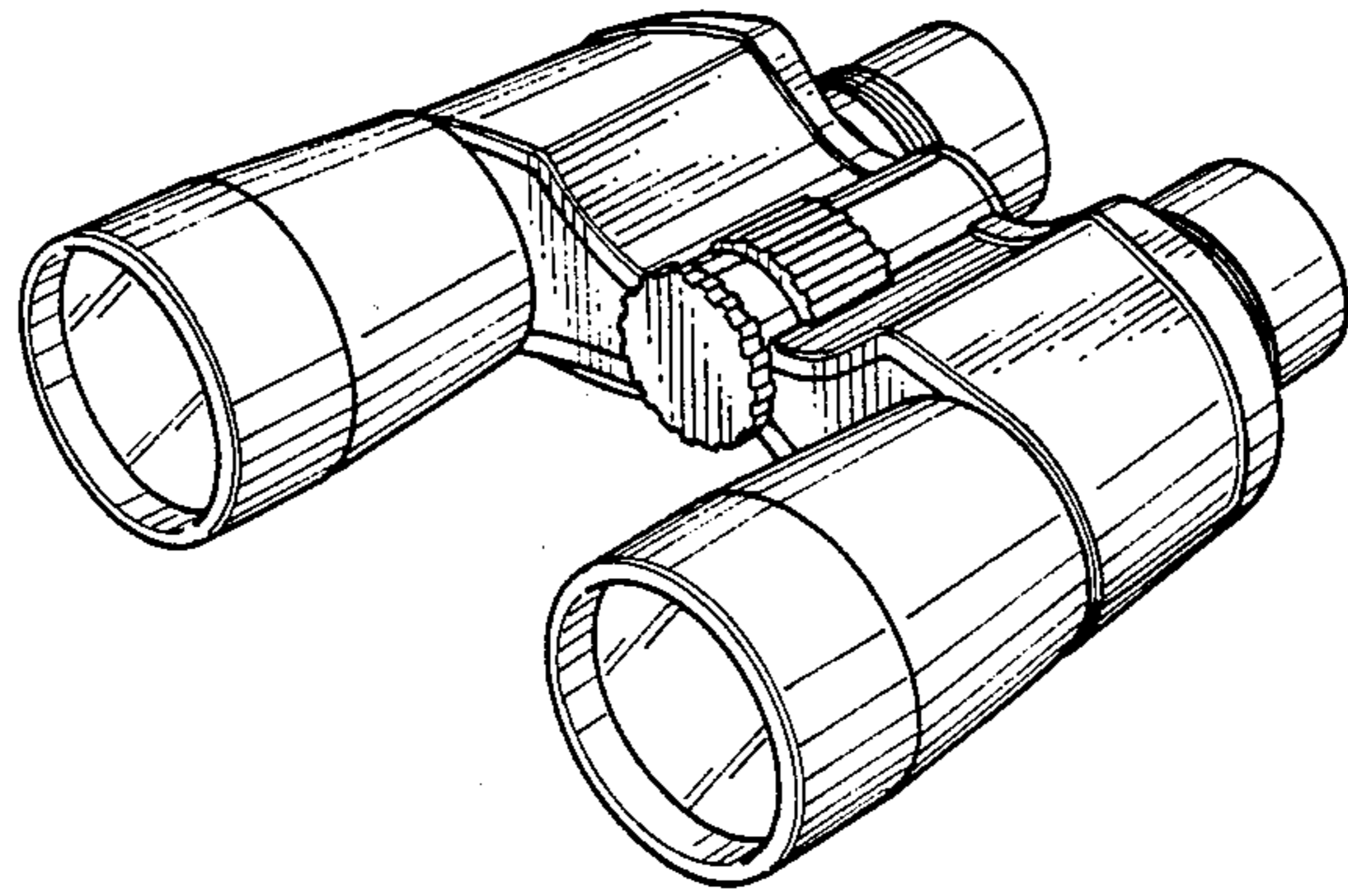


Fig. 2

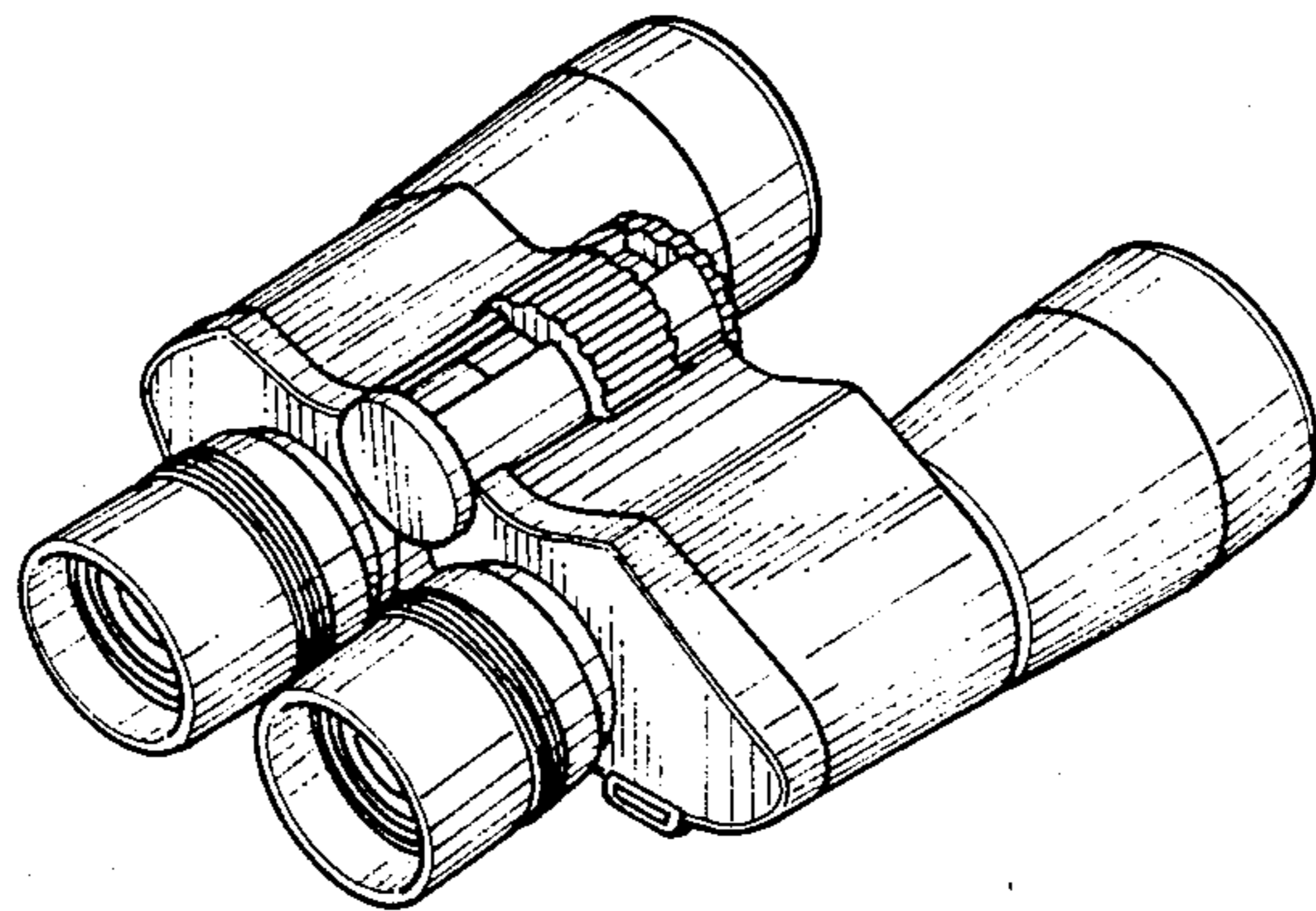


Fig. 3

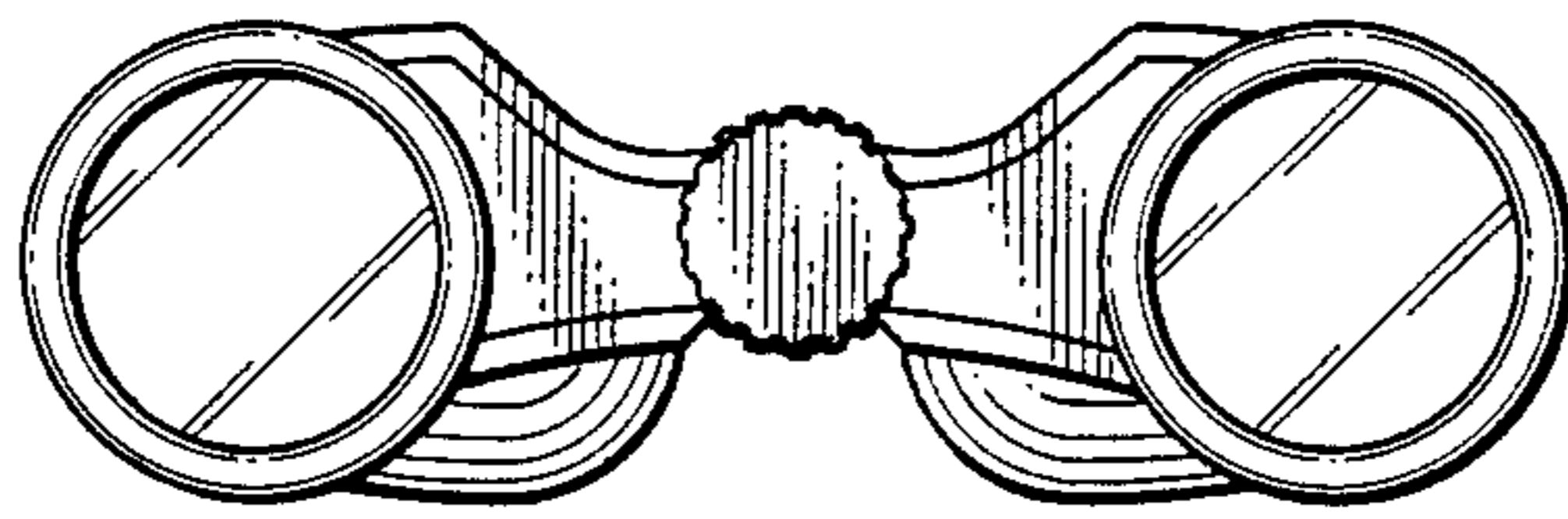


Fig. 4

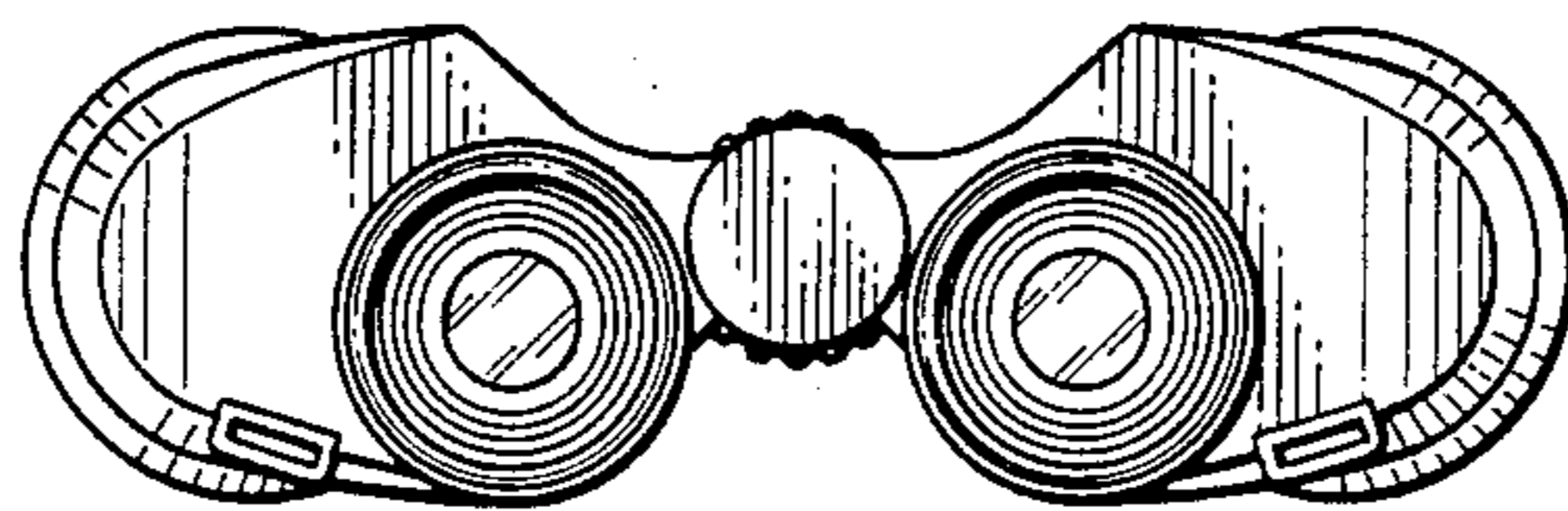


Fig. 5

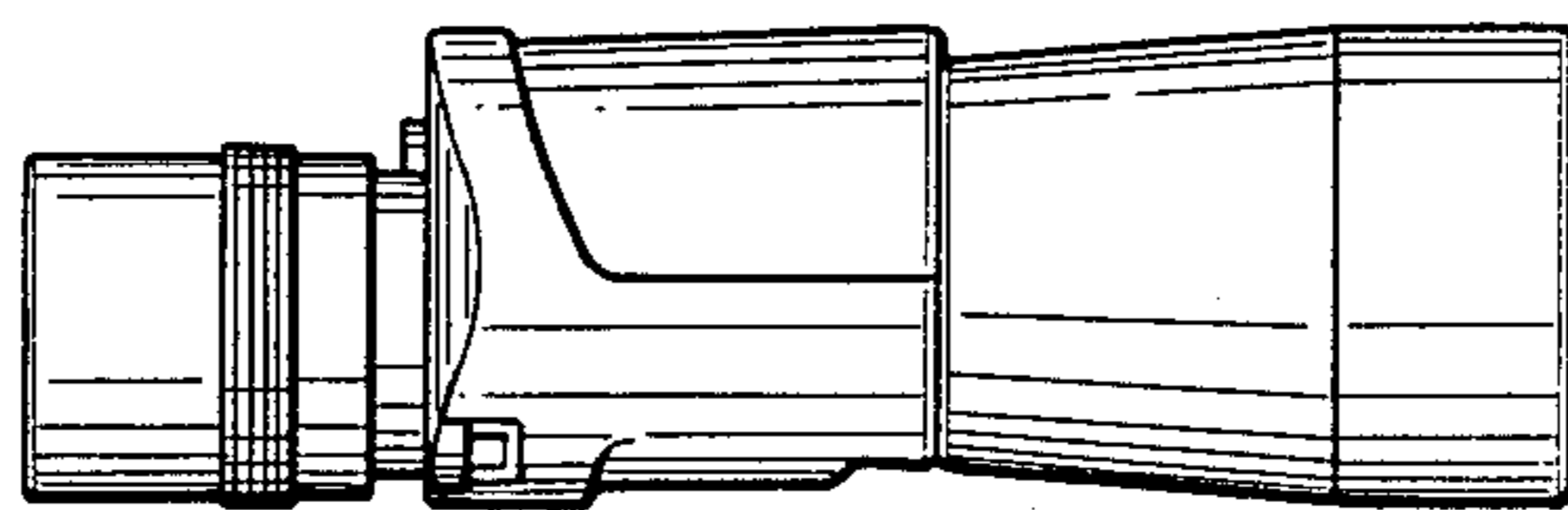


Fig. 6

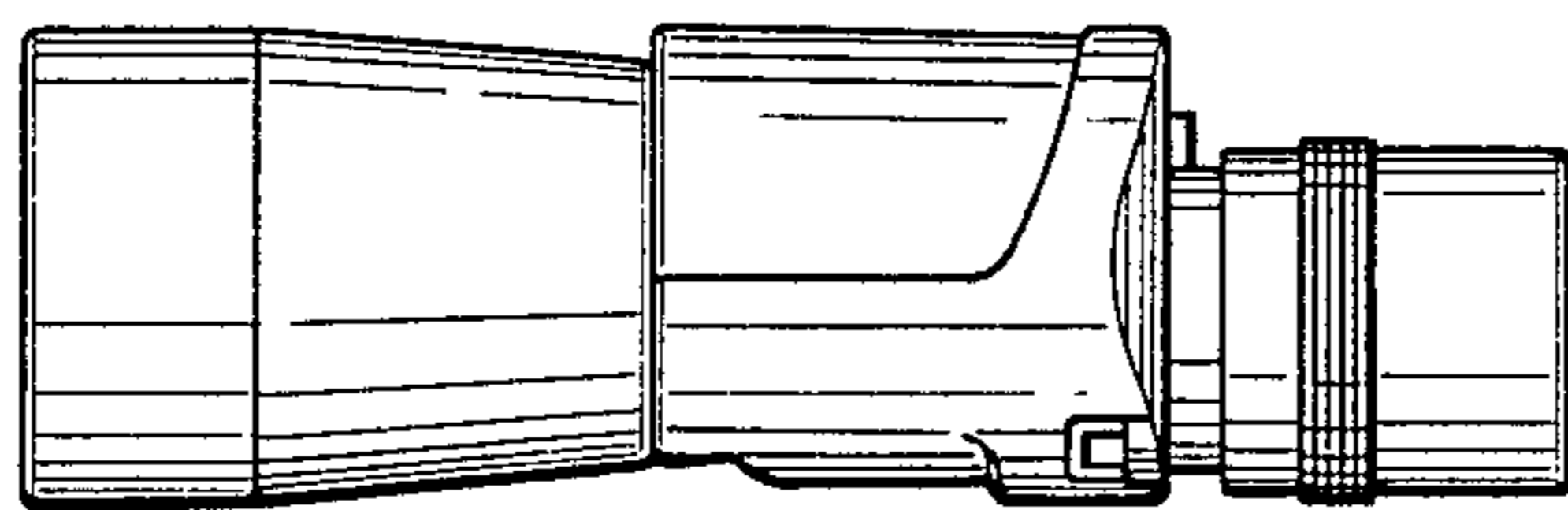


Fig. 7

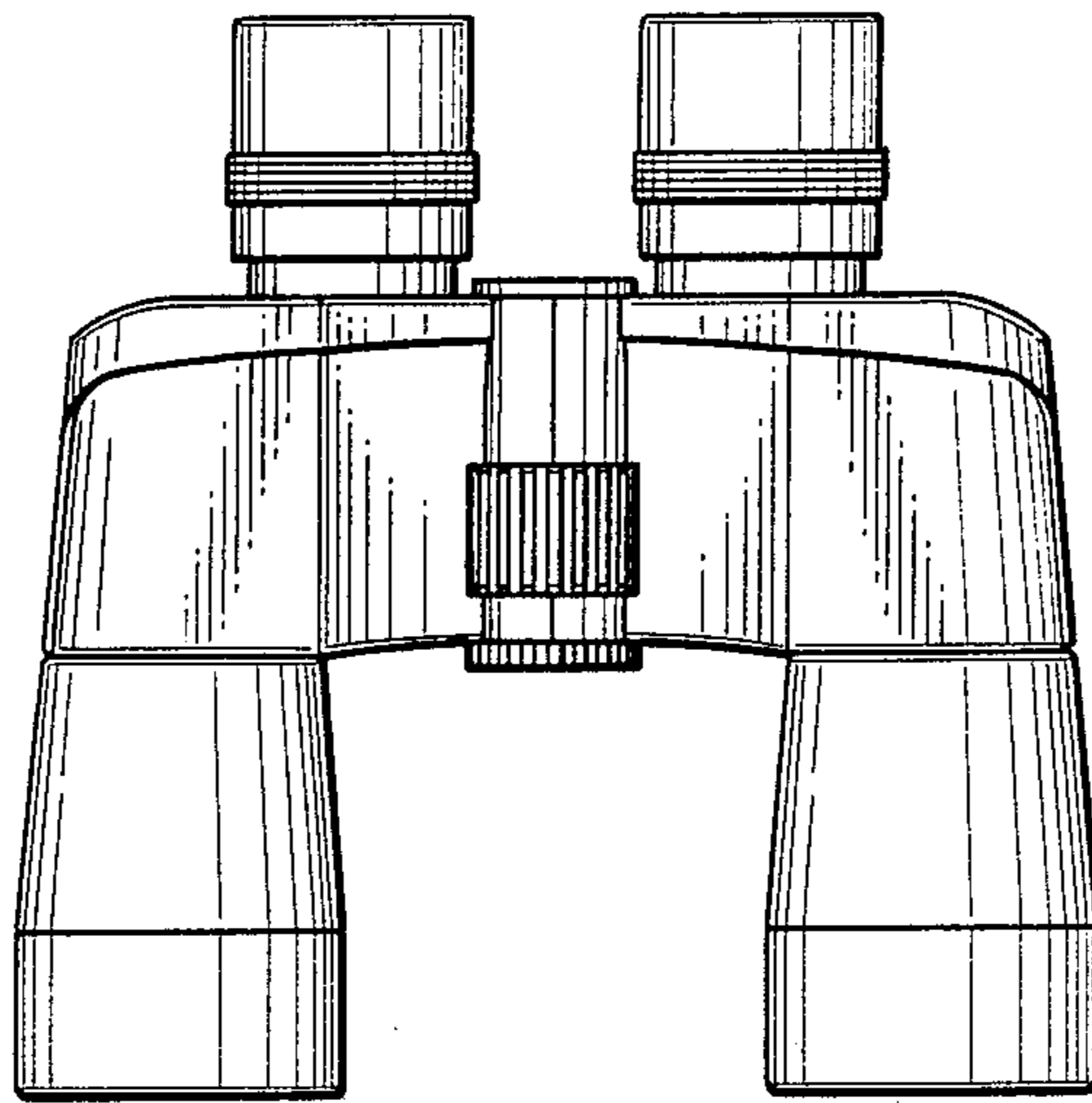


Fig. 8

