

[54] EYEGLASSES HOLDER

[76] Inventor: Roger A. Manuel, 4610 Shatner, Houston, Tex. 77066

[**] Term: 14 Years

[21] Appl. No.: 14,916

[22] Filed: Feb. 13, 1987

[52] U.S. Cl. D16/129

[58] Field of Search D16/129; 351/155-158; 248/309.1, 312, 316.8, 902; 211/13, 89; 24/3 F

[56] References Cited

U.S. PATENT DOCUMENTS

2,616,647	11/1952	Murchison	248/312
2,767,854	10/1956	Barrett	211/13
2,884,220	4/1959	Manley	248/309.1
2,949,683	8/1960	Glover	248/309.1
3,377,042	4/1968	Breeding et al.	211/89
4,011,953	3/1977	Engelman	248/902

FOREIGN PATENT DOCUMENTS

451549	10/1948	Canada	248/312
3522759	3/1987	Fed. Rep. of Germany	248/309.1

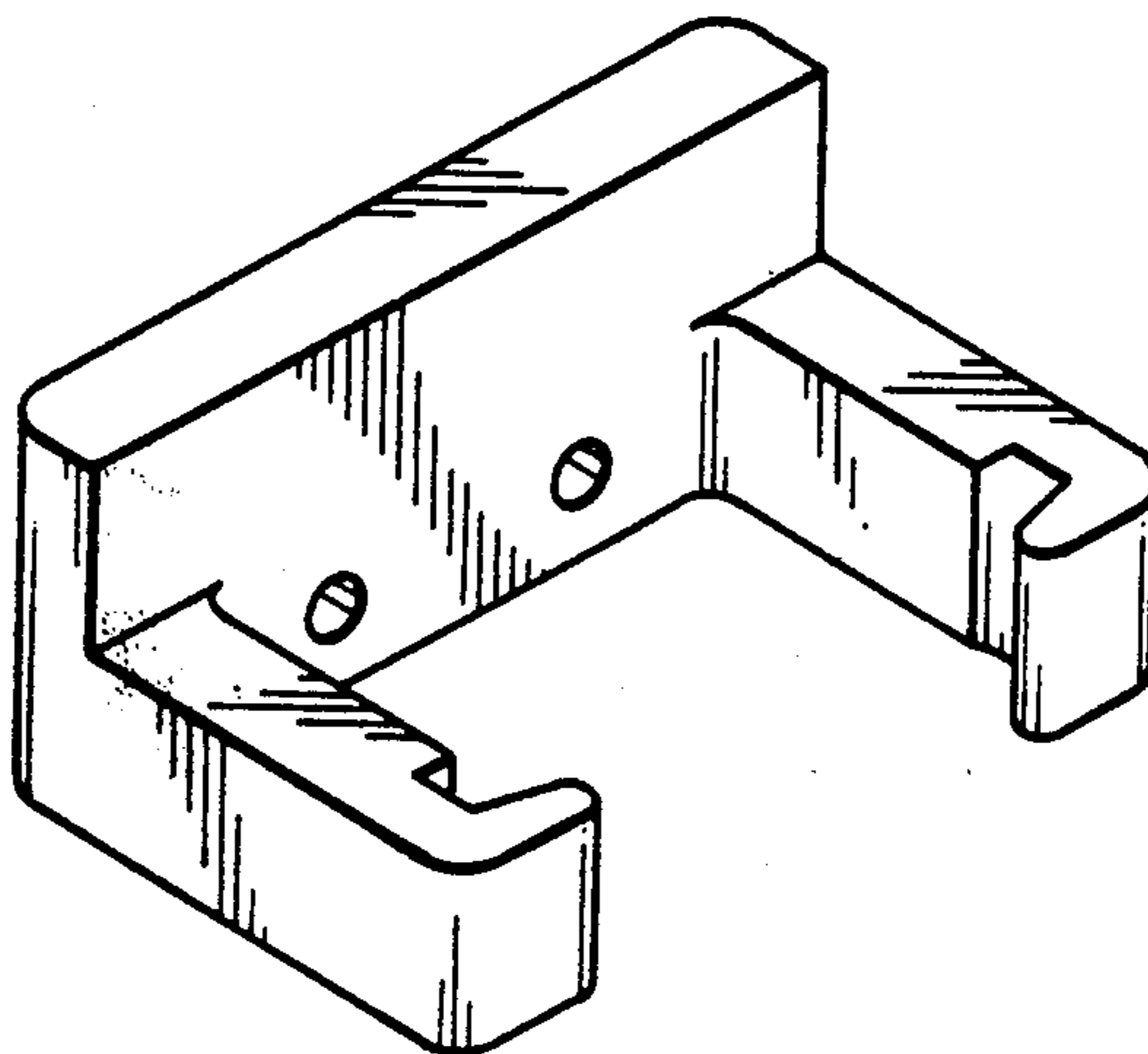
Primary Examiner—Nelson C. Holtje
Assistant Examiner—Clare E. Heflin
Attorney, Agent, or Firm—B. R. Pravel

[57] CLAIM

The ornamental design for an eyeglasses holder, as shown and described.

DESCRIPTION

FIG. 1 is a top, front perspective view of the eyeglasses holder showing my new design; FIG. 2 is a bottom, rear perspective view thereof; FIG. 3 is a front elevational view thereof; FIG. 4 is a side elevational view thereof; FIG. 5 is a rear elevational view thereof; FIG. 6 is a top plan view thereof; FIG. 7 is an enlarged, fragmentary cross-sectional view thereof, taken along the line 7—7 in FIG. 6; and FIG. 8 is a reduced perspective view thereof showing a pair of eyeglasses in broken lines for illustrative purposes only.



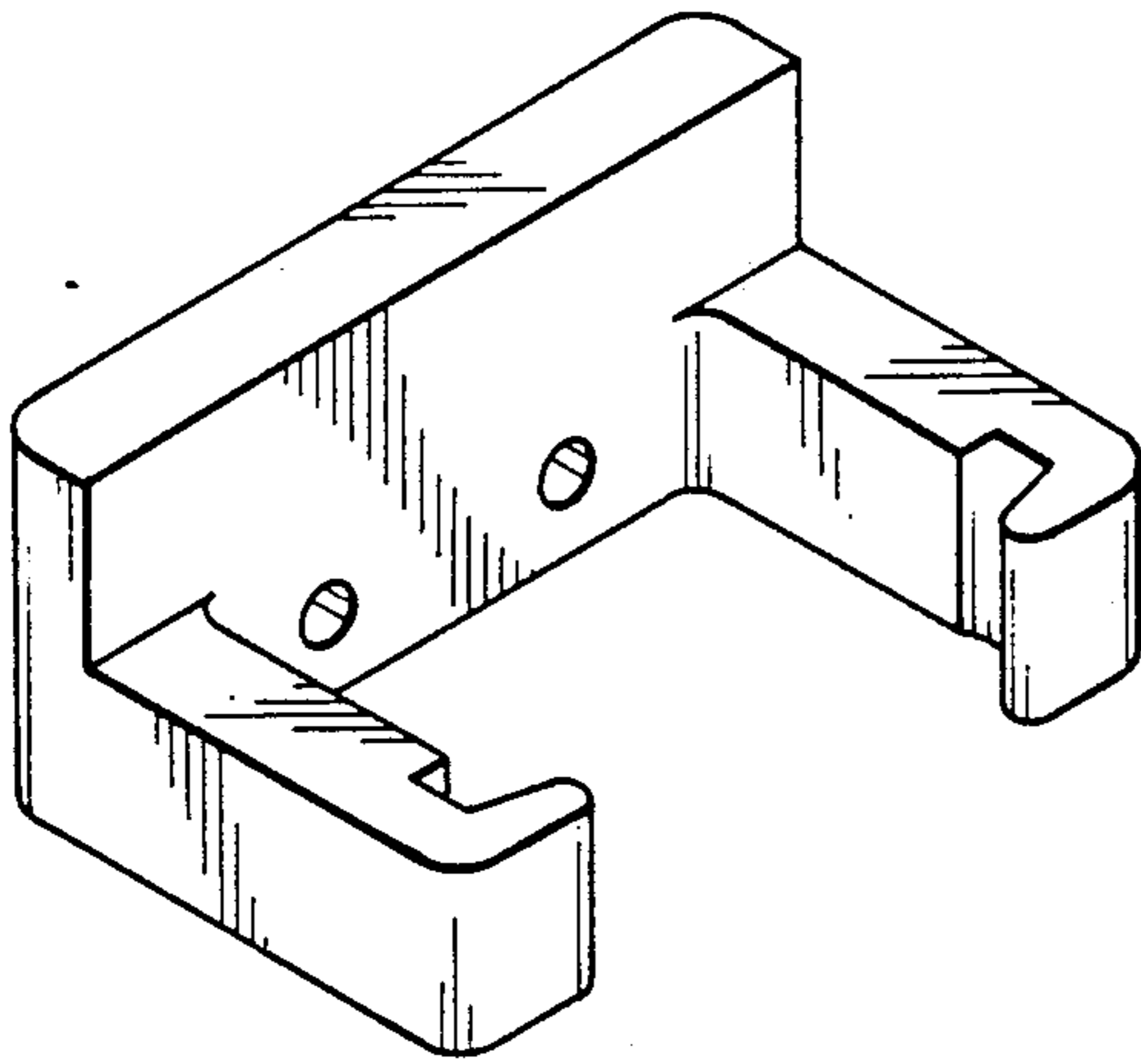


FIG. 1

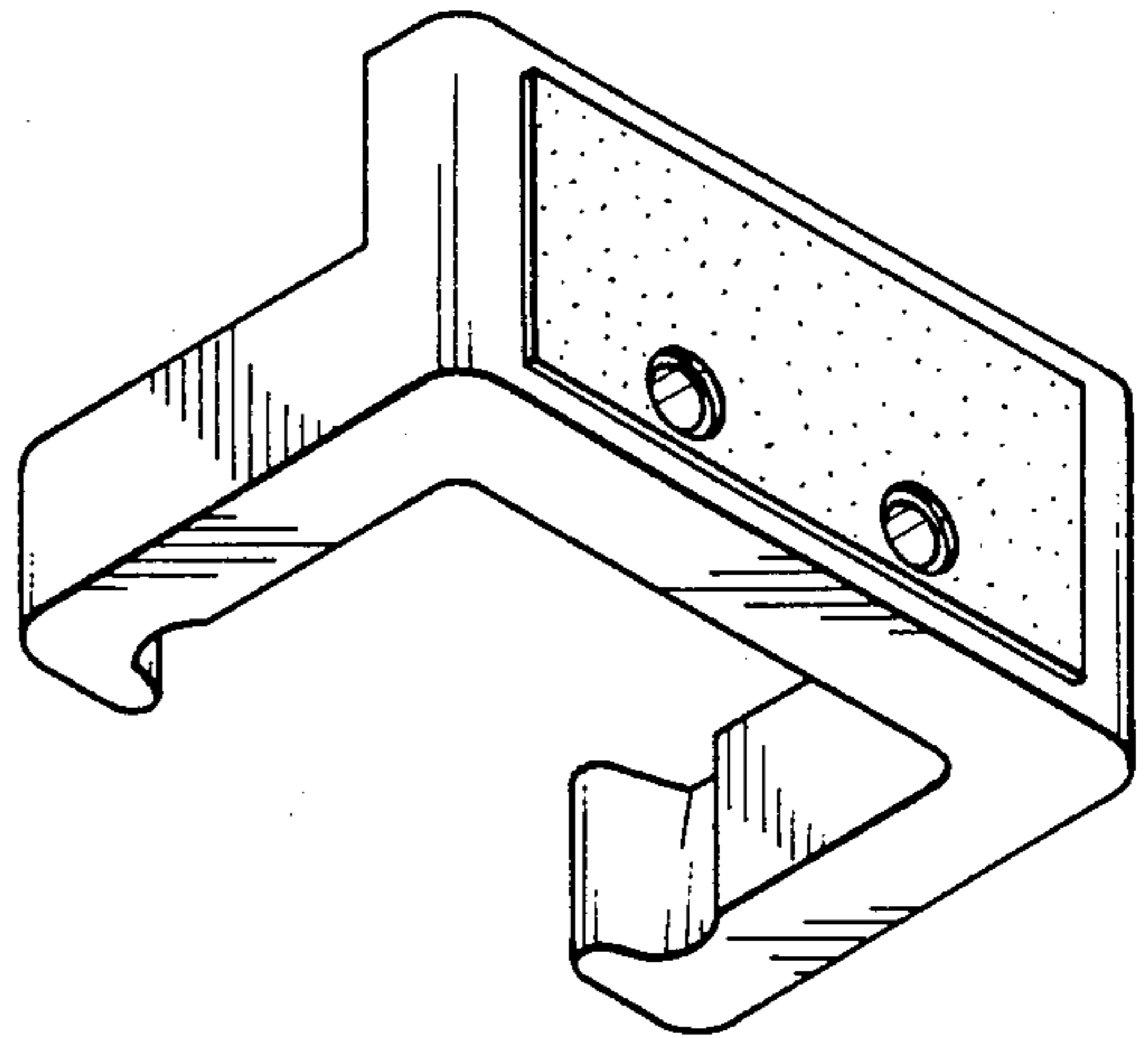


FIG. 2

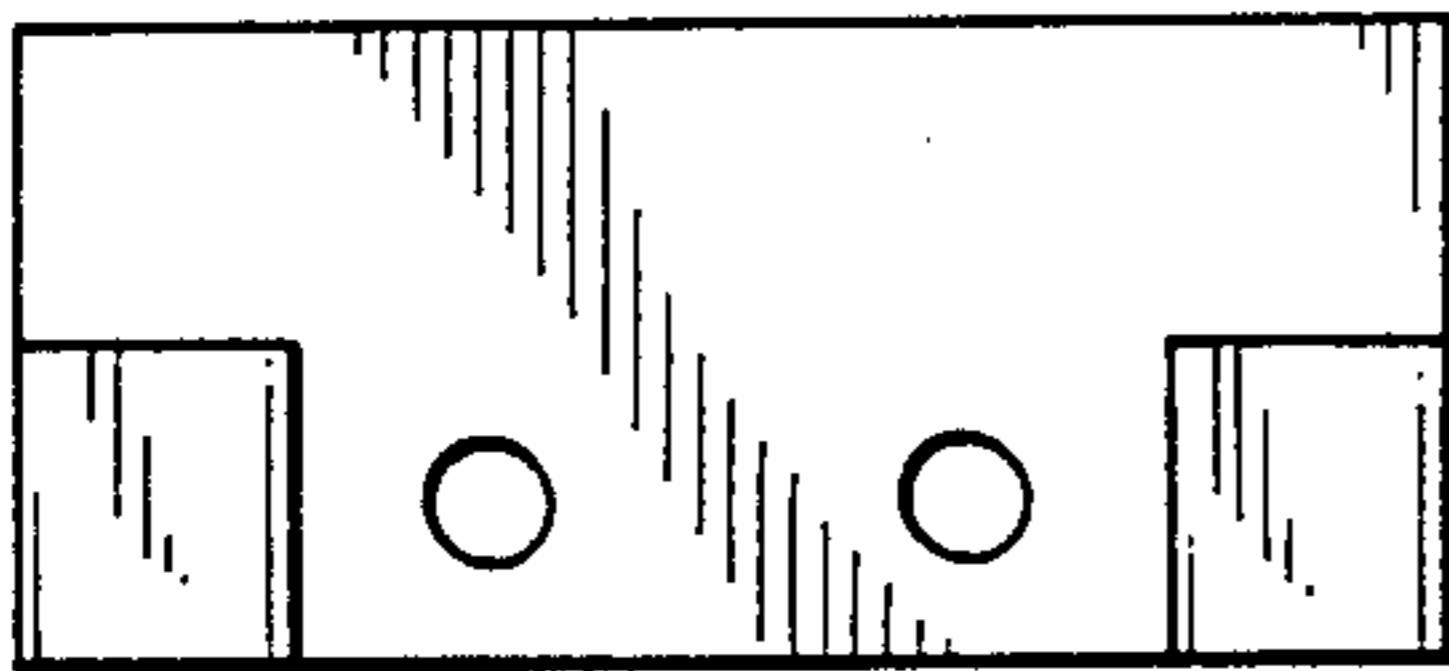


FIG. 3

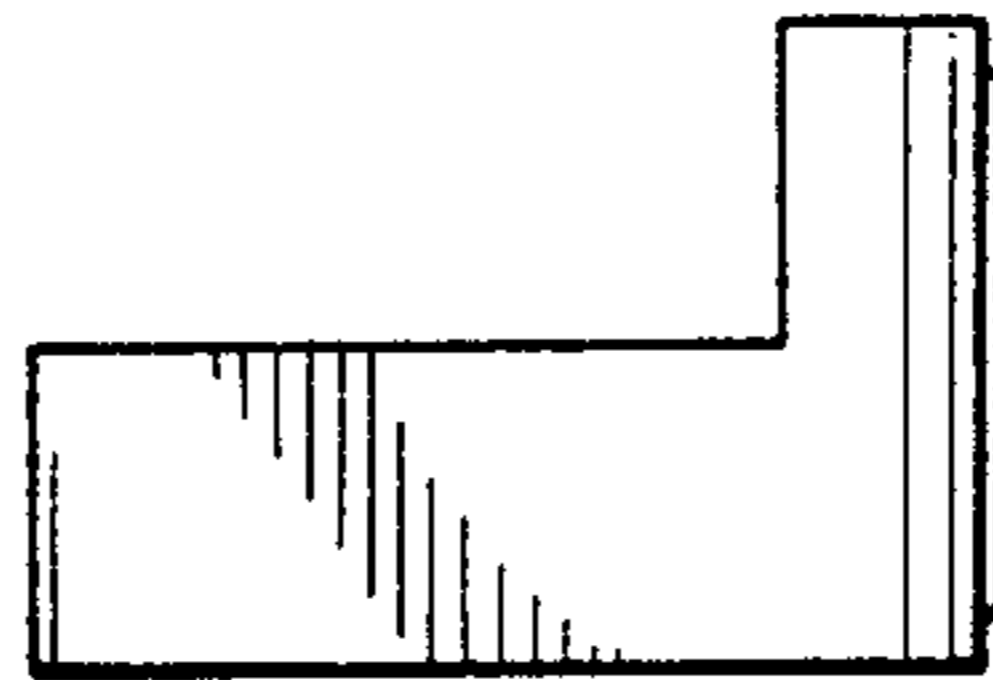


FIG. 4

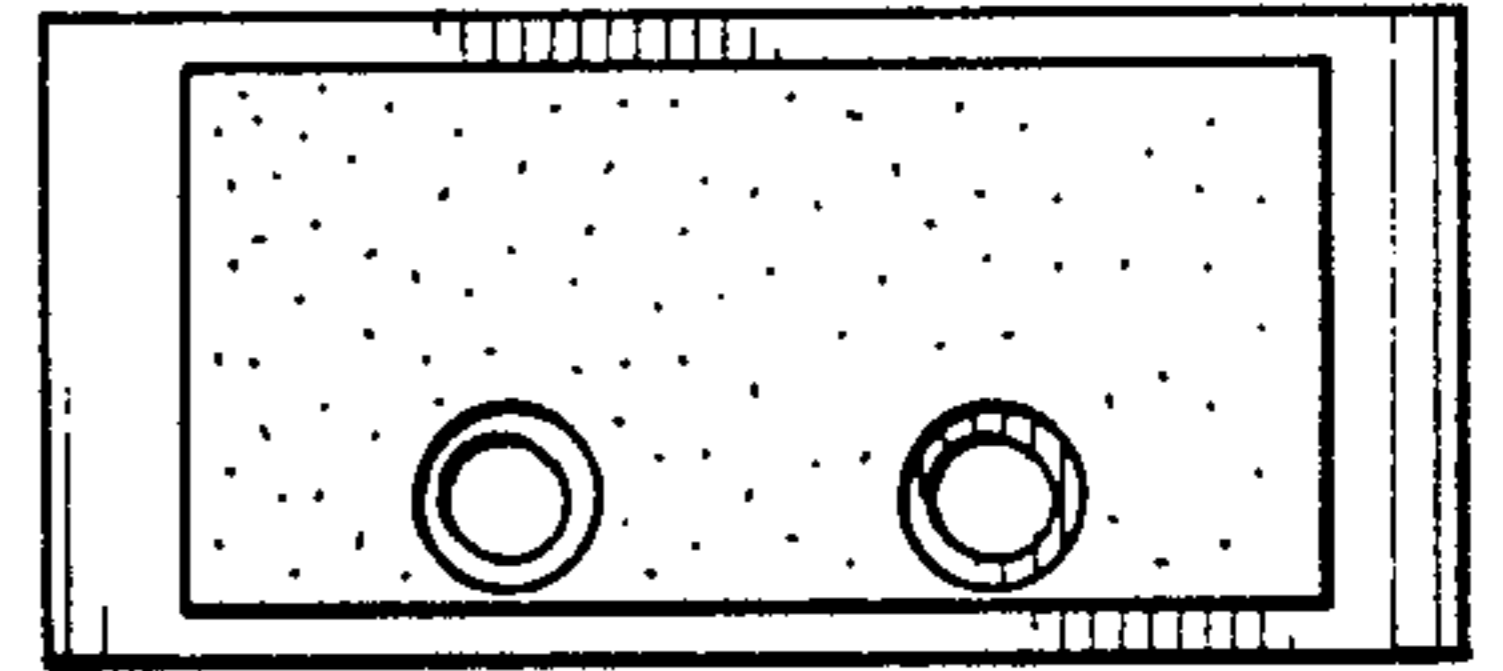


FIG. 5

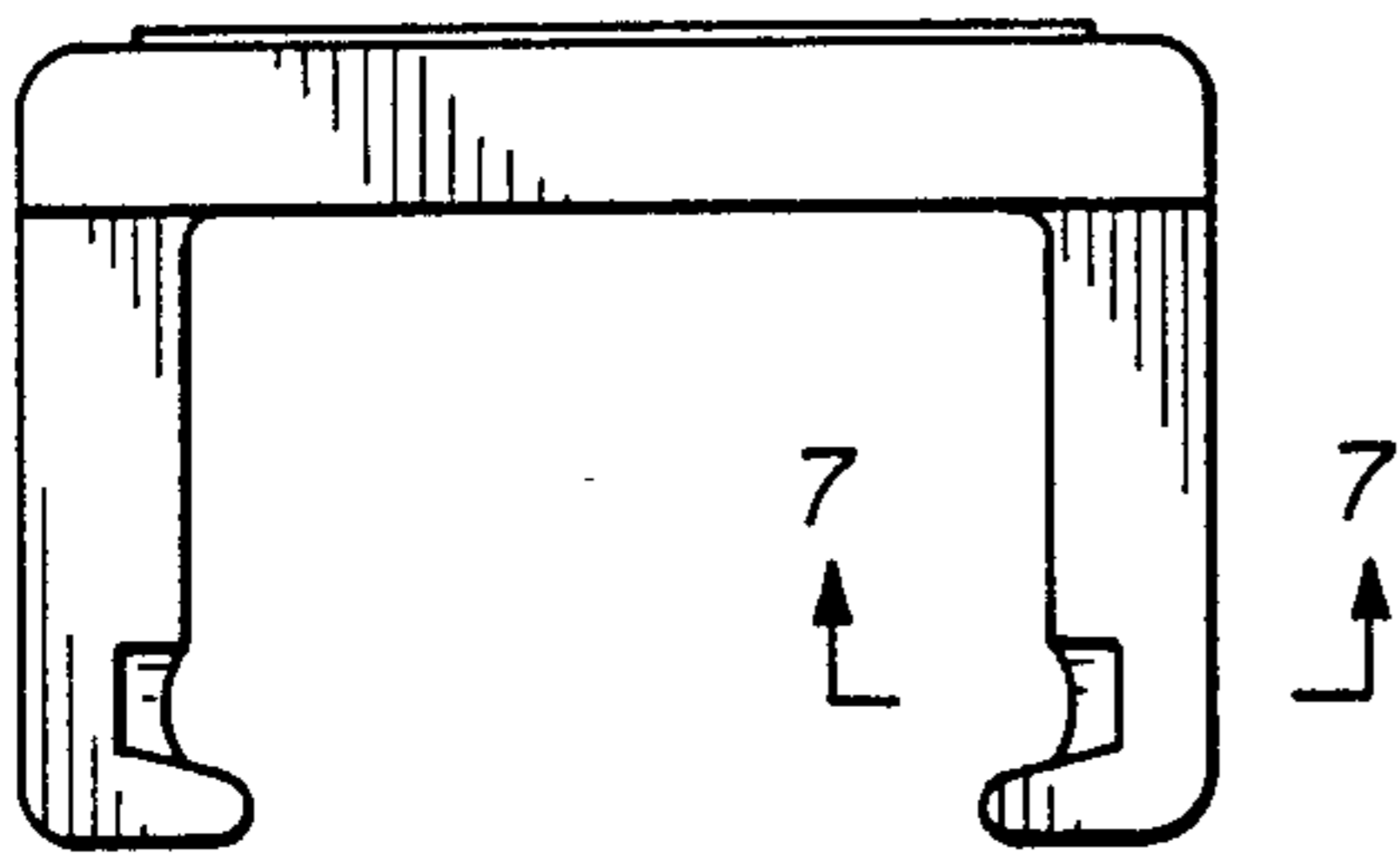


FIG. 6

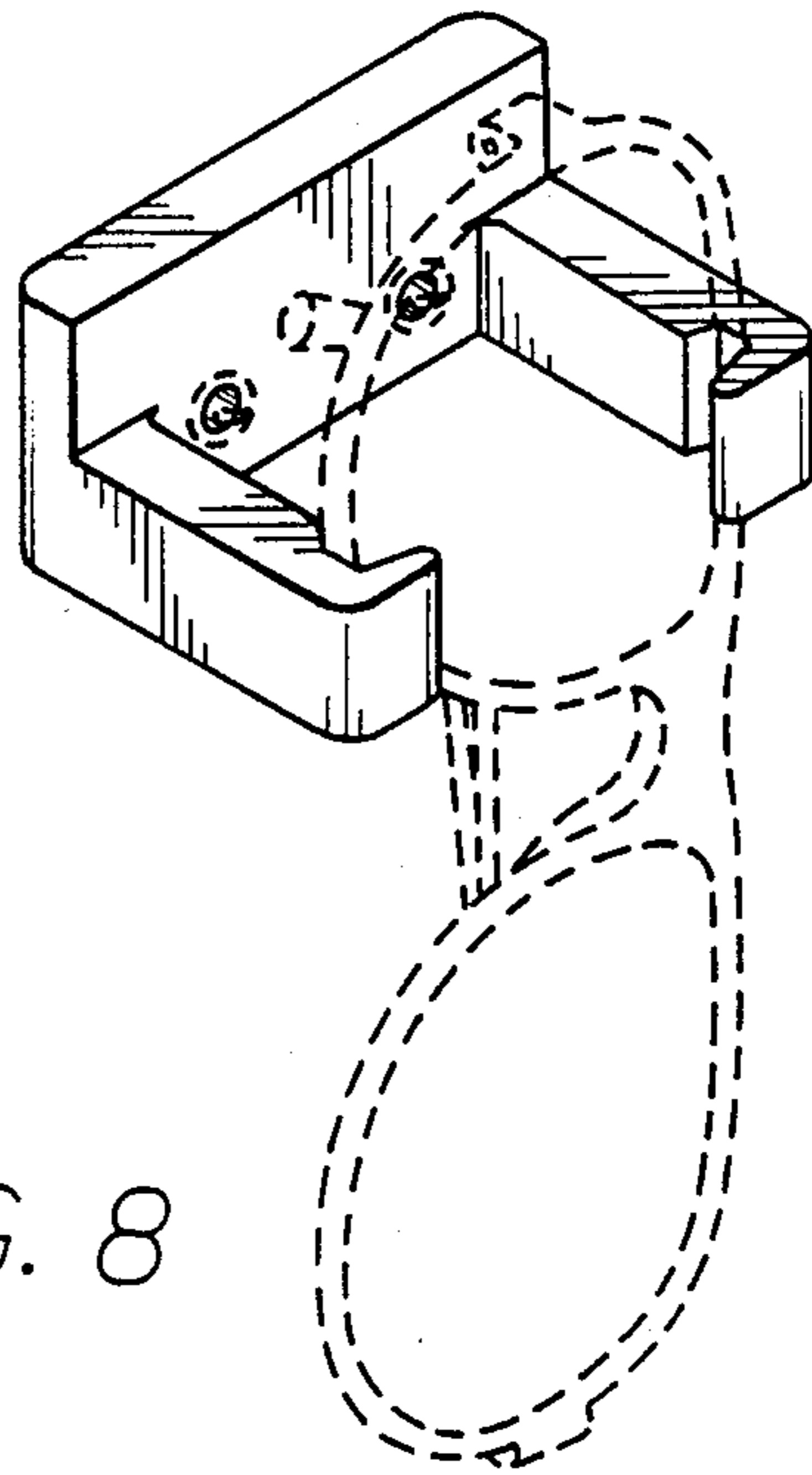


FIG. 8

FIG. 7

