

United States Patent [19]

Phillips, Sr.

[11] Patent Number: **Des. 306,866**

[45] Date of Patent: **** Mar. 27, 1990**

[54] REAMER

[76] Inventor: **Douglas B. Phillips, Sr.**, 4124
Greenleaf St., Spring, Tex. 77389

[**] Term: **14 Years**

[21] Appl. No.: **158,372**

[22] Filed: **Feb. 22, 1988**

[52] U.S. Cl. **D15/139**

[58] Field of Search **D15/139, 138, 140, 21;**
408/200, 223, 224, 225, 229

1,596,063 8/1926 Miller 408/229 X
1,643,679 9/1927 Roderick 408/223 X
1,648,802 11/1927 Gairing 408/224
1,716,455 6/1929 Miller 408/200 X

Primary Examiner—Nelson C. Holtje
Assistant Examiner—Jeffrey Asch
Attorney, Agent, or Firm—Kenneth A. Roddy

[57] CLAIM

The ornamental design for a reamer, as shown and described.

[56] References Cited

U.S. PATENT DOCUMENTS

D. 178,899 10/1956 Olsen D15/139 X
D. 189,499 12/1960 Sussman D15/139 X
D. 202,998 11/1965 Elkell et al. D15/139 X
D. 275,759 10/1984 Astle D15/139
842,481 1/1907 Martin 408/200

DESCRIPTION

FIG. 1 is a front and right side perspective view of a reamer showing my new design;
FIG. 2 is a top plan view, the bottom and left side being the same in appearance;
FIG. 3 is a front elevational view; and
FIG. 4 is a rear elevational view thereof.

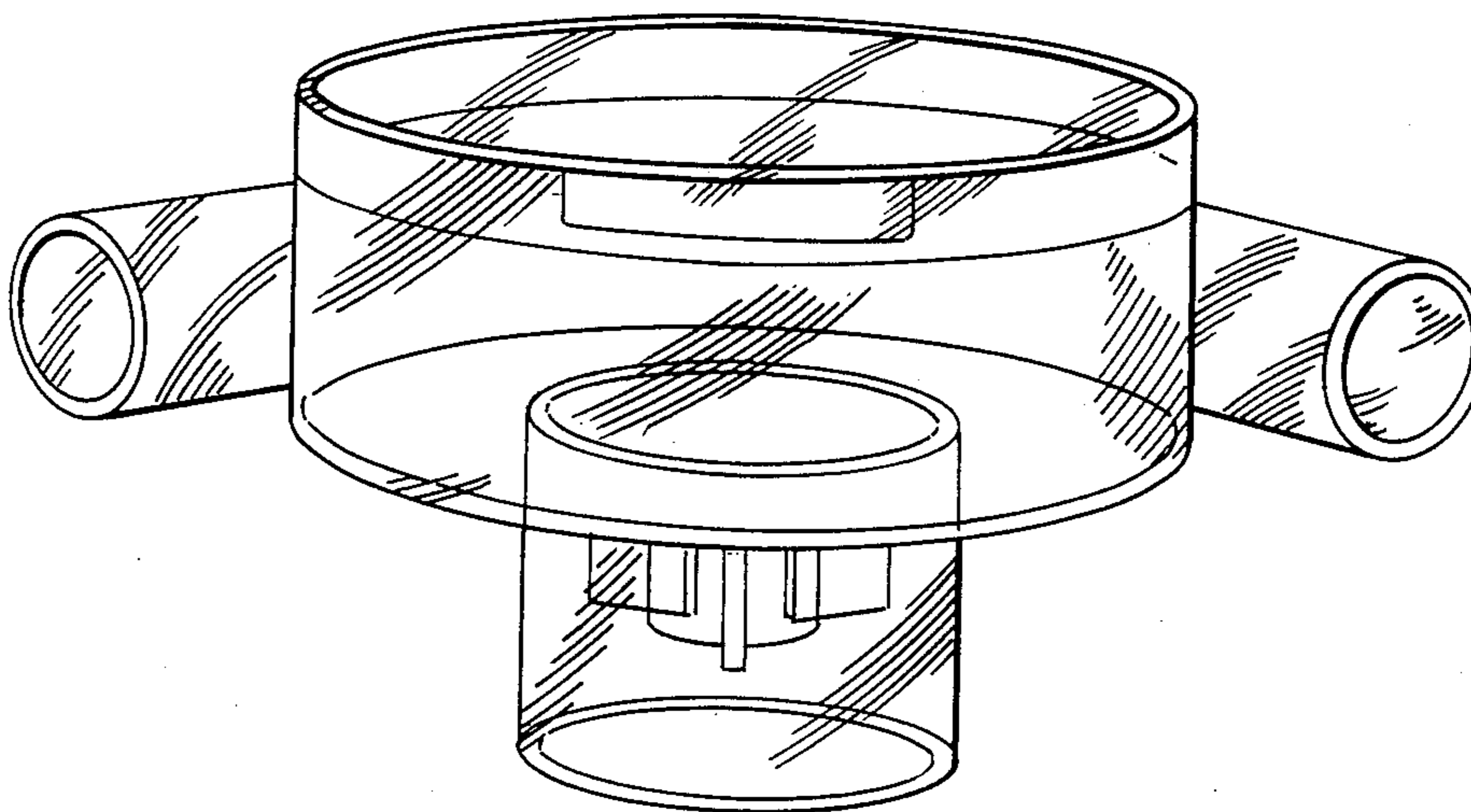


FIG. 1

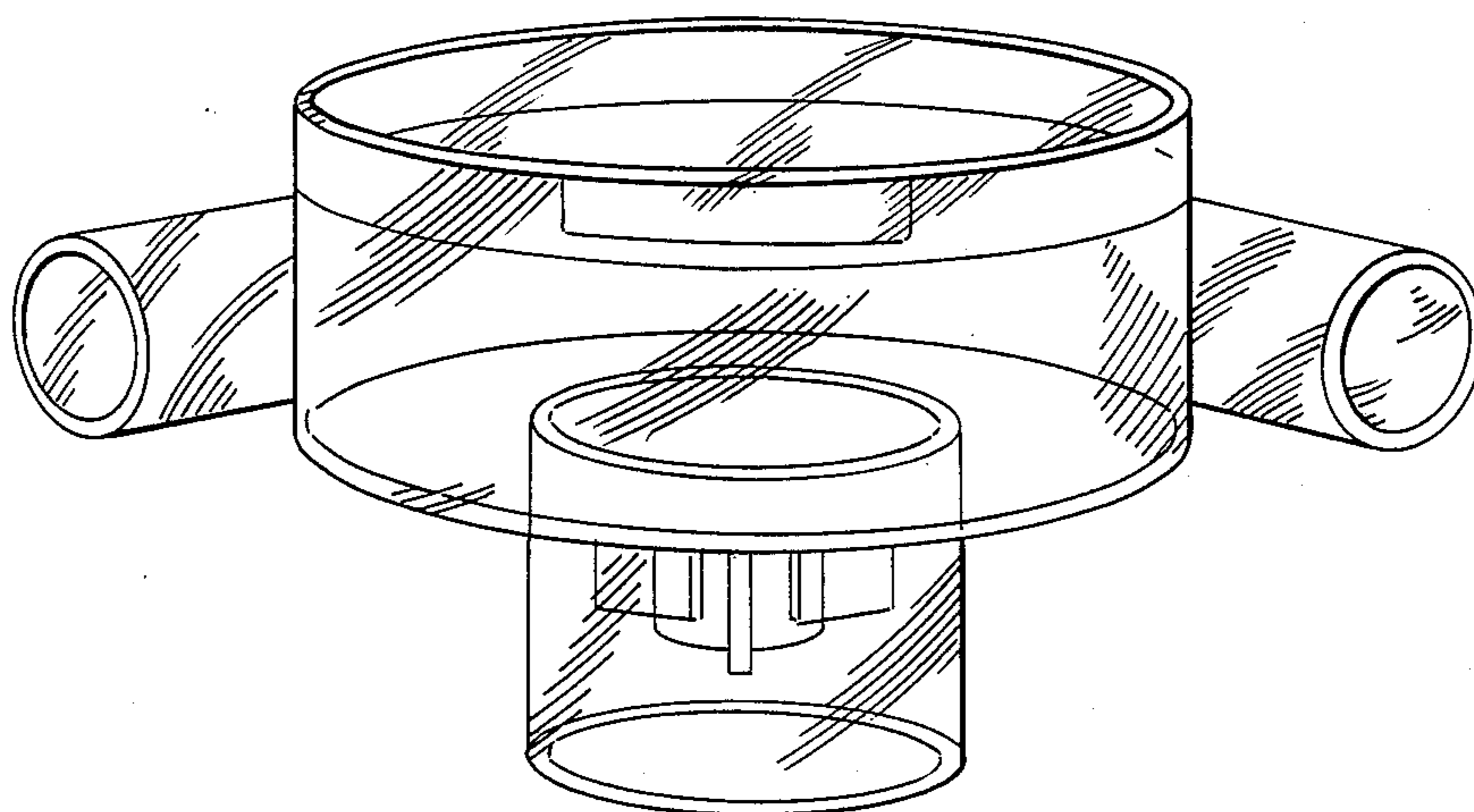


FIG. 2

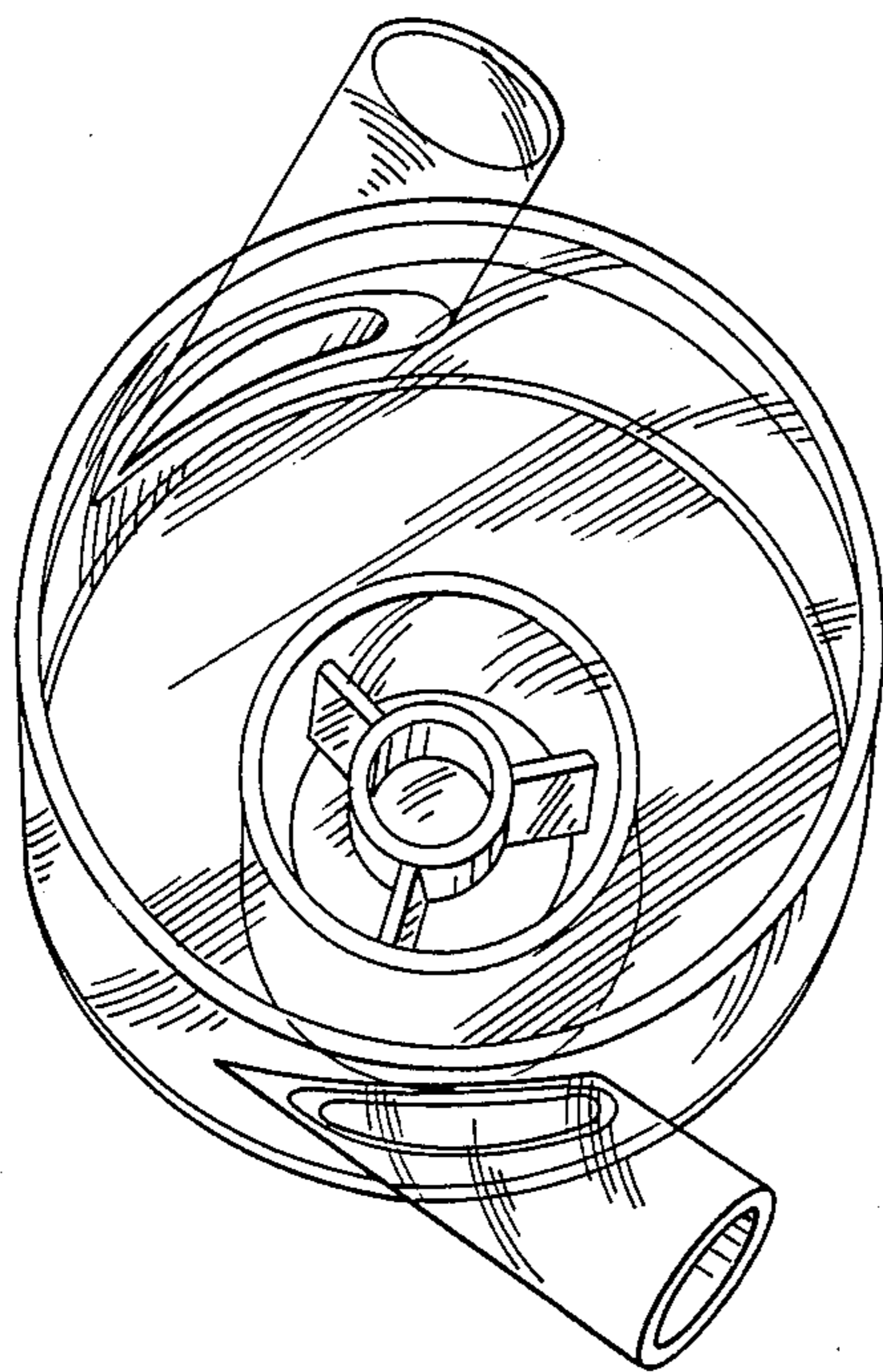
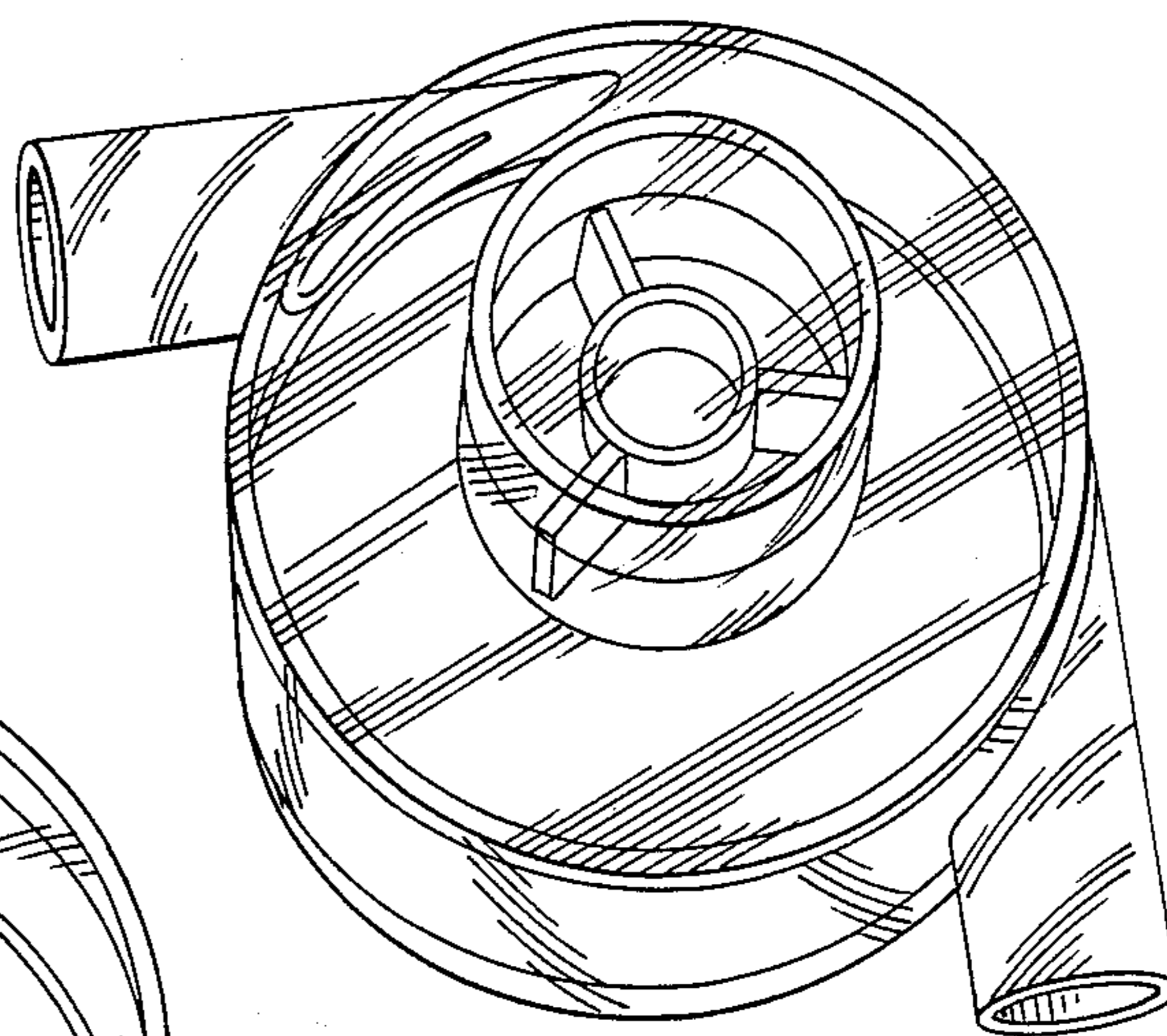


FIG. 3



UNITED STATES PATENT AND TRADEMARK OFFICE
CERTIFICATE OF CORRECTION

PATENT NO. : Des. 306,866

Page 1 of 3

DATED : March 27, 1990

INVENTOR(S) : Douglas B. Phillips, Sr.

It is certified that error appears in the above-identified patent and that said Letters Patent is hereby corrected as shown below:

The title page should be deleted to appear as per attached title page.

The sheet of Drawing consisting of Figures 1-3 should be deleted to appear as per attached sheet.

**Signed and Sealed this
Twenty-ninth Day of May, 1990**

Attest:

HARRY F. MANBECK, JR.

Attesting Officer

Commissioner of Patents and Trademarks

United States Patent [19]
Phillips, Sr.

[11] **Patent Number: Des. 306,866**
 [45] **Date of Patent: ** Mar. 27, 1990**

[54] **REAMER**
 [76] **Inventor: Douglas B. Phillips, Sr., 4124
 Greenleaf St., Spring, Tex. 77389**
 [**] **Term: 14 Years**
 [21] **Appl. No.: 158,372**
 [22] **Filed: Feb. 22, 1988**
 [52] **U.S. CL. D15/139**
 [58] **Field of Search D15/139, 138, 140, 21;
 408/200, 223, 224, 225, 229**

1,596,063 8/1926 Miller 408/229 X
 1,643,679 9/1927 Roderick 408/223 X
 1,648,802 11/1927 Gairing 408/224
 1,716,455 6/1929 Miller 408/200 X

Primary Examiner—Nelson C. Holtje
Assistant Examiner—Jeffrey Asch
Attorney, Agent, or Firm—Kenneth A. Roddy

[57] **CLAIM**

The ornamental design for a reamer, as shown and described.

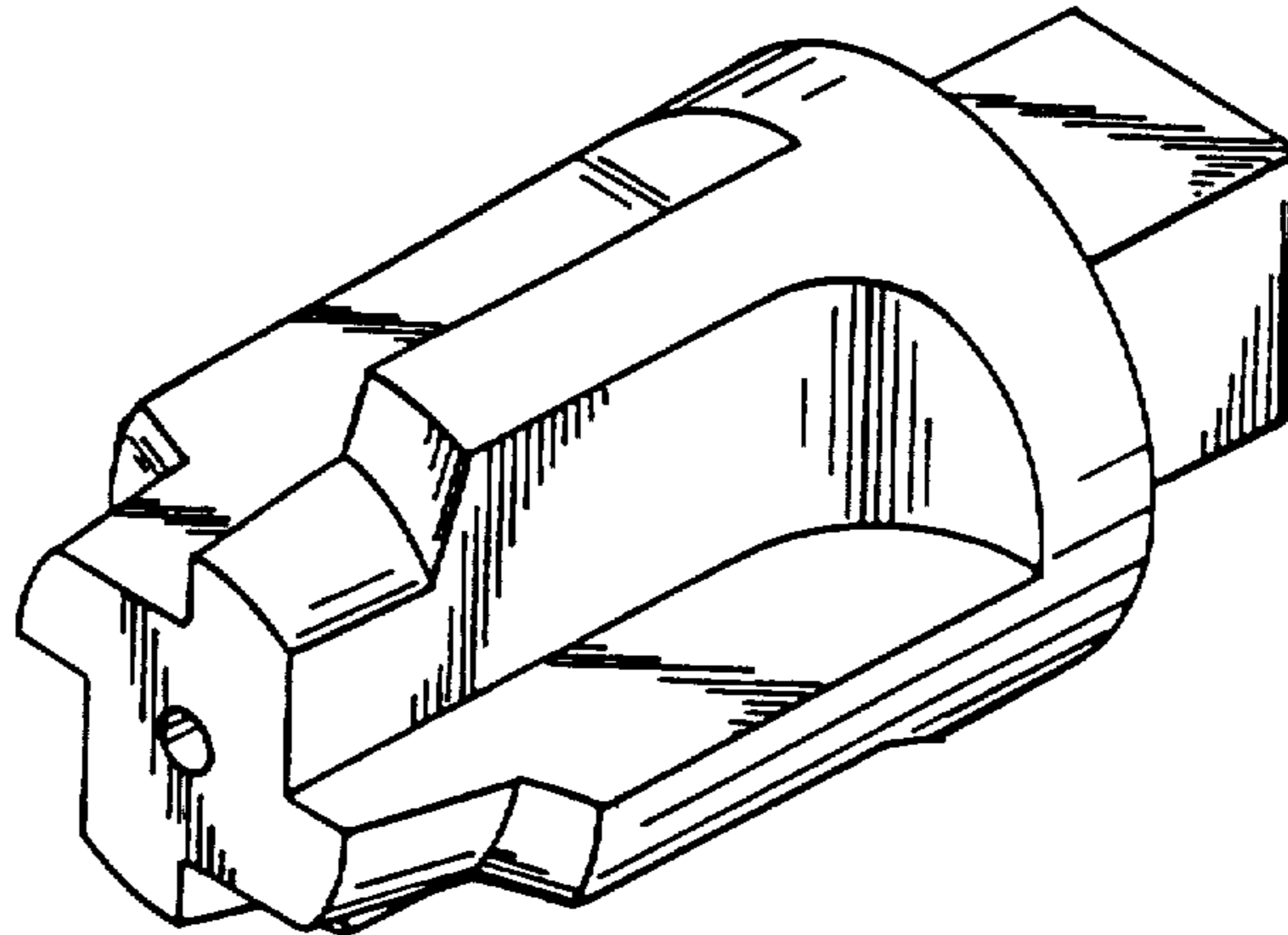
[56] **References Cited**

U.S. PATENT DOCUMENTS

D. 178,899 10/1956 Olsen D15/139 X
 D. 189,499 12/1960 Sussman D15/139 X
 D. 202,998 11/1965 Elkell et al. D15/139 X
 D. 275,759 10/1984 Astle D15/139
 842,481 1/1907 Martin 408/200

DESCRIPTION

FIG. 1 is a front and right side perspective view of a reamer showing my new design;
 FIG. 2 is a top plan view, the bottom and left side being the same in appearance;
 FIG. 3 is a front elevational view; and
 FIG. 4 is a rear elevational view thereof.



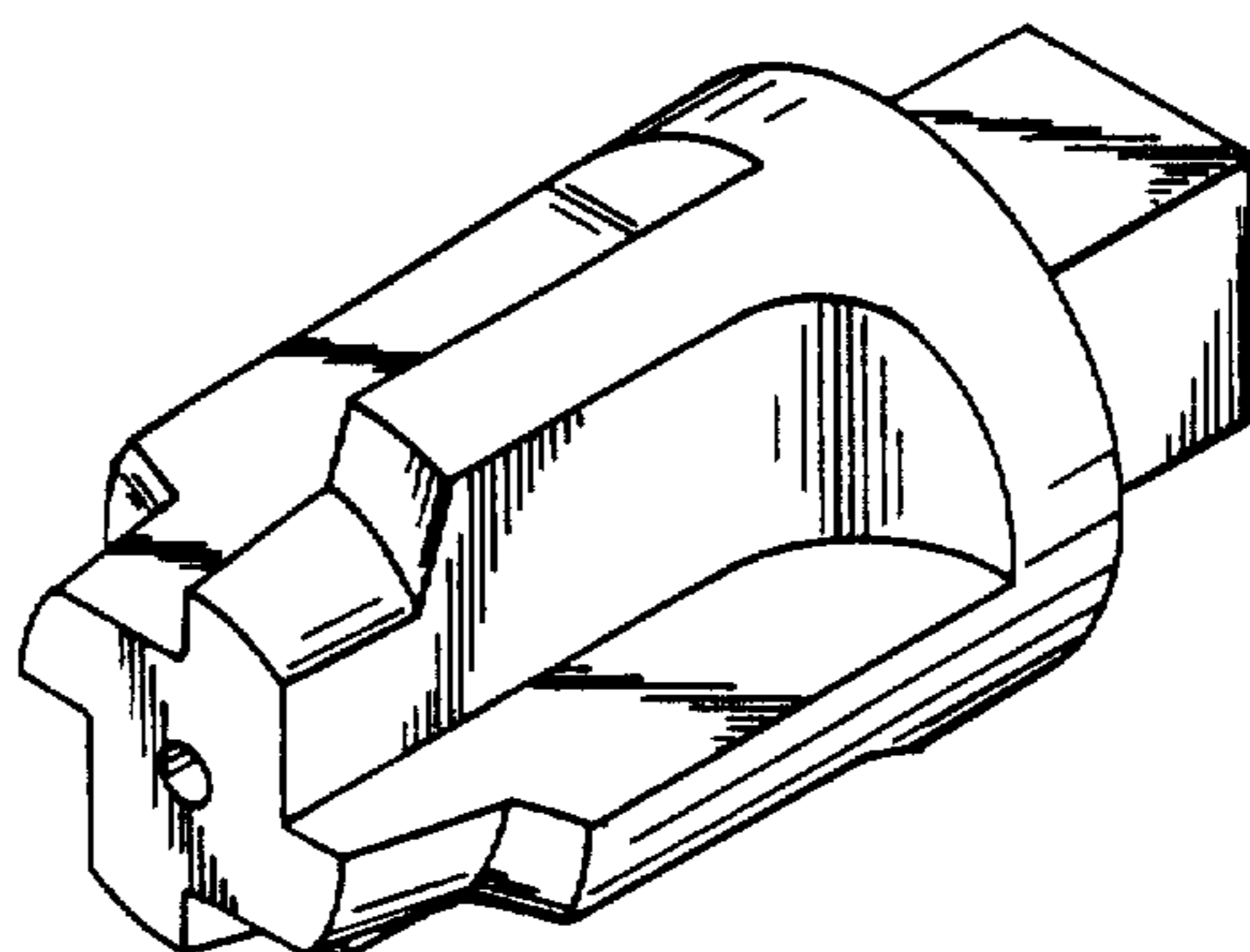


fig. 1

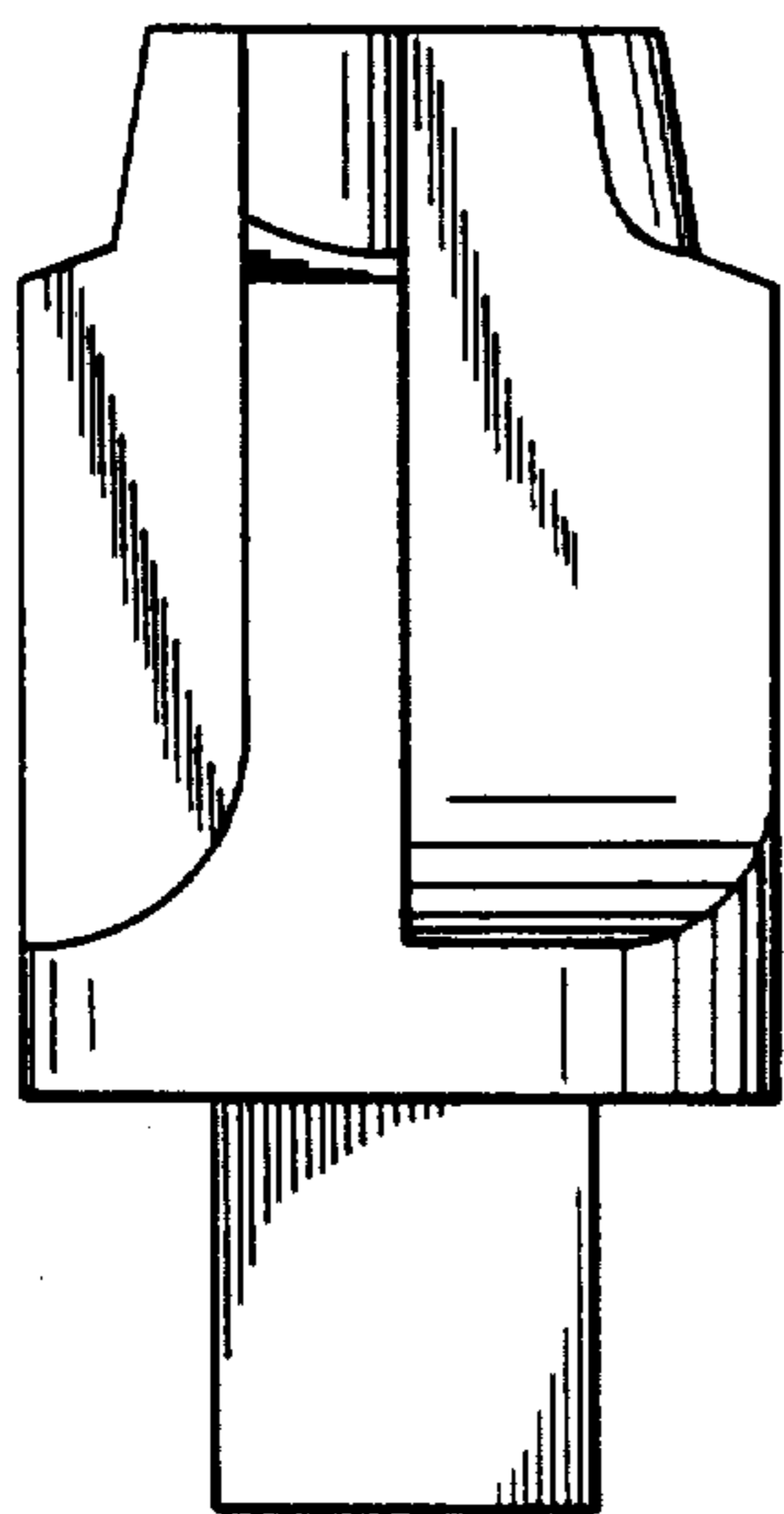


fig. 2

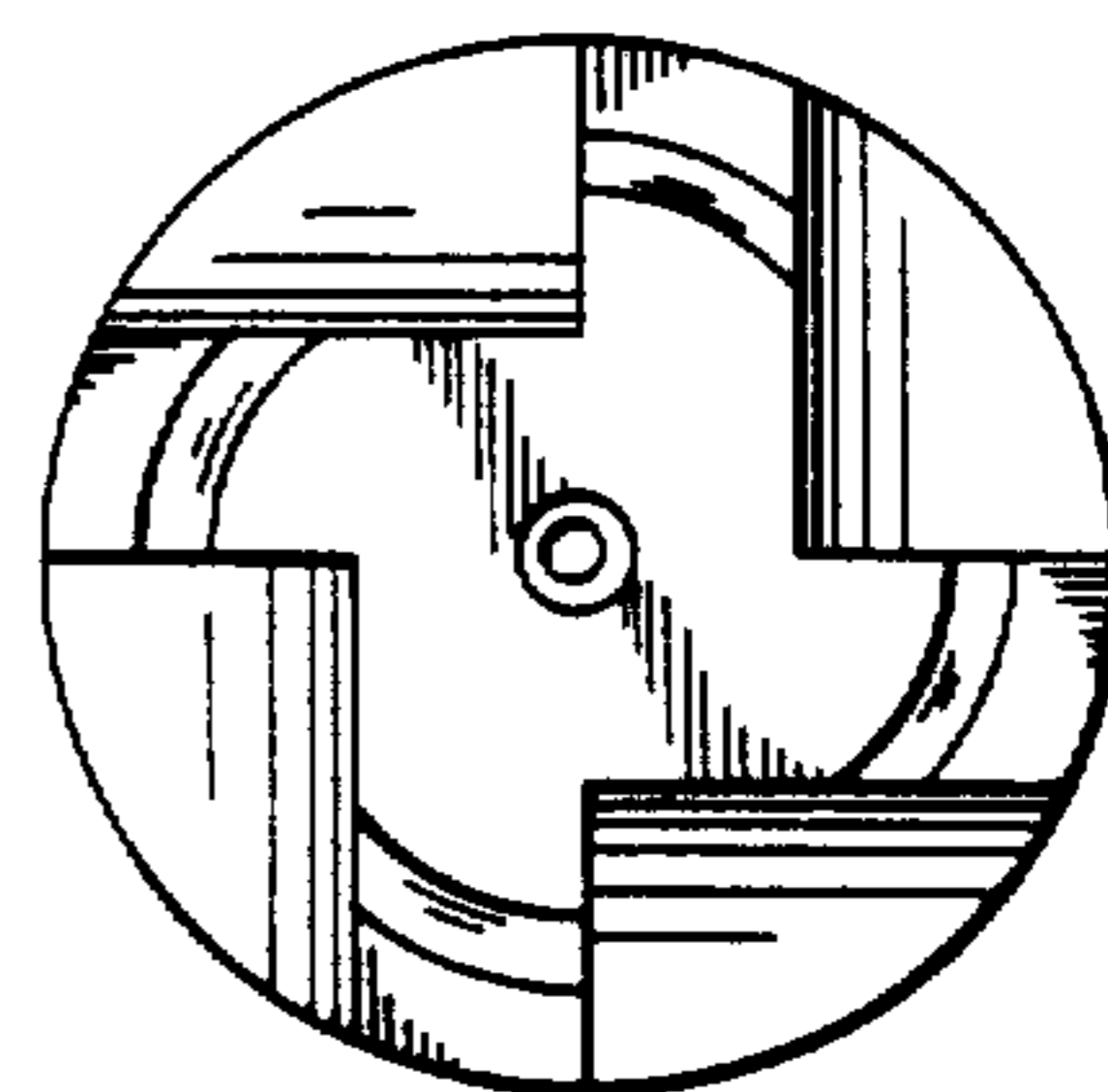


fig. 3

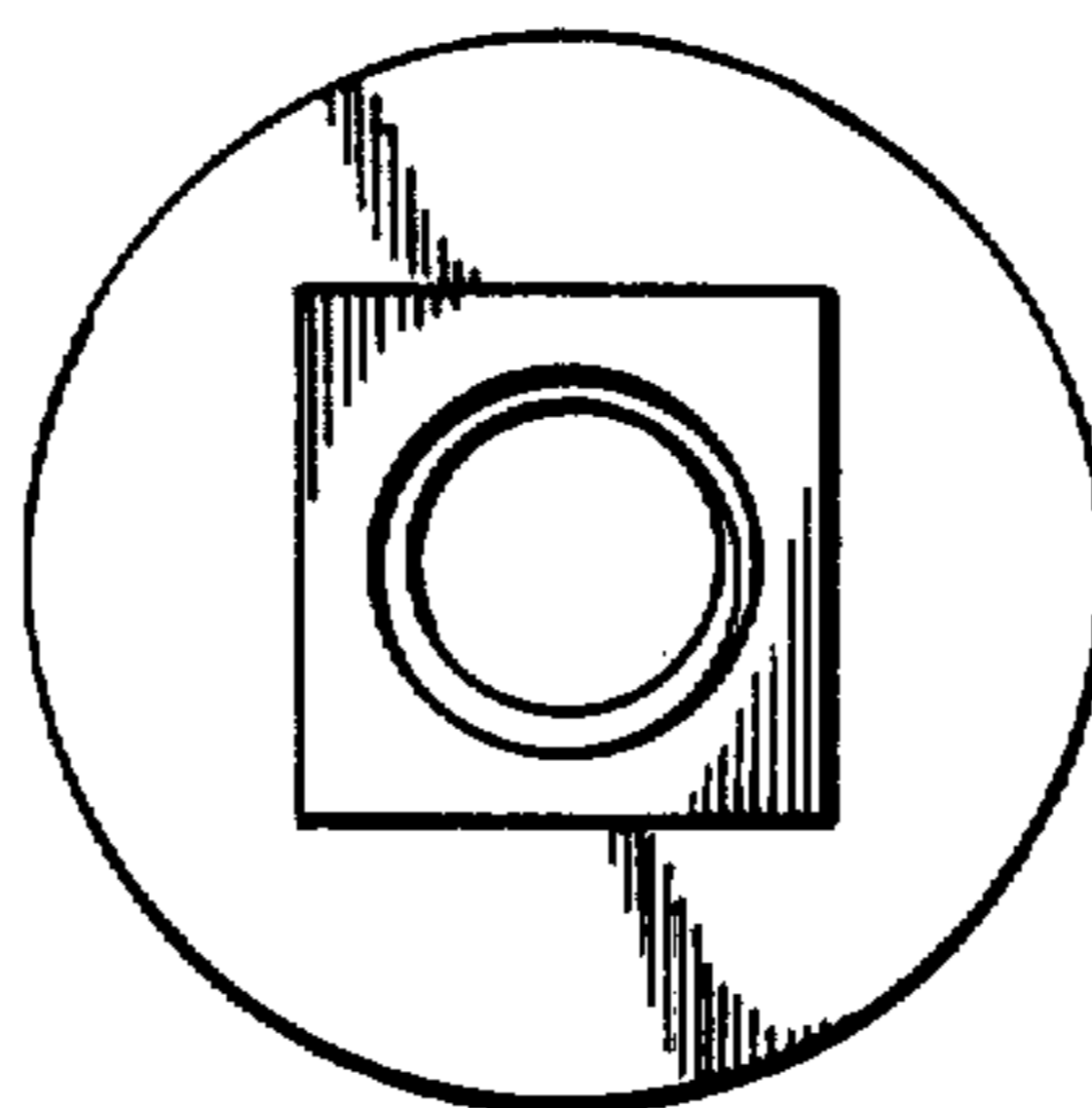


fig. 4