

[54] GRANULAR MATERIAL SELF-UNLOADING WAGON

[75] Inventor: Michael D. Van Mill, Shell Rock, Iowa

[73] Assignee: Unverferth Manufacturing Co., Inc., Kalida, Ohio

[\*\*] Term: 14 Years

[21] Appl. No.: 101,549

[22] Filed: Sep. 28, 1987

[52] U.S. Cl. .... D15/27

[58] Field of Search ..... D15/10, 27; 56/473.5; 298/24; 222/144.5, 608; 414/526

[56] References Cited

U.S. PATENT DOCUMENTS

D. 217,275	4/1970	Malcolm et al. ....	D15/27
D. 294,583	3/1988	Blumer et al. ....	D15/27
4,415,303	11/1983	Westendorf et al. ....	414/526
4,646,942	3/1987	Kuhns .....	298/24

FOREIGN PATENT DOCUMENTS

0146382 5/1952 Australia ..... 414/526

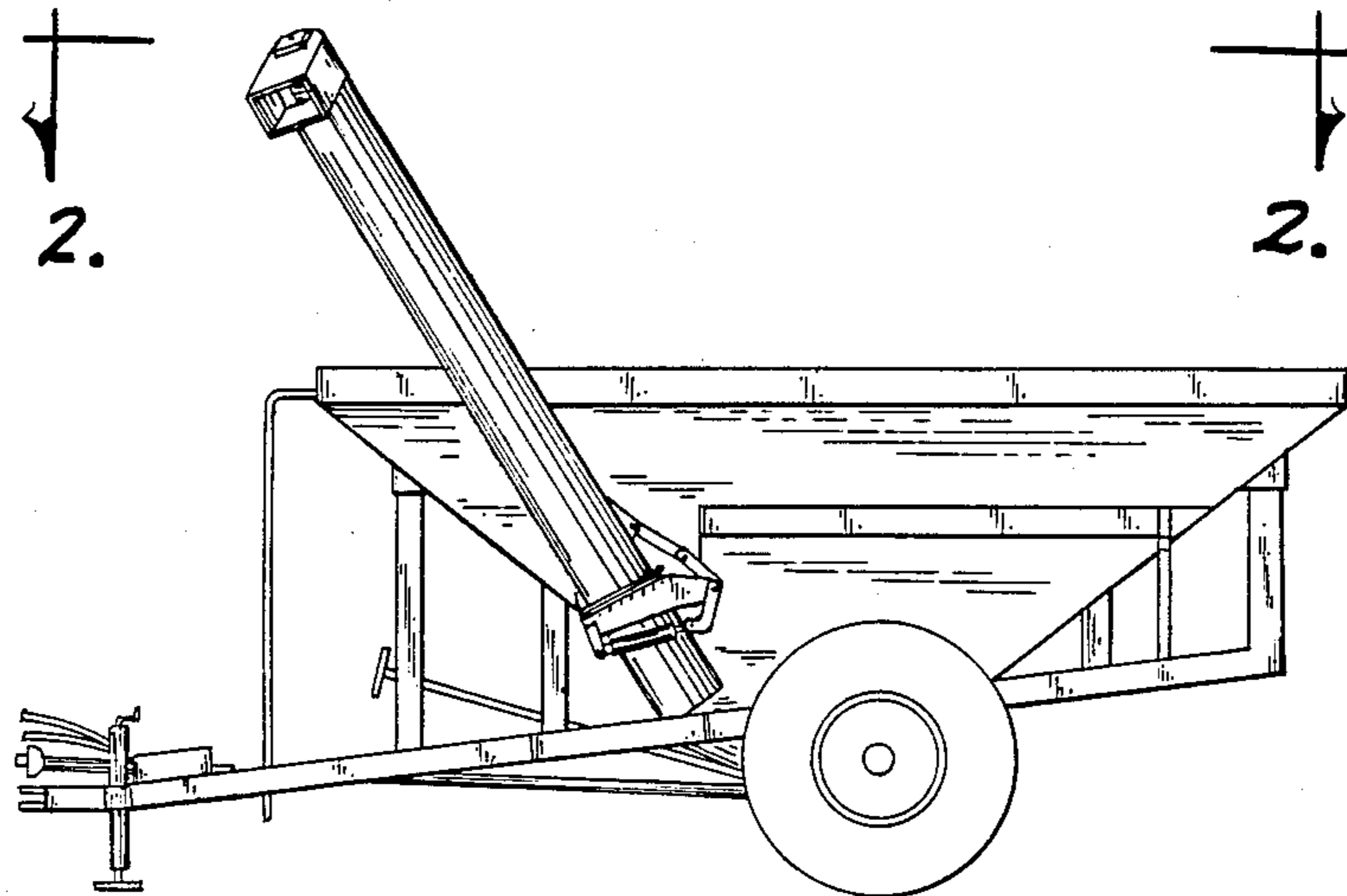
Primary Examiner—Charles A. Rademaker  
Assistant Examiner—Sandra Morris  
Attorney, Agent, or Firm—Henderson & Sturm

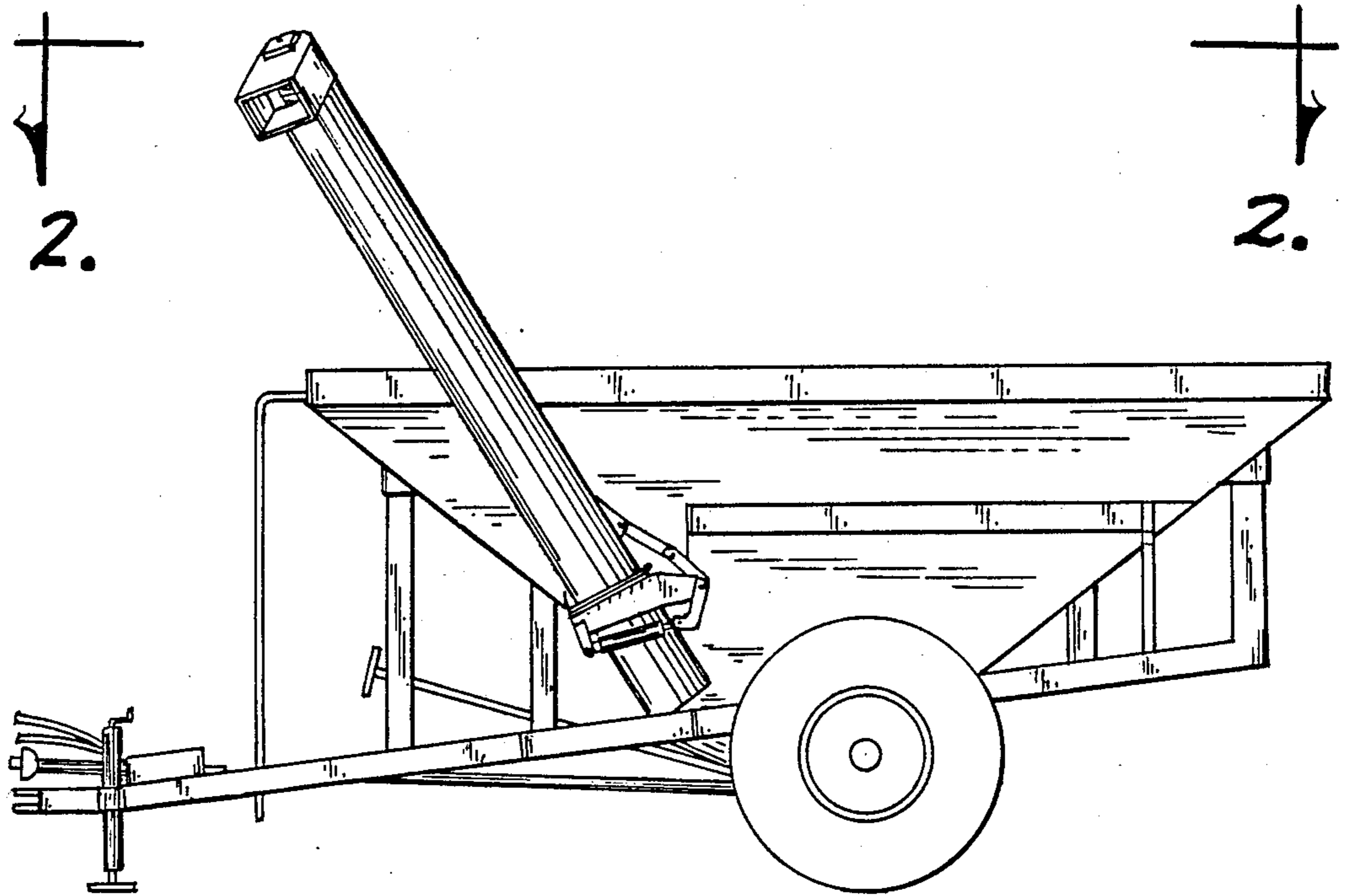
[57] CLAIM

The ornamental design for a granular material self-unloading wagon or the like, as shown and described.

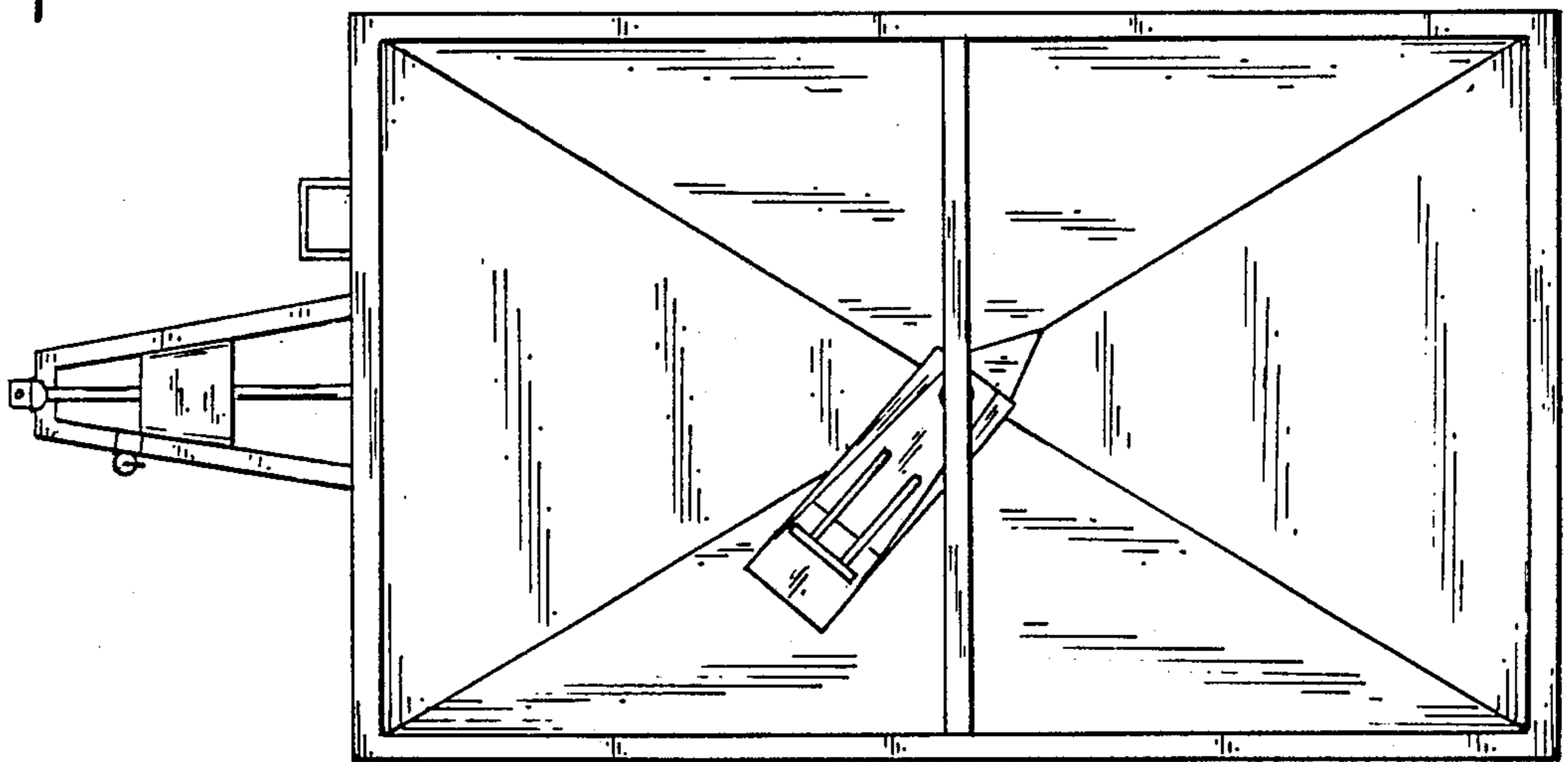
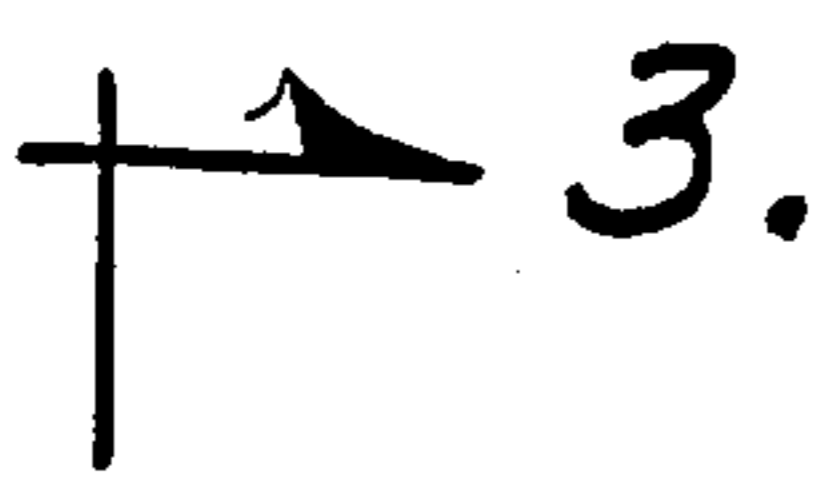
DESCRIPTION

FIG. 1 is an elevational view of one side of a granular material self-unloading wagon showing my new design; FIG. 2 is a top plan view thereof as seen along the line 2—2 in FIG. 1; FIG. 3 is a front elevational view thereof, as taken along the line 3—3 in FIG. 2; FIG. 4 is an elevational view of the other side thereof as taken along line 4—4 in FIG. 3; FIG. 5 is a rear elevational view thereof as taken along the line 5—5 in FIG. 4; and FIG. 6 is a view similar to FIG. 1, and showing the boom element thereof in its transport position.

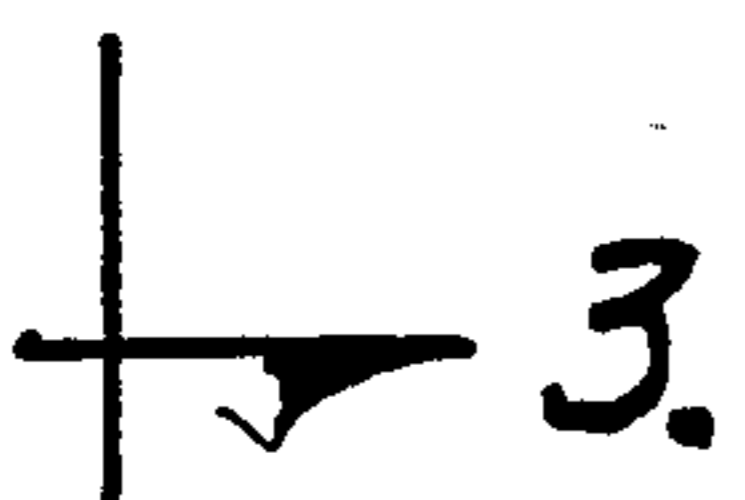


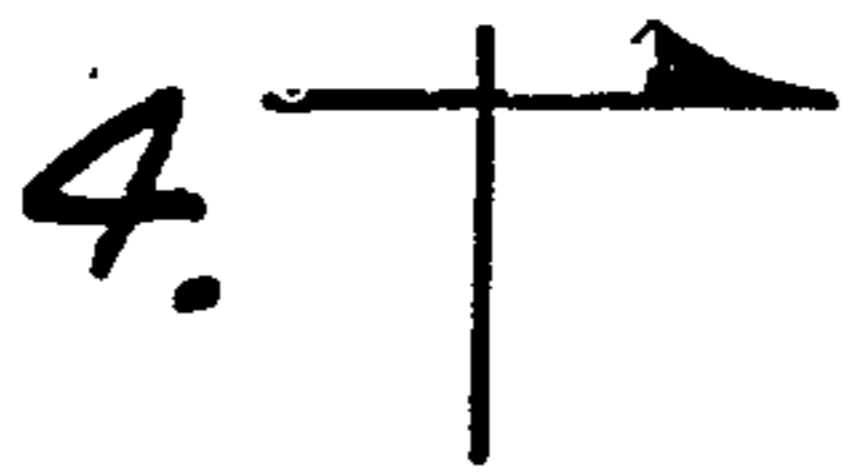


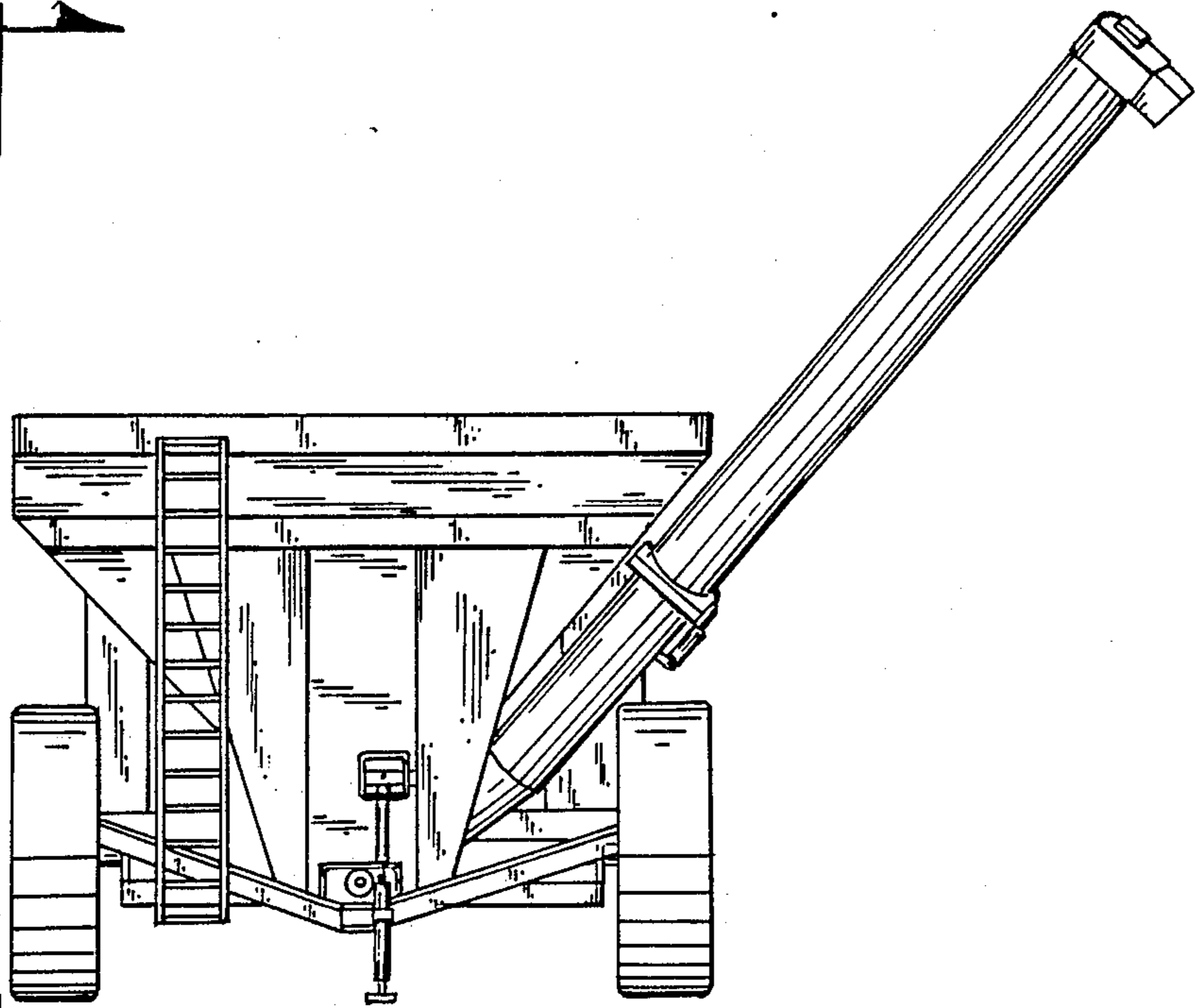
*Fig. 1*





*Fig. 2*

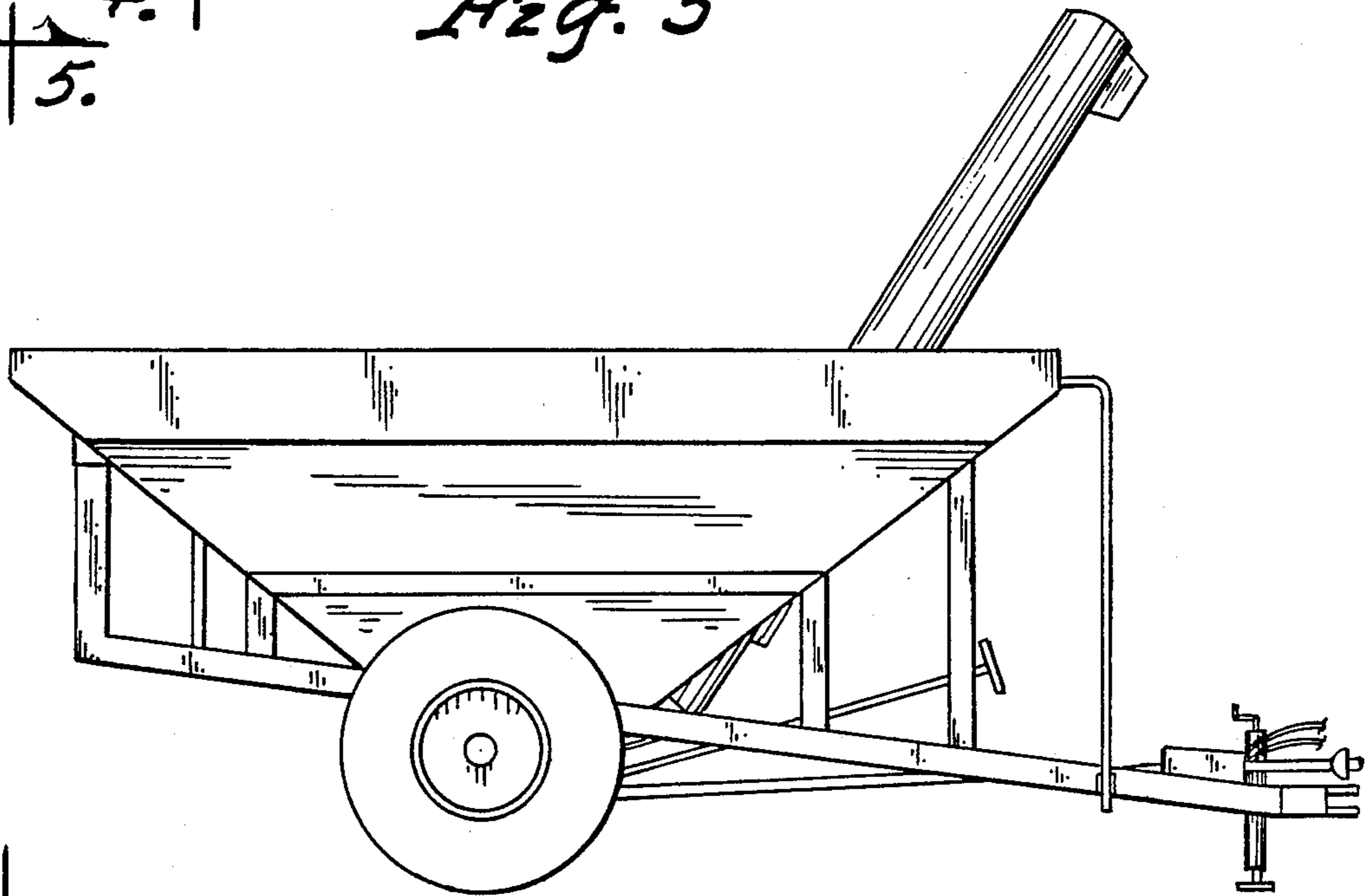


4. 



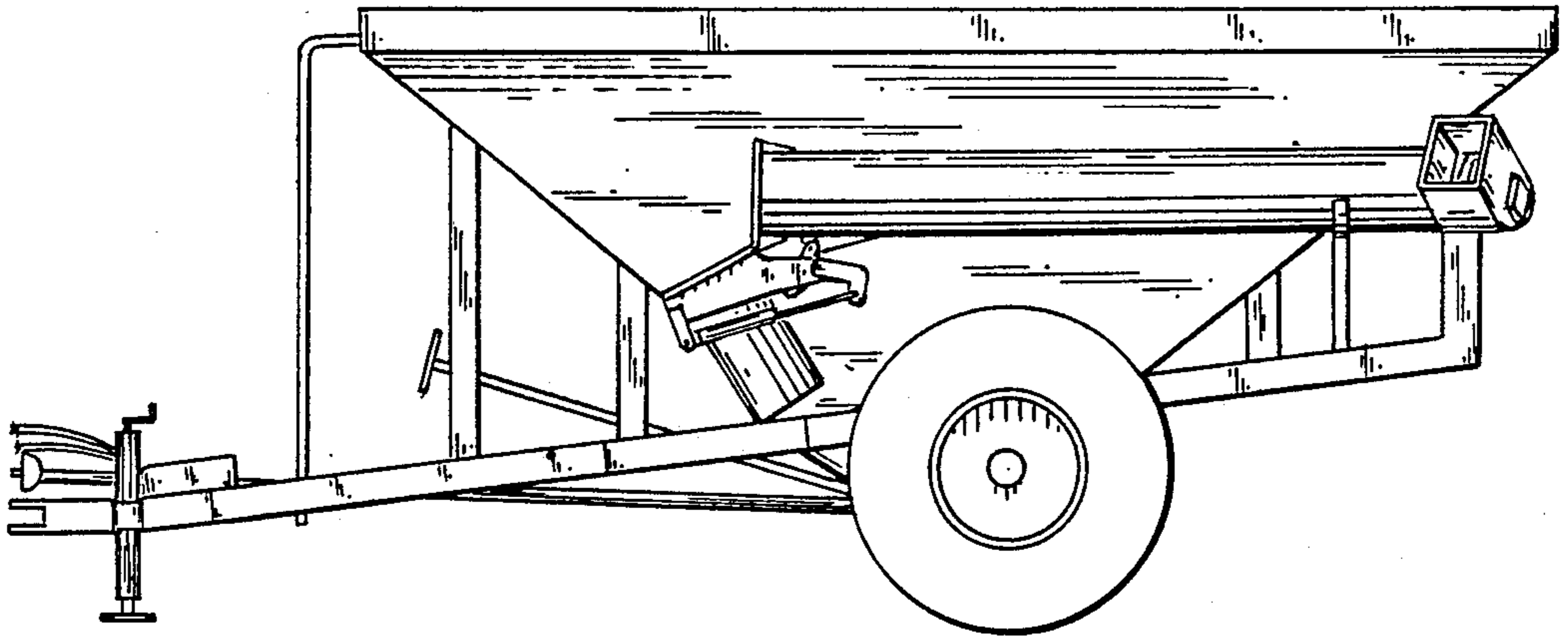
4.   
5. 

*Fig. 3*

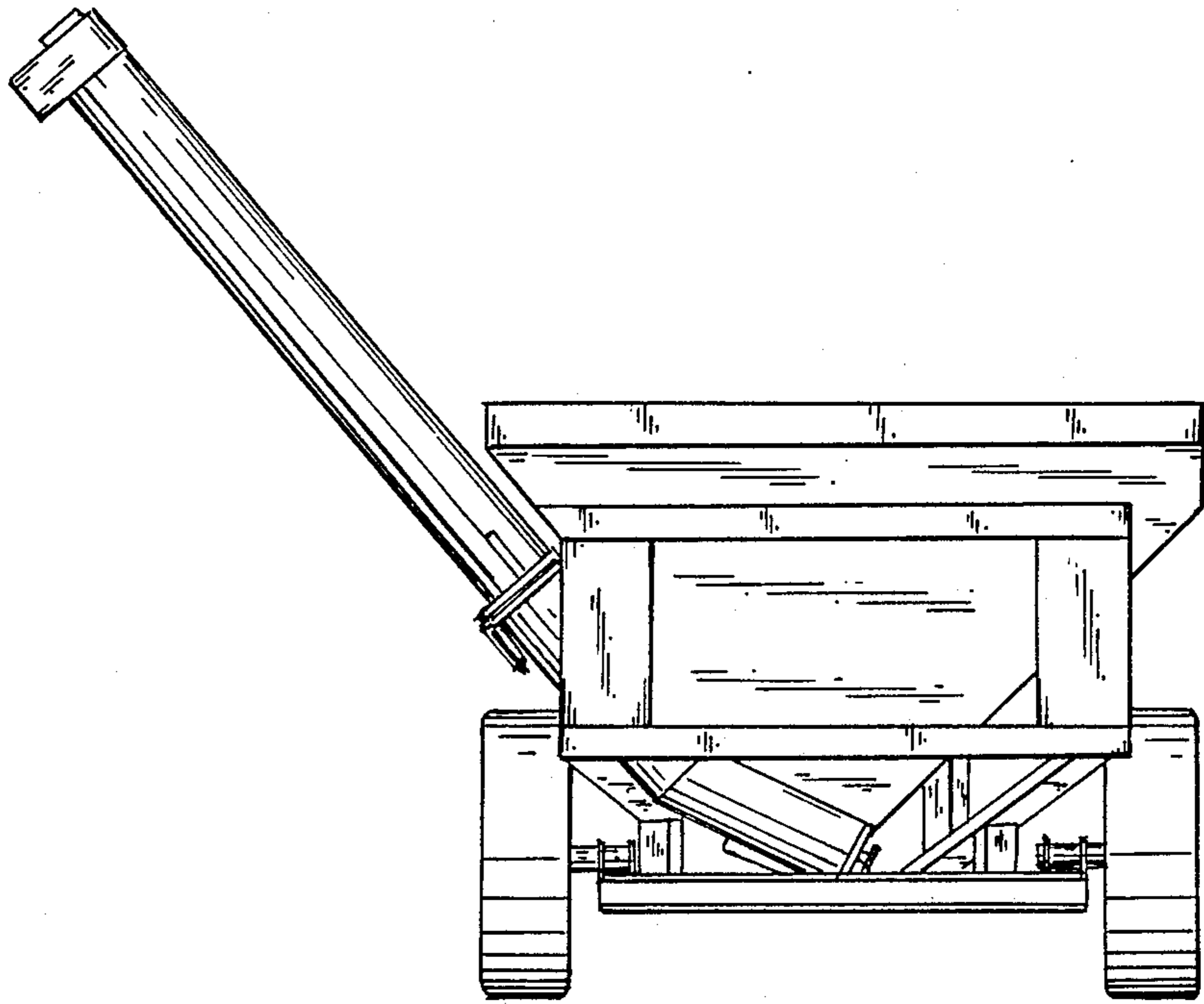


5. 

*Fig. 4.*



*Fig. 6*



*Fig. 5*