

[54] INDOOR TELEVISION ANTENNA

[76] Inventor: Sherman B. Kent, 696 Dedham St., Newton Centre, Mass. 02159

[\*\*] Term: 14 Years

[21] Appl. No.: 8,932

[22] Filed: Jan. 30, 1987

[52] U.S. Cl. .... D14/230; D14/231

[58] Field of Search ..... D14/230-238, D14/299; 343/702, 705, 708, 711, 712, 713, 726, 765, 766, 785, 786, 805, 733, 850, 861, 872, 880, 882, 895, 908

[56] References Cited

U.S. PATENT DOCUMENTS

- D. 227,902 7/1973 Callaghan et al. .... D14/235
- D. 238,430 1/1976 Lanson et al. .... D14/235
- 3,739,388 6/1973 Callaghan ..... 343/726
- 3,918,063 11/1975 Nakamichi et al. .... 343/726 X

OTHER PUBLICATIONS

Radio Shack 1986 Catalog No 393, p. 91, top right—Color Supreme V Amplified UHF/VHF and FM Antenna.

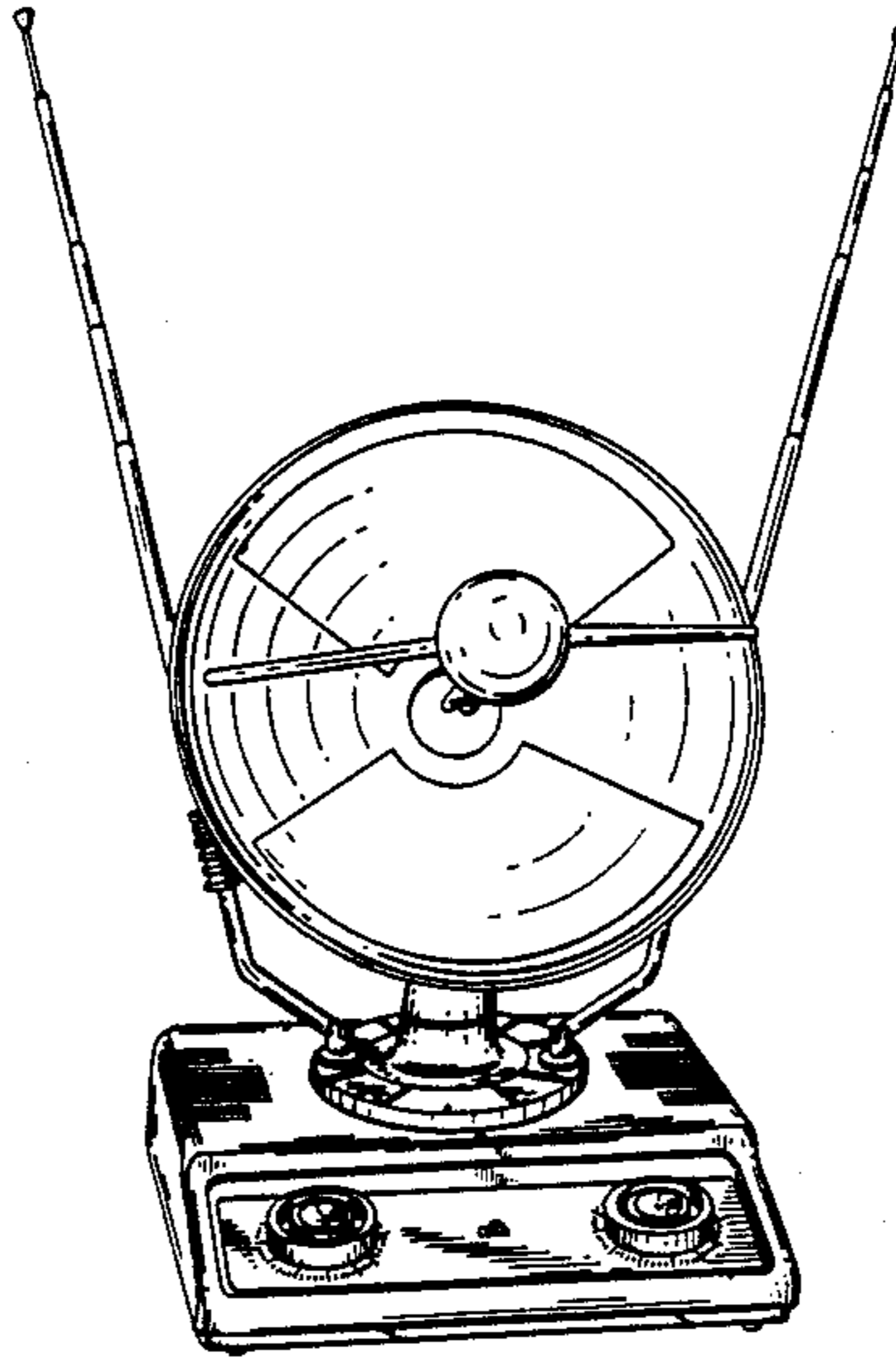
Primary Examiner—Bernard Ansher  
Assistant Examiner—Theodore M. Shooman

[57] CLAIM

The ornamental design for an indoor television antenna, as shown and described.

DESCRIPTION

FIG. 1 is a top, front and left side perspective view of an indoor television antenna showing my new design; FIG. 2 is a front elevational view thereof; FIG. 3 is a right side elevational view thereof, the left side being a mirror image; FIG. 4 is a top plan view thereof; and FIG. 5 is a rear elevational view thereof. The bottom of the antenna being plane and unornamented.



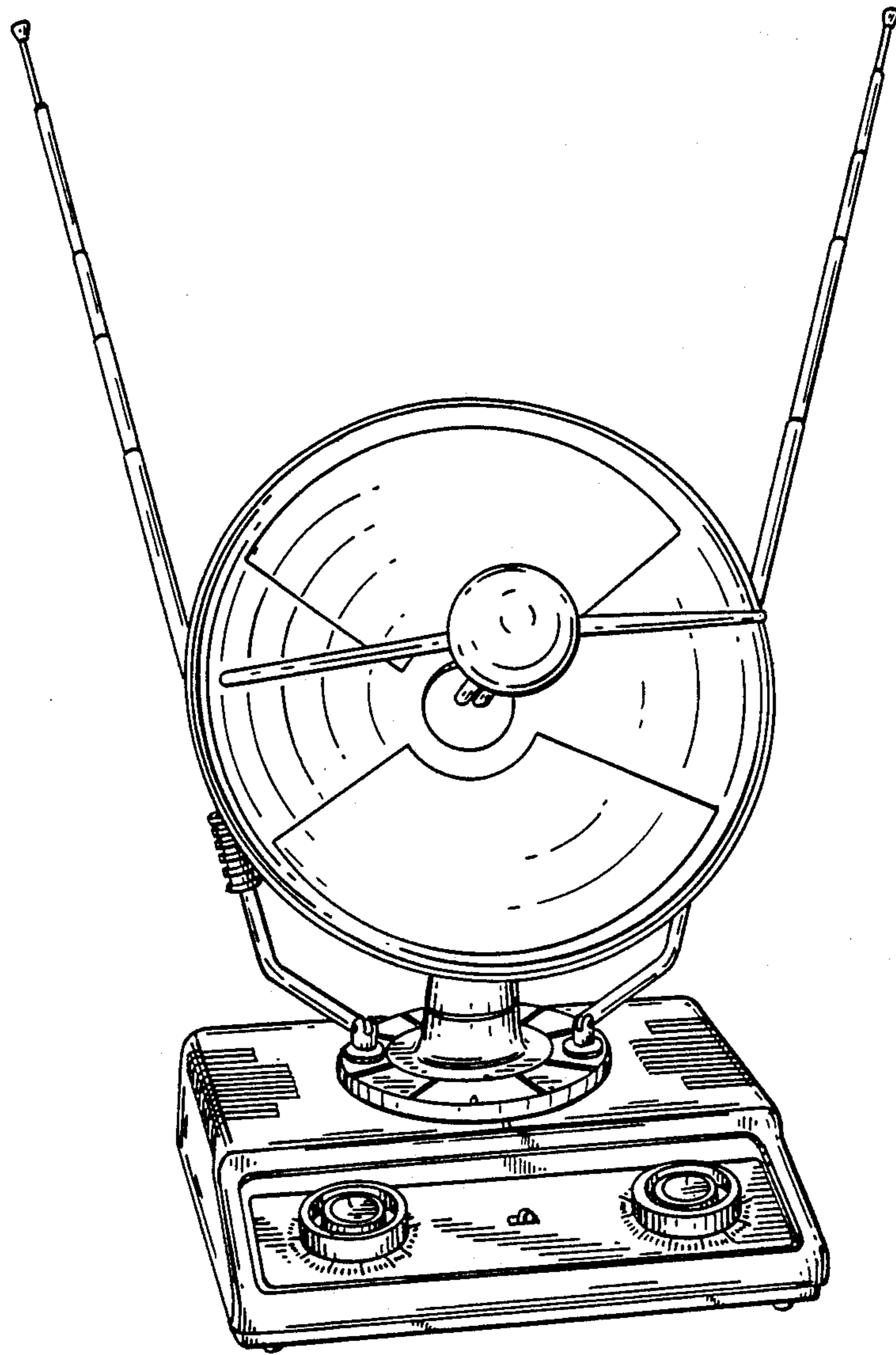


FIG. 1

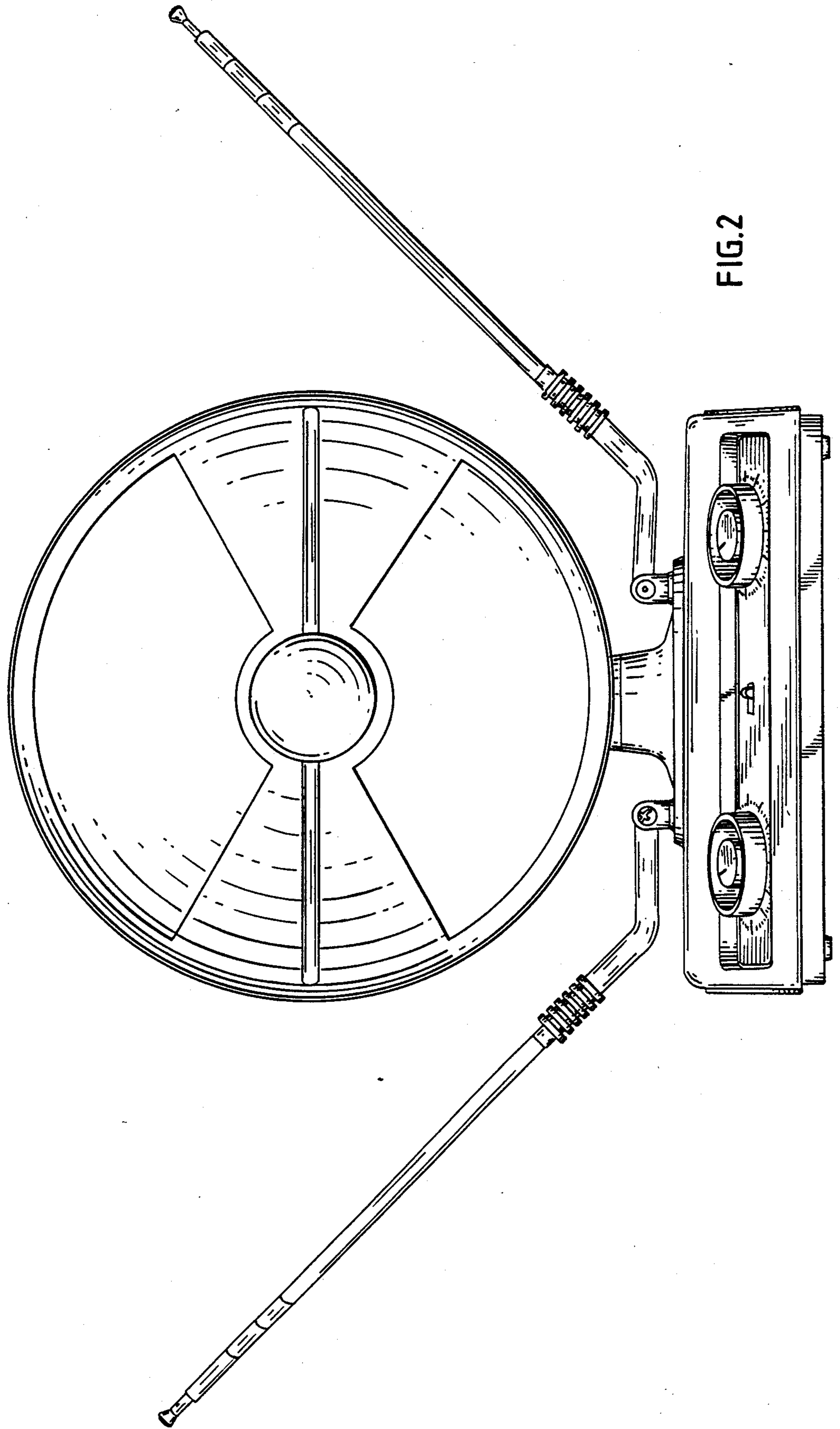


FIG. 2

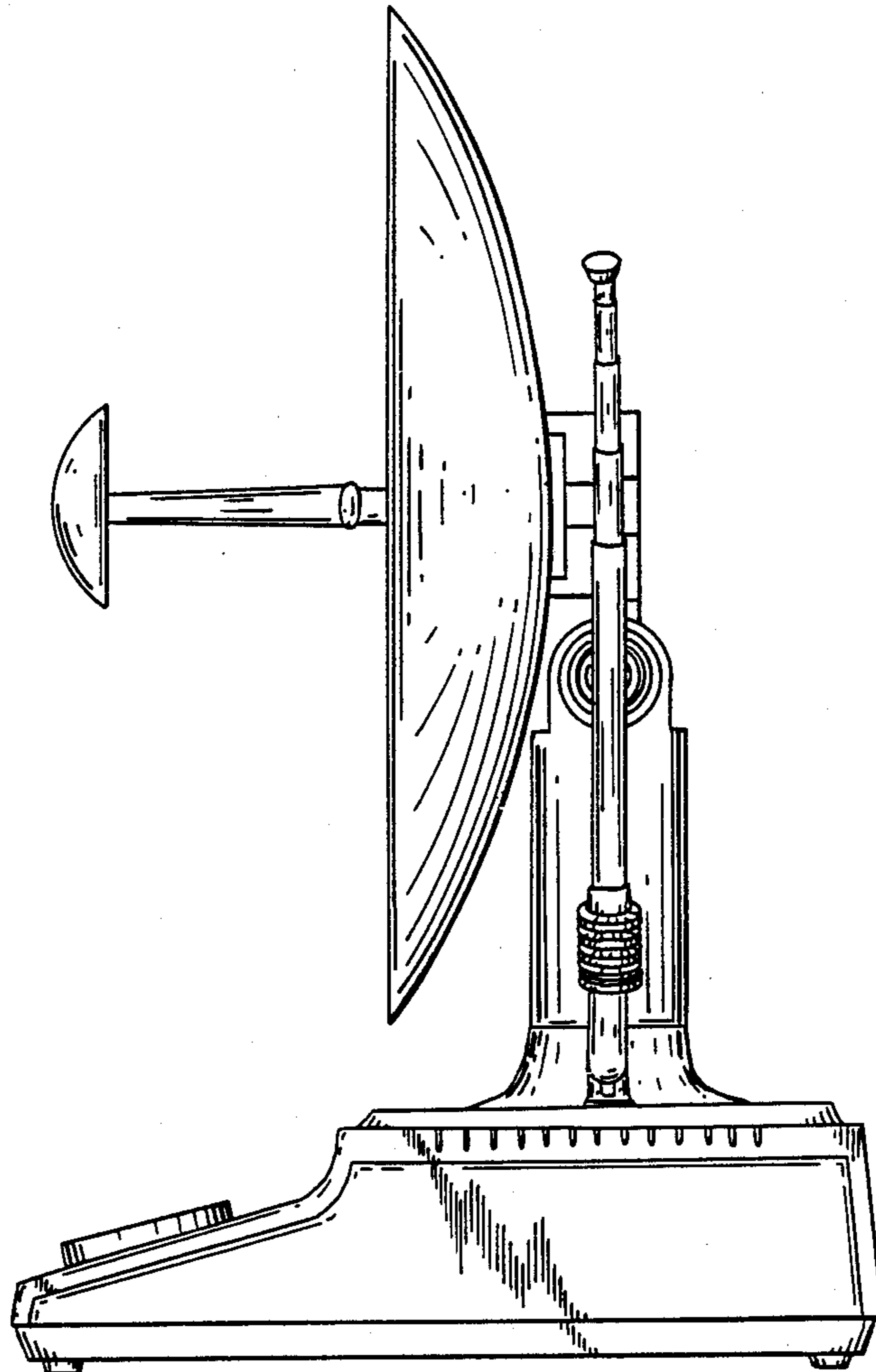


FIG. 3

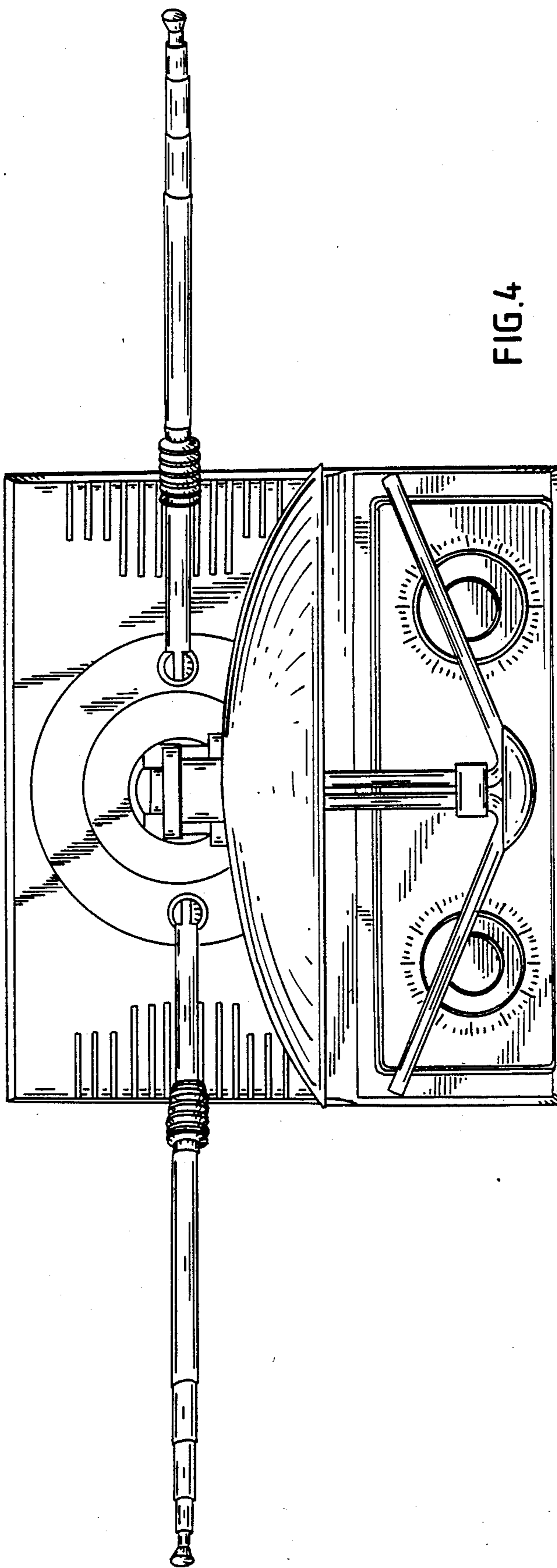


FIG. 4

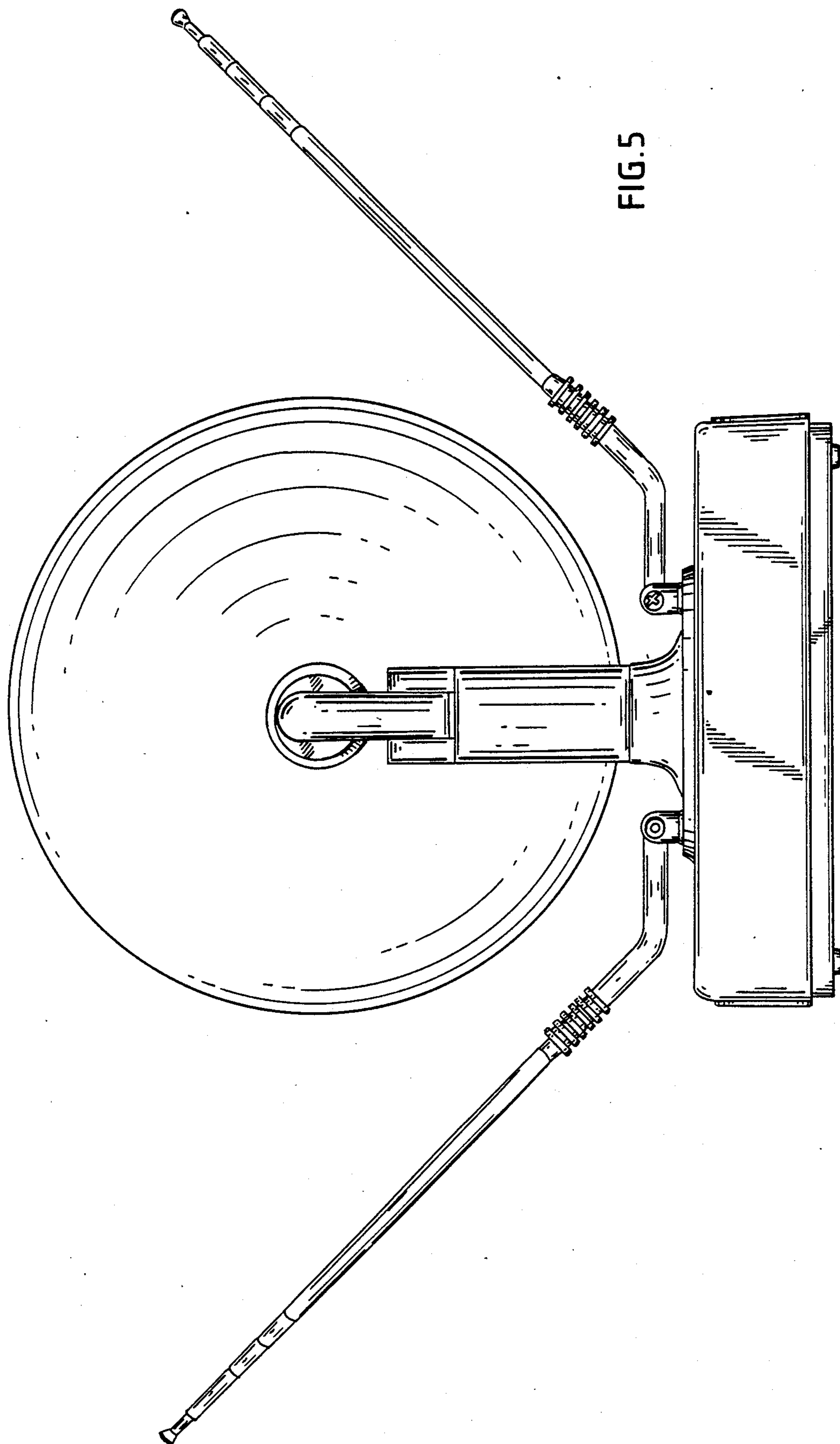


FIG. 5