

[54] COMBINED VIDEO CASSETTE RECORDER AND COLOR TV MONITOR

[75] Inventors: Norihiko Shimose; Yoshinobu Kitakaze, both of Ehime, Japan

[73] Assignee: Matsushita Electric Industrial Co., Ltd., Osaka, Japan

[**] Term: 14 Years

[21] Appl. No.: 128,531

[22] Filed: Nov. 27, 1987

[30] Foreign Application Priority Data

May 28, 1987 [JP] Japan 62-21494
[52] U.S. Cl. D14/129
[58] Field of Search D14/125-134, D14/113; 358/236, 254, 255; 312/7.2

[56] References Cited

U.S. PATENT DOCUMENTS

- D. 258,286 2/1981 Ishida et al. D14/129
D. 281,161 10/1985 Uematsu et al. D14/126
D. 289,398 4/1987 Chuboff et al. D14/126
D. 296,552 7/1988 Shindo D14/131
D. 298,322 11/1988 Shim D14/129

OTHER PUBLICATIONS

Dealerscope Merchandising, Aug. 1987, p. 48, top left-RCA Dimensia Color TV.
Video Review, Nov. 1987, p. 66, top left-Proton Monitor/Receiver.
VICTOR Catalog Published Jul. 22, 1986 for Model AV-C21 Color TV Monitor.

Primary Examiner—Bernard Ansher
Assistant Examiner—Theodore M. Shooman
Attorney, Agent, or Firm—Sughrue, Mion, Zinn, Macpeak & Seas

[57] CLAIM

The ornamental design for a combined video cassette recorder and color TV monitor, as shown.

DESCRIPTION

FIG. 1 is a front, top and right side perspective view of a combined video cassette recorder and color TV monitor showing our new design;
FIG. 2 is a front elevational view thereof;
FIG. 3 is a rear elevational view thereof;
FIG. 4 is a top plan view thereof;
FIG. 5 is a bottom plan view thereof;
FIG. 6 is a left side elevational view thereof; and
FIG. 7 is a right side elevational view thereof.

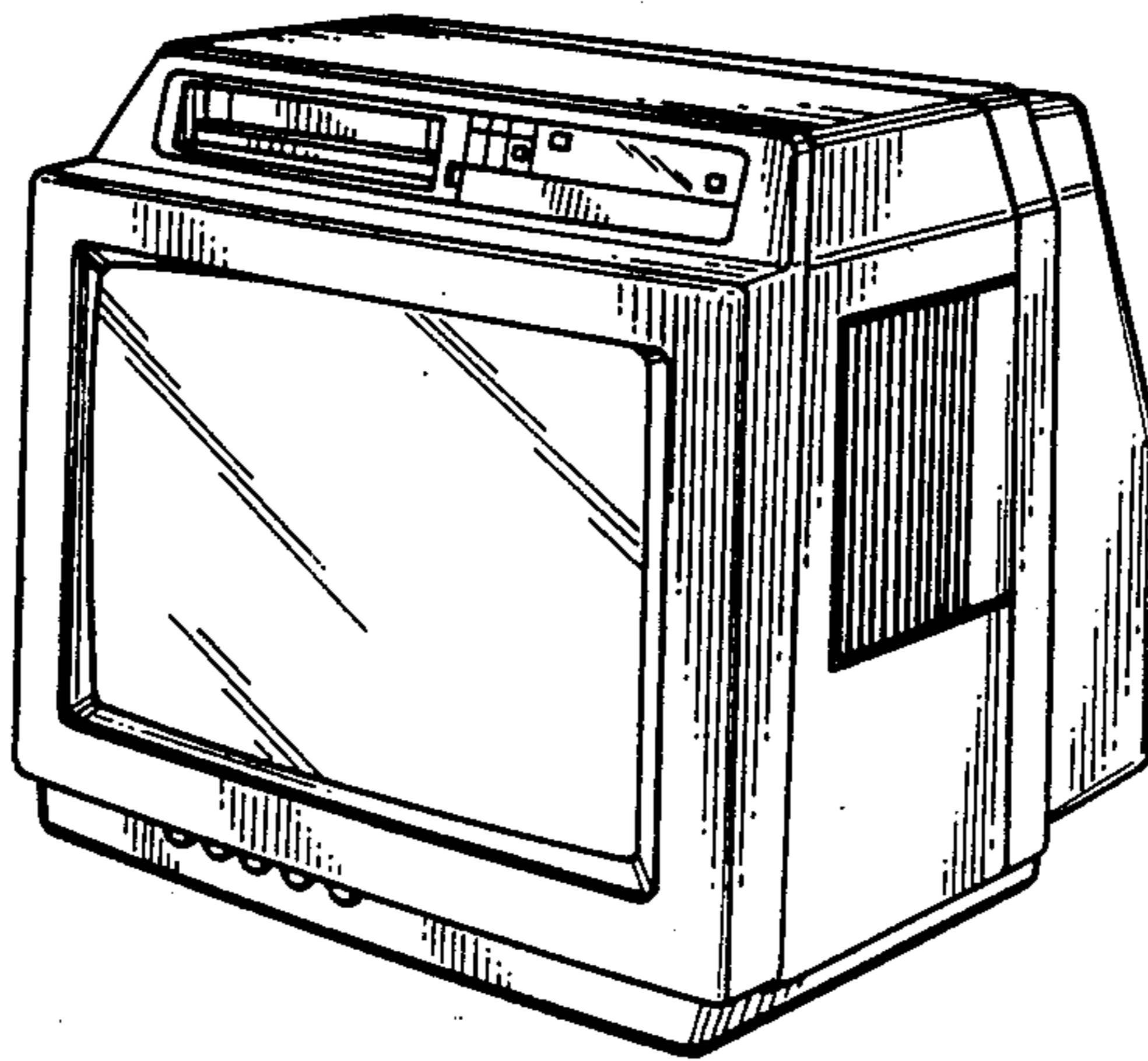


Fig. 1

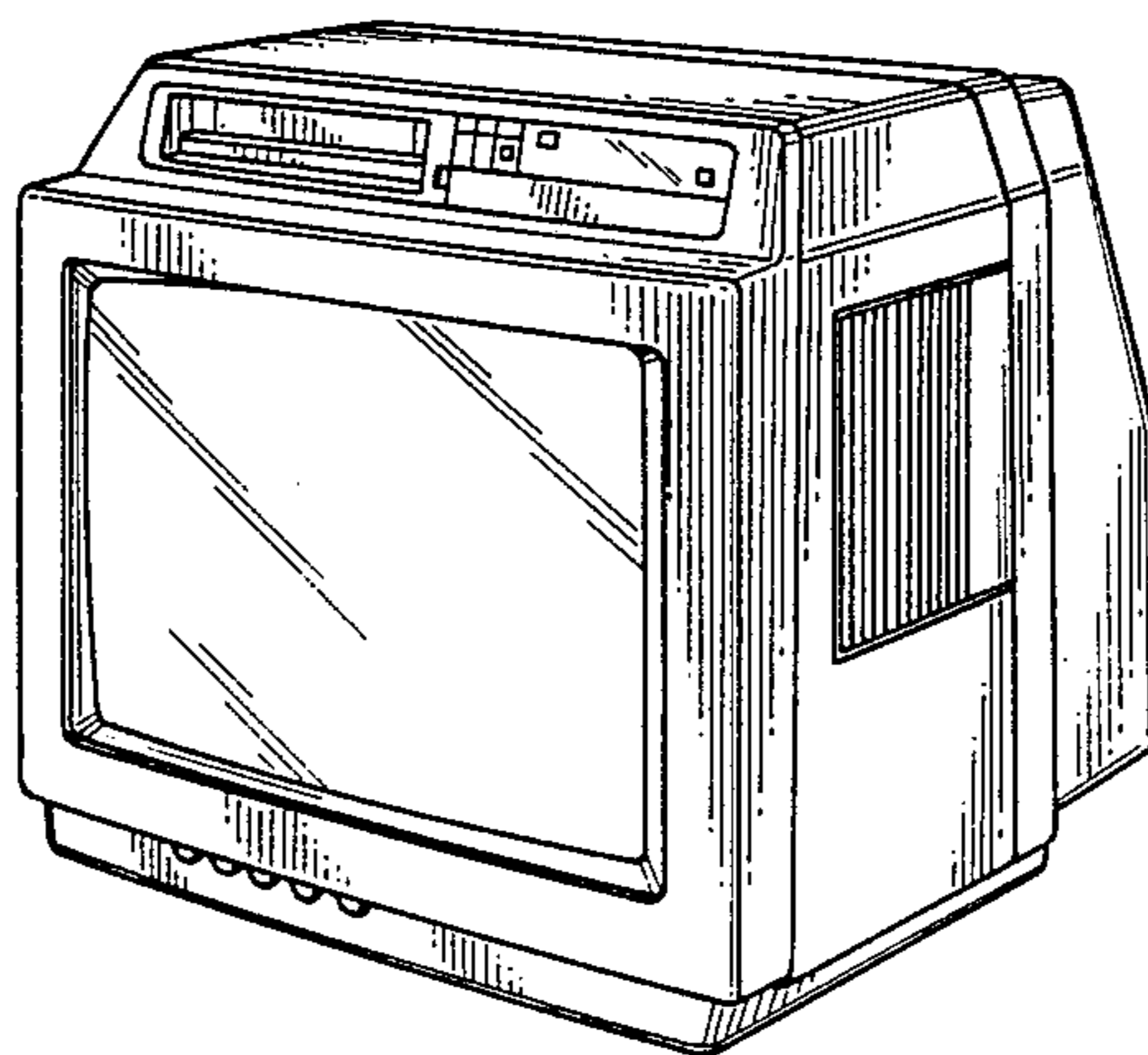


Fig. 2

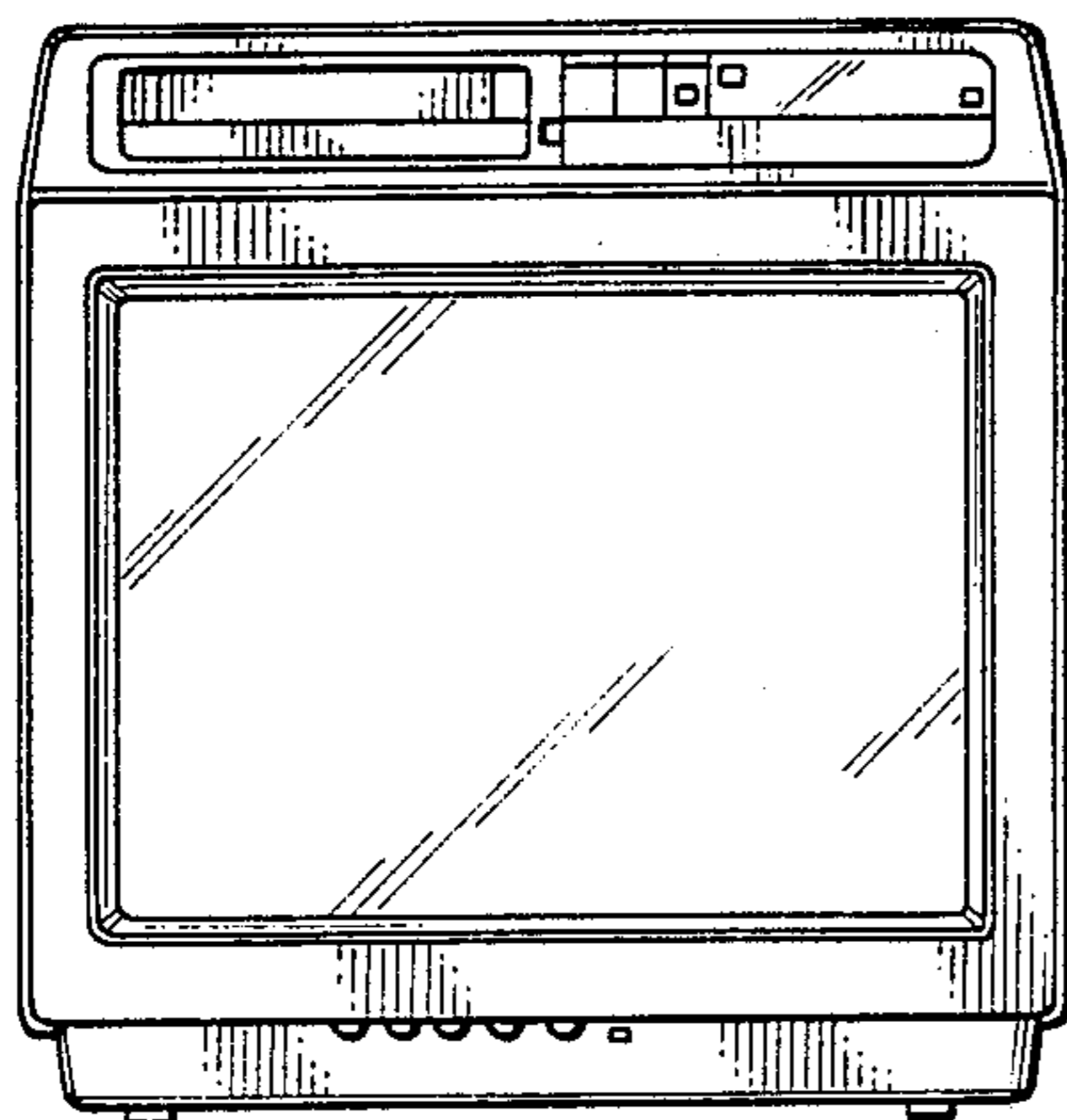


Fig. 3

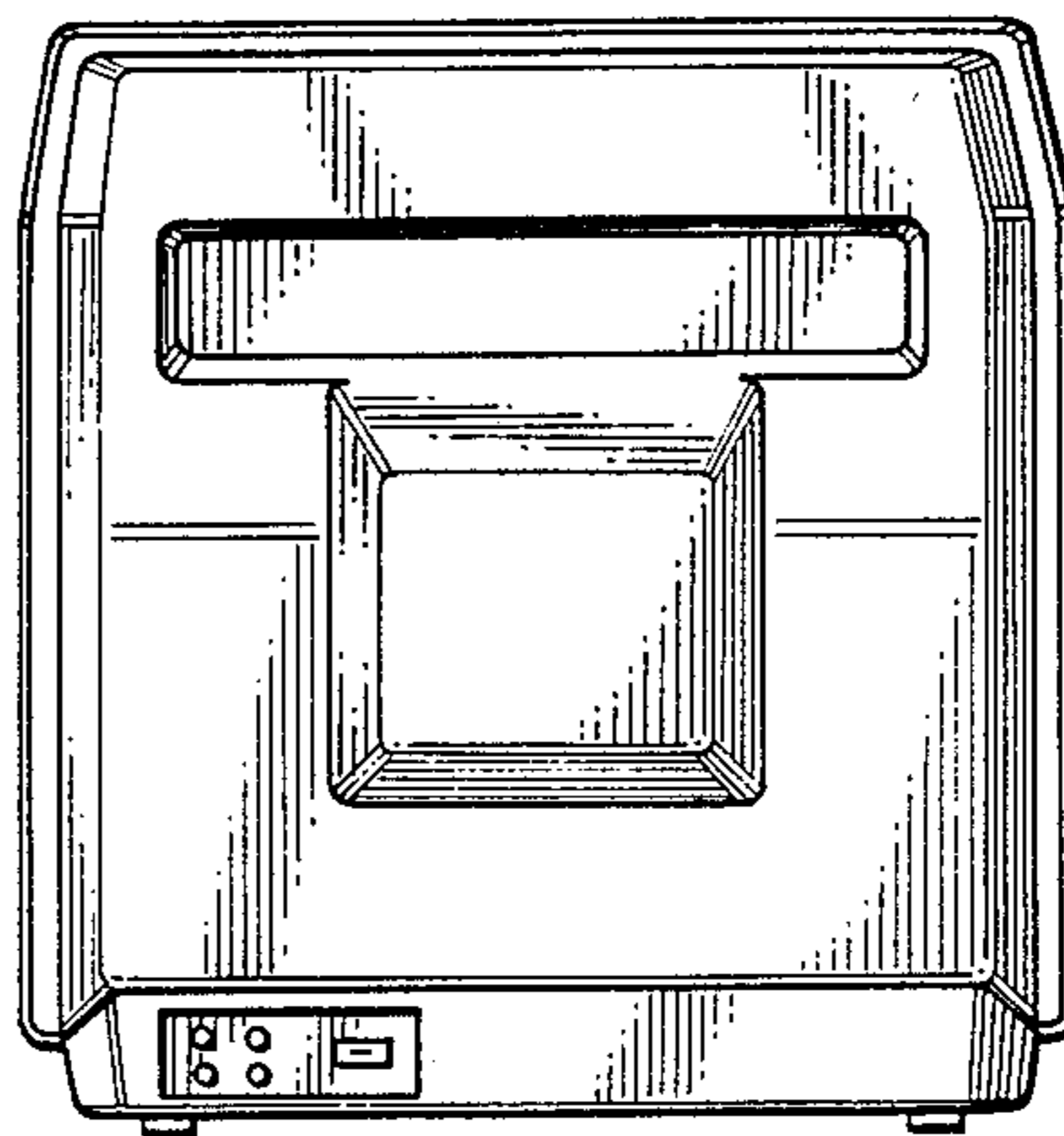


Fig. 4

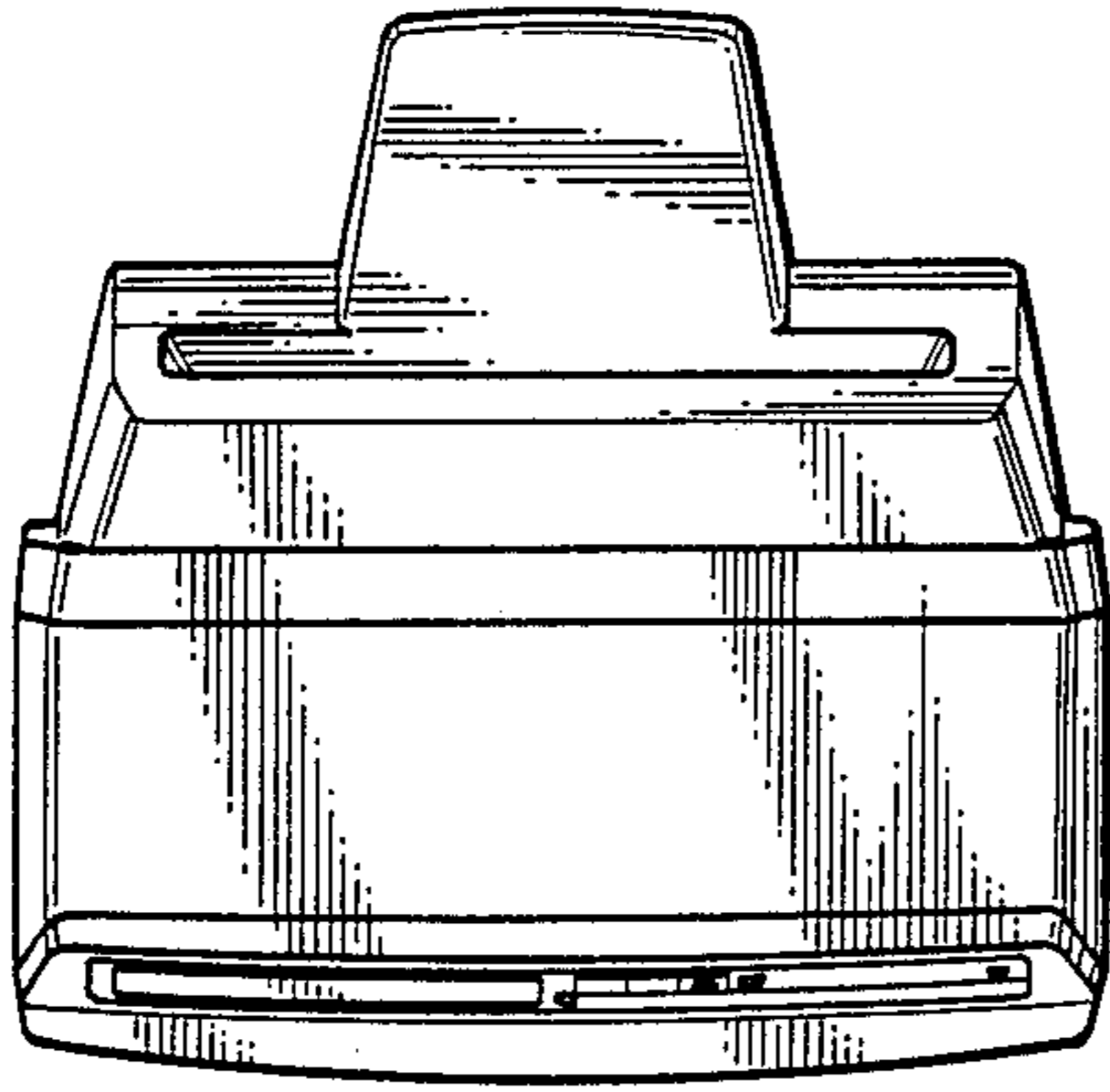


Fig. 5

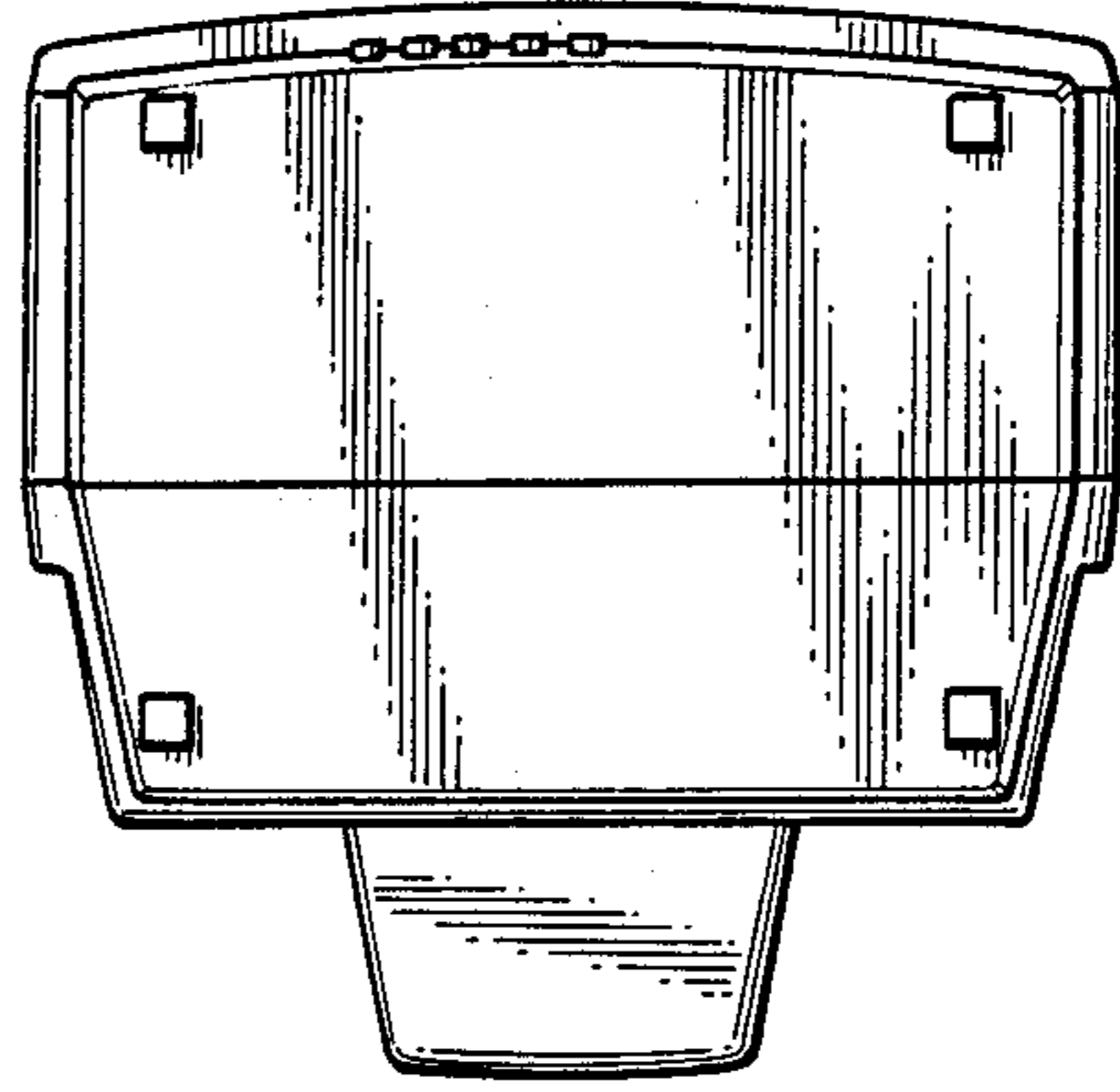


Fig. 6

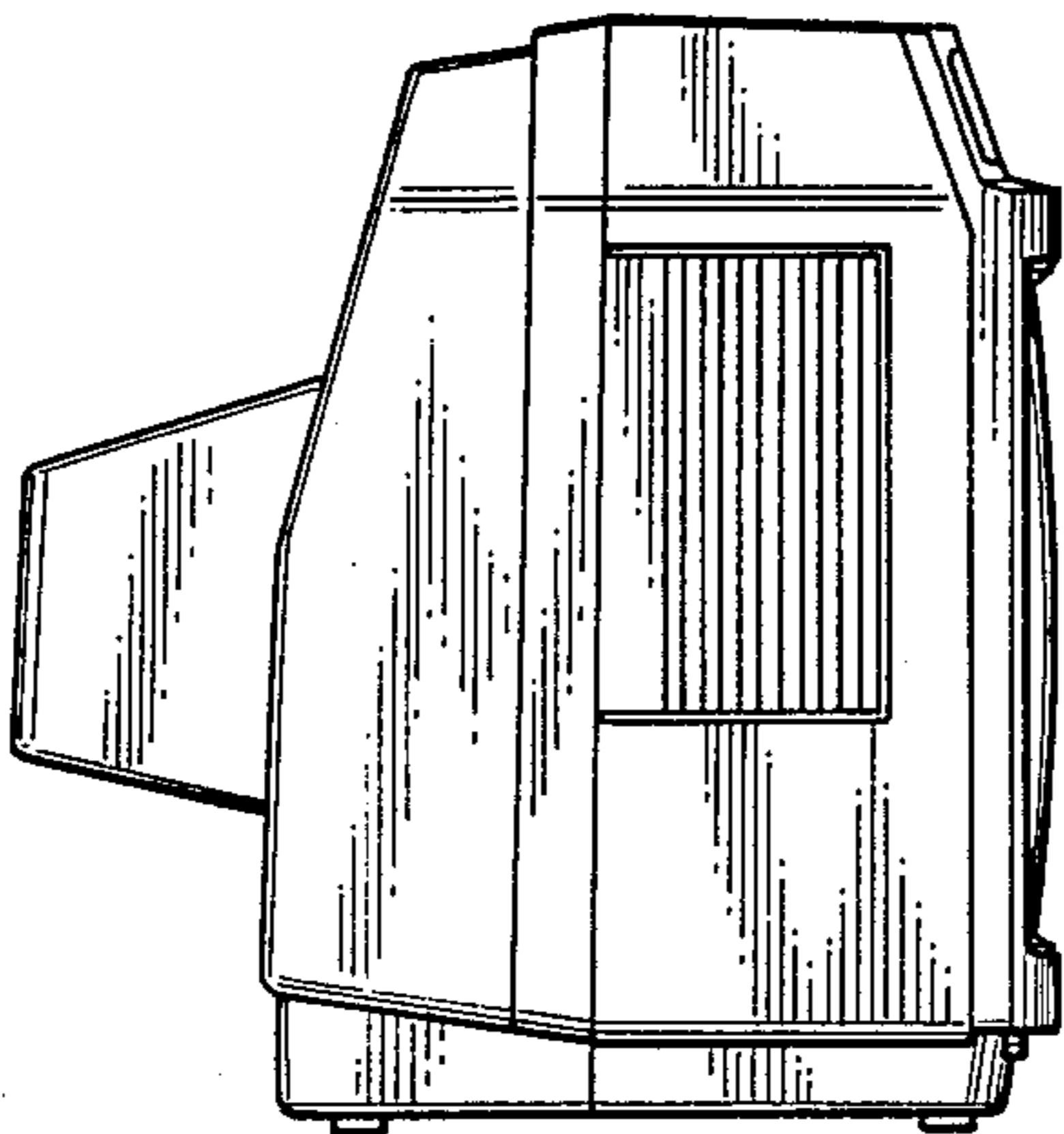


Fig. 7

