

# United States Patent [19]

Beedy

[11] Patent Number: **Des. 306,850**

[45] Date of Patent: **\*\* Mar. 27, 1990**

[54] **VEHICLE WINDSHIELD SUN BARRIER**

[75] Inventor: **John Beedy, Sacramento, Calif.**

[73] Assignee: **M. Kim Nelson, El Dorado Hills, Calif.**

[\*\*] Term: **14 Years**

[21] Appl. No.: **59,761**

[22] Filed: **Jun. 8, 1987**

[52] U.S. Cl. .... **D12/191**

[58] Field of Search ..... **D12/191; 296/97.1, 97.2, 296/97.4, 97.5, 97.6, 97.7, 98.8, 97.9, 95.1; 160/370.2, DIG. 3, 84.1**

[56] **References Cited**

**U.S. PATENT DOCUMENTS**

D. 236,868	9/1975	Levy	.....	D6/139
D. 236,869	9/1975	Levy	.....	D6/139
D. 236,870	9/1975	Levy	.....	D6/139
D. 237,663	11/1975	Levy	.....	D6/139
D. 293,428	12/1987	Watts	.....	D12/191
4,202,396	5/1980	Levy	.....	160/107

4,652,039	3/1987	Richards	.....	160/84.1
4,671,334	6/1987	Yadegar et al.	.....	160/370.2
4,727,920	3/1988	Siegler	.....	160/84.1

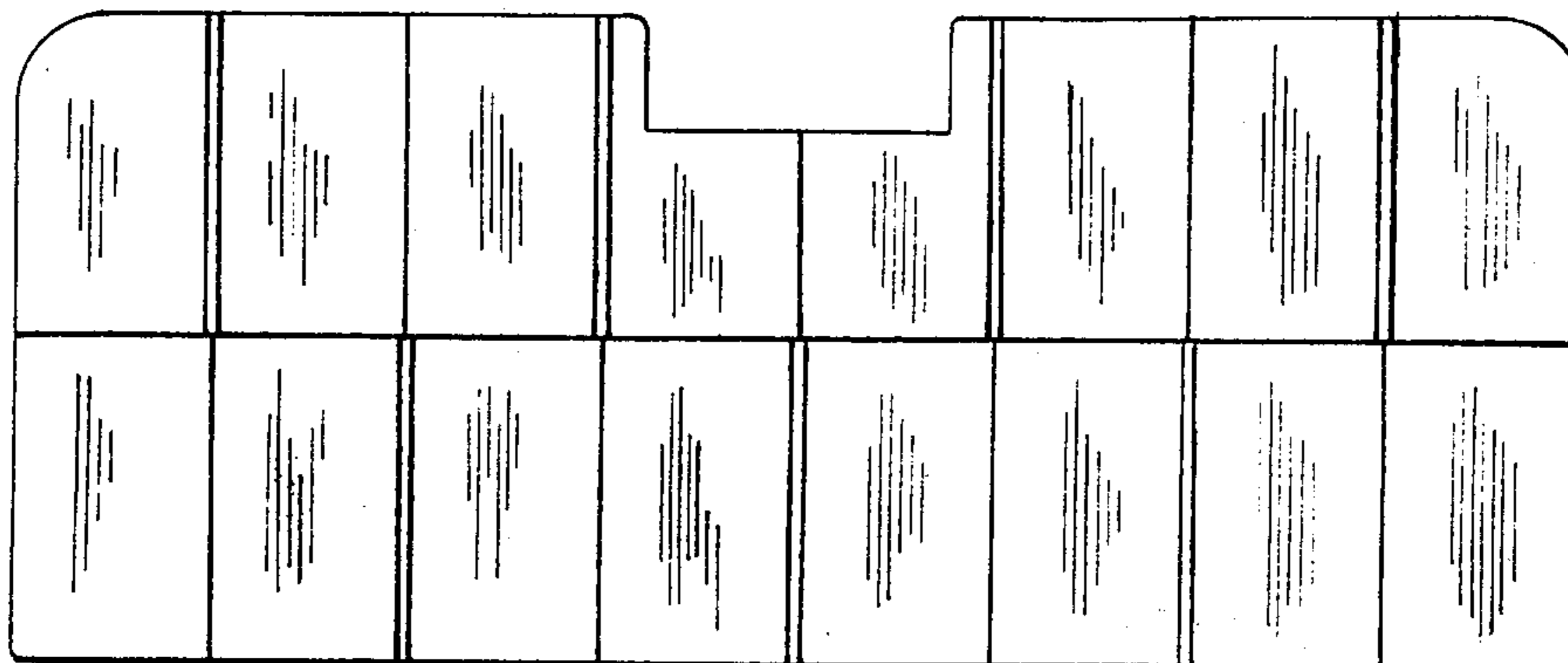
*Primary Examiner*—James M. Gandy  
*Attorney, Agent, or Firm*—Leonard Bloom

[57] **CLAIM**

The ornamental design for a vehicle windshield sun barrier, as shown and described.

**DESCRIPTION**

FIG. 1 is a side elevation view of a vehicle windshield sun barrier showing my new design, the opposite side being a mirror image thereof;  
FIG. 2 is an end elevation view thereof;  
FIG. 3 is a top plan view thereof;  
FIG. 4 is a perspective view thereof with the top panel in partially folded condition;  
FIG. 5 is a perspective view thereof with top panel folded and the transverse panels in partially folded condition; and  
FIG. 6 is an enlarged perspective view thereof in folded condition.



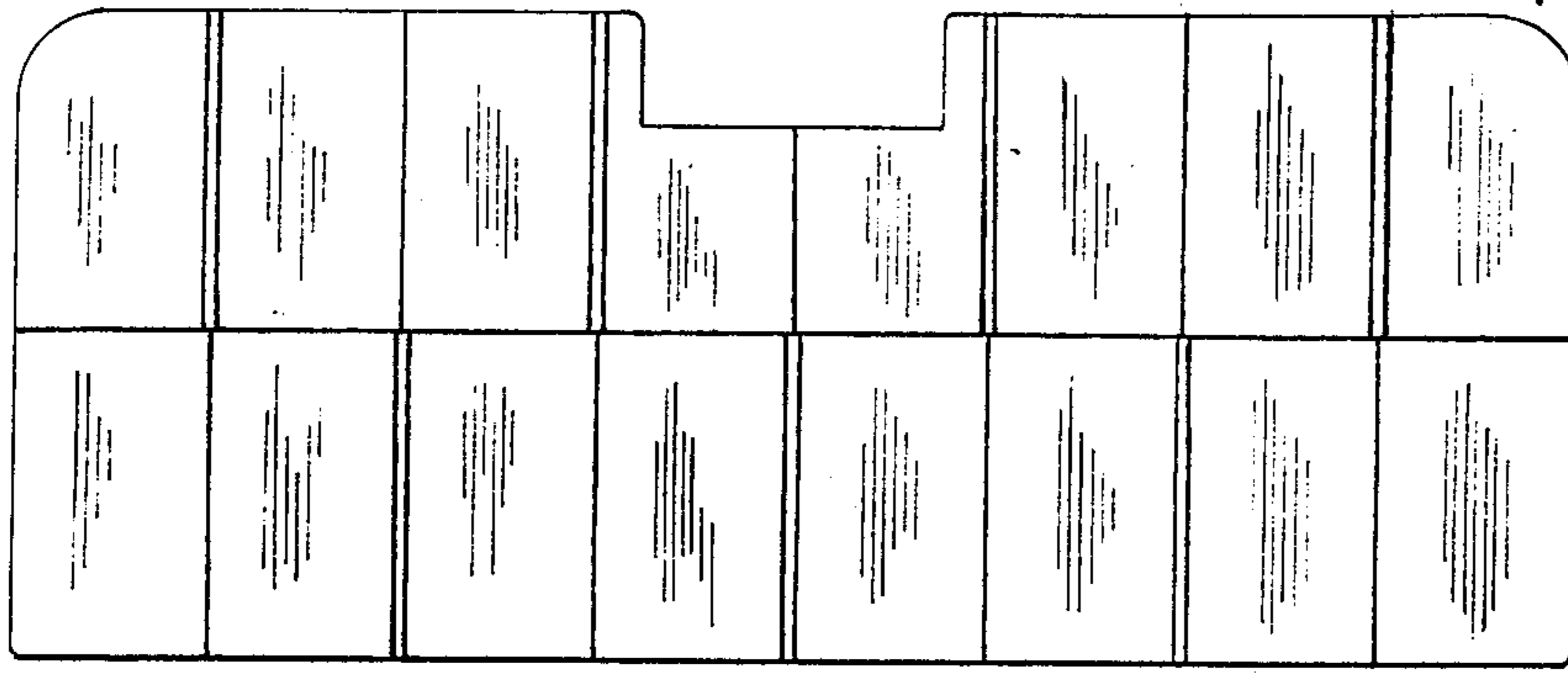


FIG. 1



FIG. 2



FIG. 3

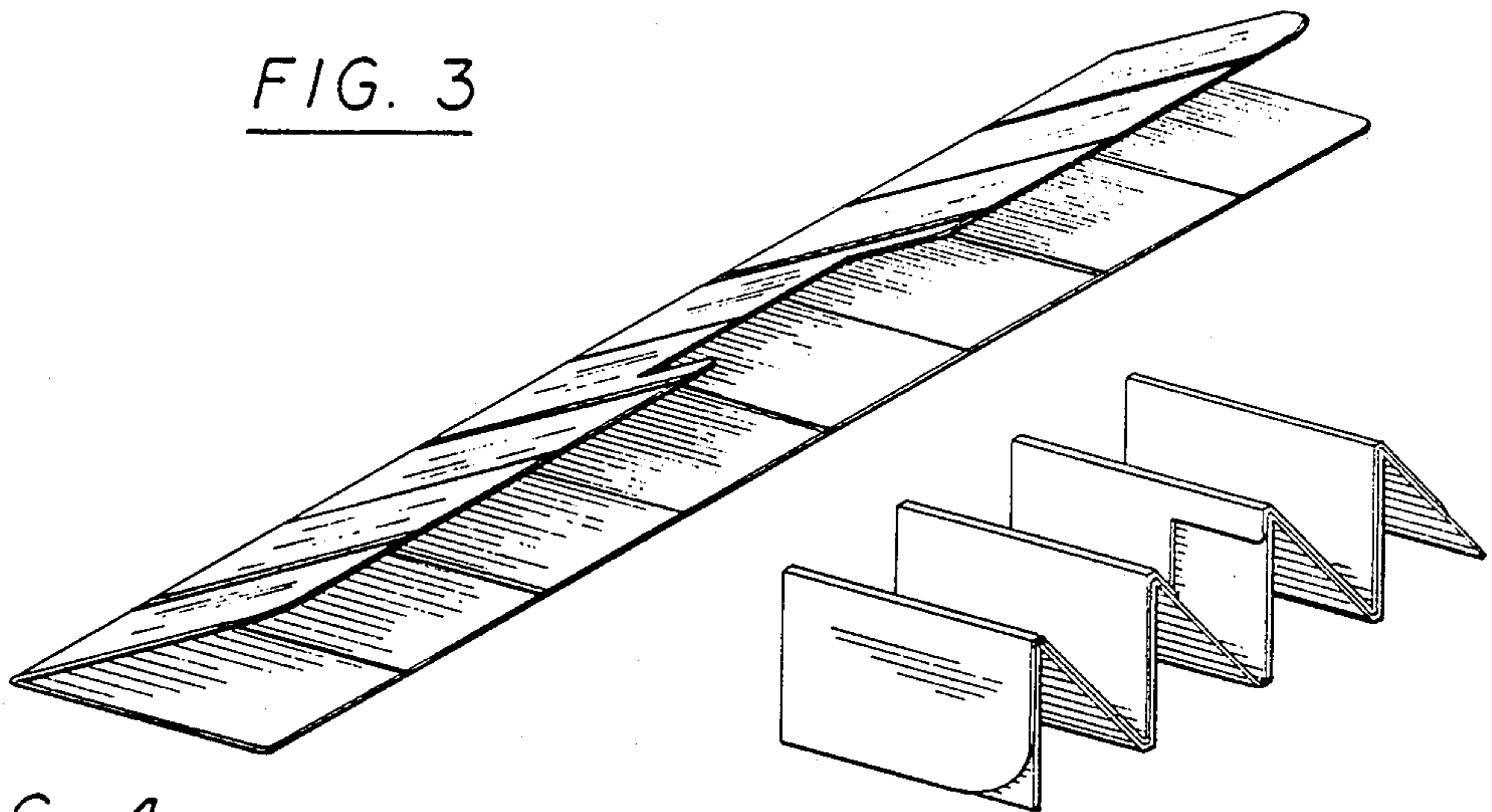


FIG. 4

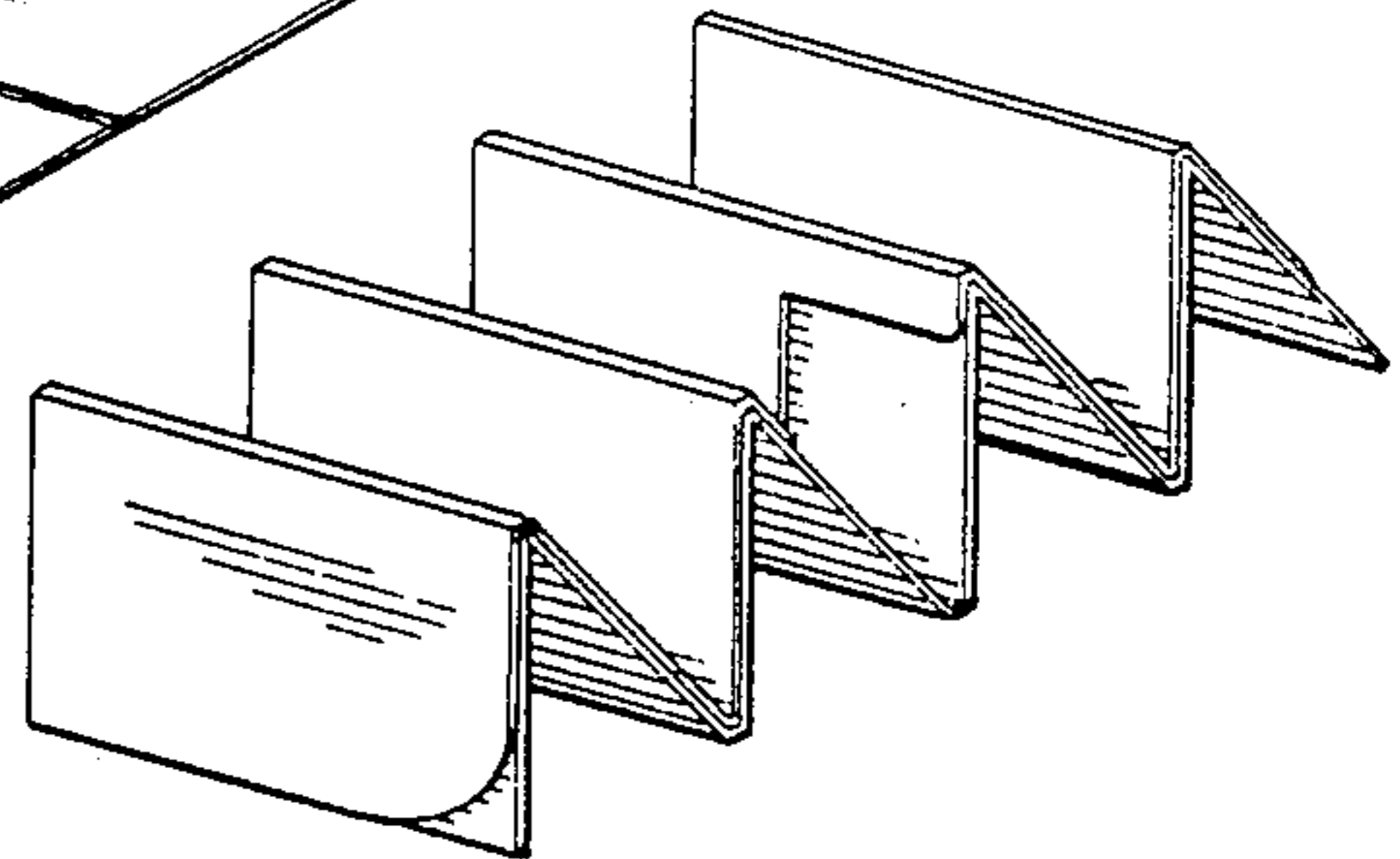


FIG. 5

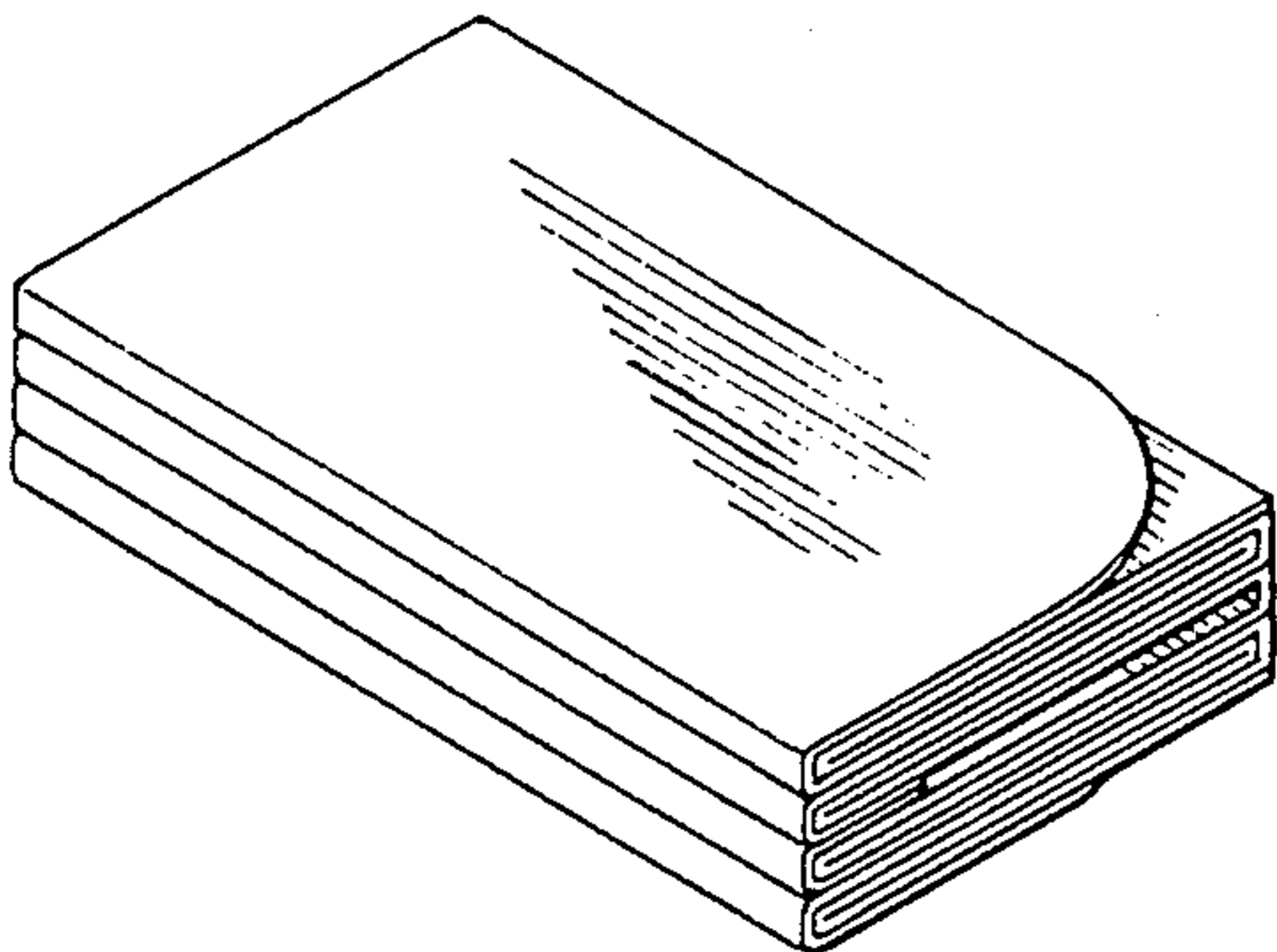


FIG. 6