

[54] **FOOD AND BEVERAGE BOX**

[76] **Inventor: Homayun Golkar, 301 S. Nutwood, Anaheim, Calif. 92802**

[\*\*] **Term: 14 Years**

[21] **Appl. No.: 90,591**

[22] **Filed: Aug. 28, 1987**

[52] **U.S. Cl. .... D9/418**

[58] **Field of Search ..... D9/418, 431, 415, 443, D9/346; 206/621.1, 147, 181, 188, 199, 446, 427, 428, 431, 562, 565, 822, 200; 229/52 B, 52 BC, 904, 116**

2,935,355	5/1960	Then .....	206/431 X
3,690,315	9/1972	Chittenden et al. ....	206/438 X
4,029,207	6/1977	Gordon .....	229/52 B X
4,546,914	10/1985	Roccaforte .....	229/52 B
4,567,070	1/1986	Karass .....	229/52 B

*Primary Examiner*—B. J. Bullock  
*Assistant Examiner*—Prabhakar Deshmukh  
*Attorney, Agent, or Firm*—Richard F. Carr; Richard L. Gausewitz; Allan Rothenberg

[57] **CLAIM**

The ornamental design for a food and beverage box, as shown and described.

**DESCRIPTION**

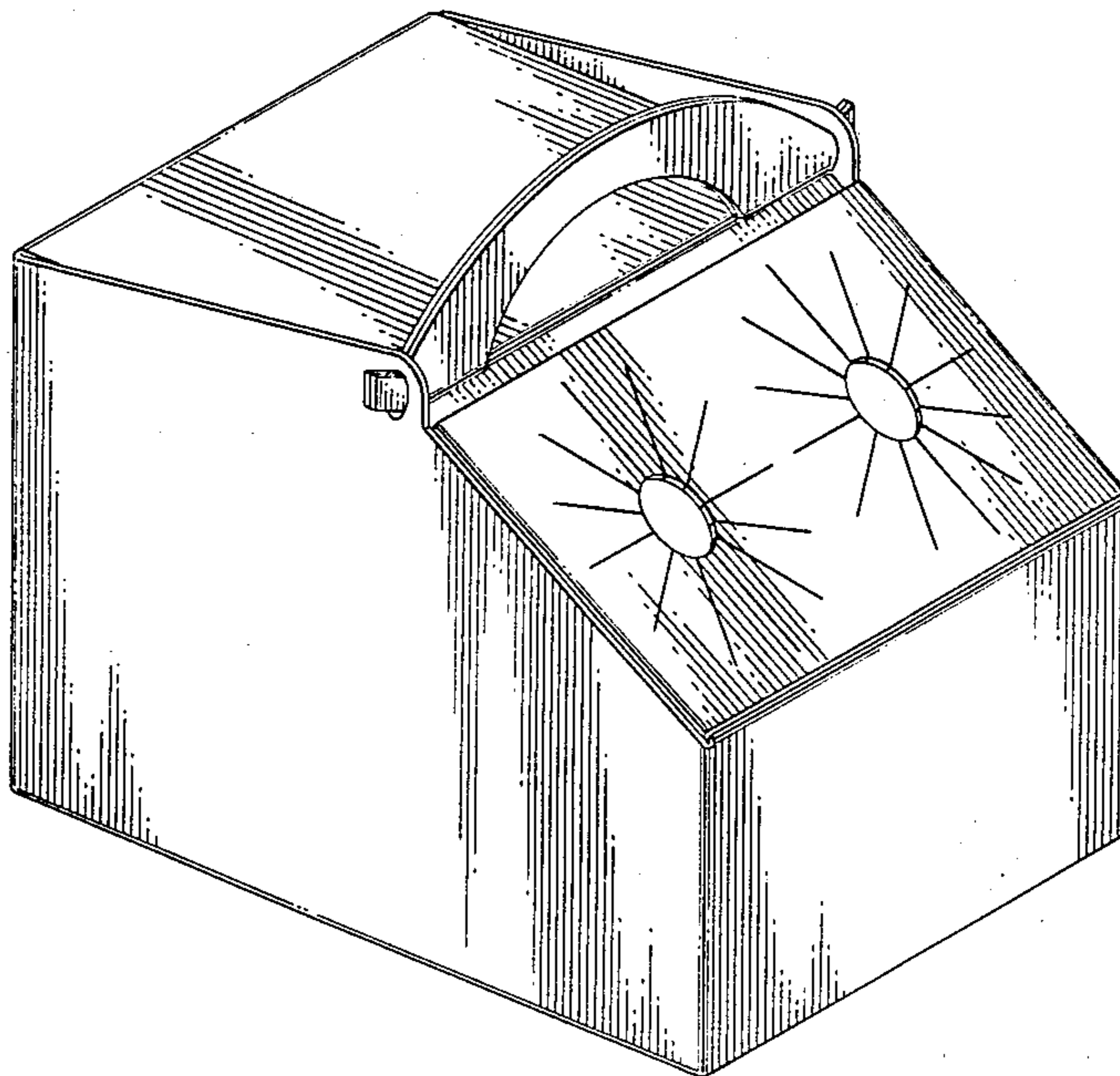
FIG. 1 is a front perspective view of a food and beverage box showing my new design; and FIG. 2 is a rear side perspective view thereof; covering undisclosed sides in FIG. 1.

The undisclosed bottom is plain and unornamented.

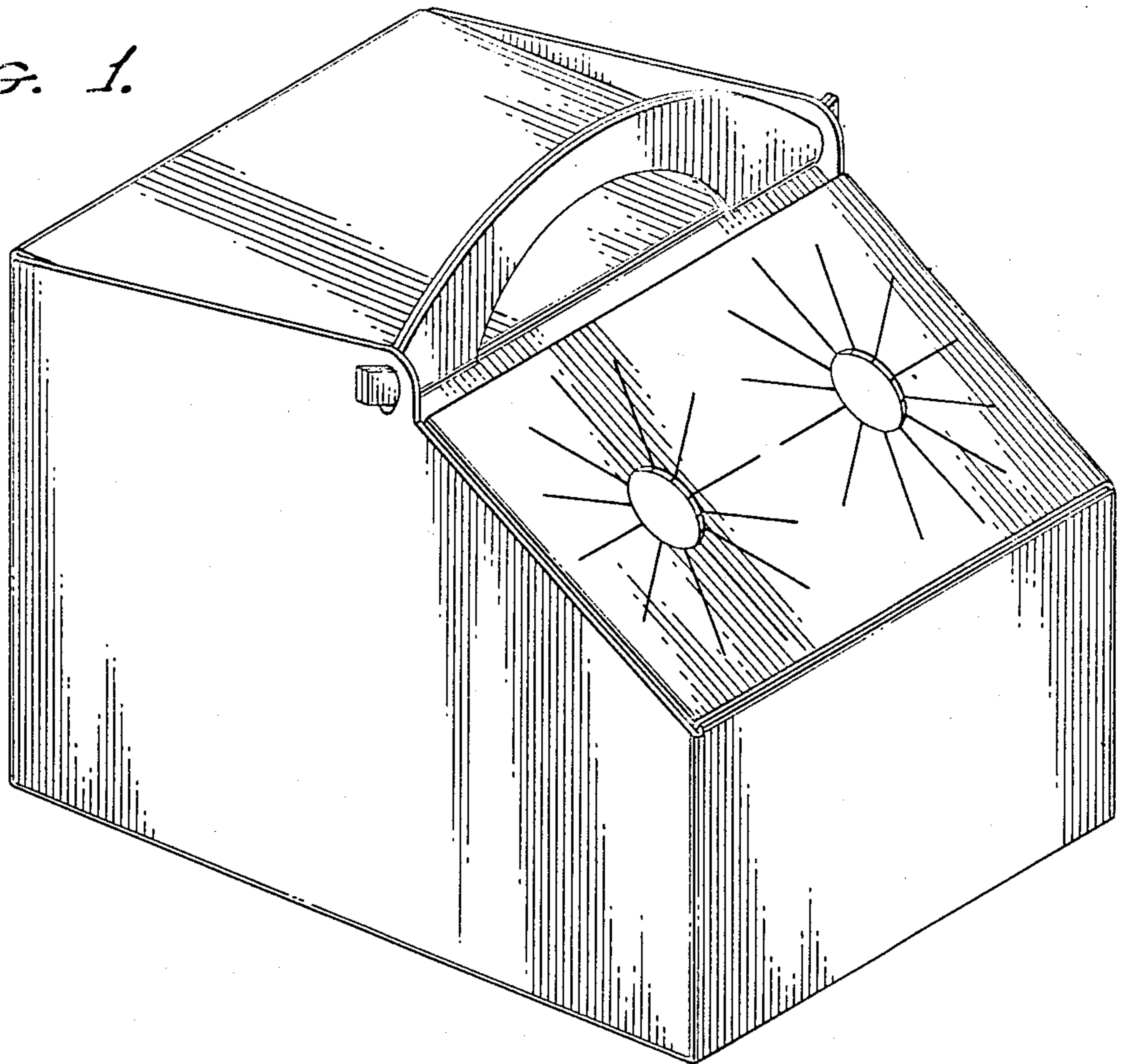
[56] **References Cited**

**U.S. PATENT DOCUMENTS**

D. 259,175	5/1981	Austin, Jr. ....	D9/431
2,290,971	7/1942	King .....	206/428
2,615,605	10/1952	Wahlbom .....	206/199 X



*FIG. 1.*



*FIG. 2.*

